



US00D714886S

(12) **United States Design Patent**  
**Matos et al.**

(10) **Patent No.:** **US D714,886 S**

(45) **Date of Patent:** **\*\* Oct. 7, 2014**

(54) **TOY FIGURINE PART**

(71) Applicant: **MEGA Brands Inc.**, Montreal (CA)

(72) Inventors: **Muryllo Cardoso Figueiredo de Matos**,  
Lachine (CA); **Philippe Soucie**,  
Montreal (CA)

(73) Assignee: **MEGA Brands Inc.**, Montreal, Quebec  
(CA)

(\*\*) Term: **14 Years**

(21) Appl. No.: **29/456,172**

(22) Filed: **May 29, 2013**

(51) **LOC (10) Cl.** ..... **21-01**

(52) **U.S. Cl.**

CPC ..... **A63H 3/00** (2013.01)

USPC ..... **D21/621**

(58) **Field of Classification Search**

CPC ..... **A63H 3/00**

USPC ..... **D21/621, 623–625, 628, 630–640,**

**D21/643–649, 659; 446/268, 360, 361, 376,**

**446/379, 382–384; D6/595–601;**

**D20/31–33**

See application file for complete search history.

(56) **References Cited**

**U.S. PATENT DOCUMENTS**

|           |     |         |                     |         |
|-----------|-----|---------|---------------------|---------|
| 3,874,113 | A * | 4/1975  | Beck                | 446/378 |
| 3,938,277 | A * | 2/1976  | Goldfarb et al.     | 446/384 |
| 3,946,517 | A * | 3/1976  | Goldfarb et al.     | 446/383 |
| 3,995,395 | A   | 12/1976 | Rahmstorf           |         |
| 4,190,982 | A   | 3/1980  | Rahmstorf           |         |
| 4,205,482 | A * | 6/1980  | Christiansen et al. | 446/97  |
| 4,988,324 | A   | 1/1991  | Ryaa et al.         |         |
| 4,995,846 | A   | 2/1991  | Mariol              |         |
| 5,049,104 | A   | 9/1991  | Olsen               |         |
| 5,304,086 | A   | 4/1994  | Bolli et al.        |         |

|           |     |         |                  |         |
|-----------|-----|---------|------------------|---------|
| 5,628,669 | A   | 5/1997  | Hesse            |         |
| 5,645,463 | A   | 7/1997  | Olsen            |         |
| D404,441  | S * | 1/1999  | Tong             | D21/621 |
| 6,447,358 | B1  | 9/2002  | Mikkelsen et al. |         |
| 6,508,689 | B1  | 1/2003  | Mikkelsen et al. |         |
| 6,692,332 | B2  | 2/2004  | Jheow            |         |
| D510,606  | S   | 10/2005 | Paterson         |         |
| D510,753  | S   | 10/2005 | Paterson         |         |
| D515,634  | S   | 2/2006  | Paterson         |         |
| D688,334  | S * | 8/2013  | Stosiak et al.   | D21/659 |
| D688,335  | S * | 8/2013  | Stosiak et al.   | D21/659 |

**FOREIGN PATENT DOCUMENTS**

JP 2007-050064 1/2007

\* cited by examiner

*Primary Examiner* — Zenia Bennett

(74) *Attorney, Agent, or Firm* — Plumsea Law Group, LLC

(57) **CLAIM**

We claim the ornamental design for a toy figurine part, as shown and described.

**DESCRIPTION**

FIG. 1 is a top perspective view of a toy figurine part showing the new design;

FIG. 2 is a front elevational view of the toy figurine part of FIG. 1;

FIG. 3 is a rear elevational view of the toy figurine part of FIG. 1;

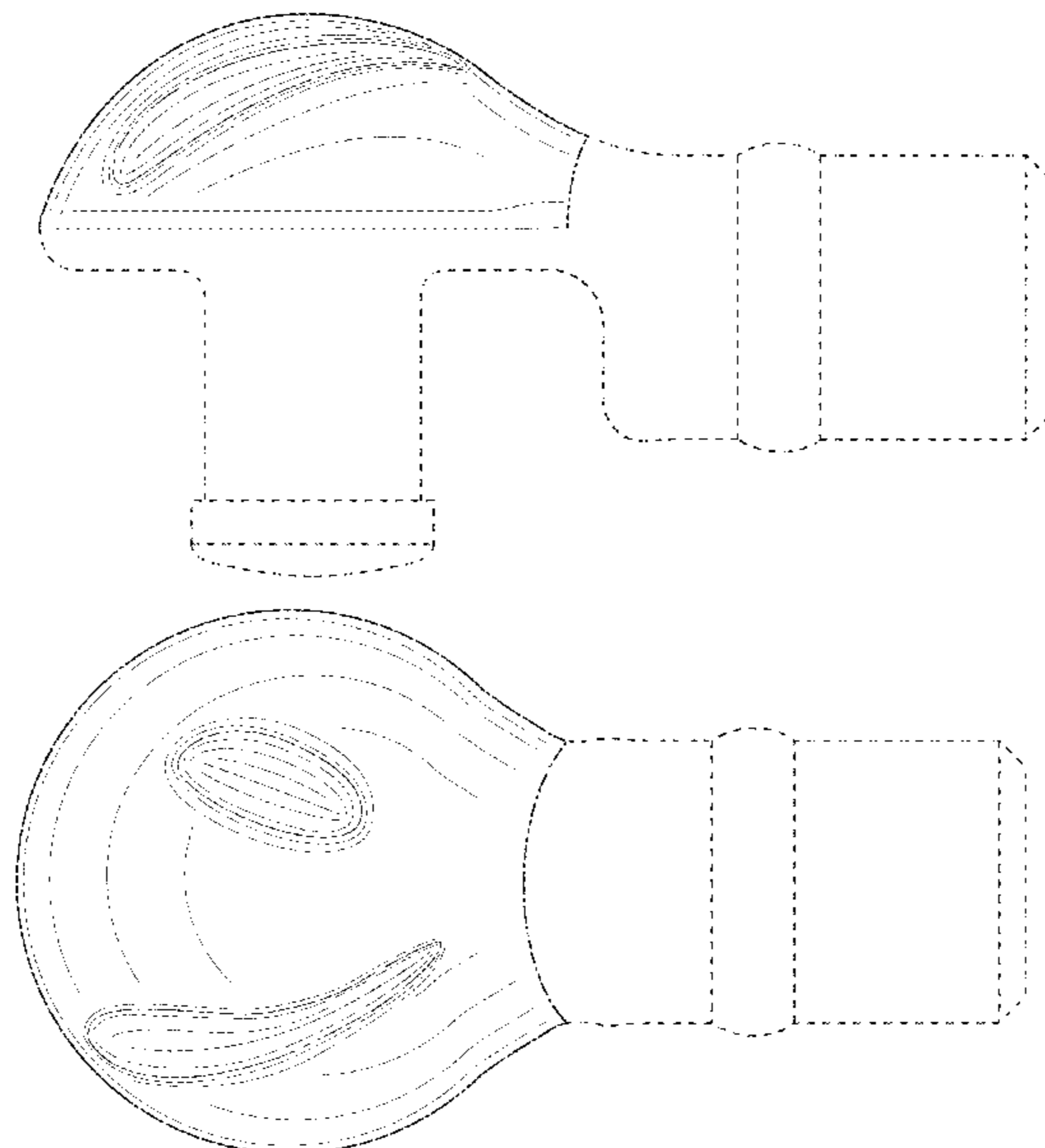
FIG. 4 is a right side elevational view of the toy figurine part of FIG. 1;

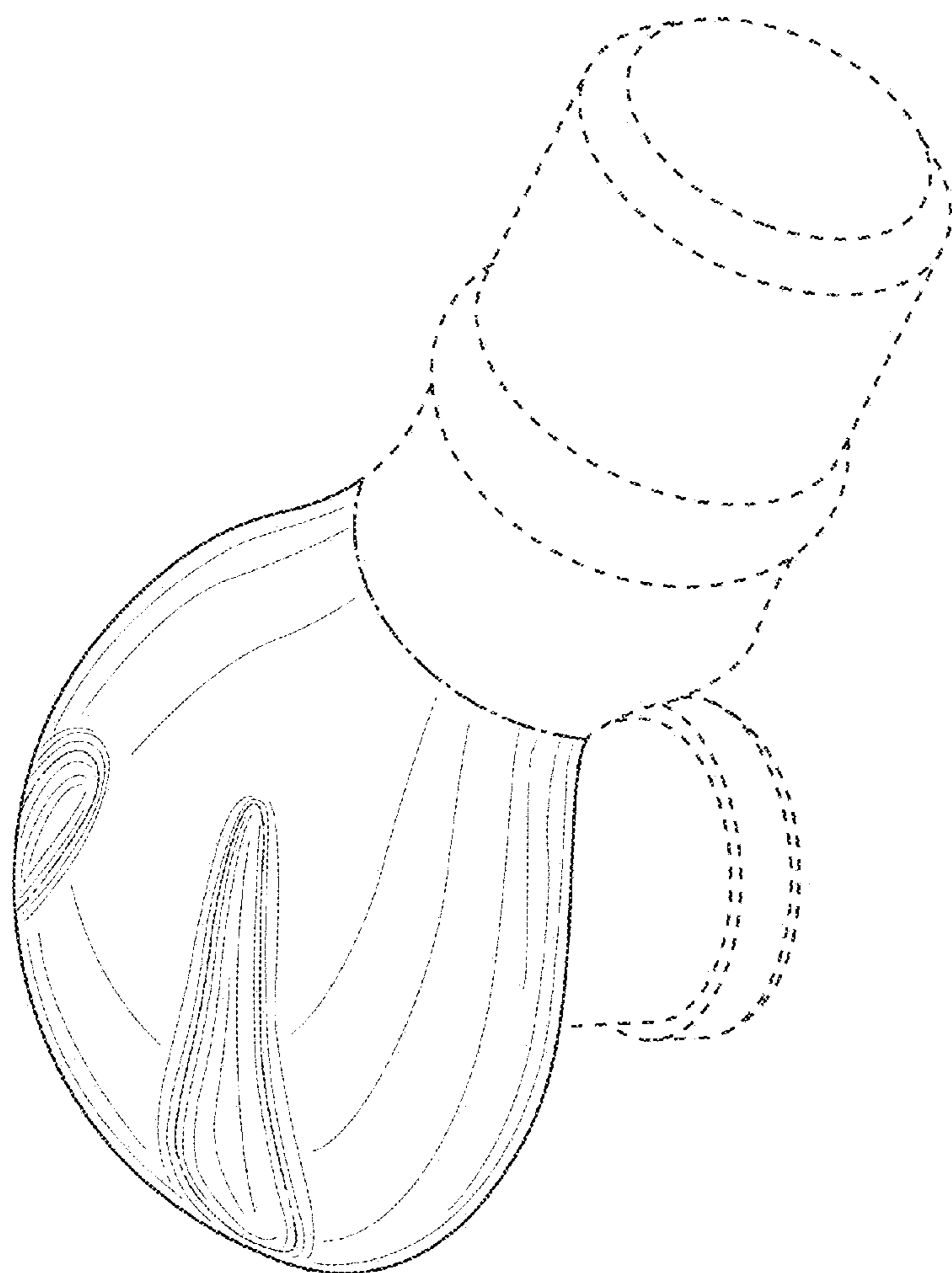
FIG. 5 is a left side elevational view of the toy figurine part of FIG. 1;

FIG. 6 is a top plan view of the toy figurine part of FIG. 1; and,

FIG. 7 is a bottom plan view of the toy figurine part of FIG. 1. The broken lines and unshaded areas form no part of the claimed design.

**1 Claim, 6 Drawing Sheets**





**FIG. 1**

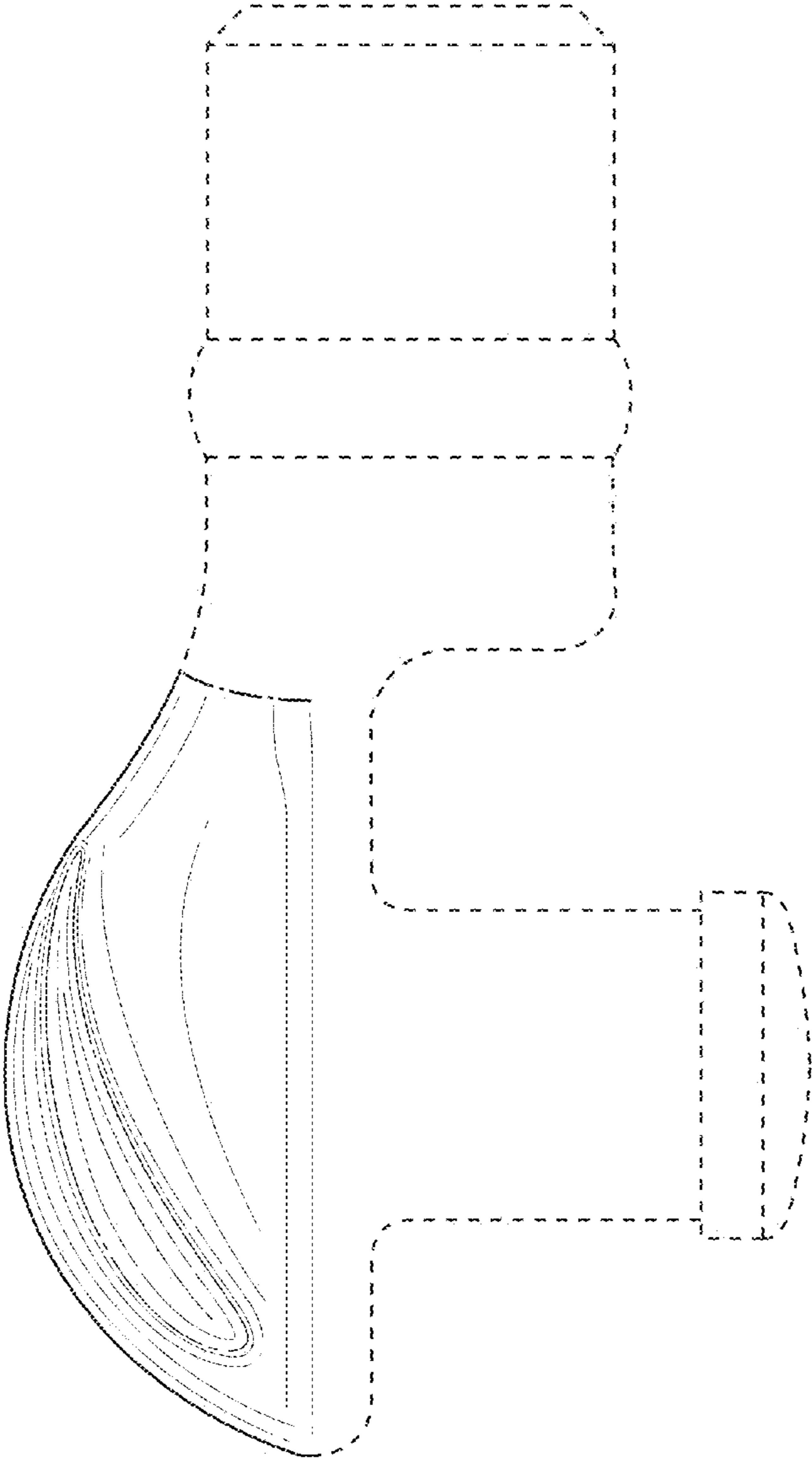
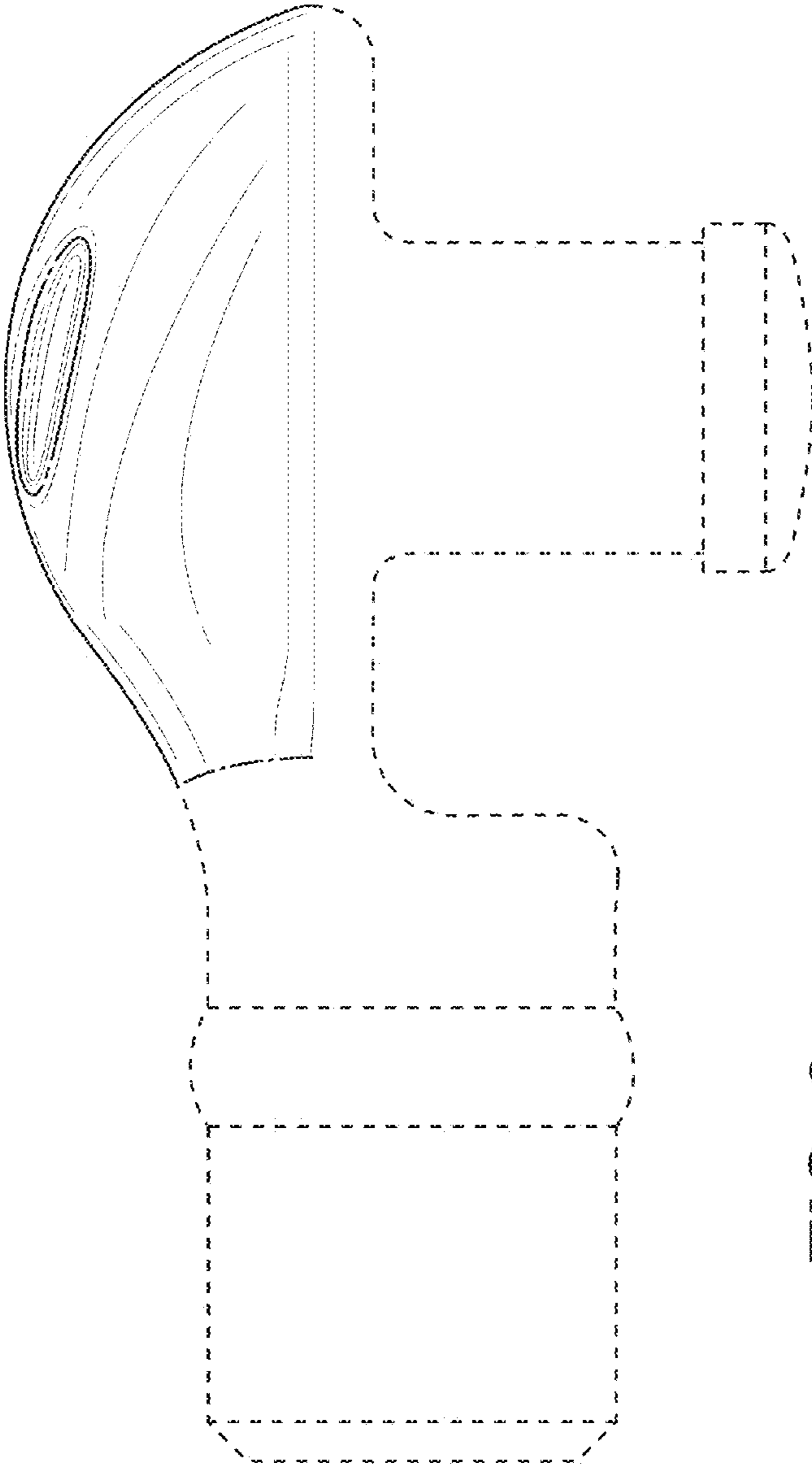
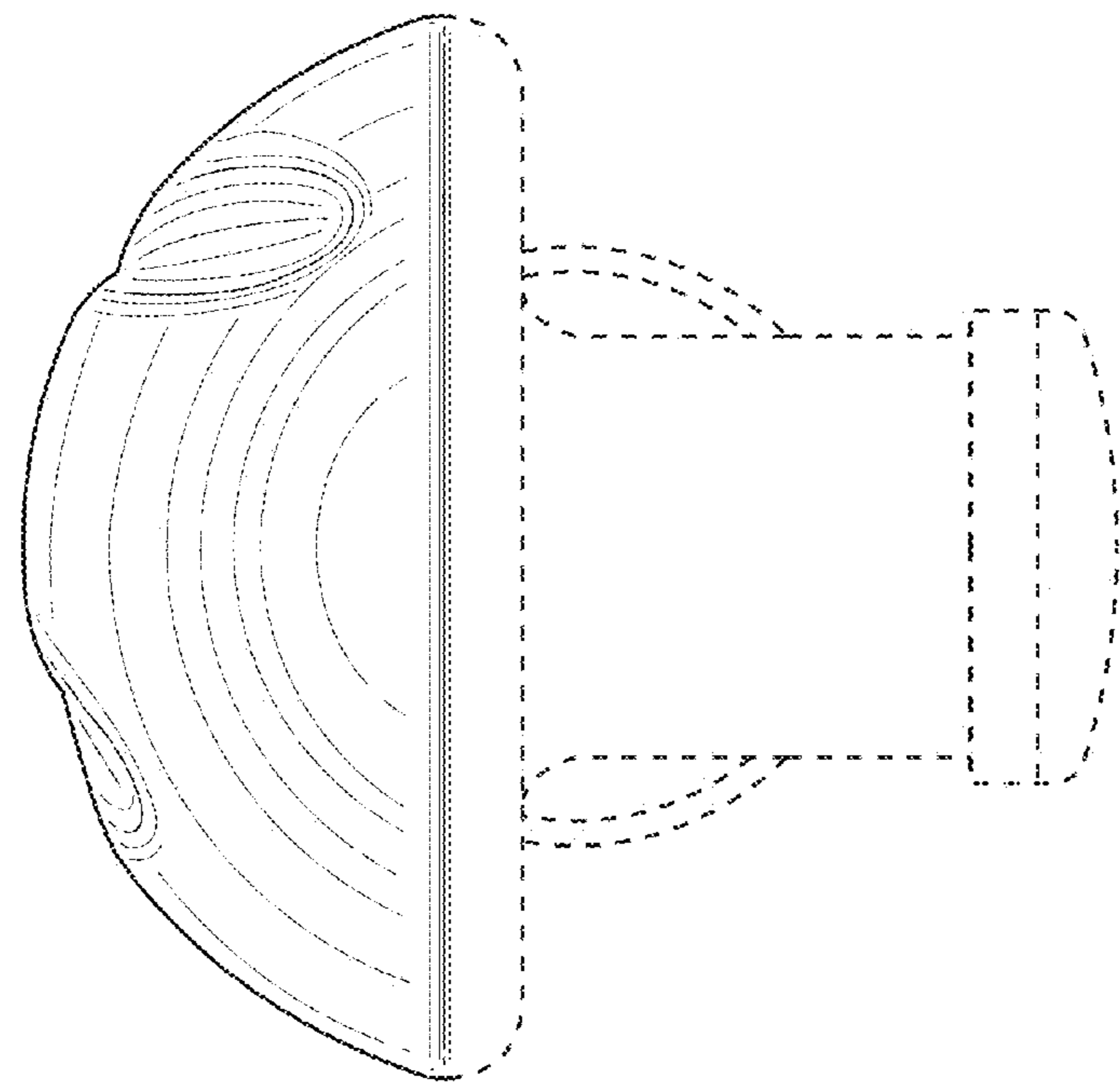


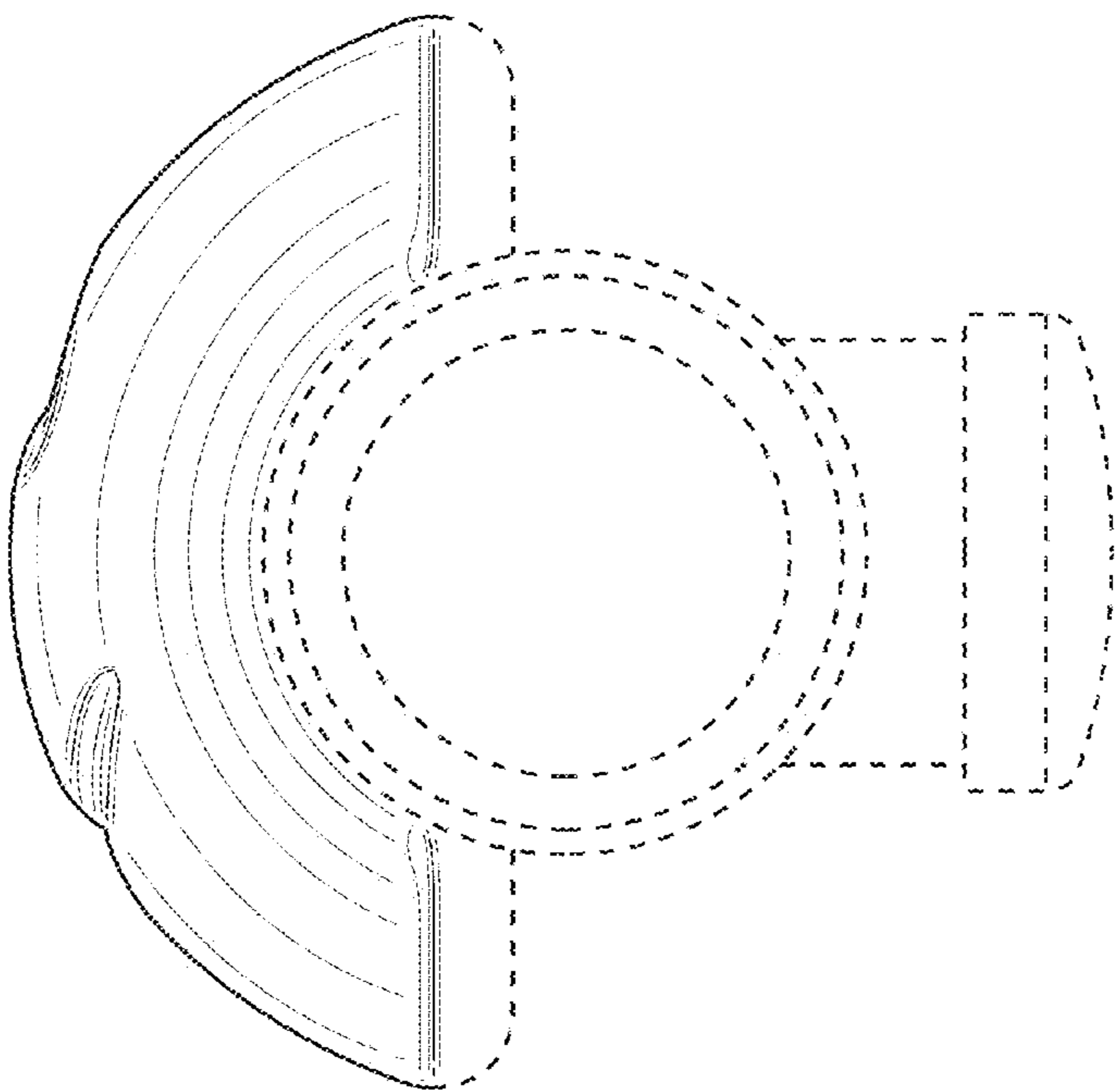
FIG. 2



**FIG. 3**



**FIG. 5**



**FIG. 4**

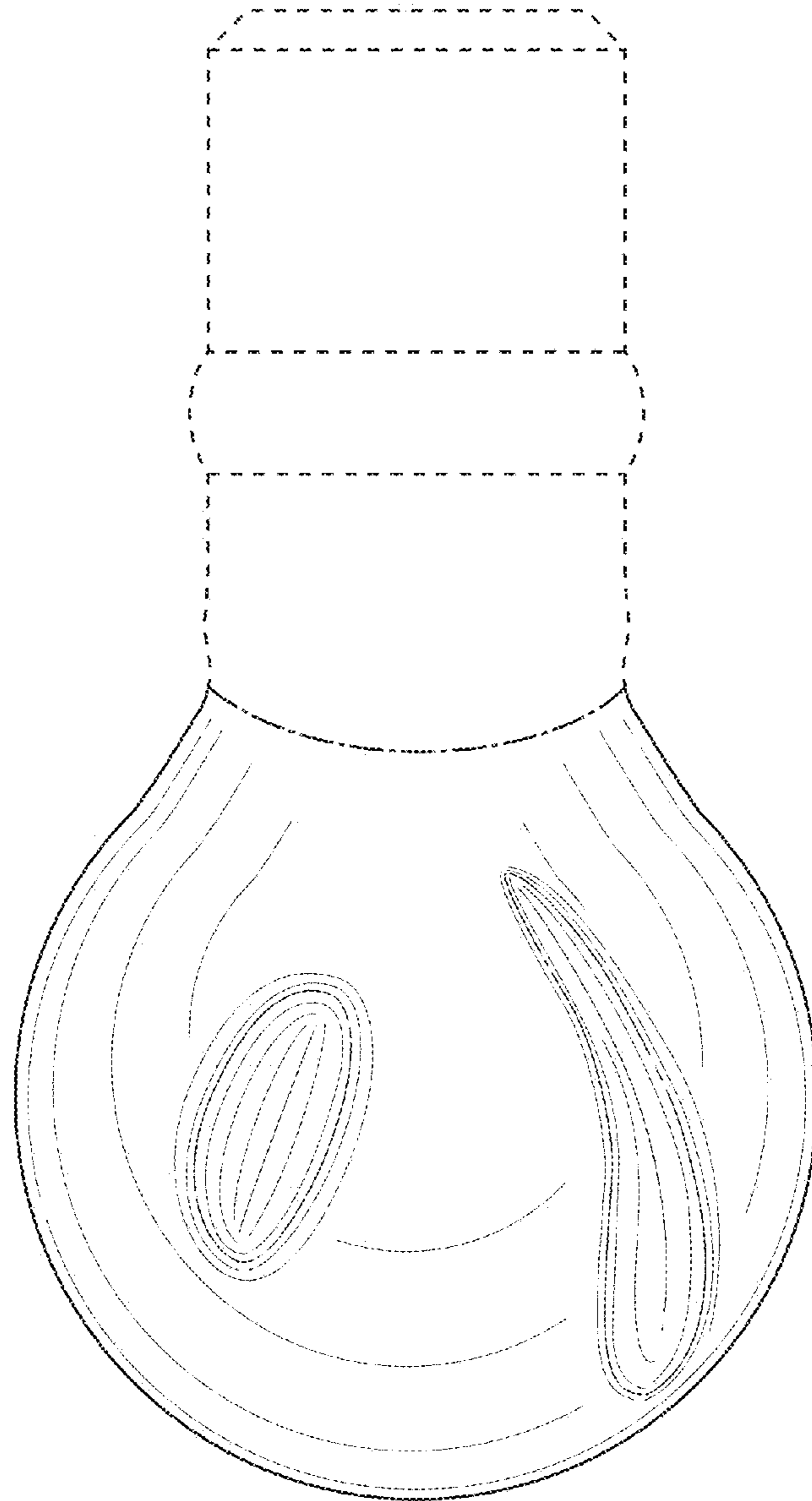
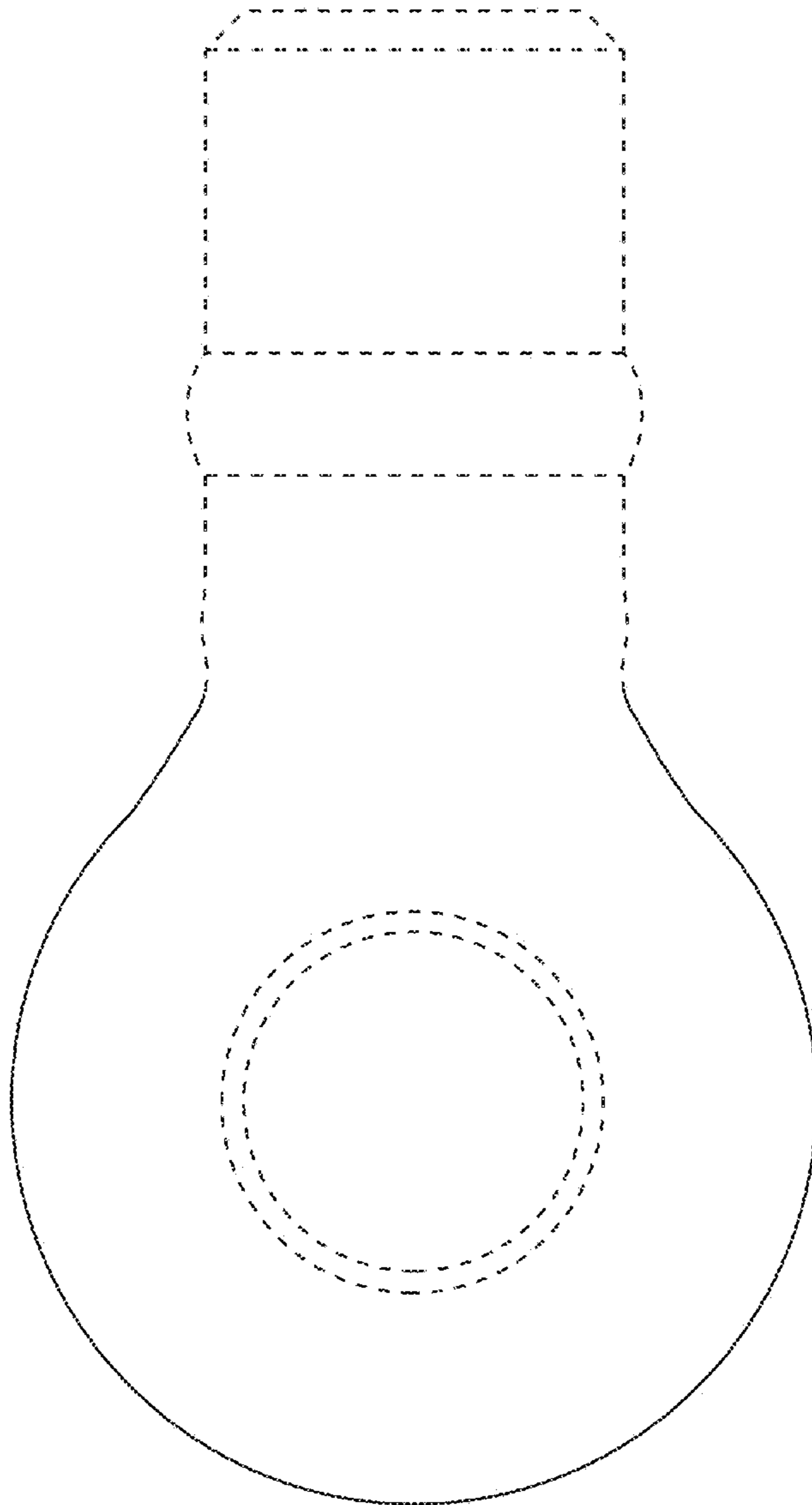


FIG. 6



**FIG. 7**