



US00D714873S

(12) **United States Design Patent**
Miller

(10) **Patent No.:** **US D714,873 S**
(45) **Date of Patent:** **** Oct. 7, 2014**

(54) **STRATEGY GAME BOARD AND PLAYING PIECES**

(71) Applicant: **Paul Miller**, Bradenton, FL (US)

(72) Inventor: **Paul Miller**, Bradenton, FL (US)

(**) Term: **14 Years**

(21) Appl. No.: **29/443,998**

(22) Filed: **Jan. 24, 2013**

(51) **LOC (10) Cl.** **21-01**

(52) **U.S. Cl.**
USPC **D21/349**

(58) **Field of Classification Search**
USPC D21/307-308, 334-368, 376-397;
273/236-287, 288-291

See application file for complete search history.

(56) **References Cited**

U.S. PATENT DOCUMENTS

D228,775 S * 10/1973 Randell D21/349
5,484,157 A * 1/1996 King 273/260

(Continued)

Primary Examiner — George D Kirschbaum

(74) *Attorney, Agent, or Firm* — Allen, Dyer, Doppelt,
Milbrath & Gilchrist, P.A.

(57) **CLAIM**

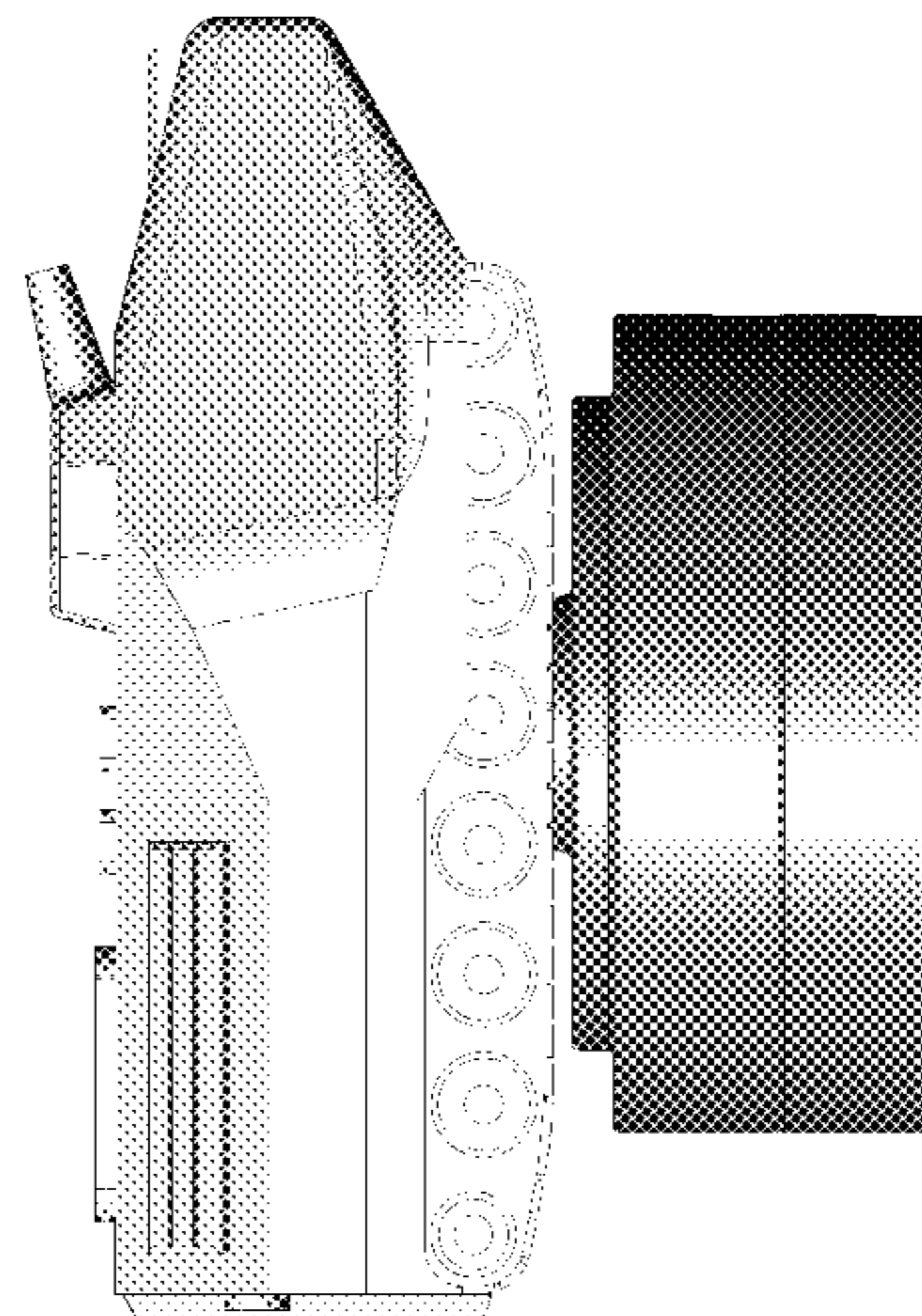
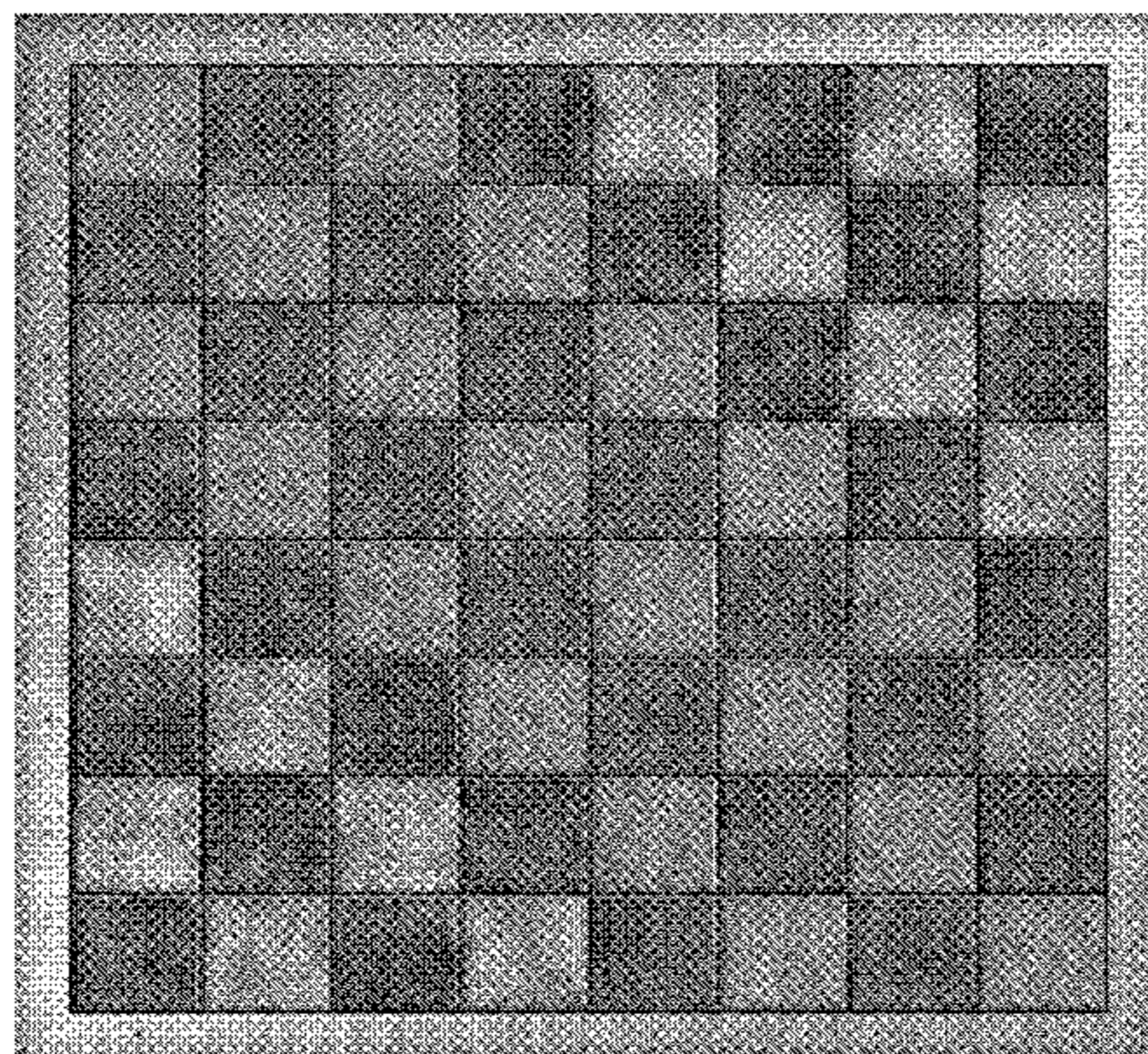
The ornamental design for a strategy game board and playing pieces, as shown and described.

DESCRIPTION

FIG. 1 is a top plan view of a game board showing my new design, the bottom is flat and not ornamented;
FIG. 2 is a bottom view of a first playing piece;
FIG. 3 is a top view of the first playing piece;
FIG. 4 is a front view of the first playing piece;
FIG. 5 is a rear view of the first playing piece;
FIG. 6 is a right side view of the first playing piece, the left side is symmetrical;

FIG. 7 is a bottom view of a second playing piece;
FIG. 8 is a front view of the second playing piece;
FIG. 9 is a rear view of the second playing piece;
FIG. 10 is a right side view of the second playing piece, the left side is symmetrical;
FIG. 11 is a top view of the second playing piece;
FIG. 12 is a bottom view of a third playing piece;
FIG. 13 is a front view of the third playing piece;
FIG. 14 is a rear view of the third playing piece;
FIG. 15 is a left side view of the third playing piece, the right side is symmetrical;
FIG. 16 is a top view of the third playing piece;
FIG. 17 is a bottom view of a fourth playing piece;
FIG. 18 is a front view of the fourth playing piece;
FIG. 19 is a rear view of the fourth playing piece;
FIG. 20 is a left side view of the fourth playing piece, the right side is symmetrical;
FIG. 21 is a top view of the fourth playing piece;
FIG. 22 is a bottom view of a fifth playing piece;
FIG. 23 is a front view of the fifth playing piece;
FIG. 24 is a rear view of the fifth playing piece;
FIG. 25 is a left side view of the fifth playing piece, the right side is symmetrical;
FIG. 26 is a top view of the fifth playing piece;
FIG. 27 is a bottom view of a sixth playing piece;
FIG. 28 is a front view of the sixth playing piece;
FIG. 29 is a rear view of the sixth playing piece;
FIG. 30 is a left side view of the sixth playing piece, the right side is symmetrical;
FIG. 31 is a top view of the sixth playing piece;
FIG. 32 is a bottom view of a seventh playing piece;
FIG. 33 is a front view of the seventh playing piece;
FIG. 34 is a rear view of the seventh playing piece;
FIG. 35 is a left side view of the seventh playing piece, the right side is symmetrical;
FIG. 36 is a top view of the seventh playing piece;
FIG. 37 is a bottom view of a eighth playing piece;
FIG. 38 is a front view of the eighth playing piece;
FIG. 39 is a rear view of the eighth playing piece;
FIG. 40 is a left side view of the eighth playing piece, the right side is symmetrical; and,
FIG. 41 is a top view of the eighth playing piece.

1 Claim, 41 Drawing Sheets



(56)

References Cited

D616,948 S * 6/2010 Brown D21/389
2011/0089635 A1* 4/2011 Miller 273/262

U.S. PATENT DOCUMENTS

5,496,037 A * 3/1996 Rumph 273/255 * cited by examiner

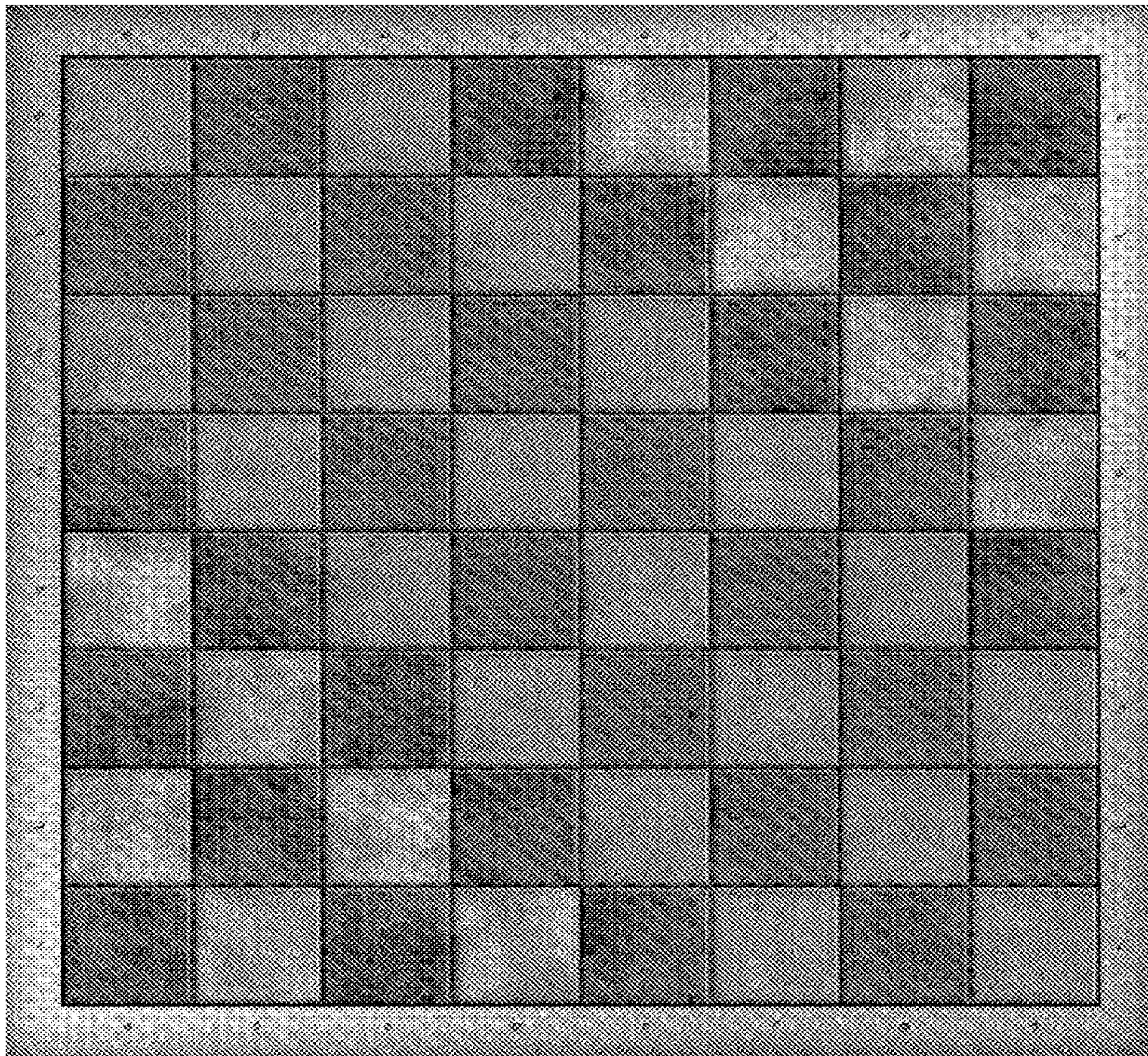


FIG. 1

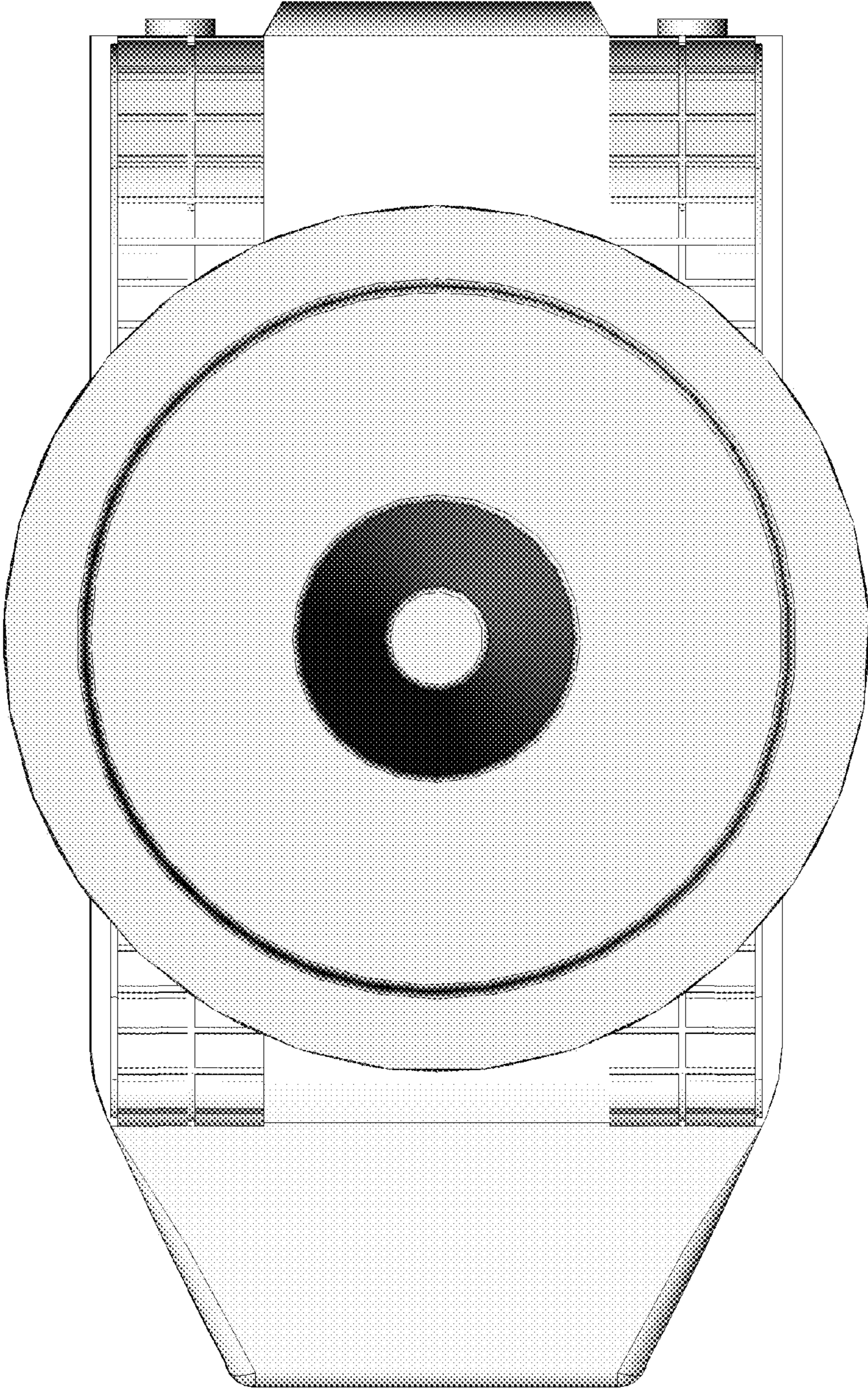


FIG. 2

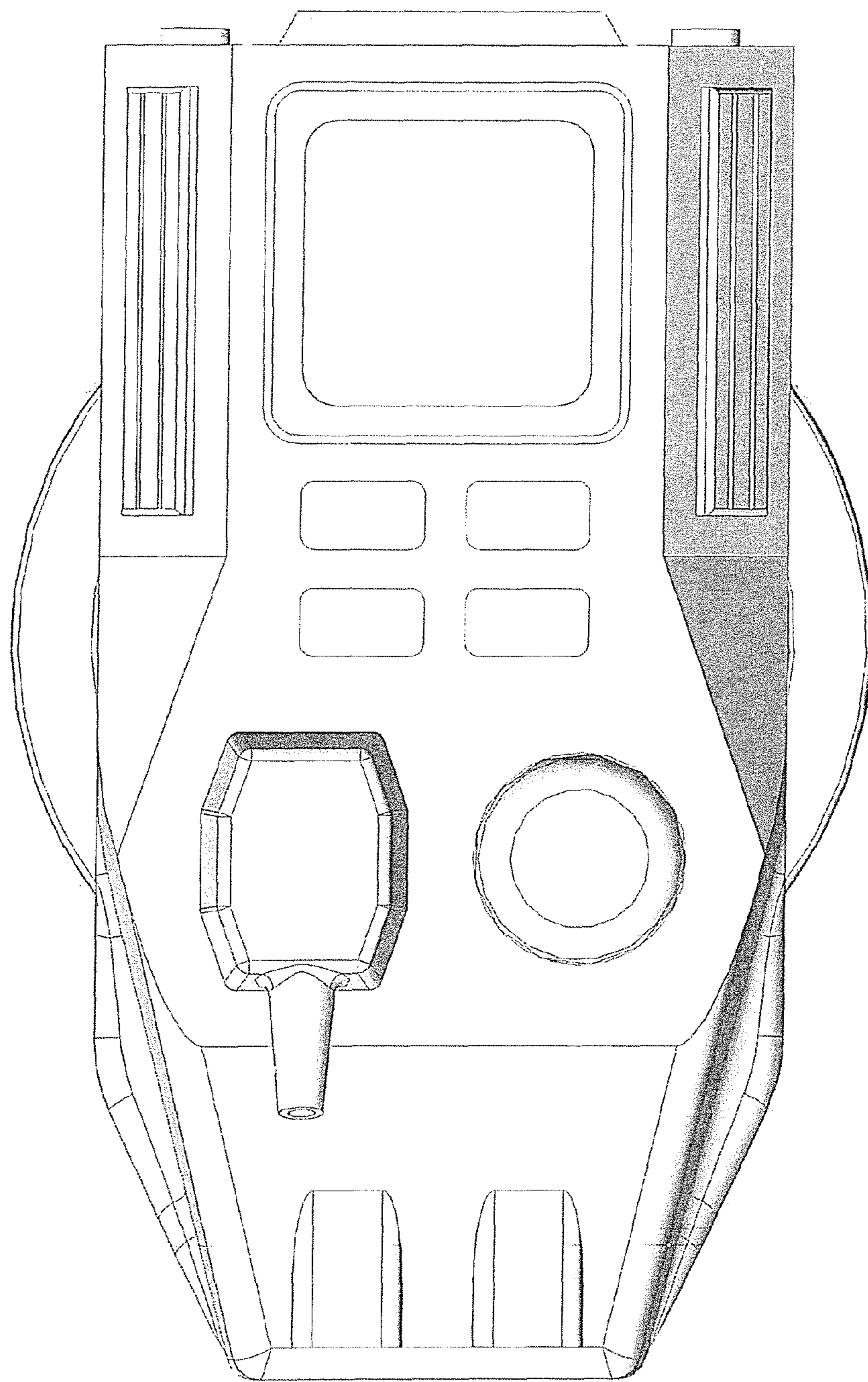


FIG. 3

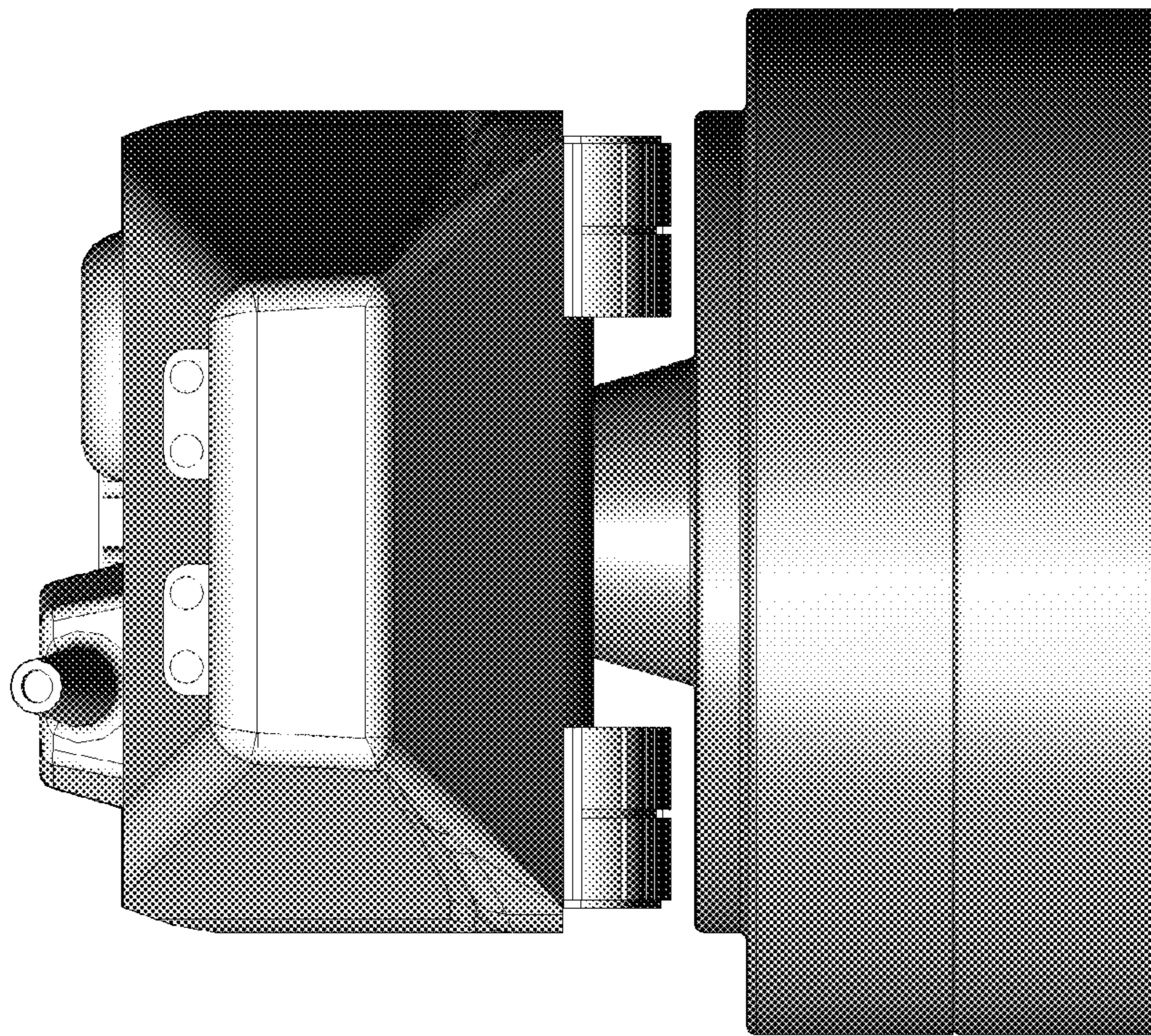


FIG. 4

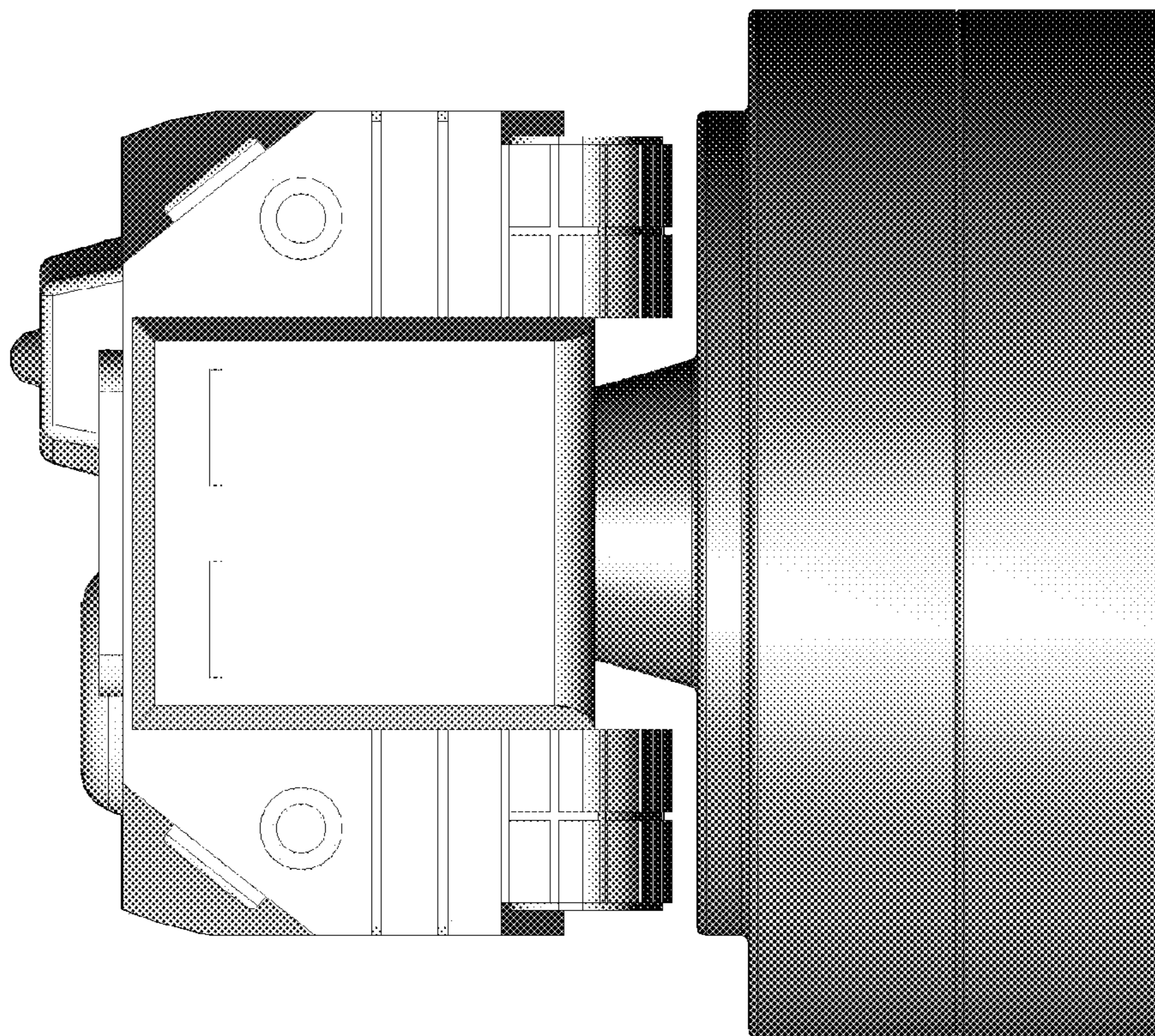


FIG. 5

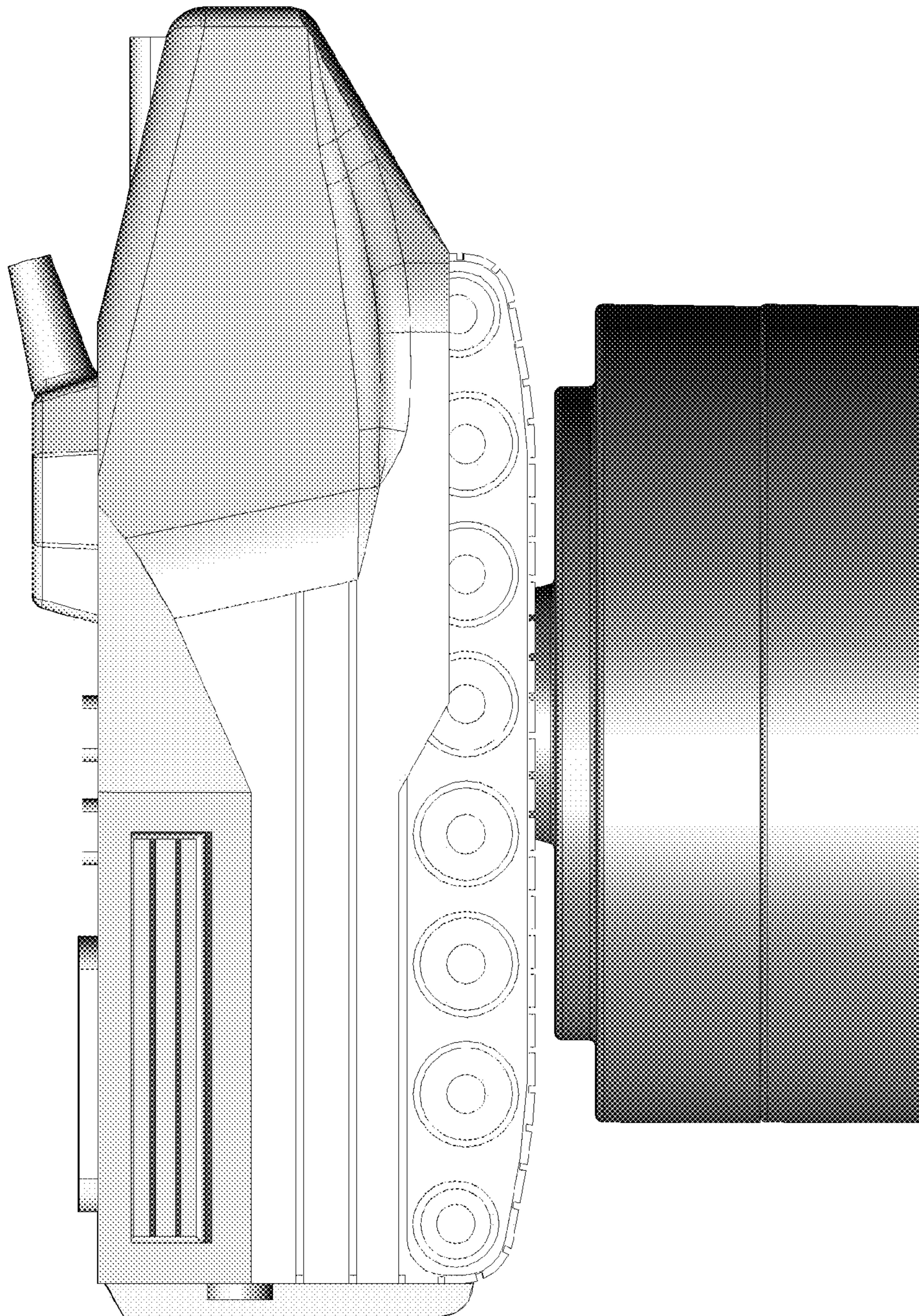


FIG. 6

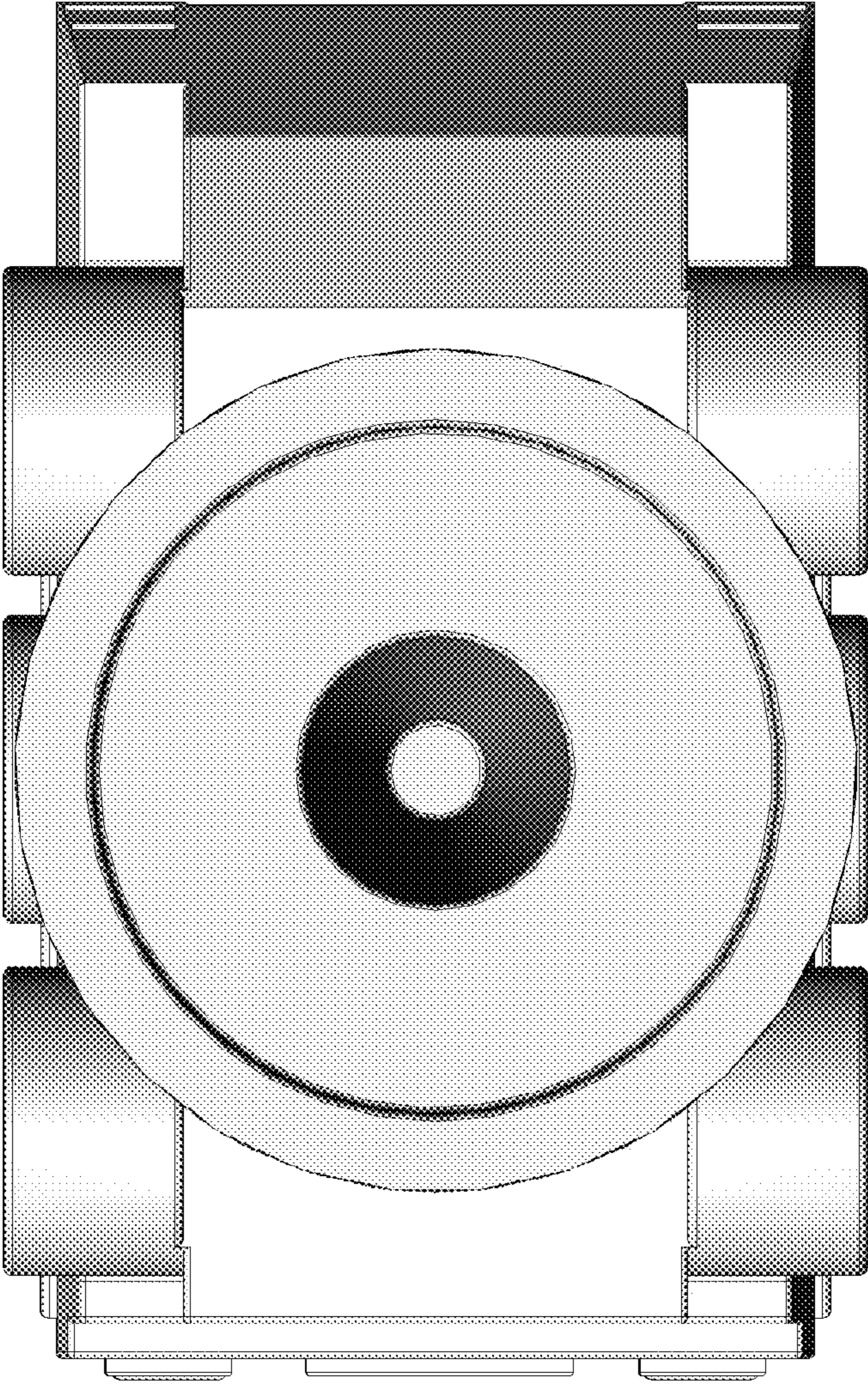


FIG. 7

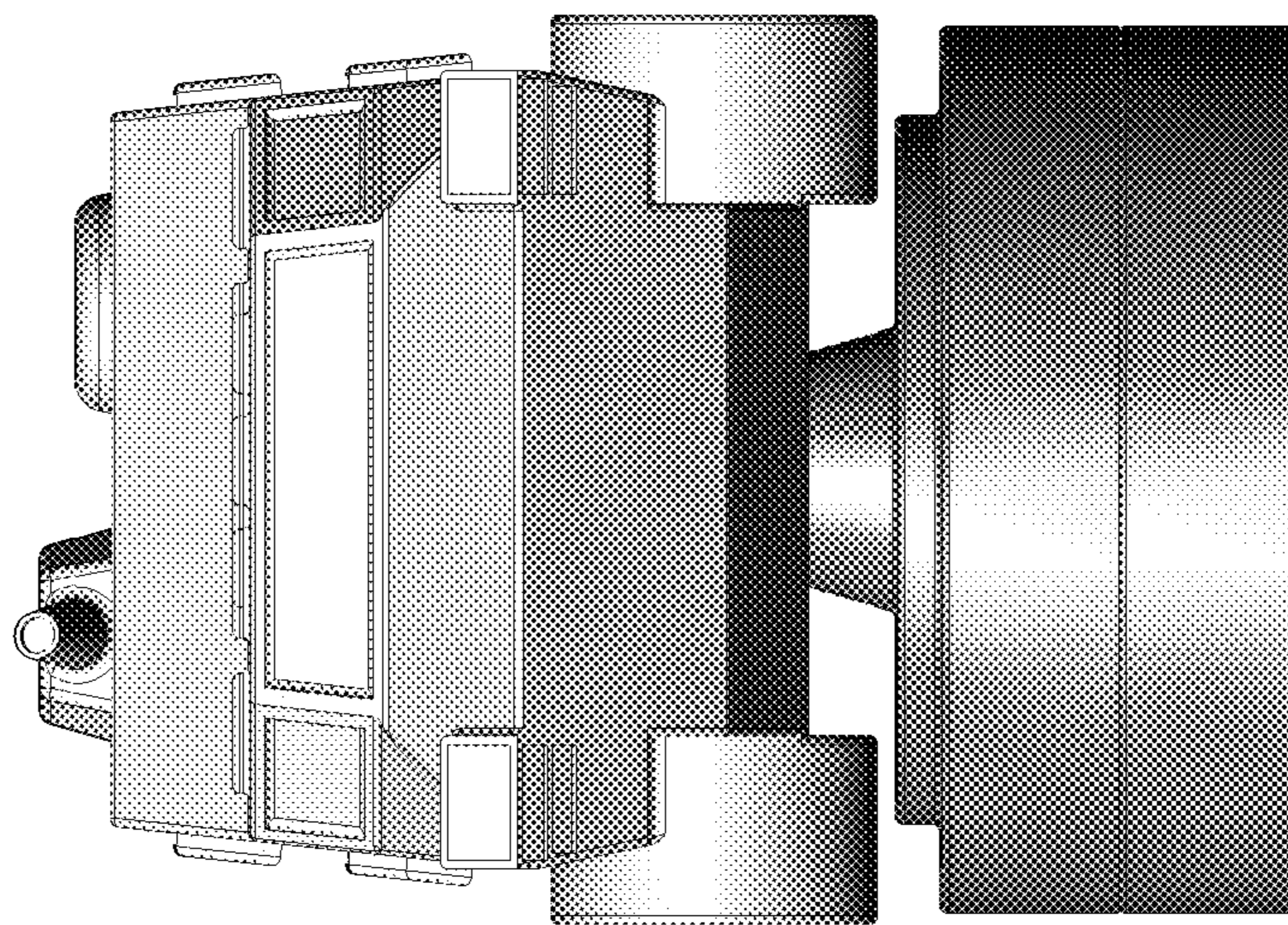


FIG. 8

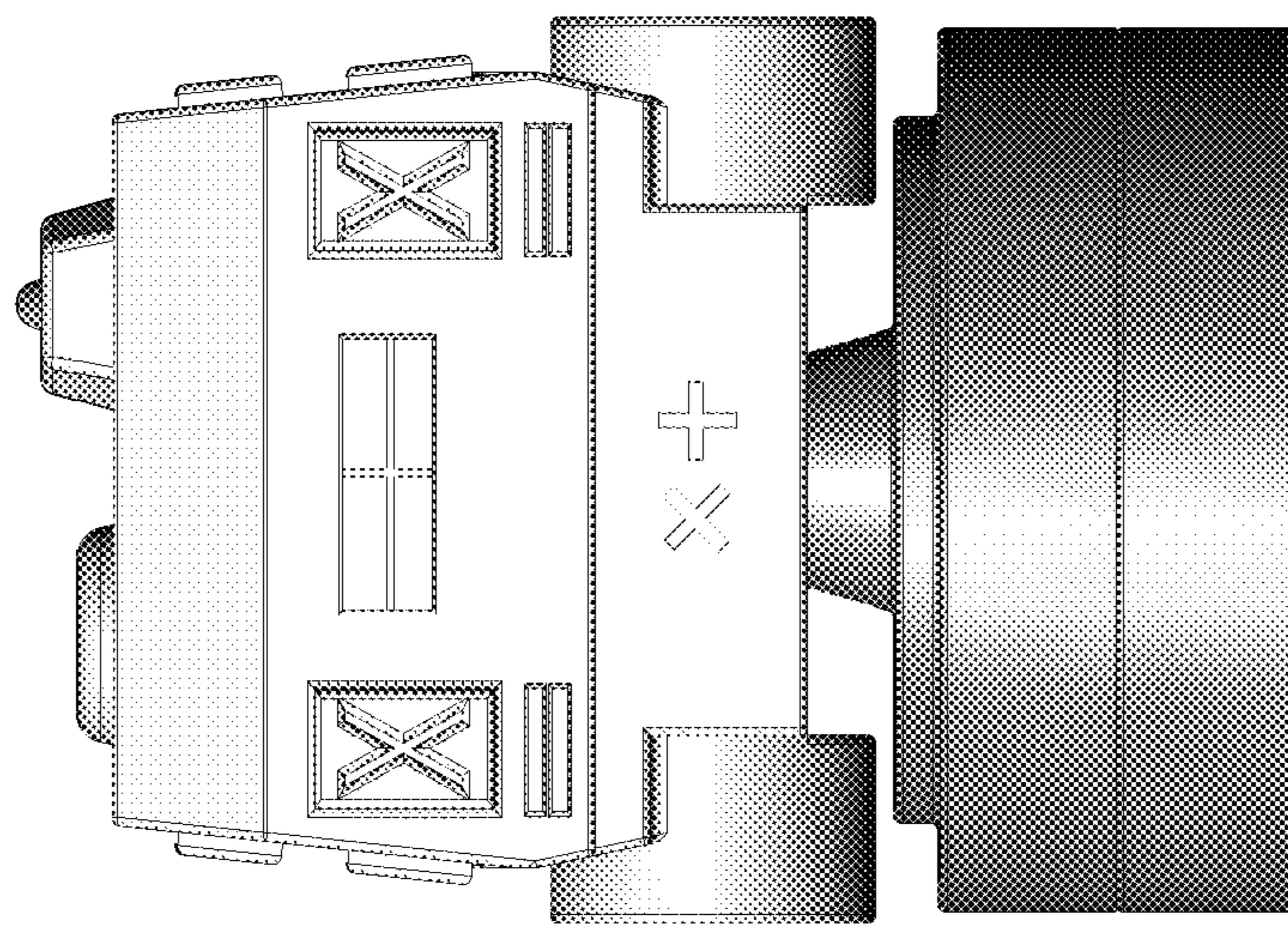


FIG. 9

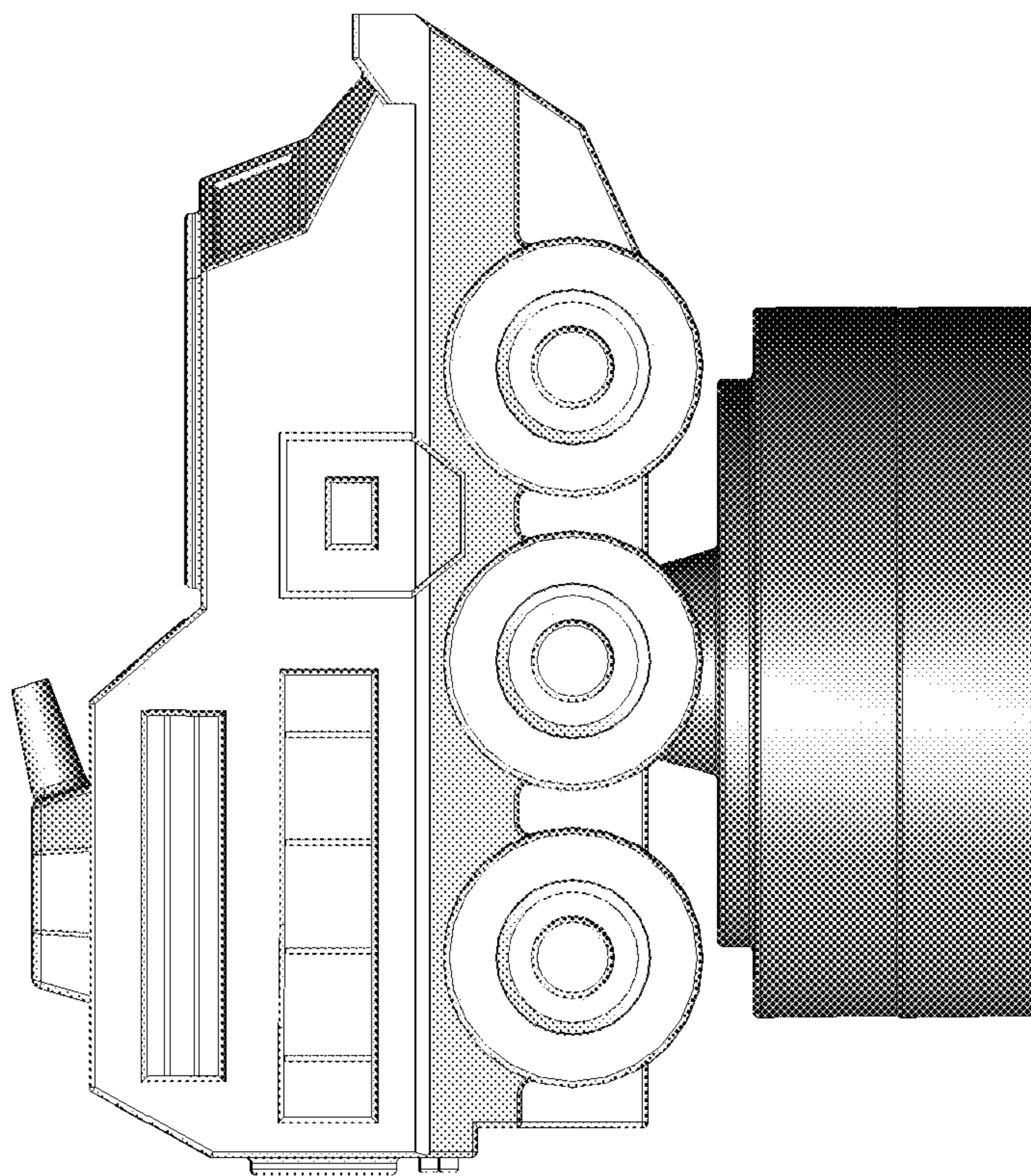


FIG. 10

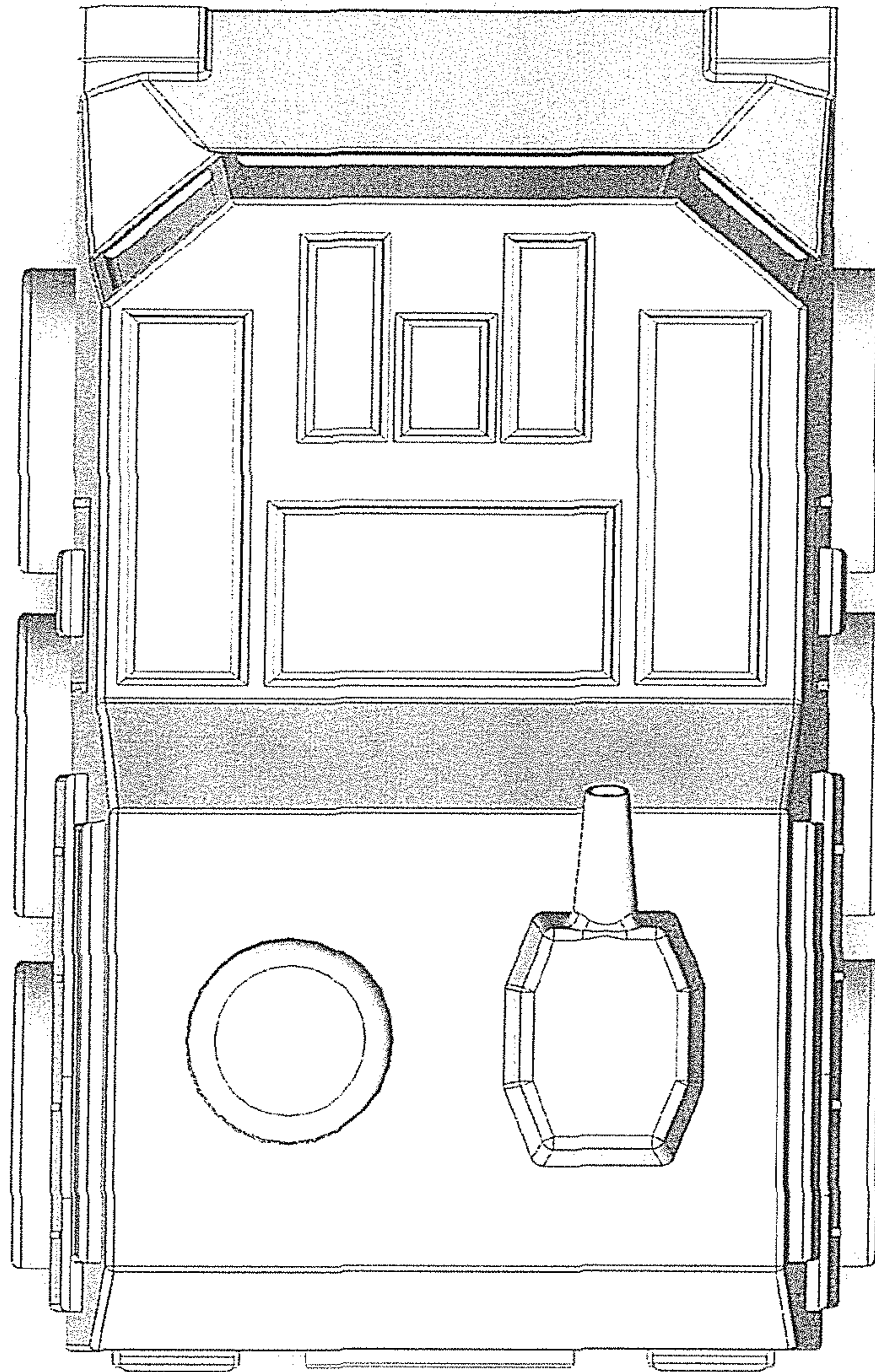


FIG. 11

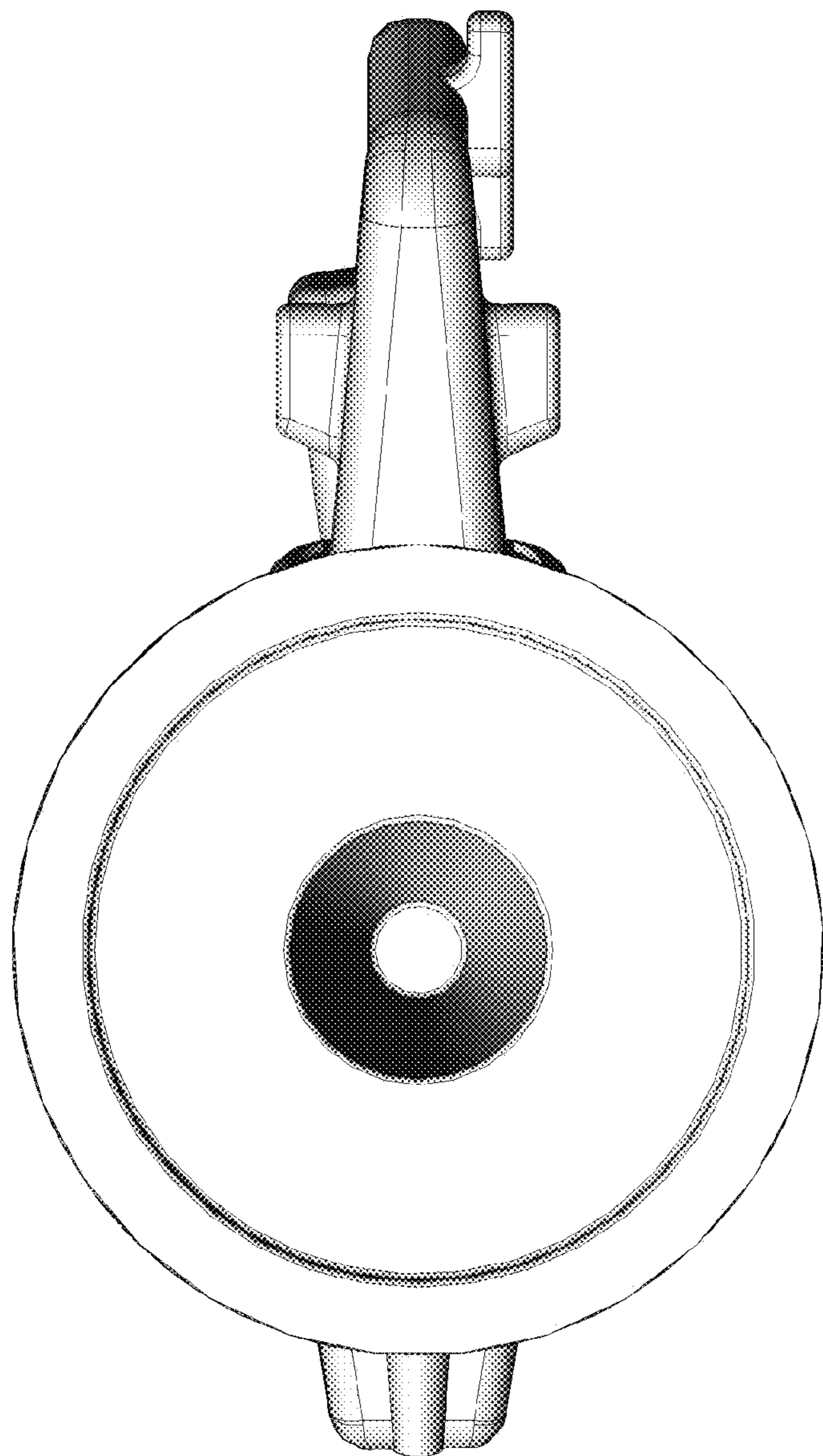


FIG. 12

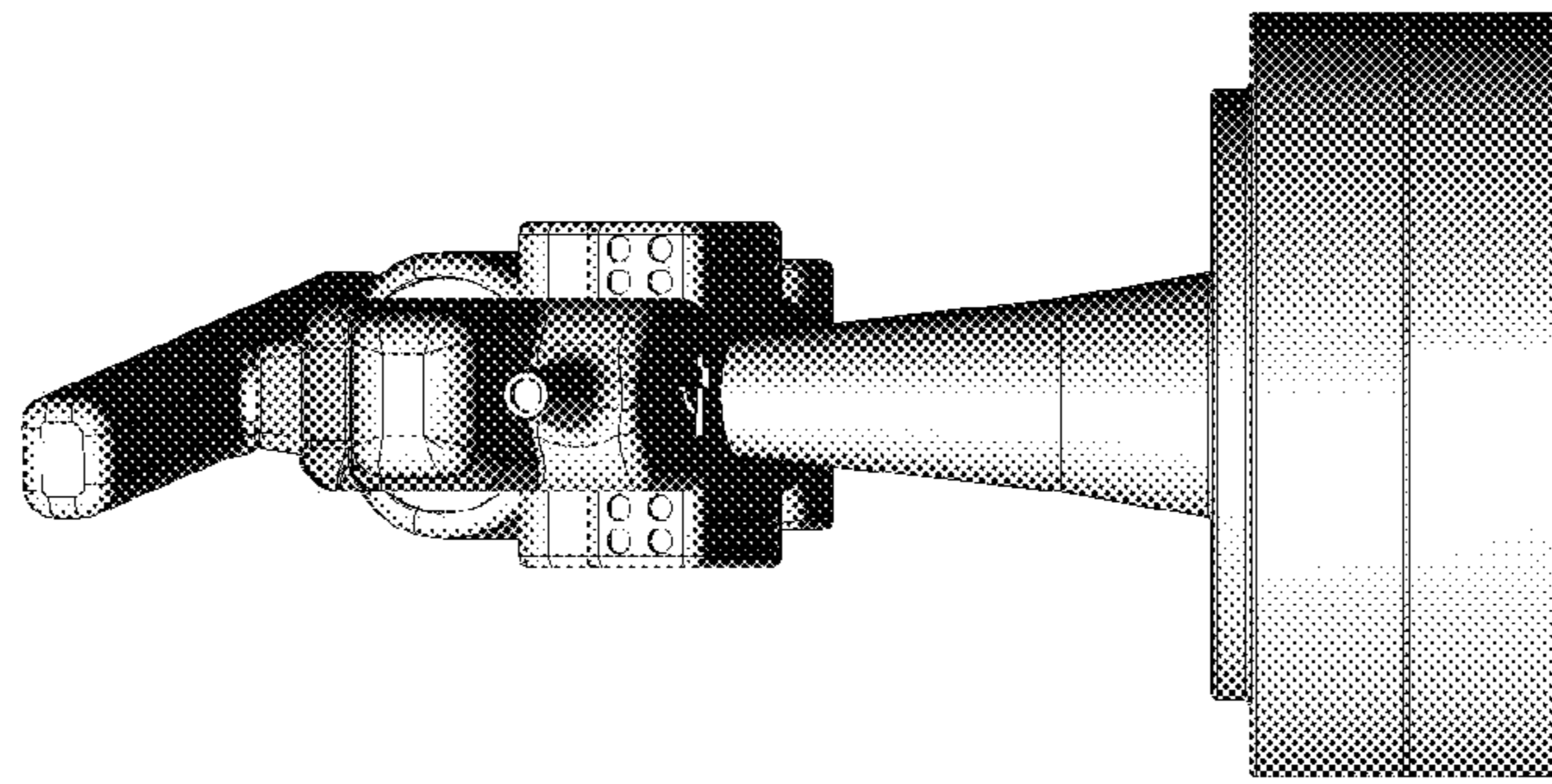


FIG. 13

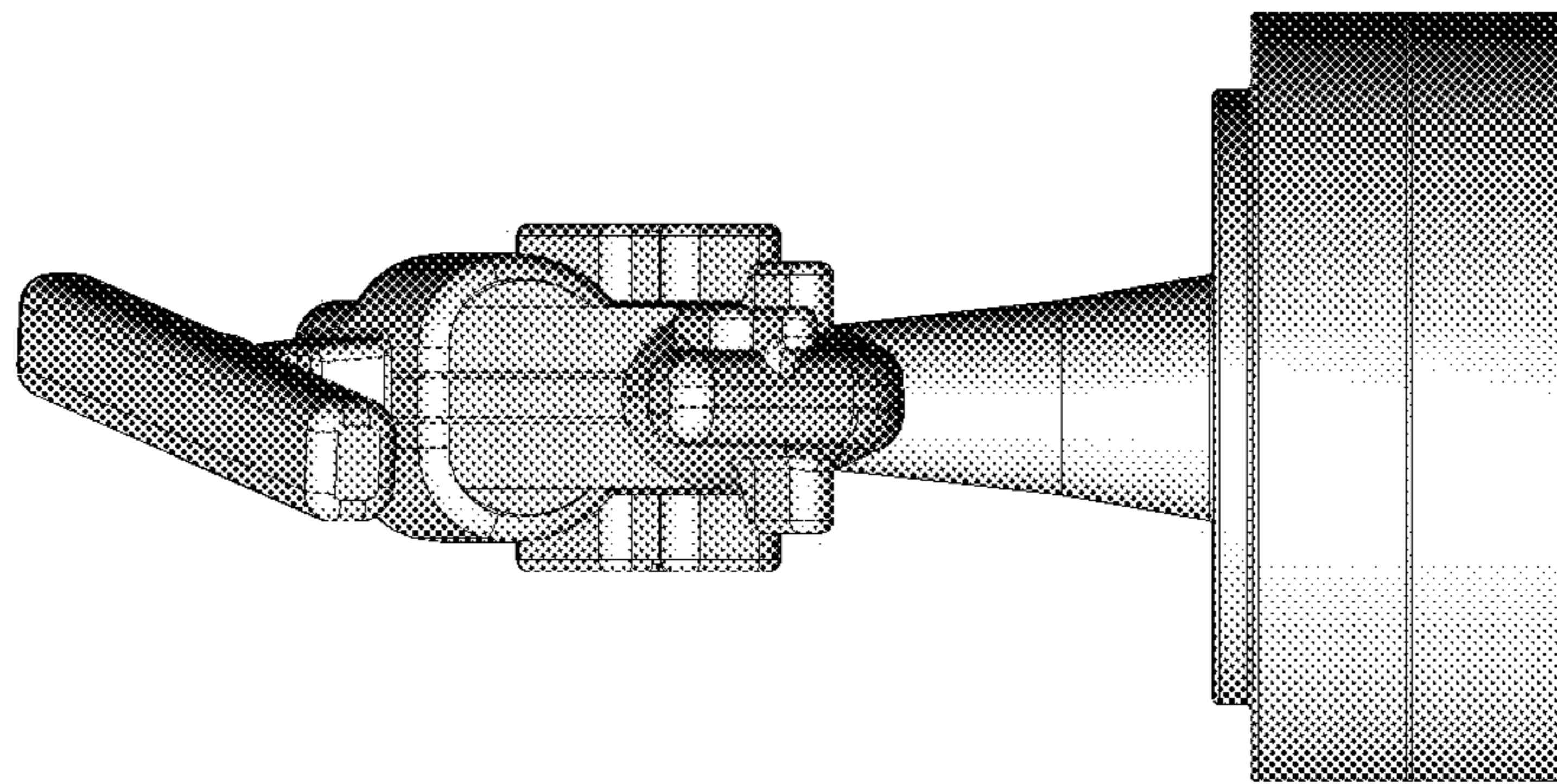


FIG. 14

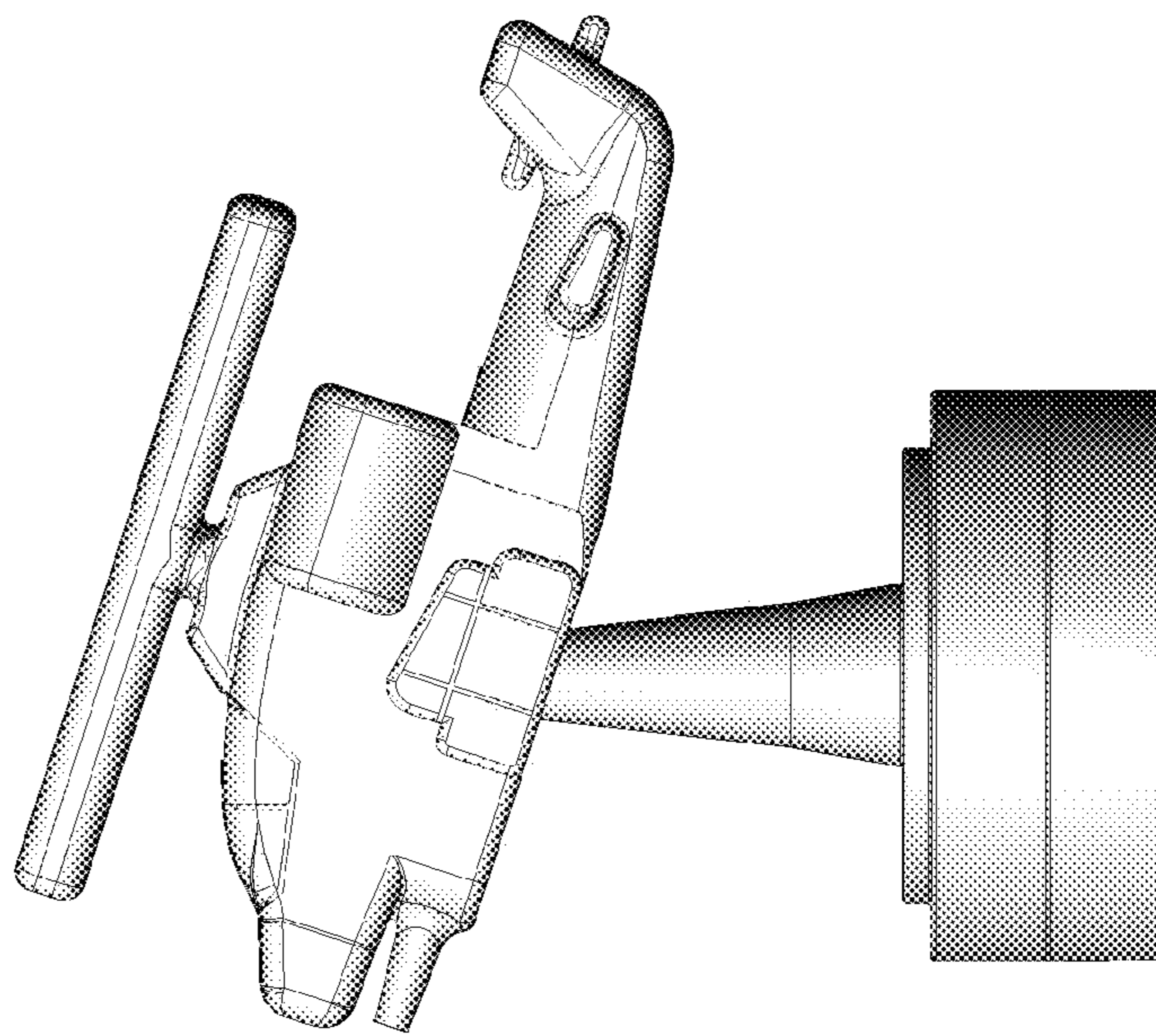


FIG. 15

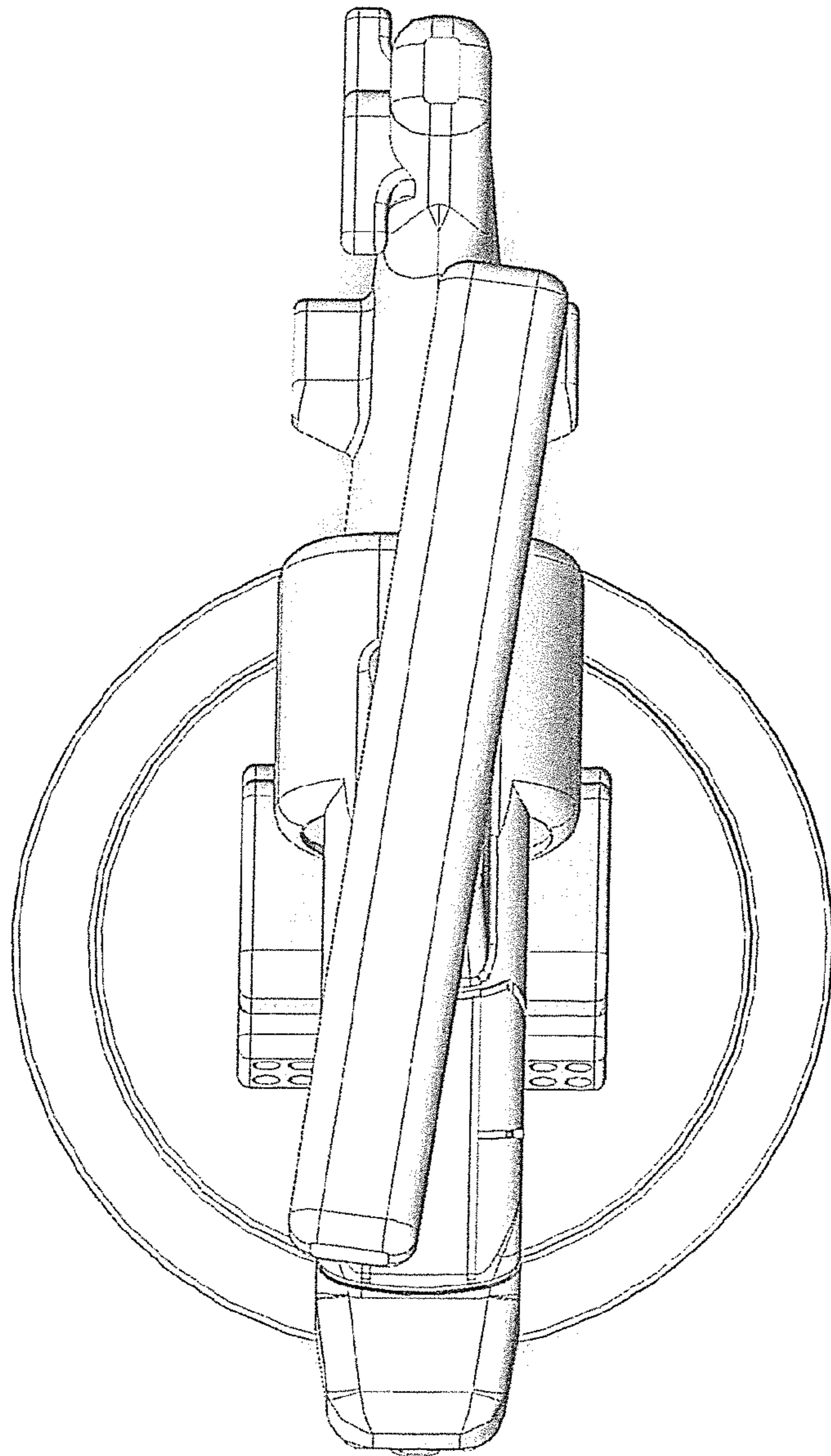


FIG. 16

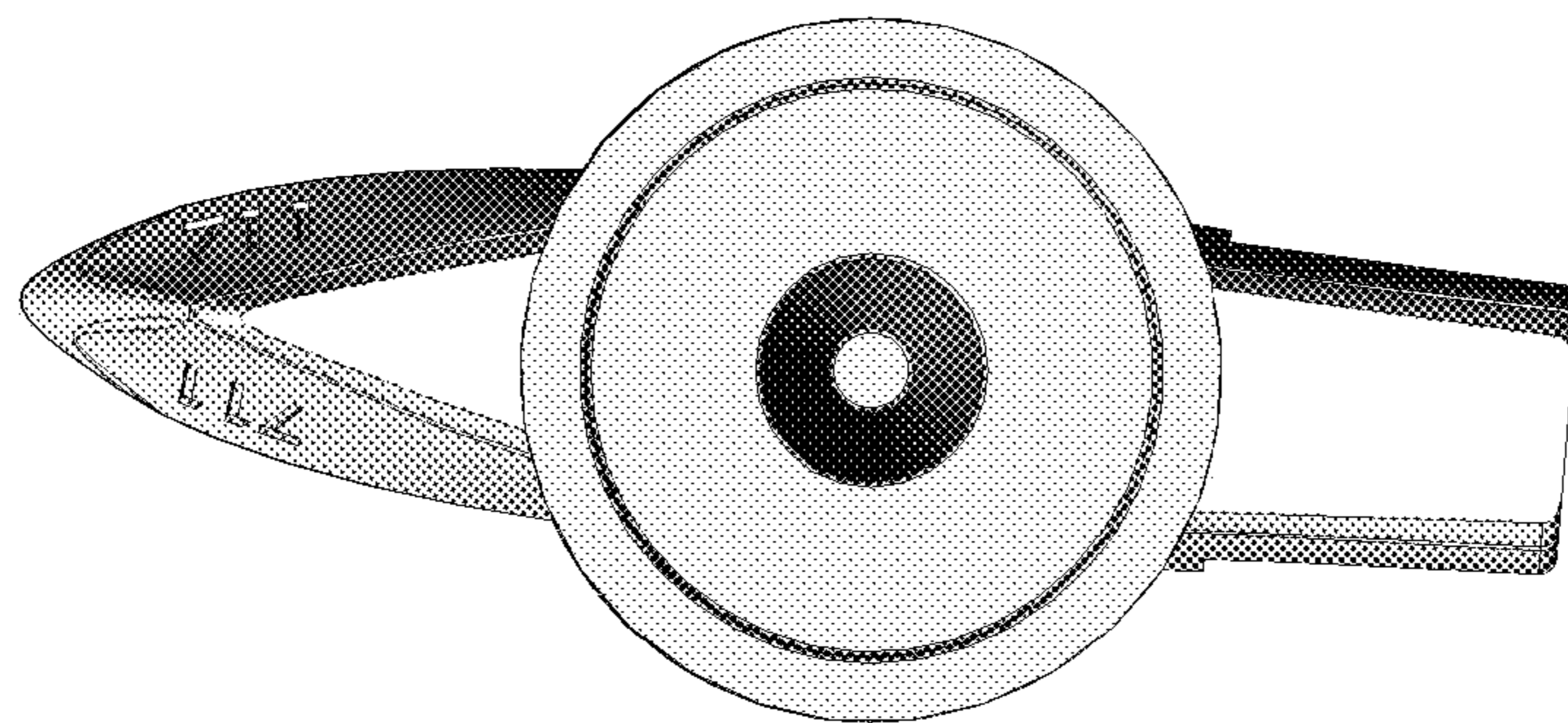


FIG. 17

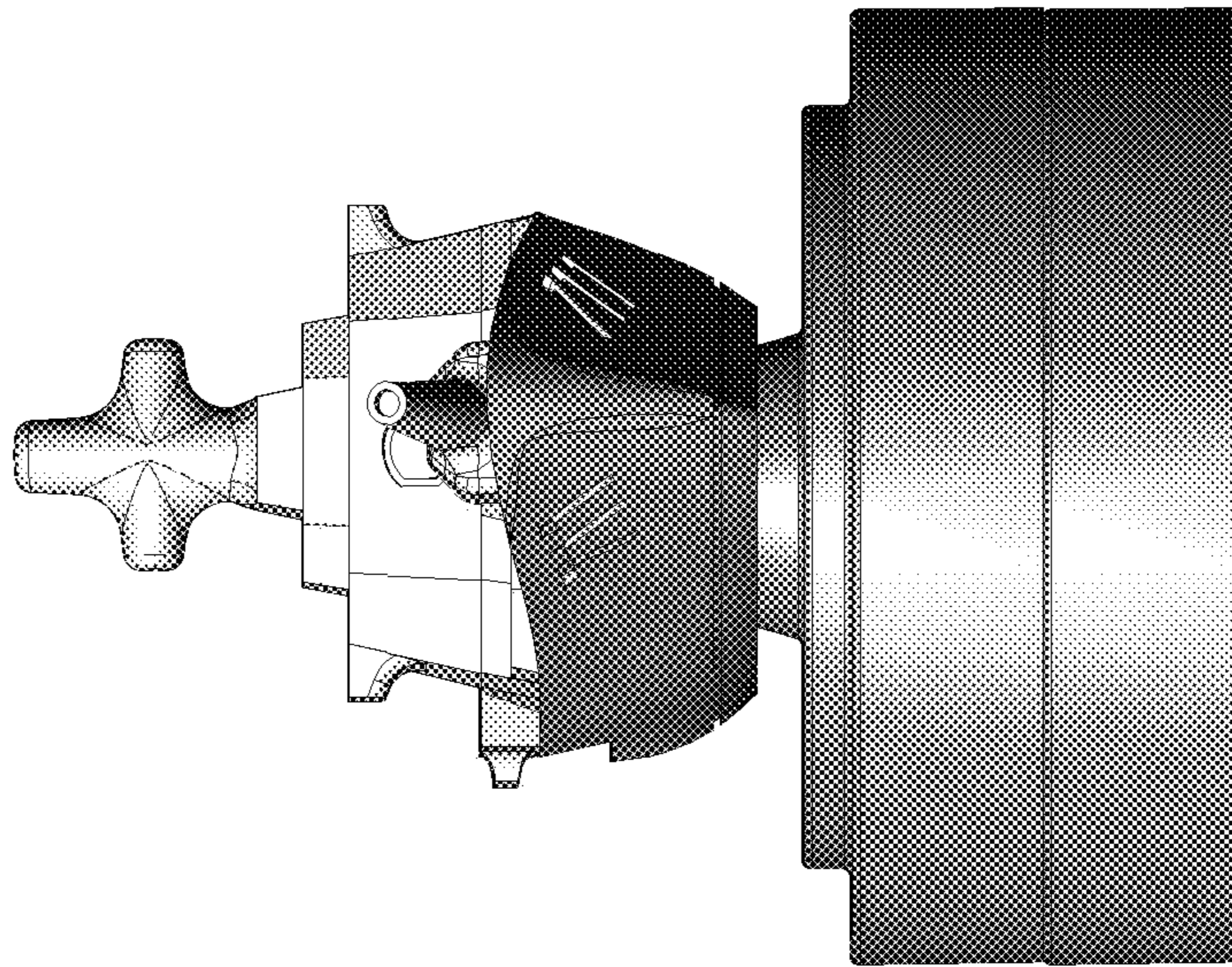


FIG. 18

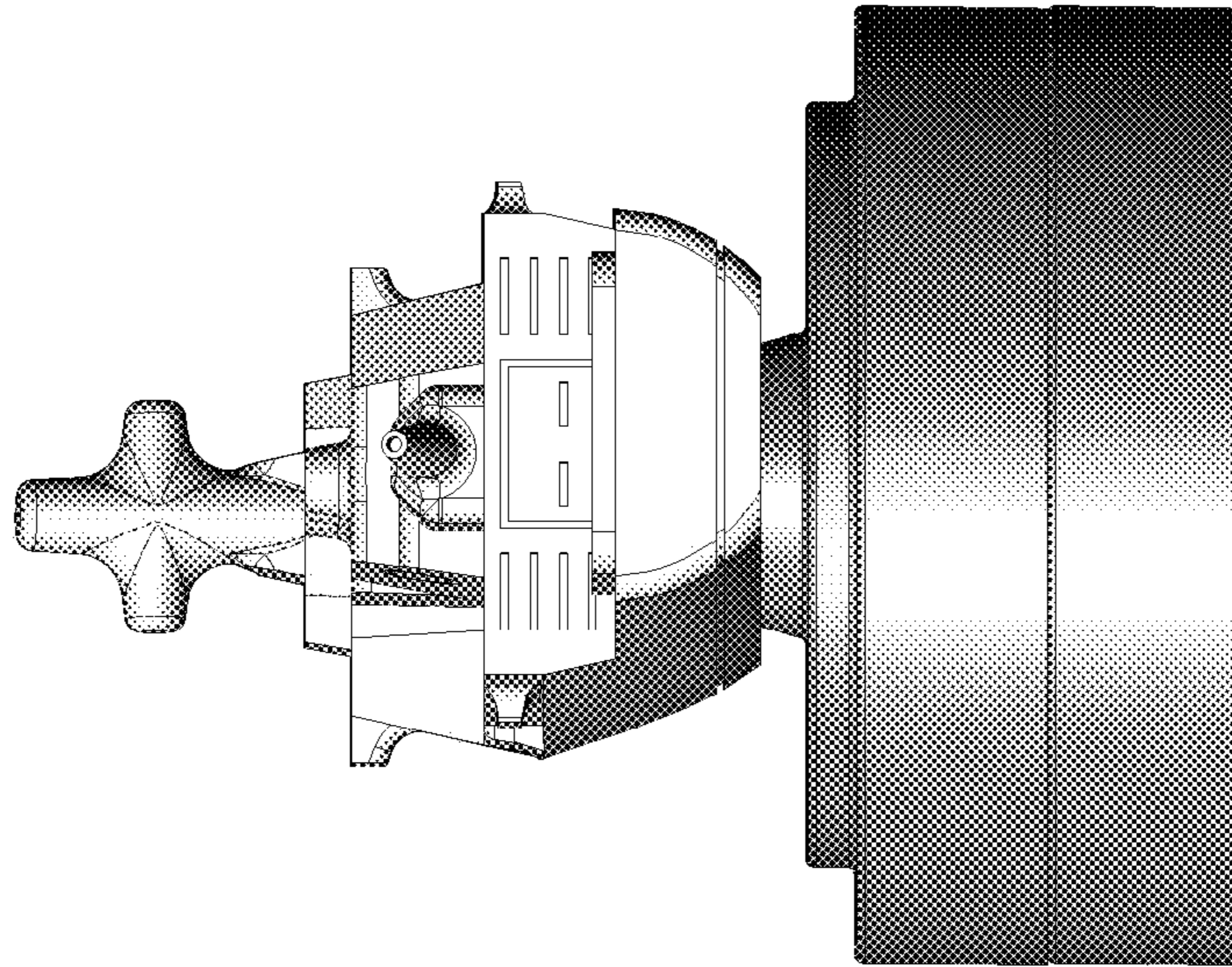


FIG. 19

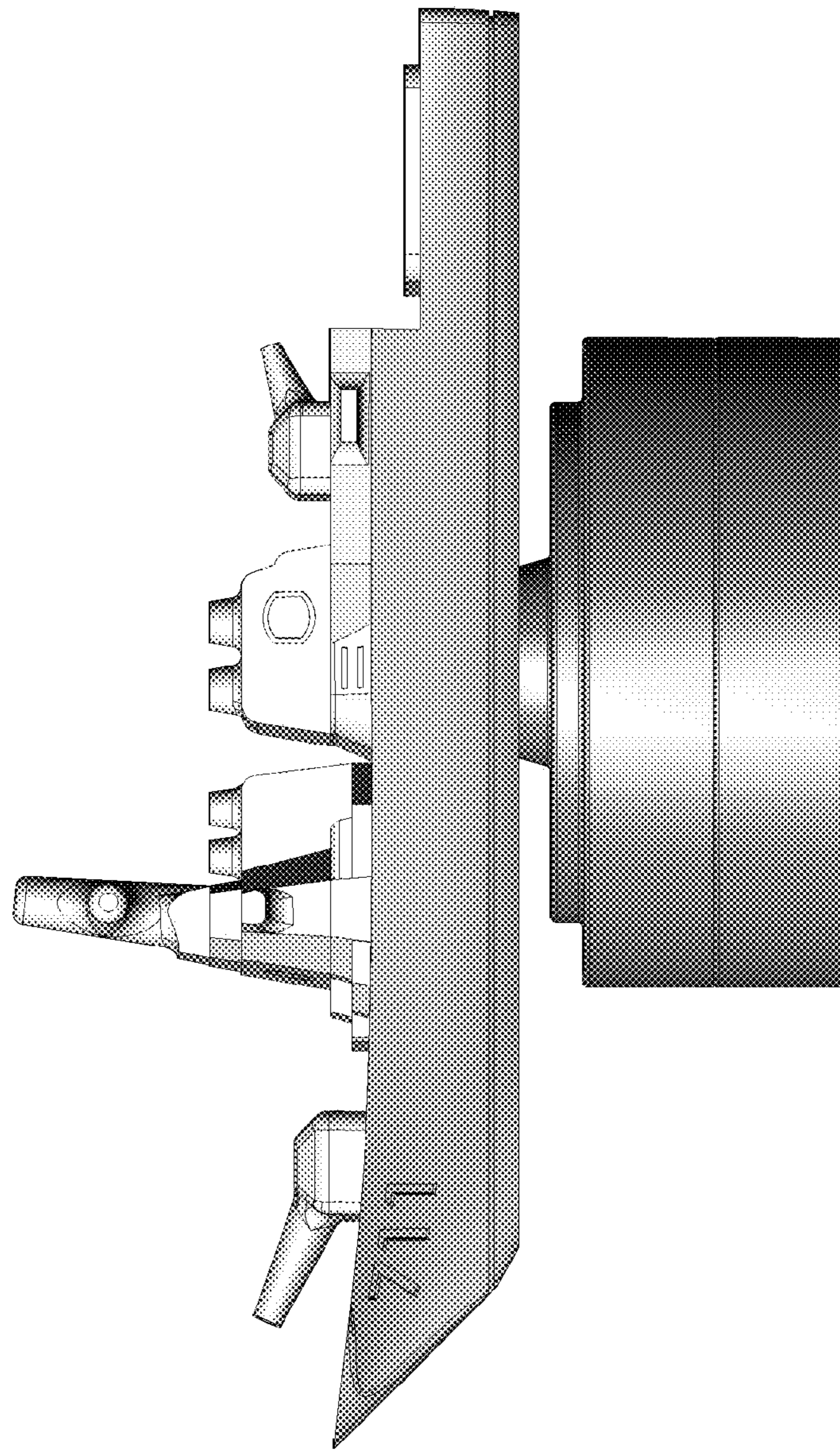


FIG. 20

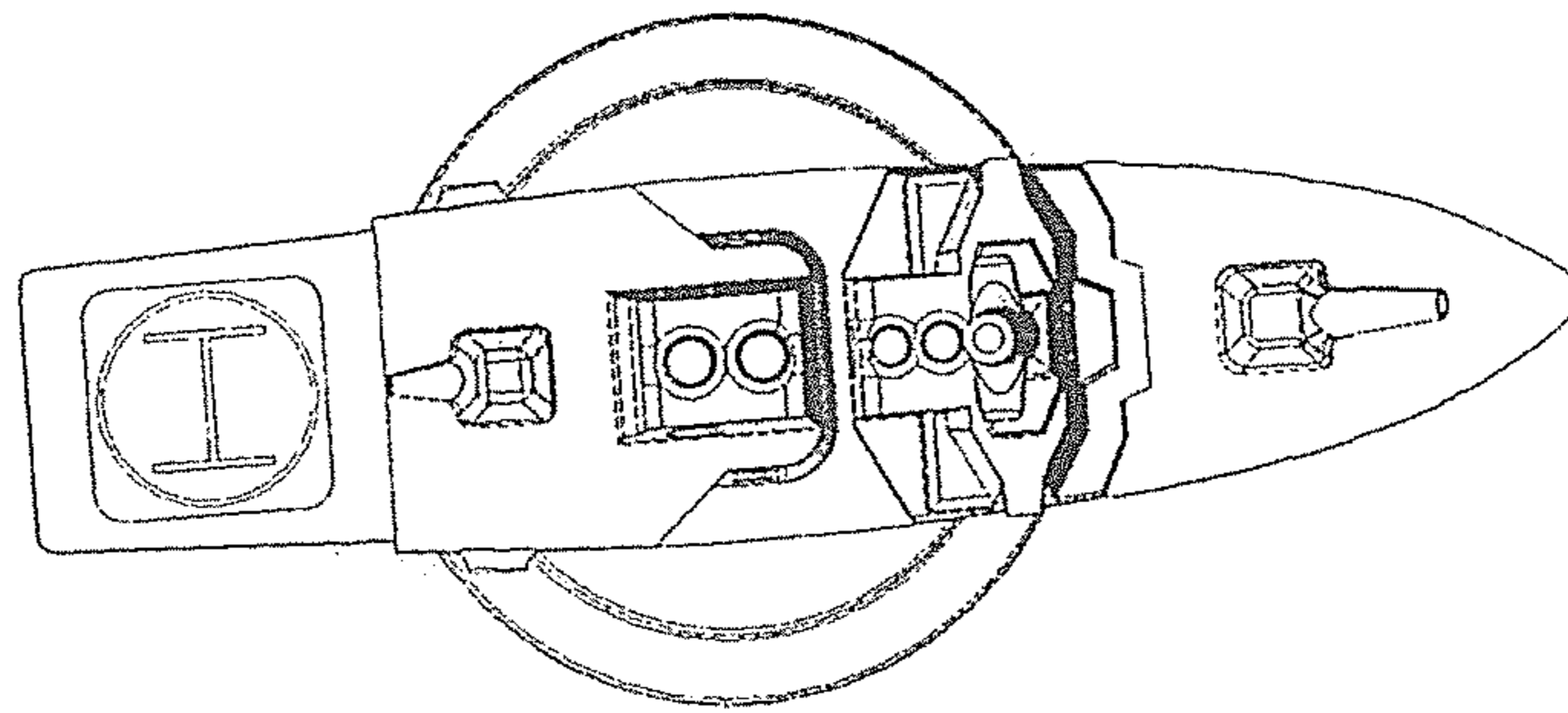


FIG. 21

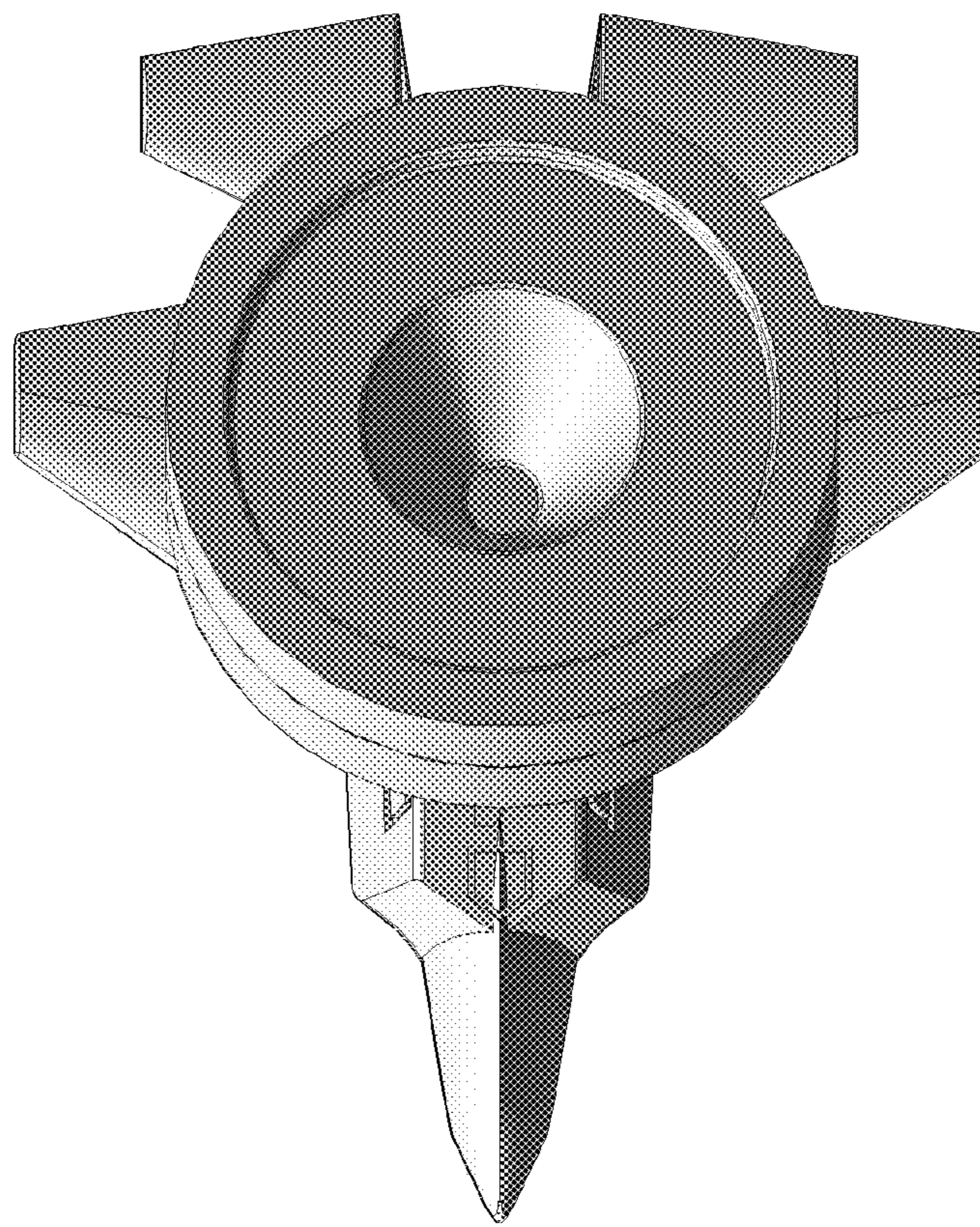


FIG. 22

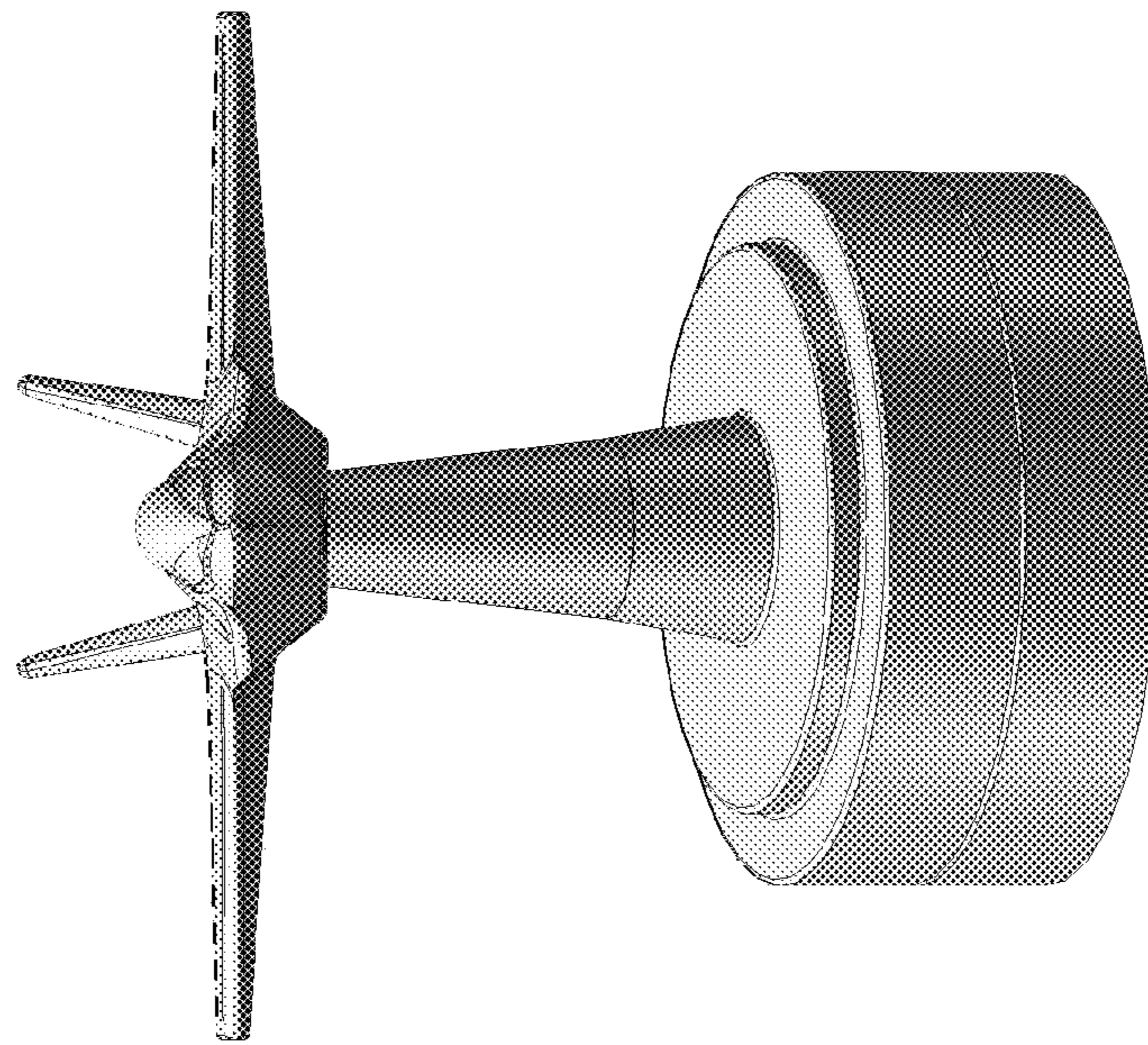


FIG. 23

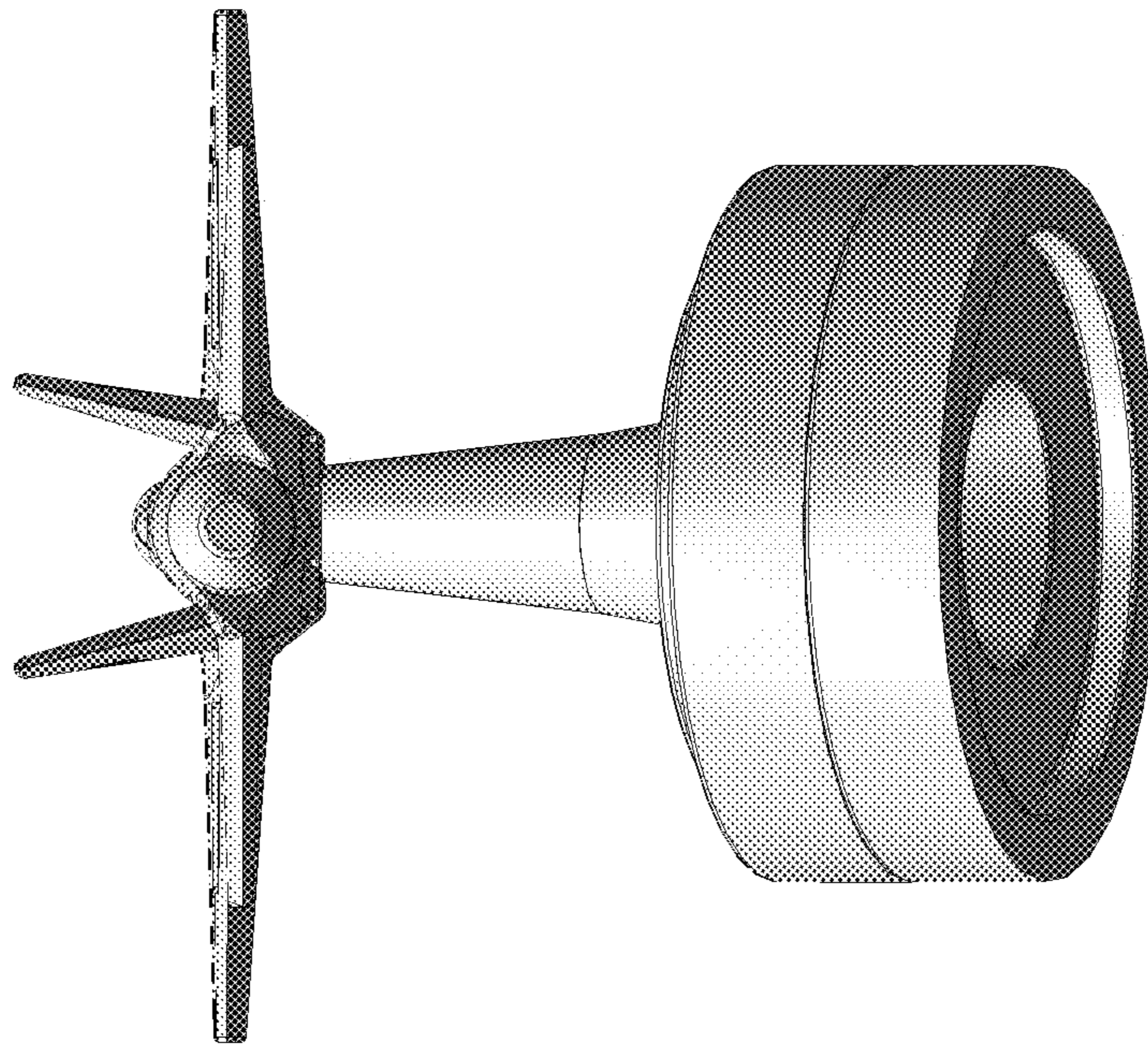


FIG. 24

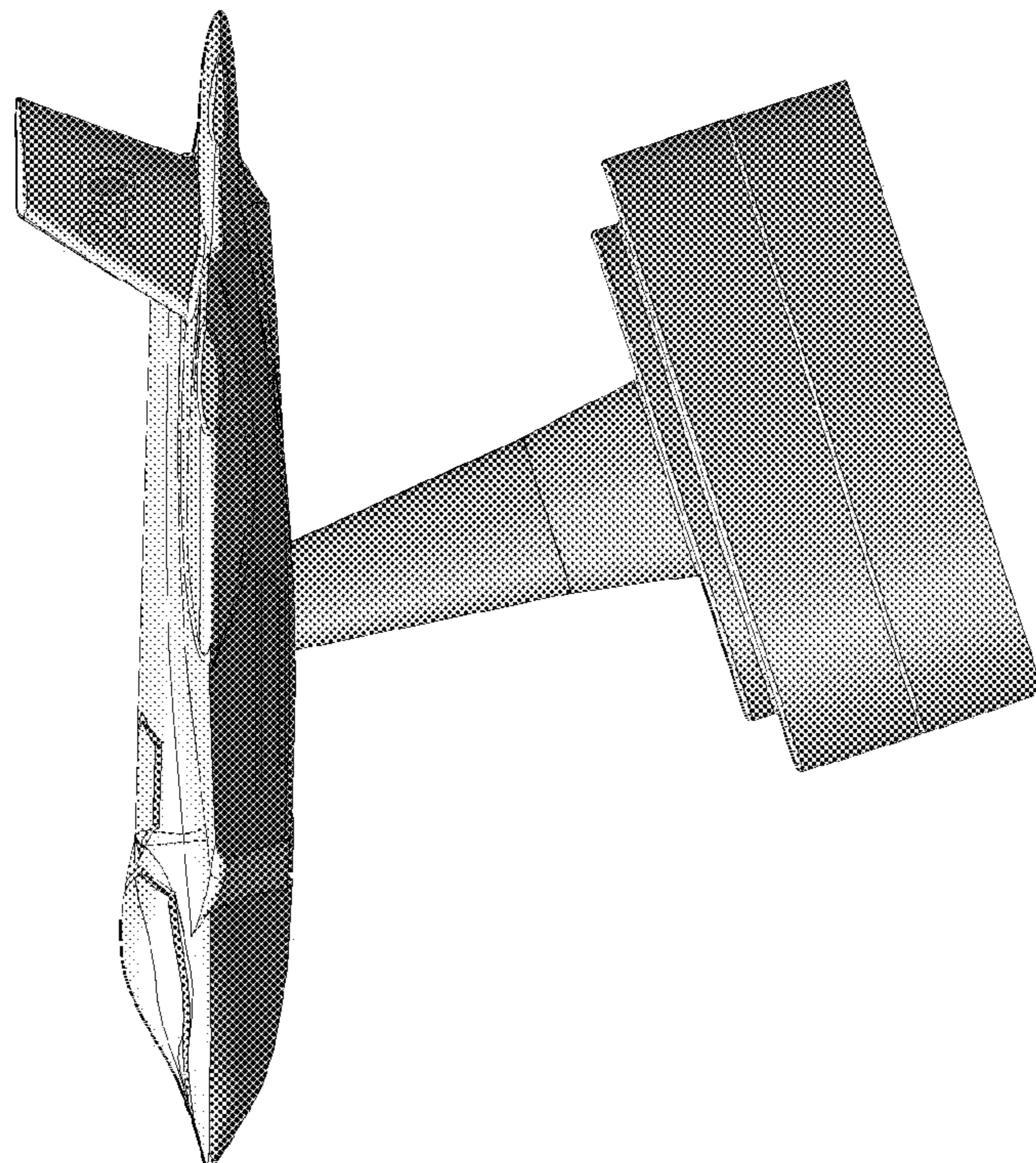


FIG. 25

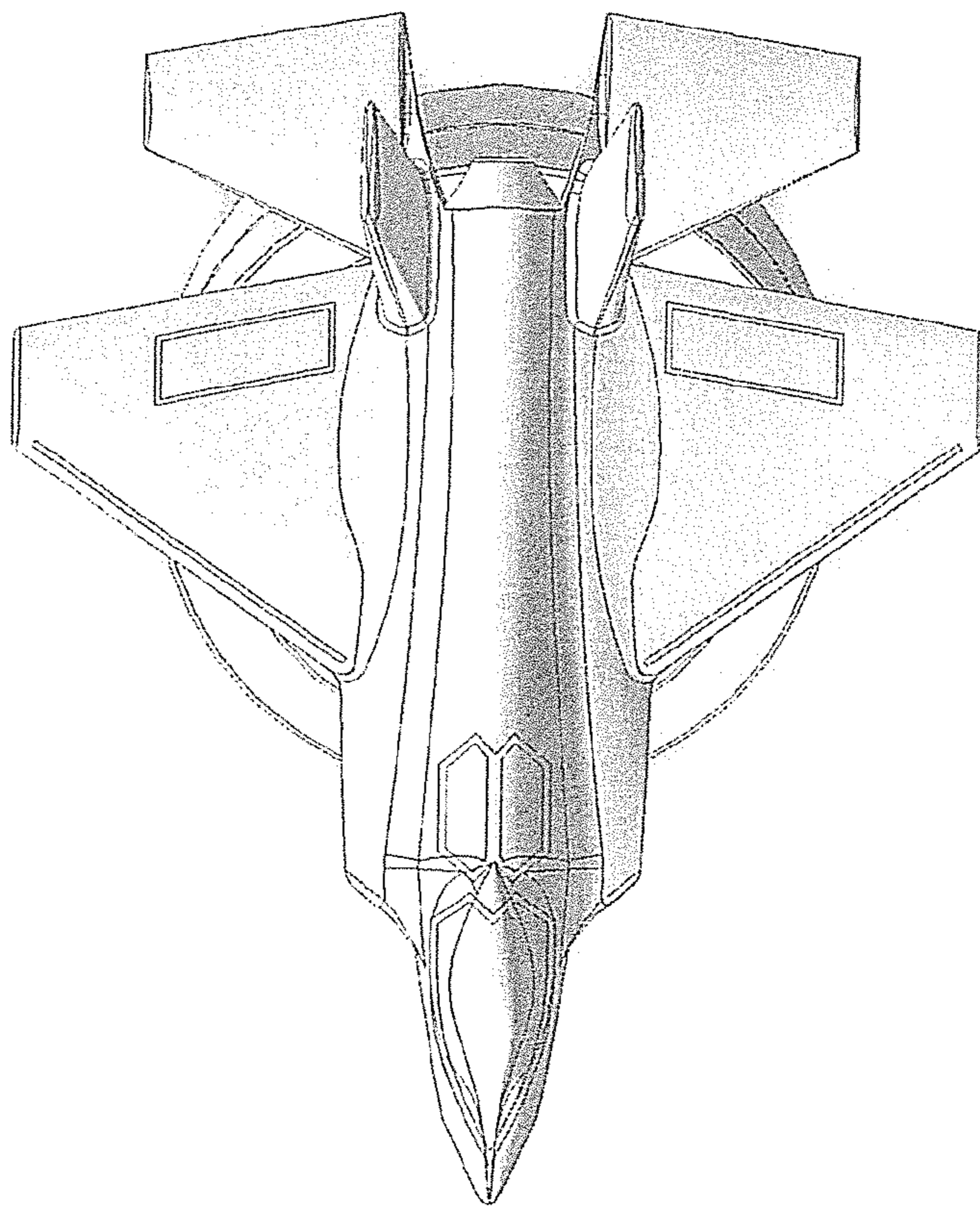


FIG. 26

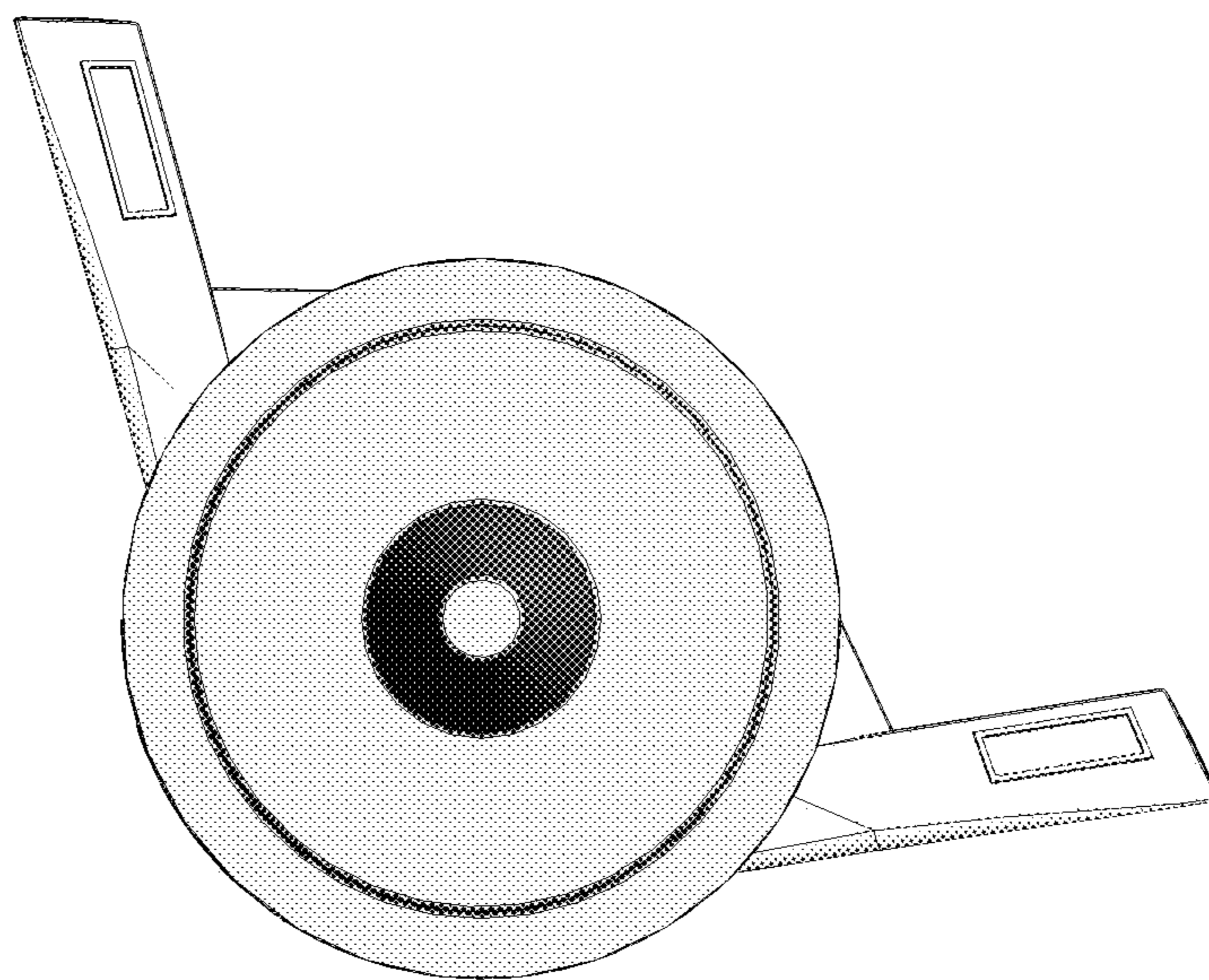


FIG. 27

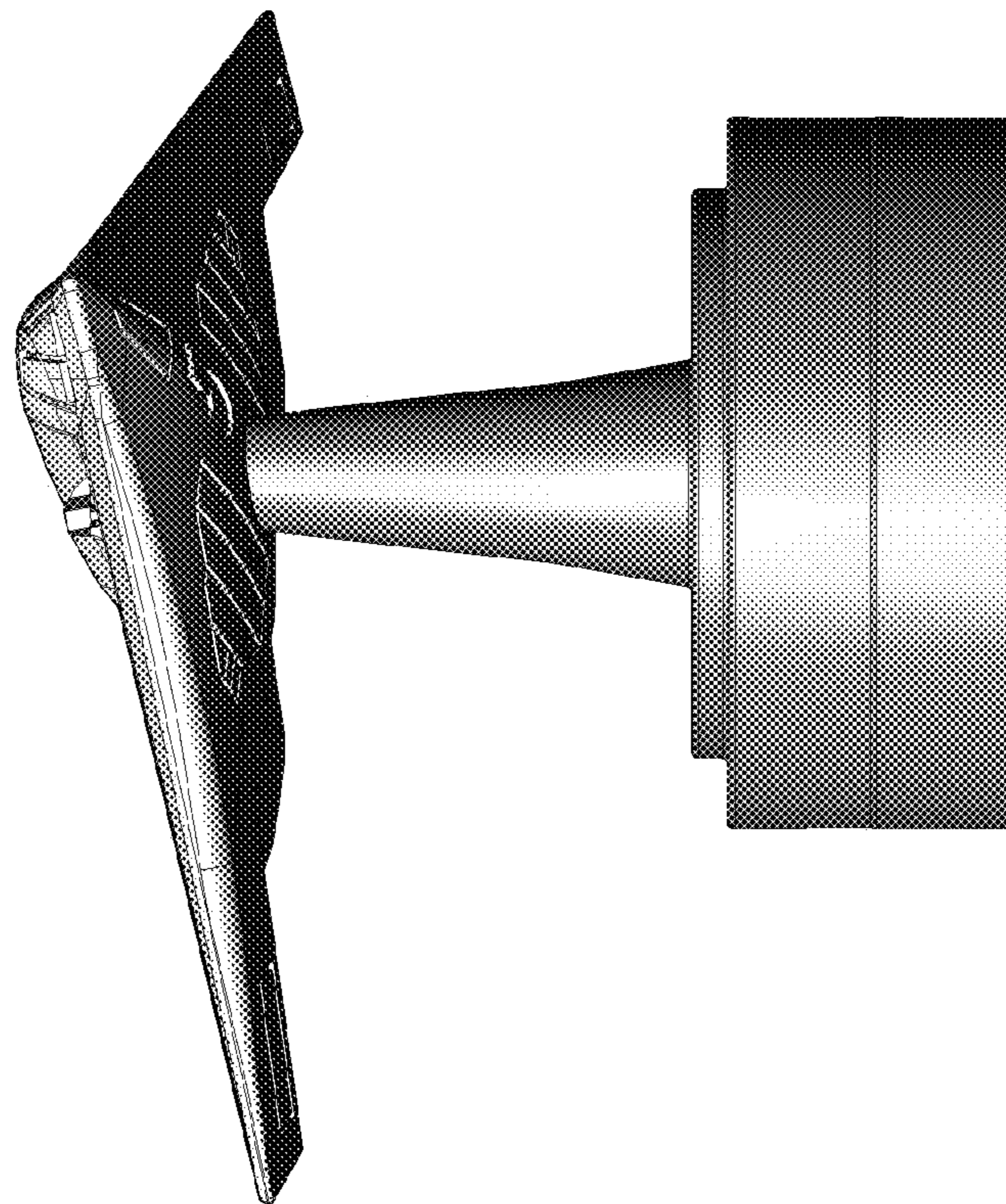


FIG. 28

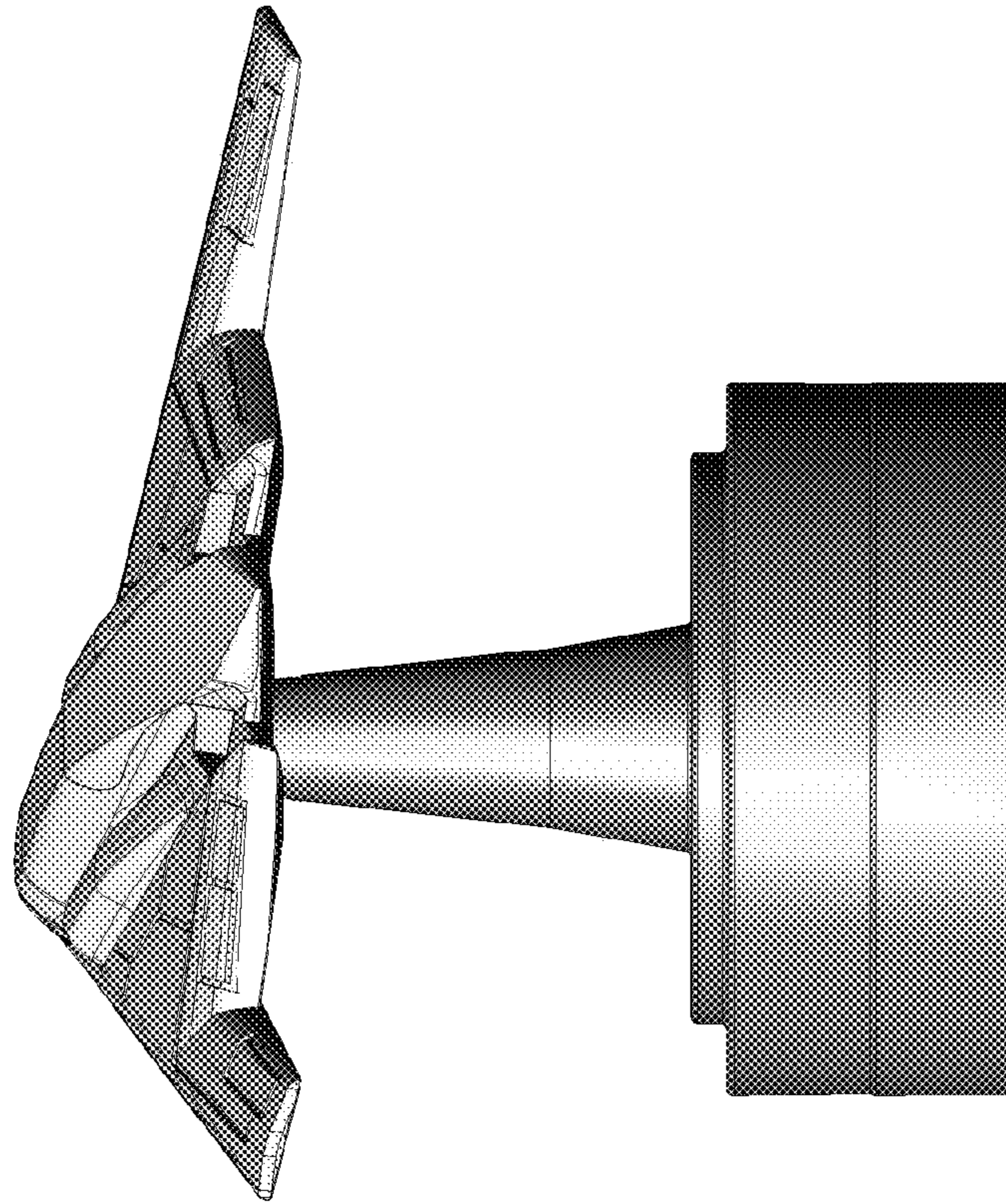


FIG. 29

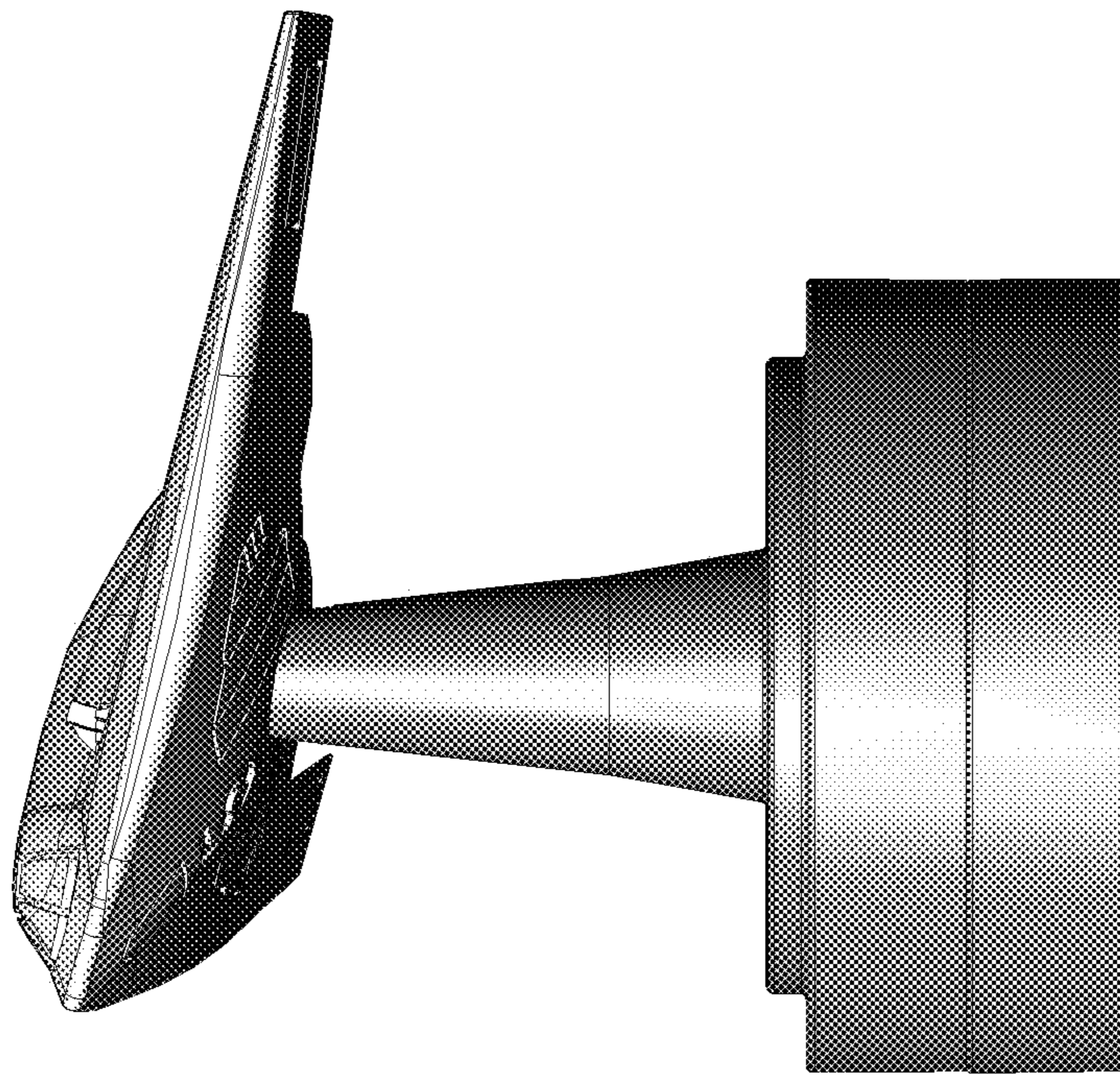


FIG. 30

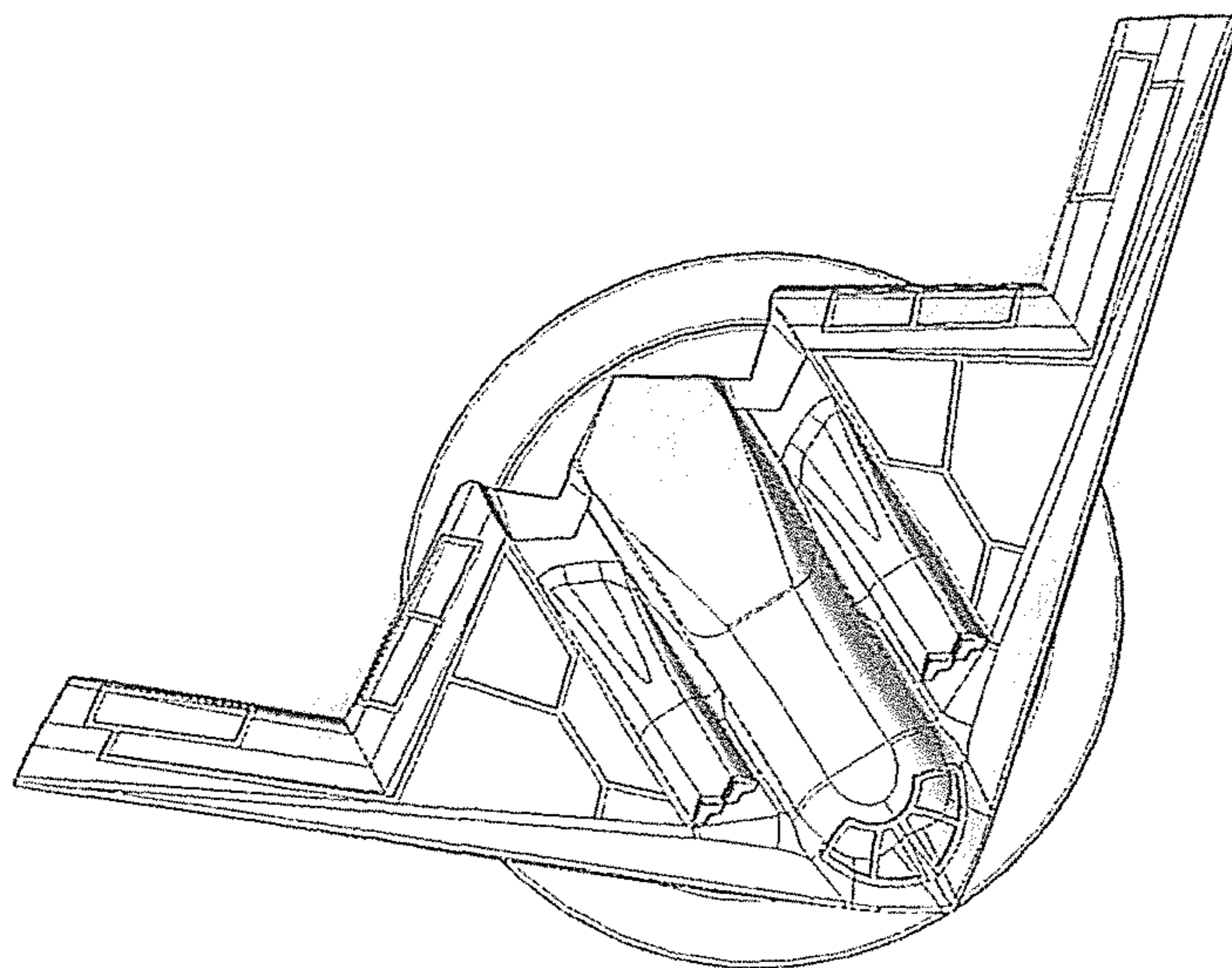


FIG. 31

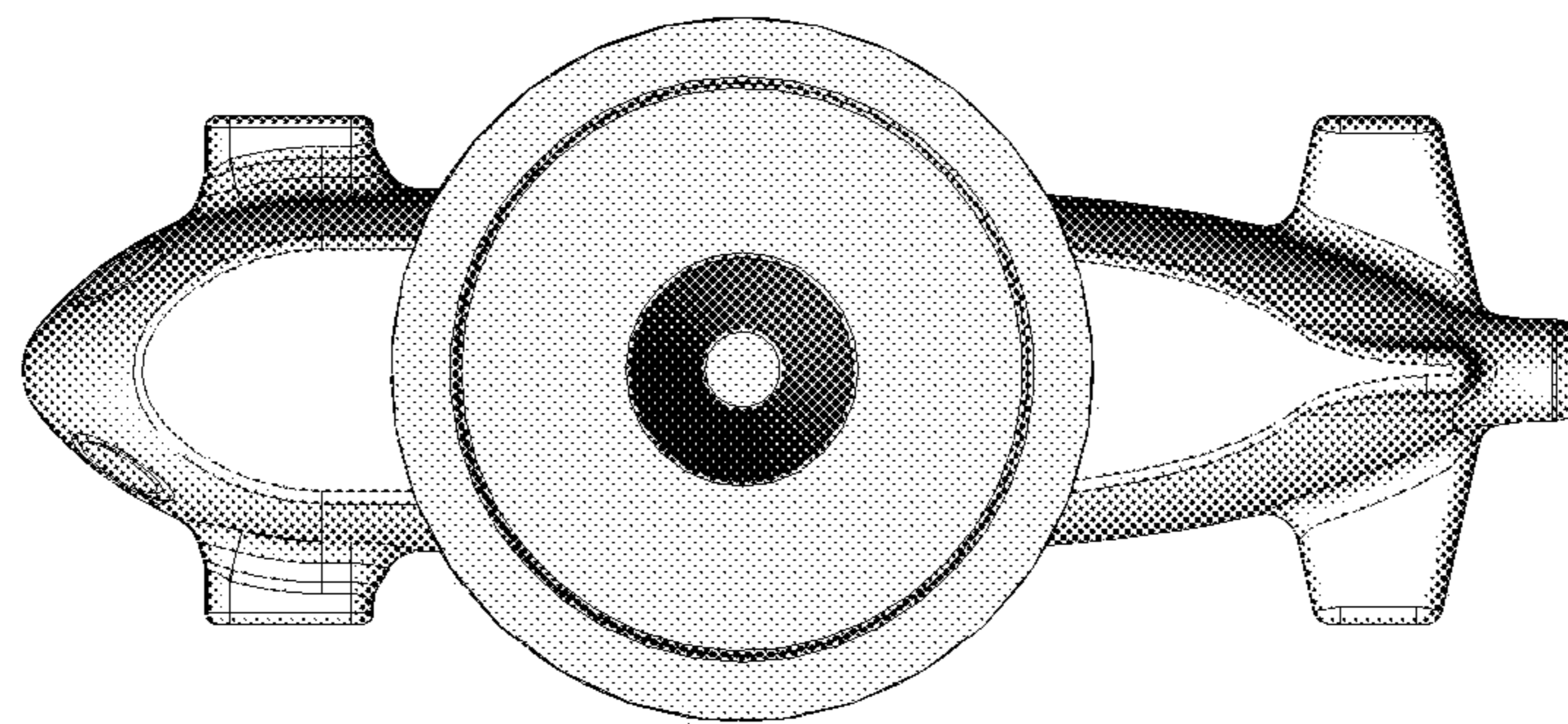


FIG. 32

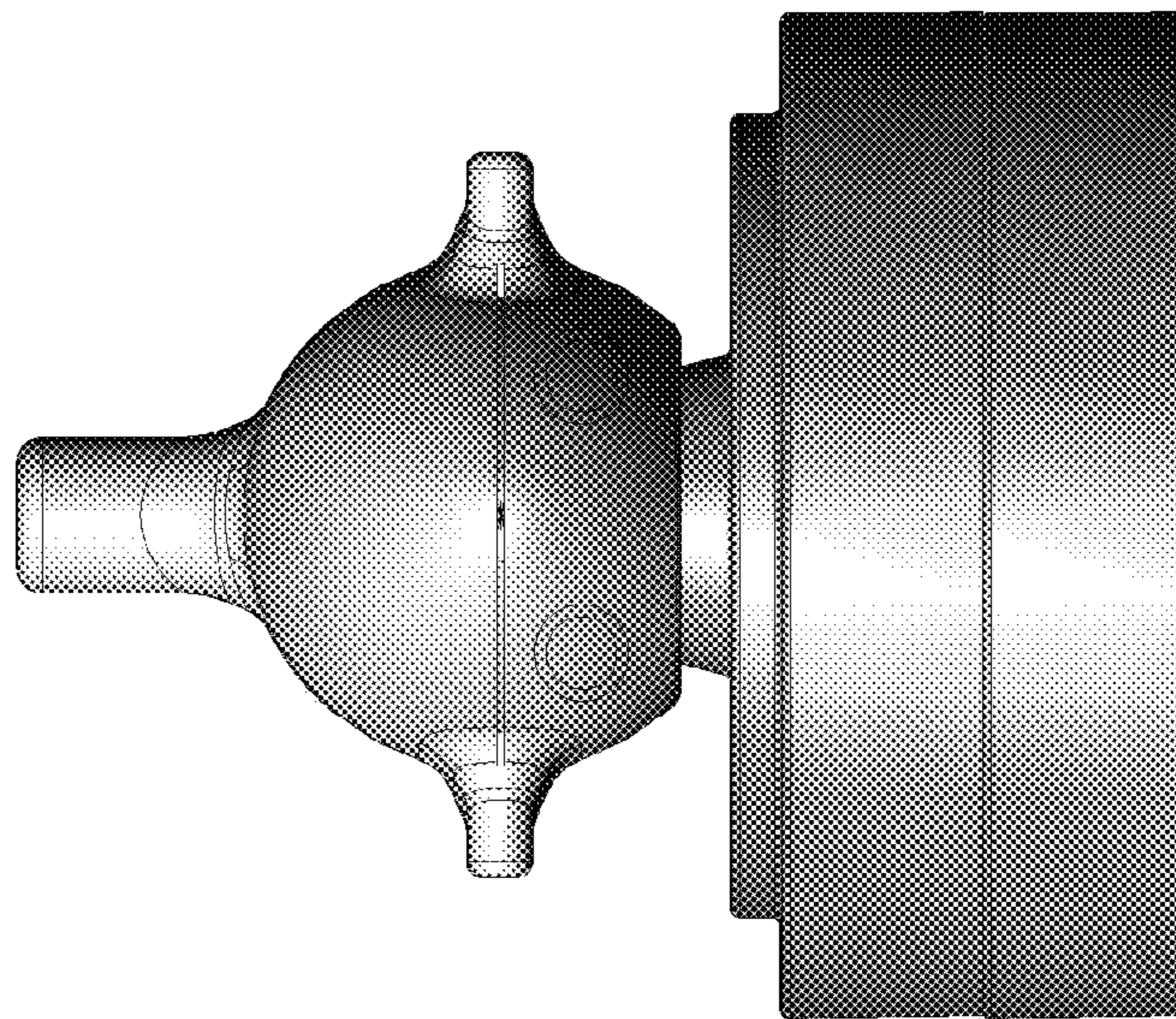


FIG. 33

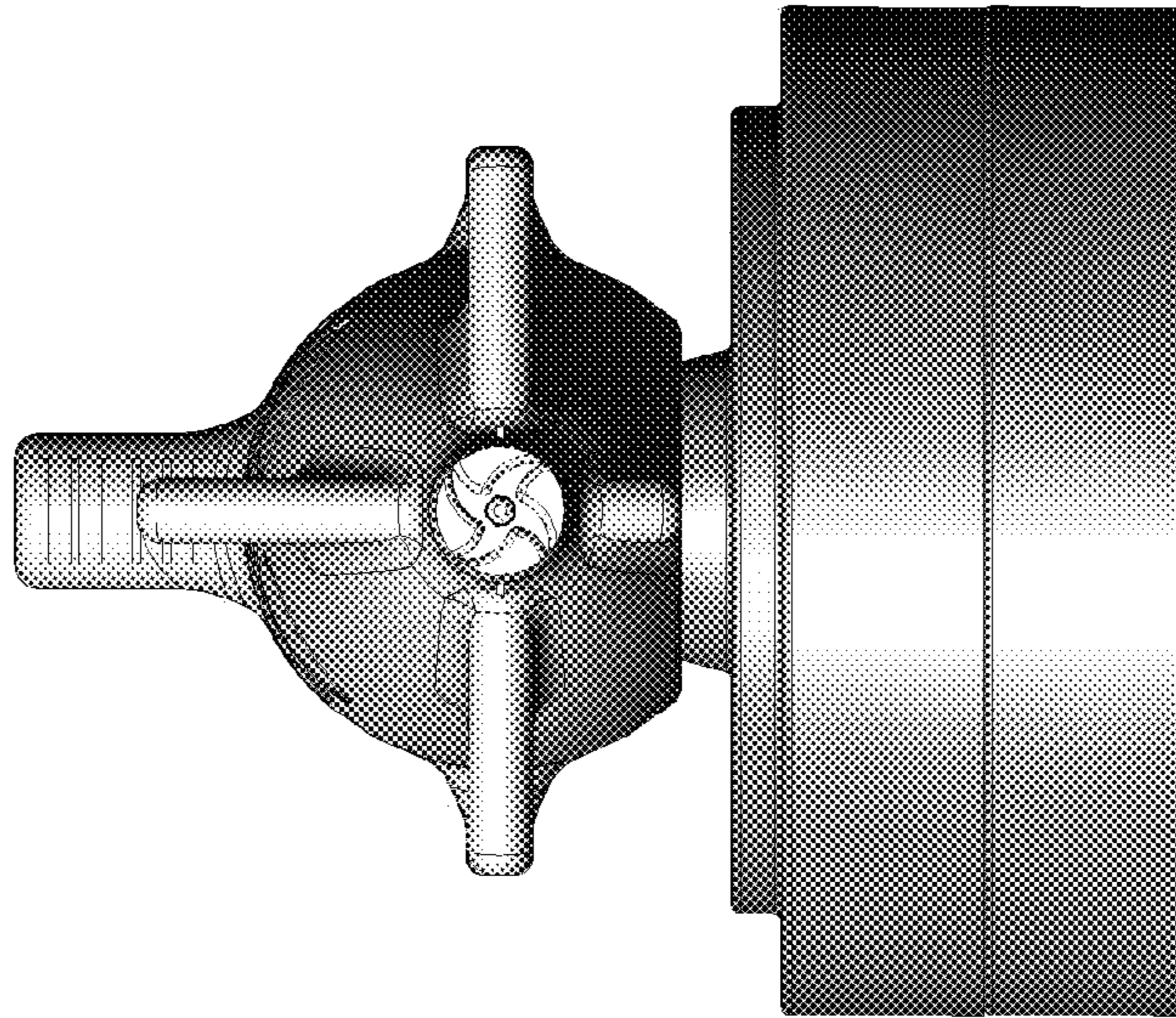


FIG. 34

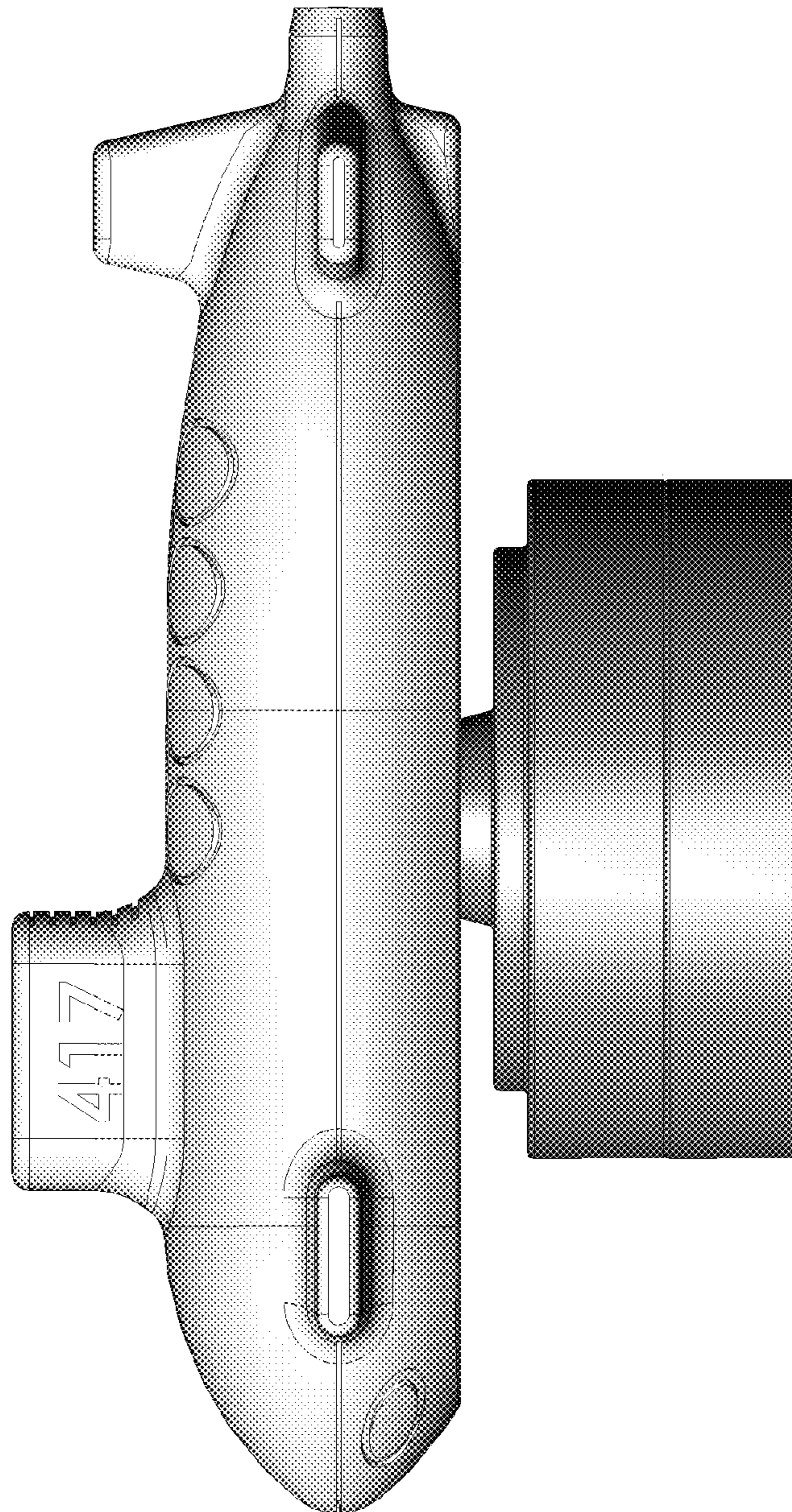


FIG. 35

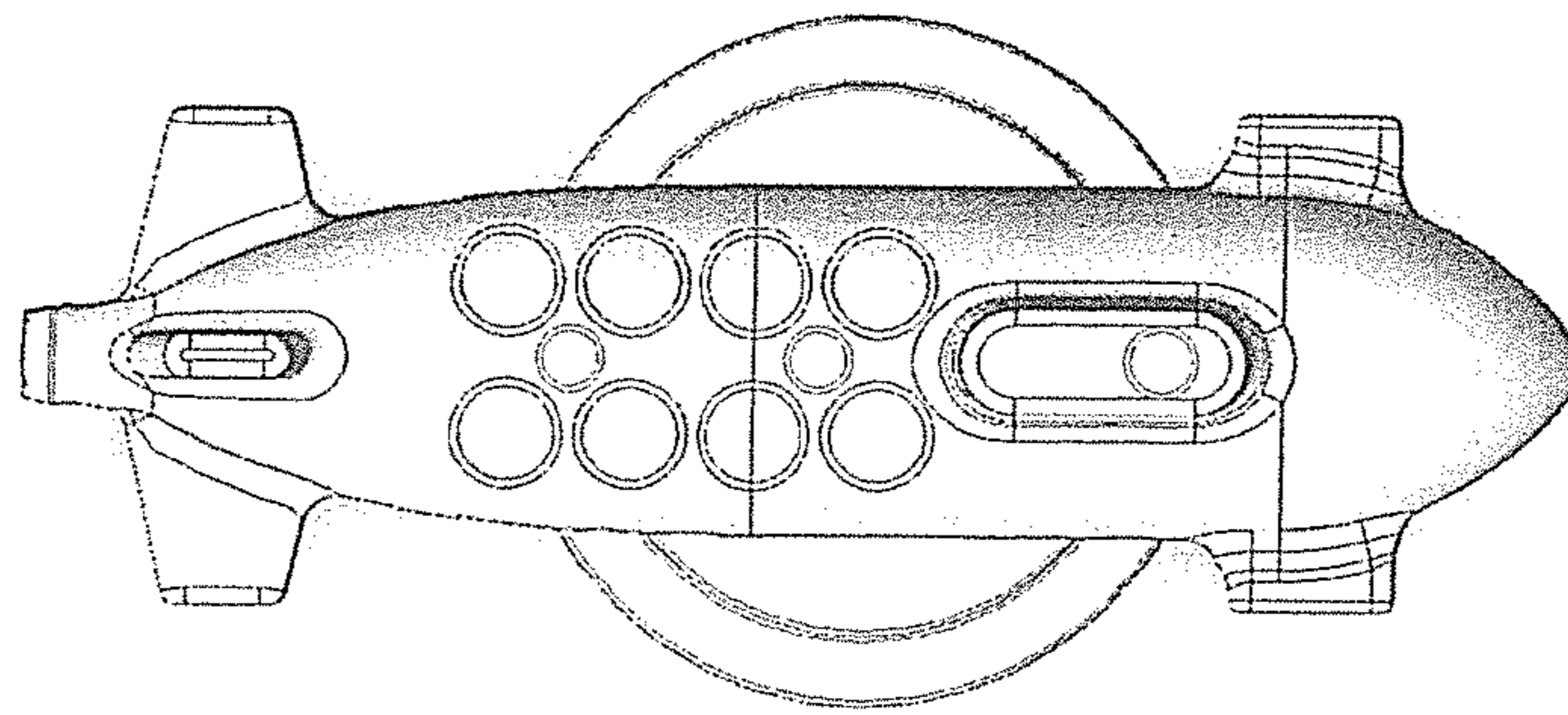


FIG. 36

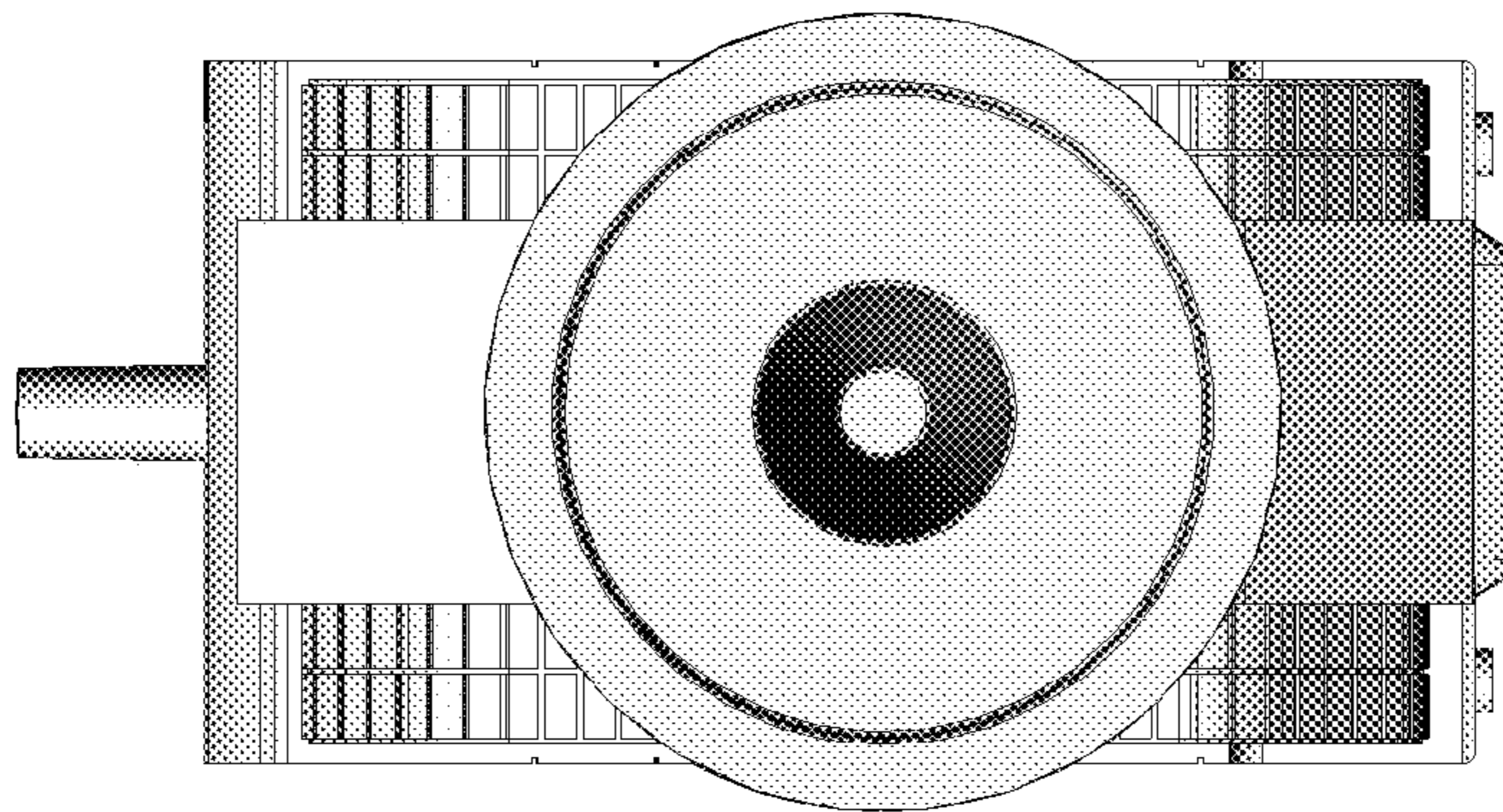


FIG. 37

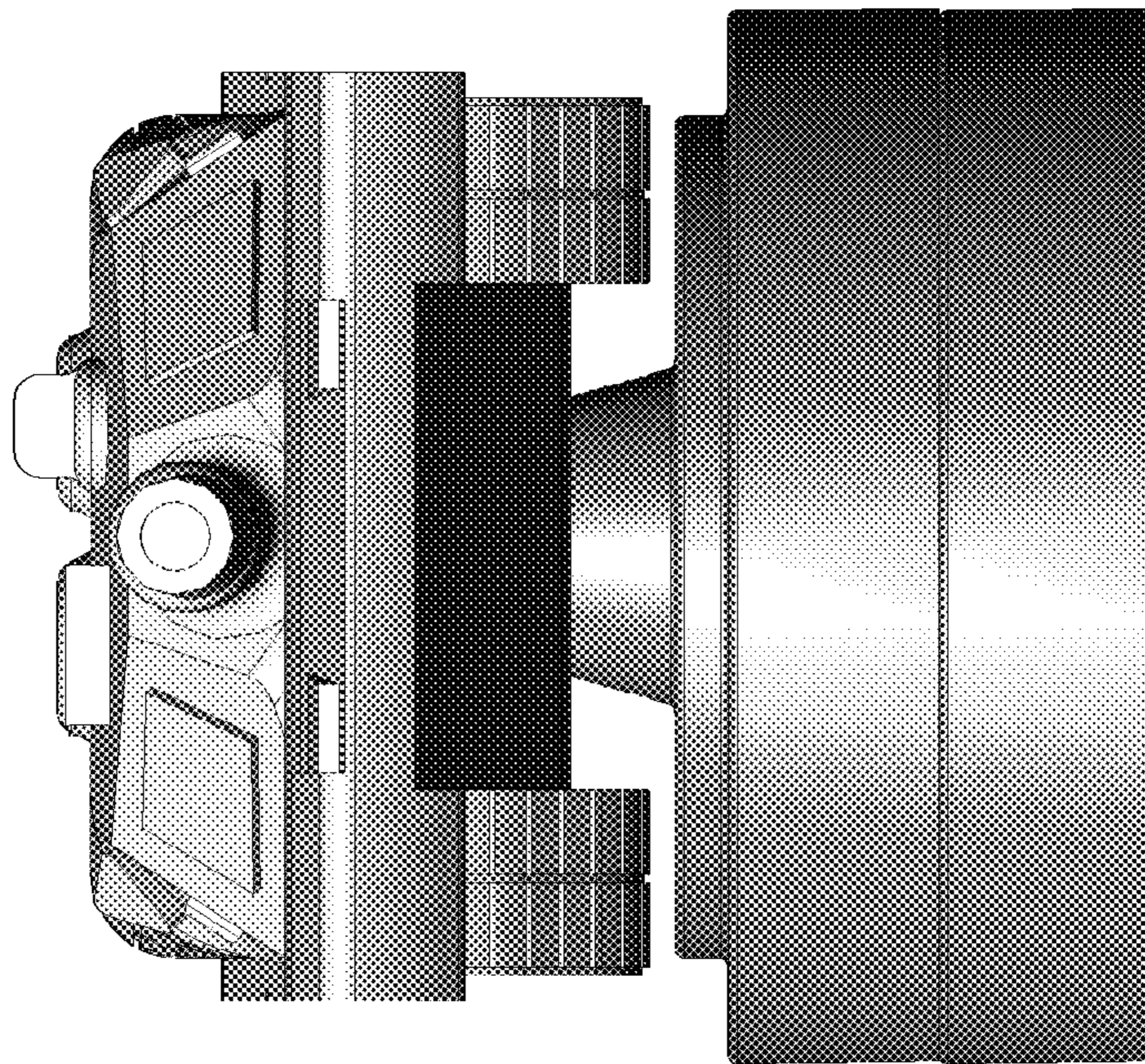


FIG. 38

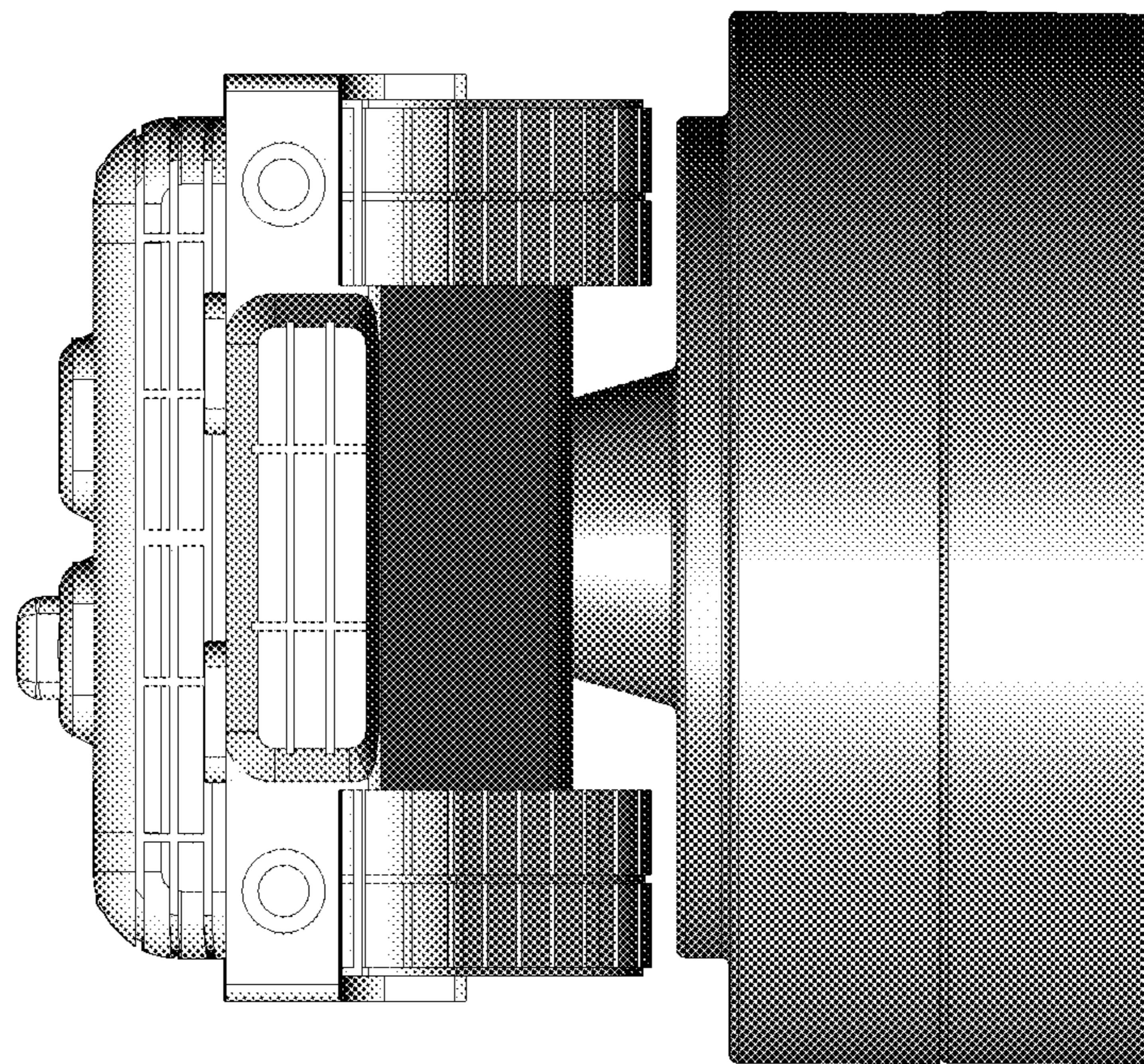


FIG. 39

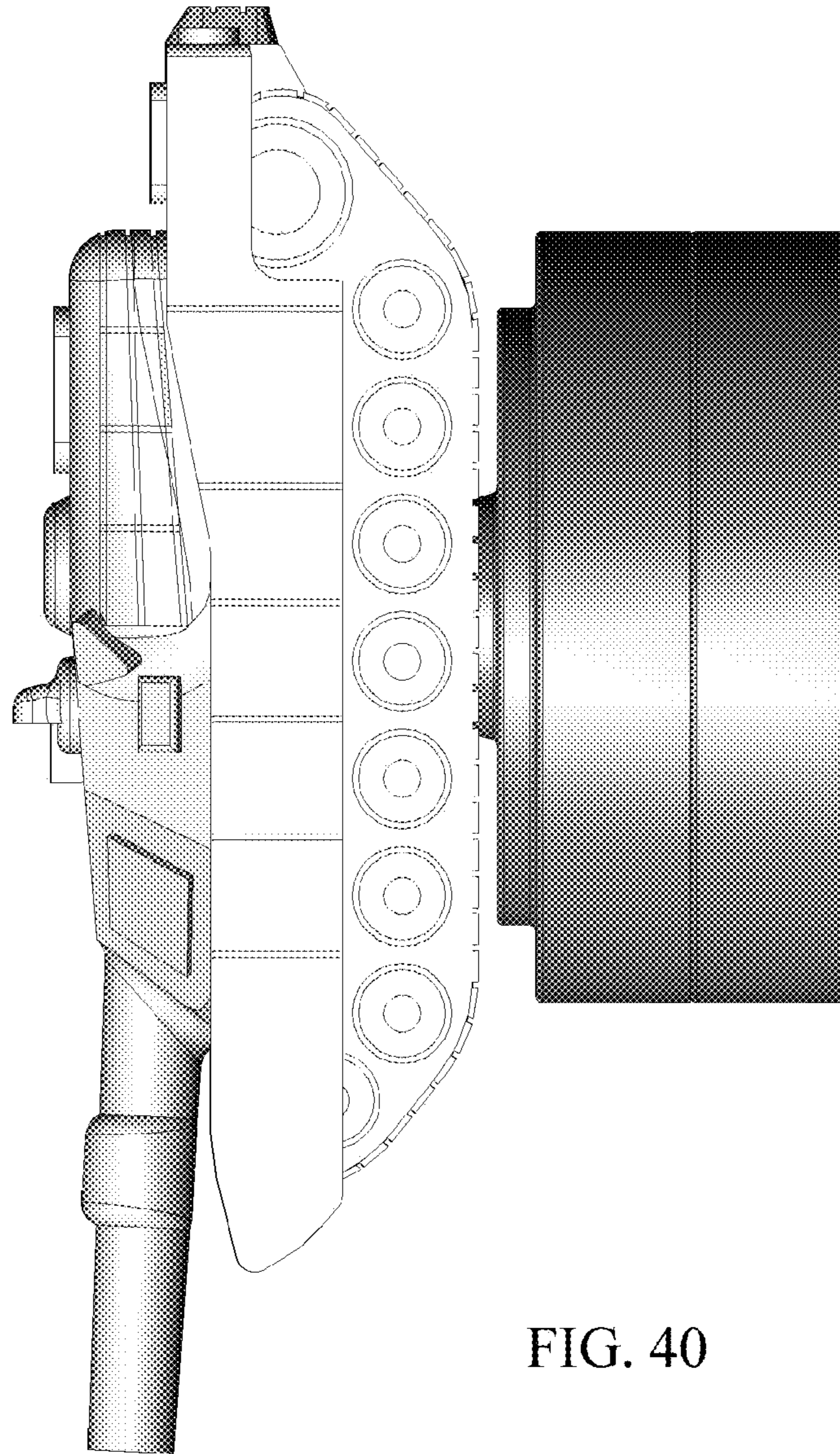


FIG. 40

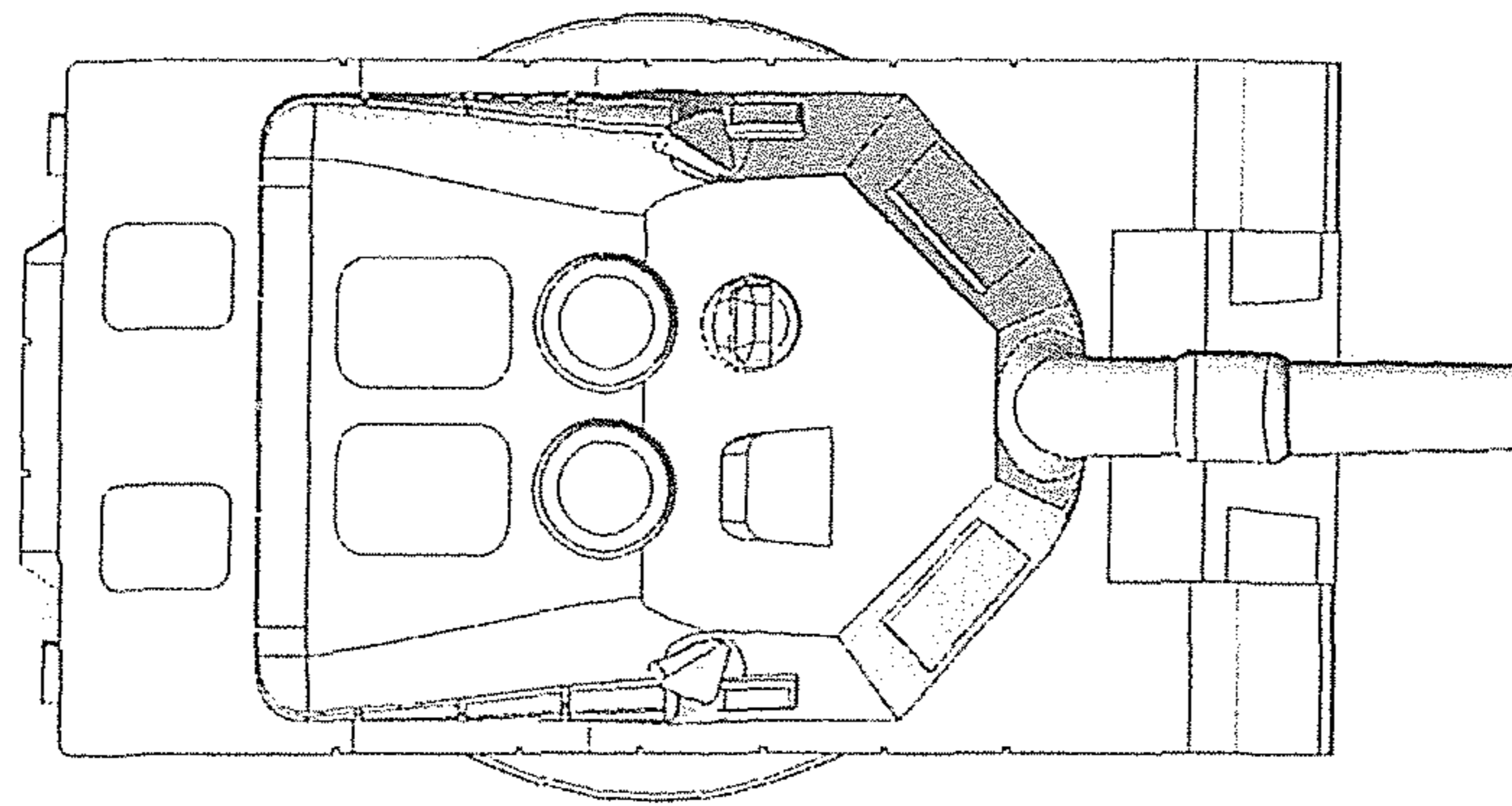


FIG. 41