



US00D714872S

(12) **United States Design Patent**  
**Chung et al.**

(10) **Patent No.:** **US D714,872 S**  
(45) **Date of Patent:** **\*\* Oct. 7, 2014**

(54) **GAME CONTROLLER ATTACHMENT  
DEVICE**

(71) Applicant: **Sony Computer Entertainment Inc.**,  
Tokyo (JP)

(72) Inventors: **Dana Chung**, Foster City, CA (US);  
**Ennin Huang**, Santa Clara, CA (US)

(73) Assignee: **Sony Computer Entertainment  
America LLC**, San Mateo, CA (US)

(\*\*) Term: **14 Years**

(21) Appl. No.: **29/456,267**

(22) Filed: **May 29, 2013**

(51) **LOC (10) Cl.** ..... **21-01**

(52) **U.S. Cl.**  
USPC ..... **D21/333; D14/401**

(58) **Field of Classification Search**  
CPC ..... A63F 13/02; A63F 9/22; G09G 5/08  
USPC ..... D14/399-401, 412-416, 217, 496, 454;  
D21/324, 333, 328; 273/148 B; 463/1,  
463/29-39, 46, 47; 345/156-161, 905, 30  
See application file for complete search history.

(56) **References Cited**

**U.S. PATENT DOCUMENTS**

5,036,239 A \* 7/1991 Yamaguchi ..... 310/268  
6,769,689 B1 \* 8/2004 Shimomura et al. .... 273/148 B

7,314,413 B2 \* 1/2008 Ogata et al. .... 463/37  
D570,854 S \* 6/2008 Harris ..... D14/454  
7,448,597 B2 \* 11/2008 Jacobson et al. .... 254/274  
D587,717 S \* 3/2009 Harris ..... D14/454  
7,762,553 B2 \* 7/2010 Harris ..... 273/148 B  
D666,681 S \* 9/2012 Coulter ..... D21/454  
D669,078 S \* 10/2012 Lovoi et al. .... D14/401

\* cited by examiner

*Primary Examiner* — Prabhakar Deshmukh

(74) *Attorney, Agent, or Firm* — Martine Penilla Group, LLP

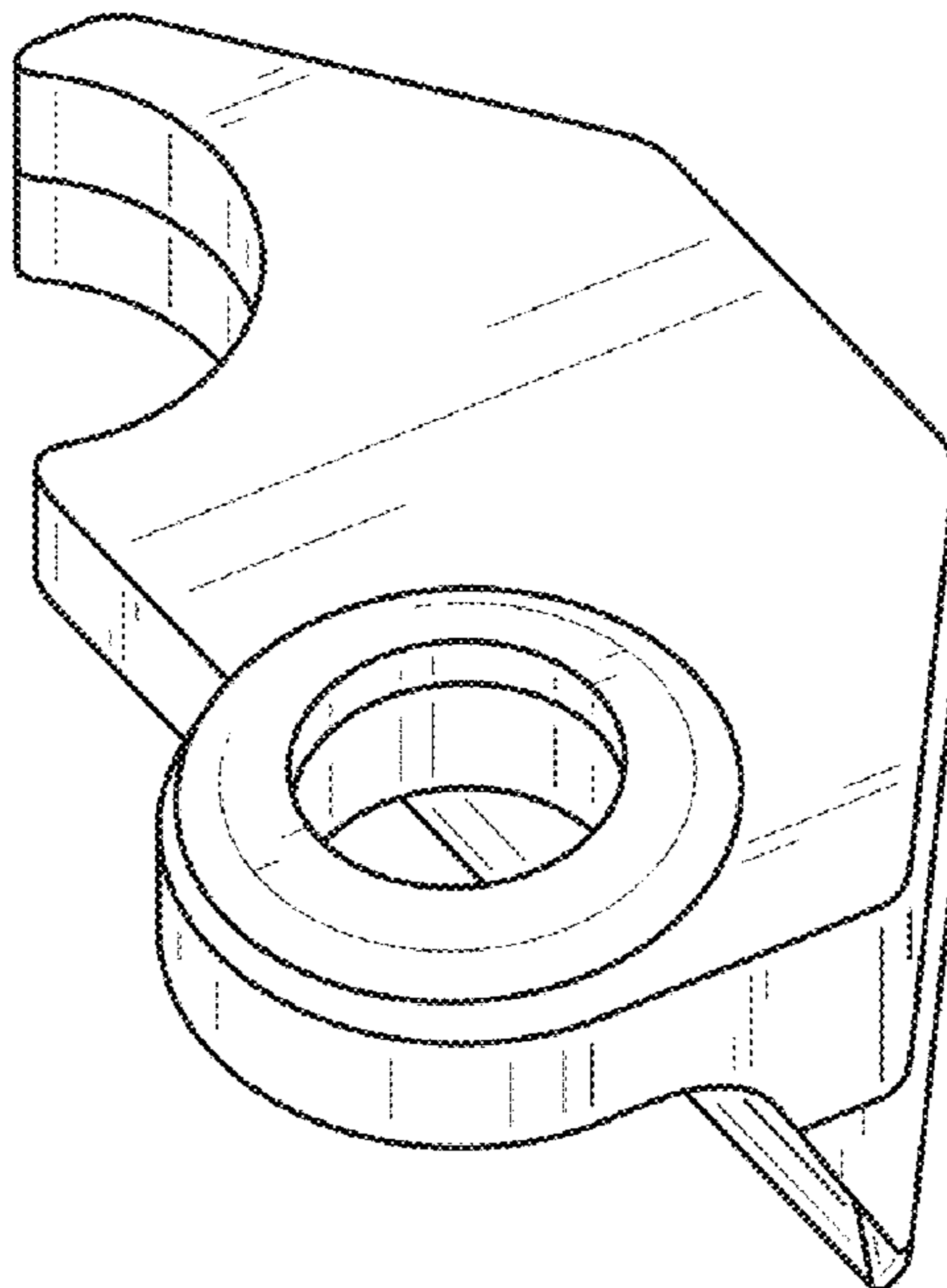
(57) **CLAIM**

The ornamental design for a game controller attachment device, as shown and described.

**DESCRIPTION**

FIG. 1 is a perspective view of our game controller attachment device;  
FIG. 2 is a top view thereof;  
FIG. 3 is a bottom view thereof;  
FIG. 4 is a left side view thereof;  
FIG. 5 is a right side view thereof;  
FIG. 6 is a bottom edge view thereof;  
FIG. 7 is a top edge view thereof; and,  
FIG. 8 is another perspective view of our game controller attachment device, shown in relation to a controller.  
The broken lines environment in FIG. 8 is for illustrative purpose only and forms no part of the claimed design.

**1 Claim, 5 Drawing Sheets**



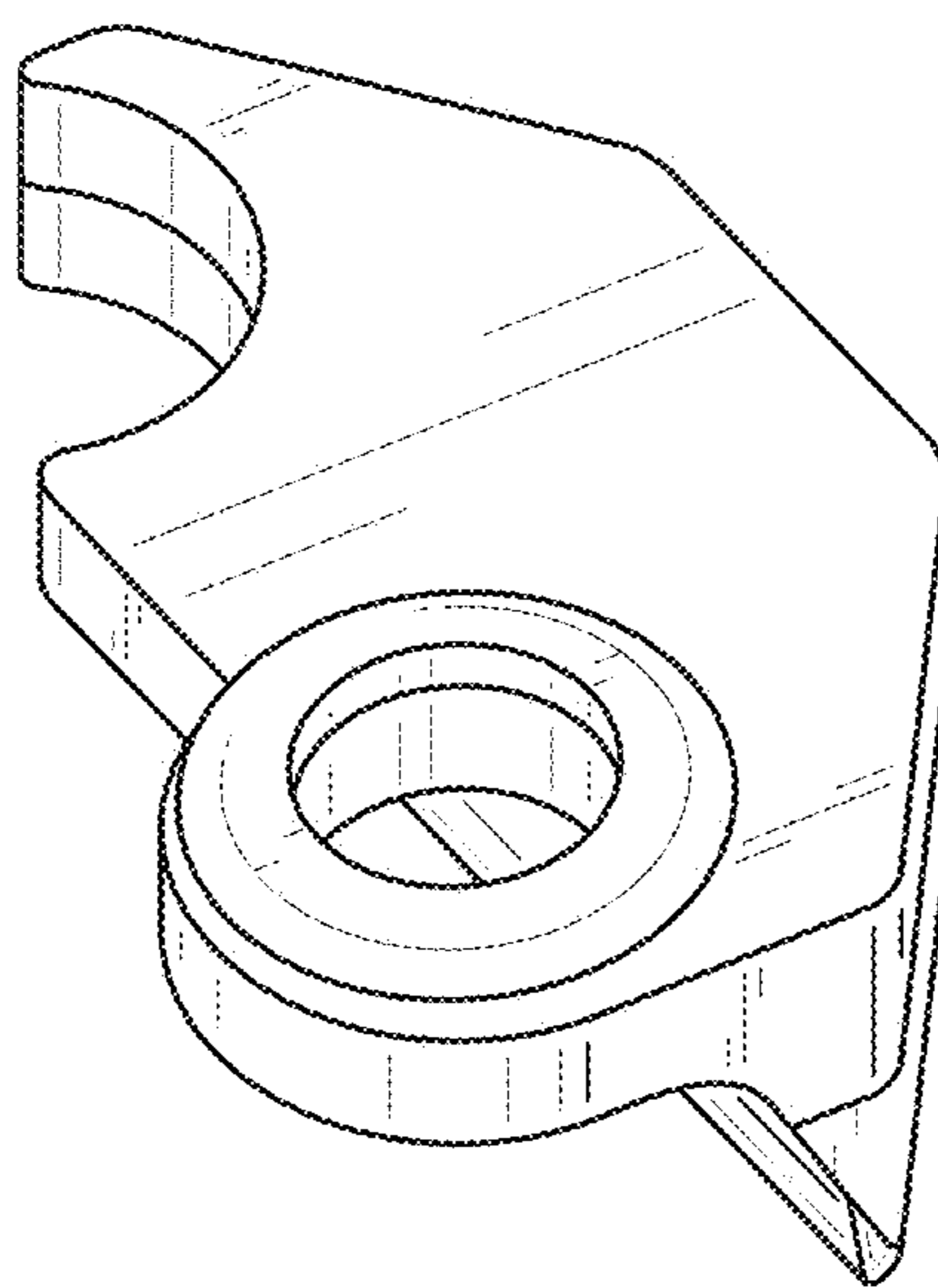


FIG. 1

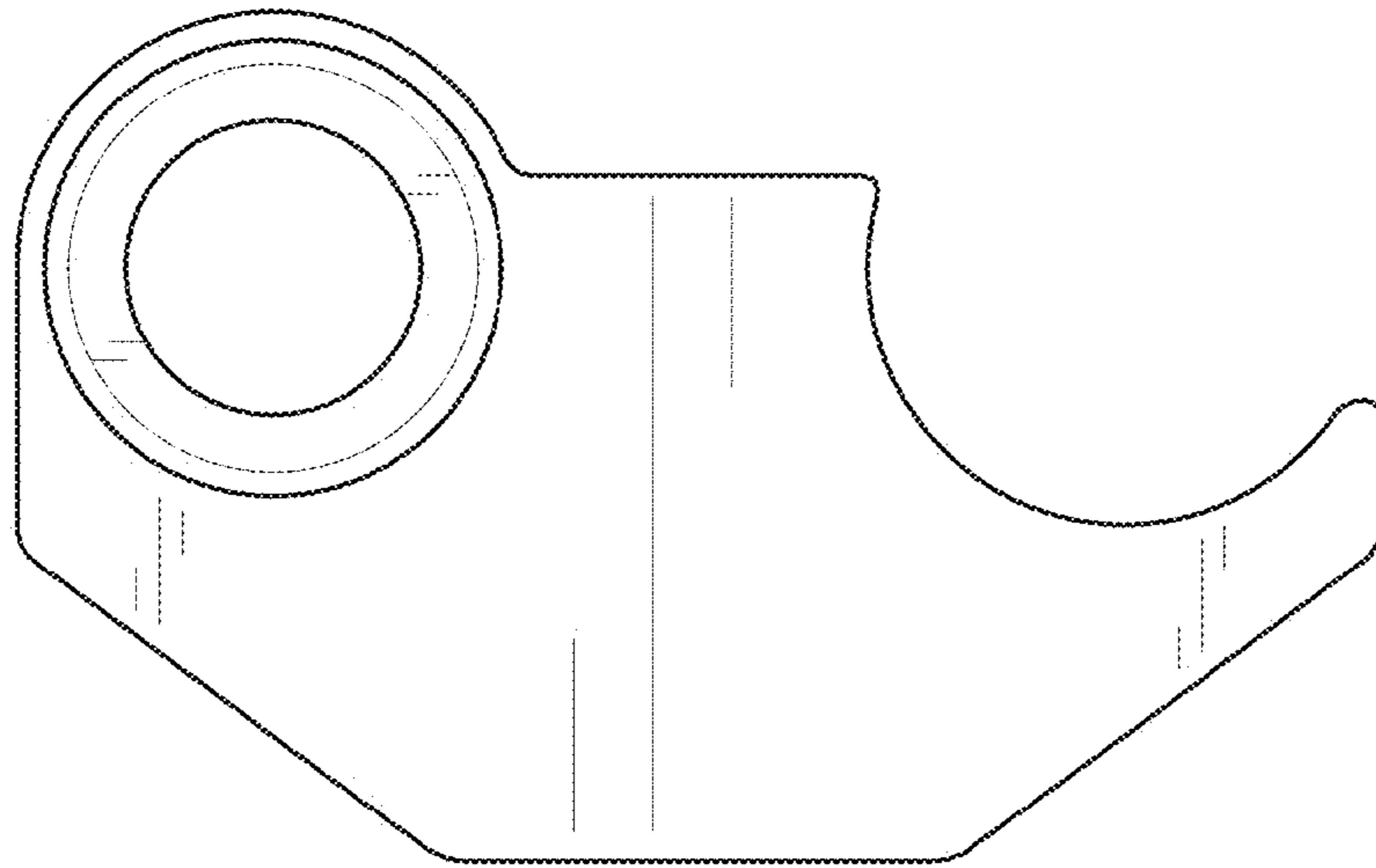


FIG. 2

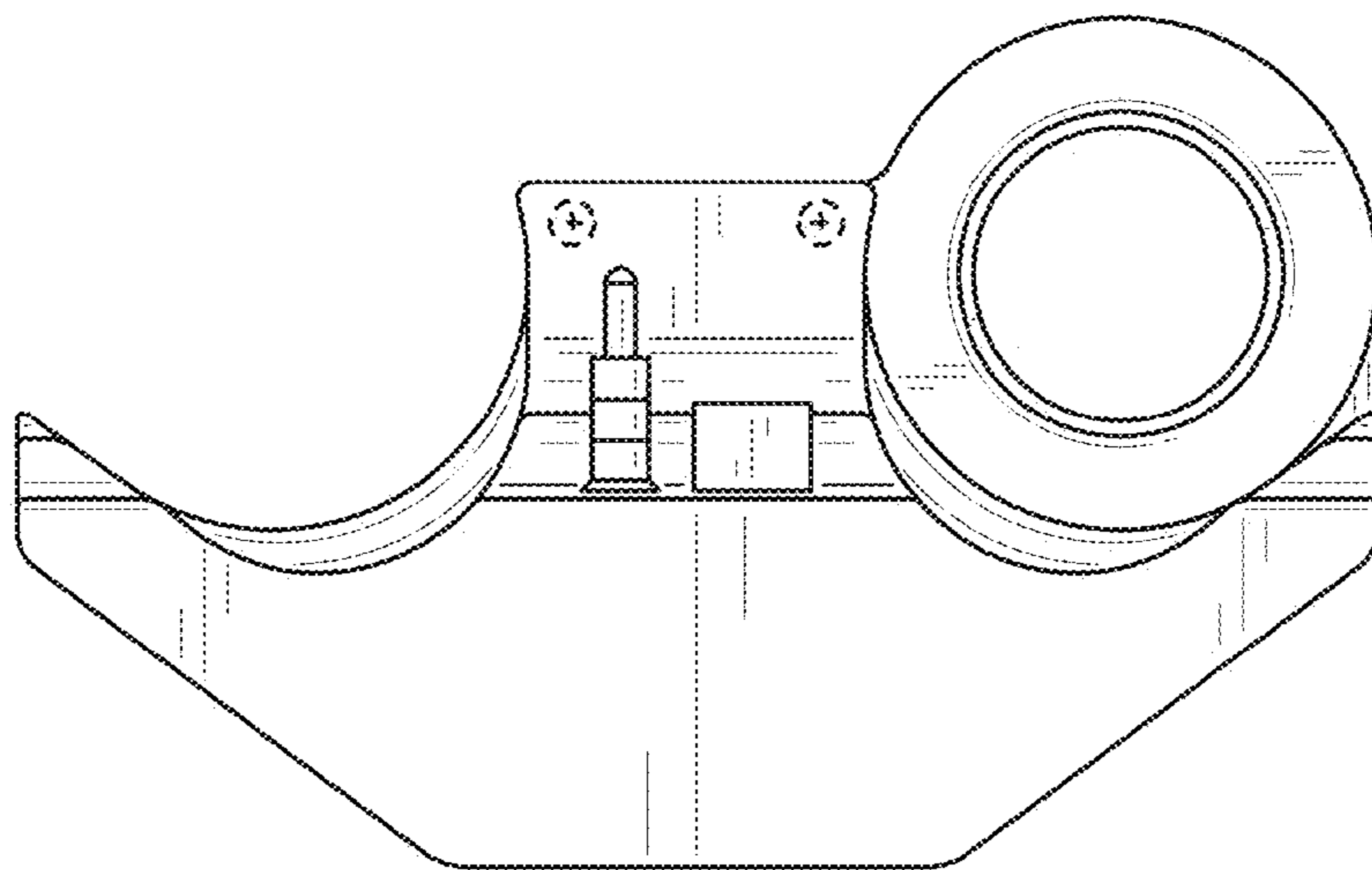


FIG. 3

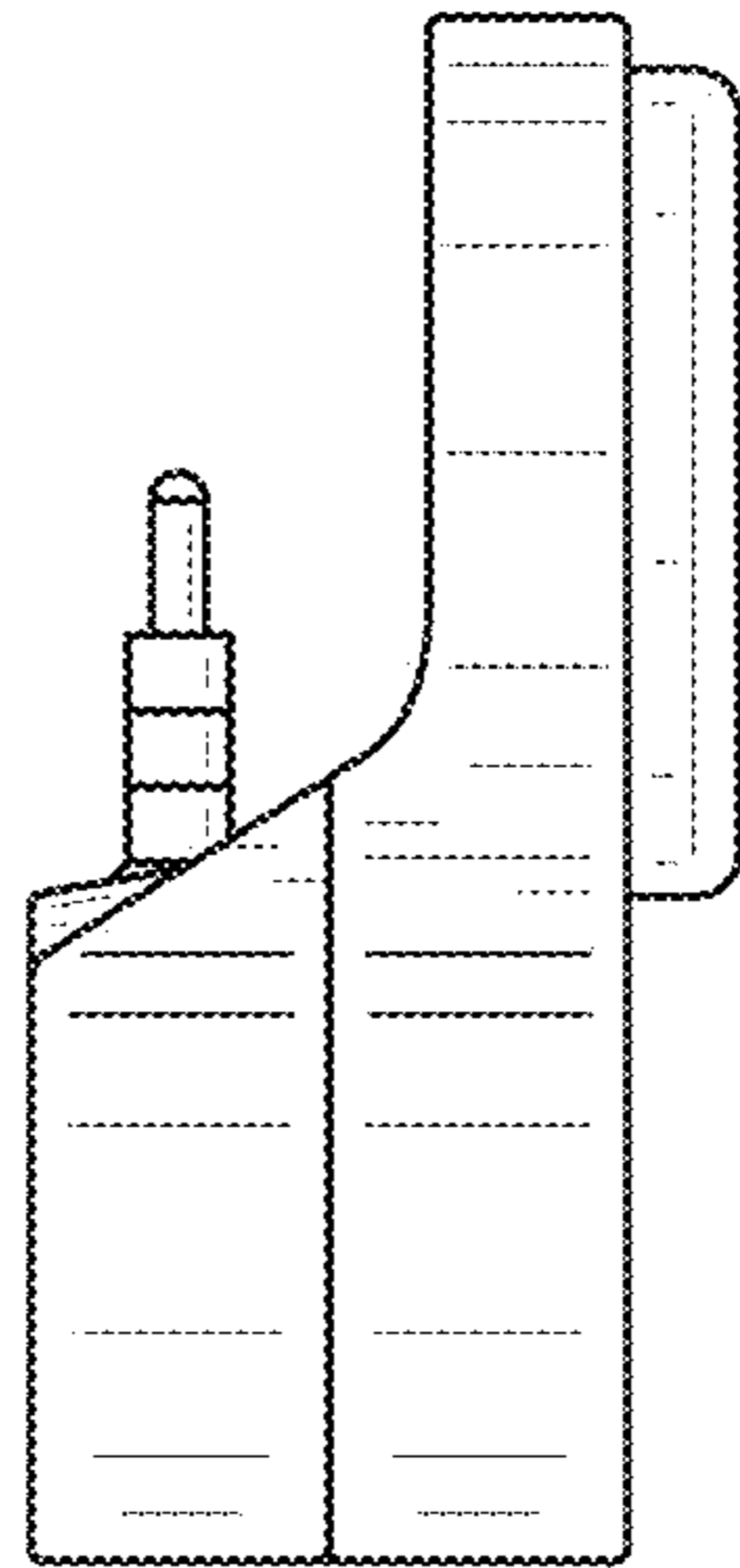


FIG. 4

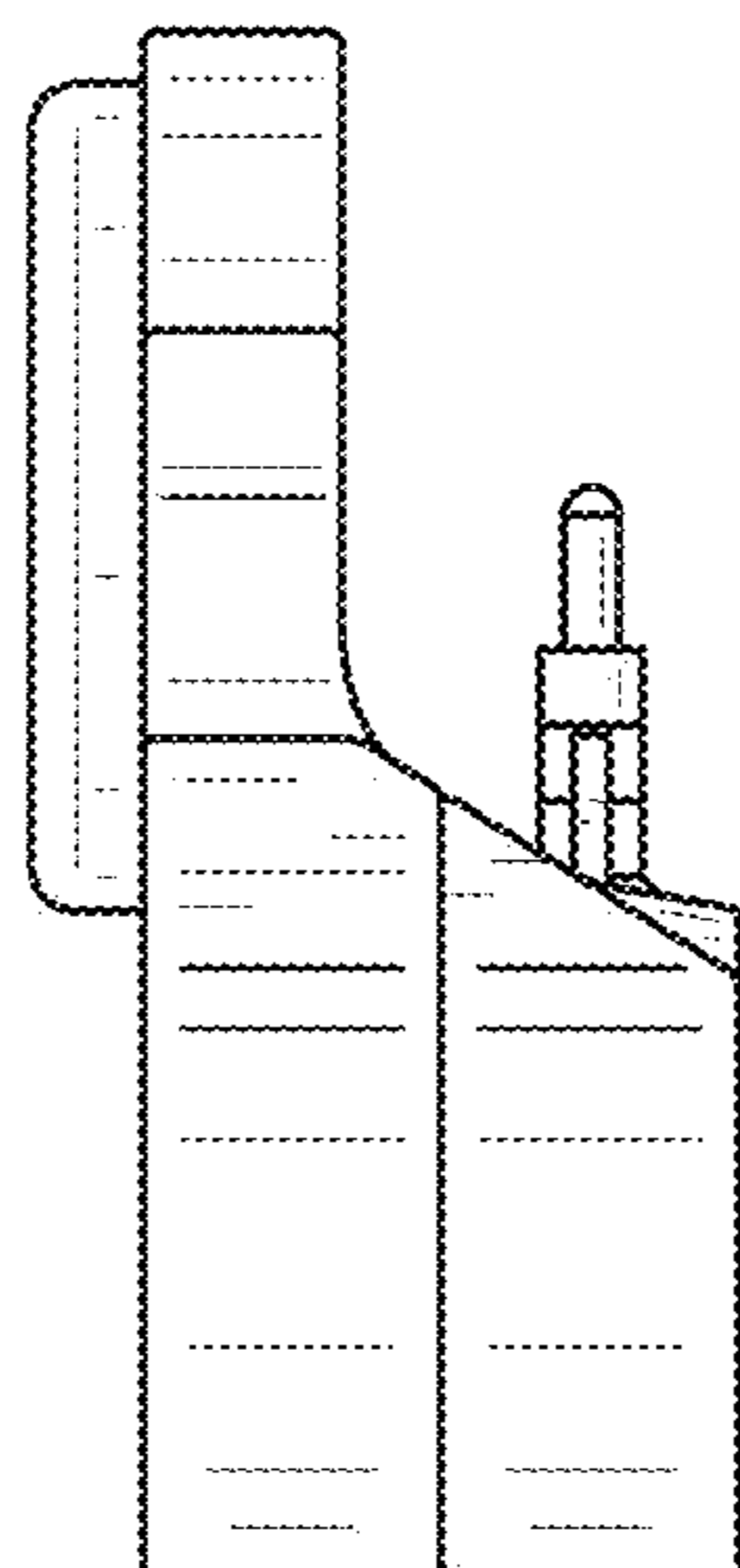


FIG. 5

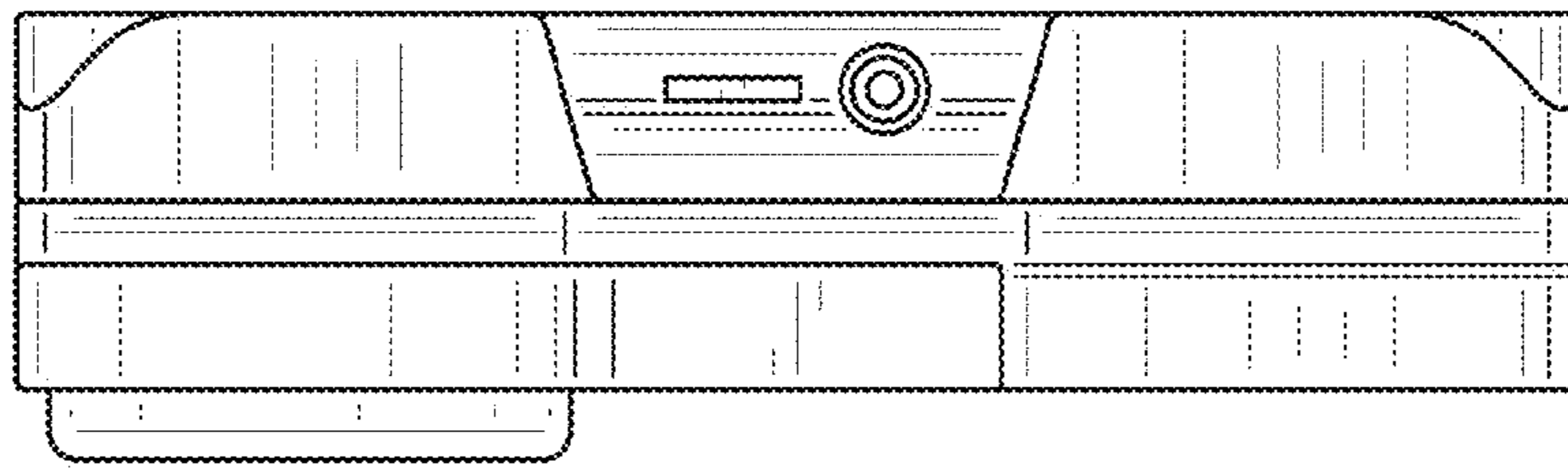


FIG. 6

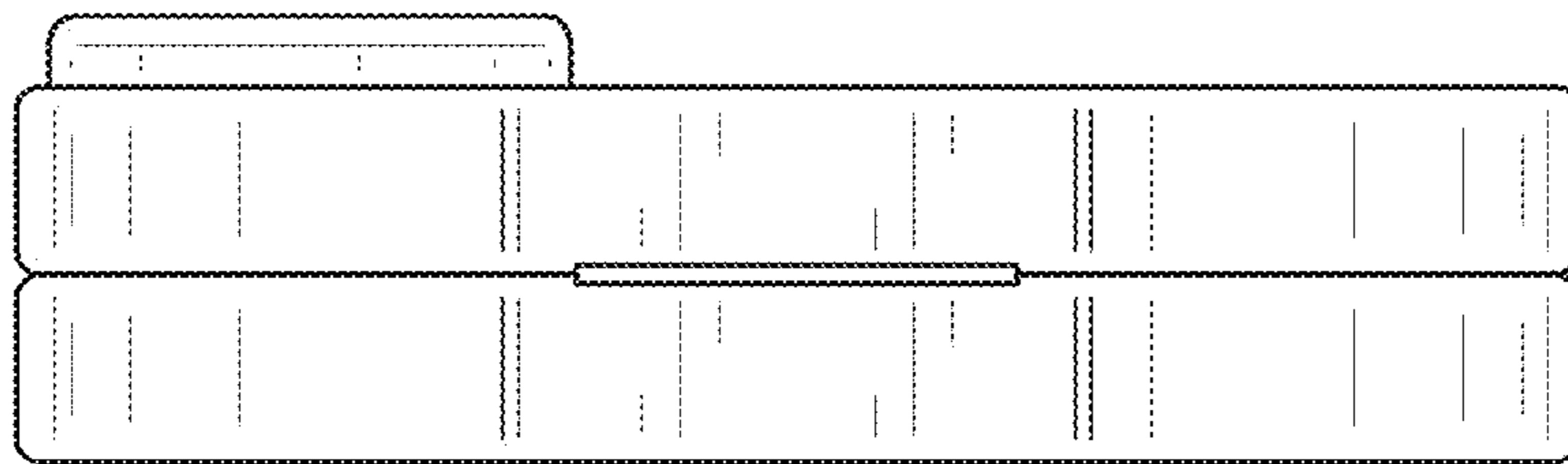


FIG. 7

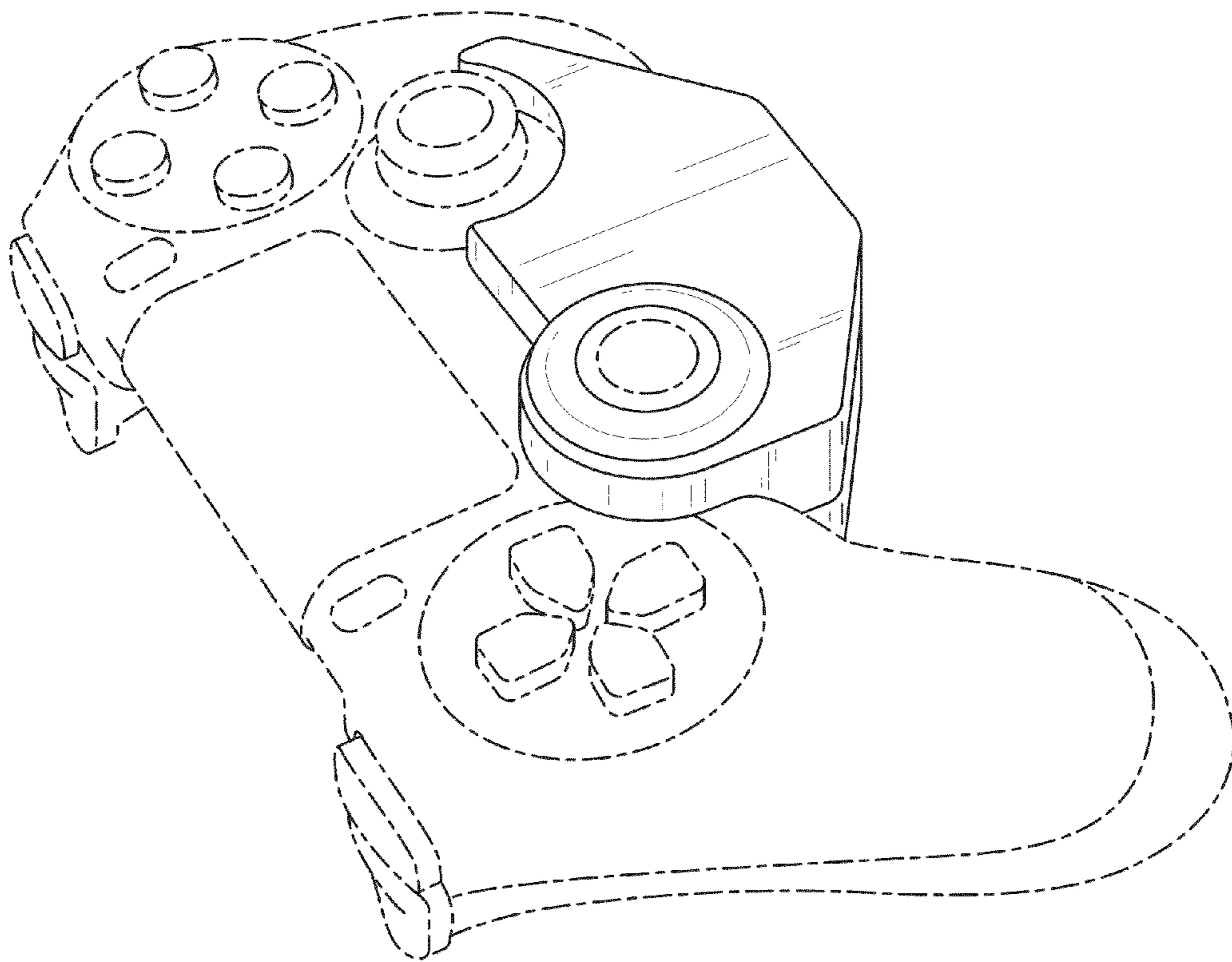


FIG. 8