



US00D714871S

(12) **United States Design Patent**
Dysart

(10) **Patent No.:** **US D714,871 S**
(45) **Date of Patent:** **** Oct. 7, 2014**

(54) **PORTABLE DIGITAL DISPLAY**

(56) **References Cited**

(75) Inventor: **Arthur Lytell Dysart**, Richmond, TX
(US)

U.S. PATENT DOCUMENTS

(73) Assignee: **Brysart Associates L.L.C.**, Richmond,
TX (US)

638,233	A *	12/1899	Gavett	40/624
2,546,236	A *	3/1951	Pflueger	40/472
3,579,880	A *	5/1971	Murphy	40/473
D319,668	S *	9/1991	Hector, Sr.	D20/21
5,179,944	A *	1/1993	McSymytz	607/114
5,181,334	A *	1/1993	Mima	40/524
5,359,796	A *	11/1994	Werling	40/514
6,677,918	B2 *	1/2004	Yuhara et al.	345/1.3
D618,732	S *	6/2010	Harel	D20/40
8,640,369	B2 *	2/2014	Dysart	40/549
2010/0146830	A1 *	6/2010	Large	40/473

(**) Term: **14 Years**

(21) Appl. No.: **29/428,087**

(22) Filed: **Jul. 25, 2012**

(51) **LOC (10) Cl.** **20-03**

(52) **U.S. Cl.**
USPC **D20/10**

(58) **Field of Classification Search**
CPC G09F 7/00; G09F 7/02; G09F 9/00;
G09F 9/302; G09F 9/3023; G09F 9/33;
G09F 11/14; G09F 11/18; G09F 11/025;
G09F 13/00; G09F 13/02; G09F 13/04;
G09F 13/0404; G09F 15/0006; G09F 19/00;
G09F 21/00; G09F 21/02; G09F 2007/00;
G09F 2013/00; G09F 2013/04; G09F
2013/0454; G09F 2013/0463; G09F 2015/00;
G09F 2019/00; G09G 5/39
USPC D20/10, 12, 17-19, 39, 41, 42, 99;
40/68, 446-448, 453, 459, 472, 473,
40/489, 491, 514, 525, 538, 541, 542, 559,
40/564, 568, 572, 584, 586, 600, 605,
40/606.03, 606.18, 617, 618, 624;
D10/109.1, 109.2, 113.4; D14/374;
345/1.3, 4-6; 362/812

See application file for complete search history.

* cited by examiner

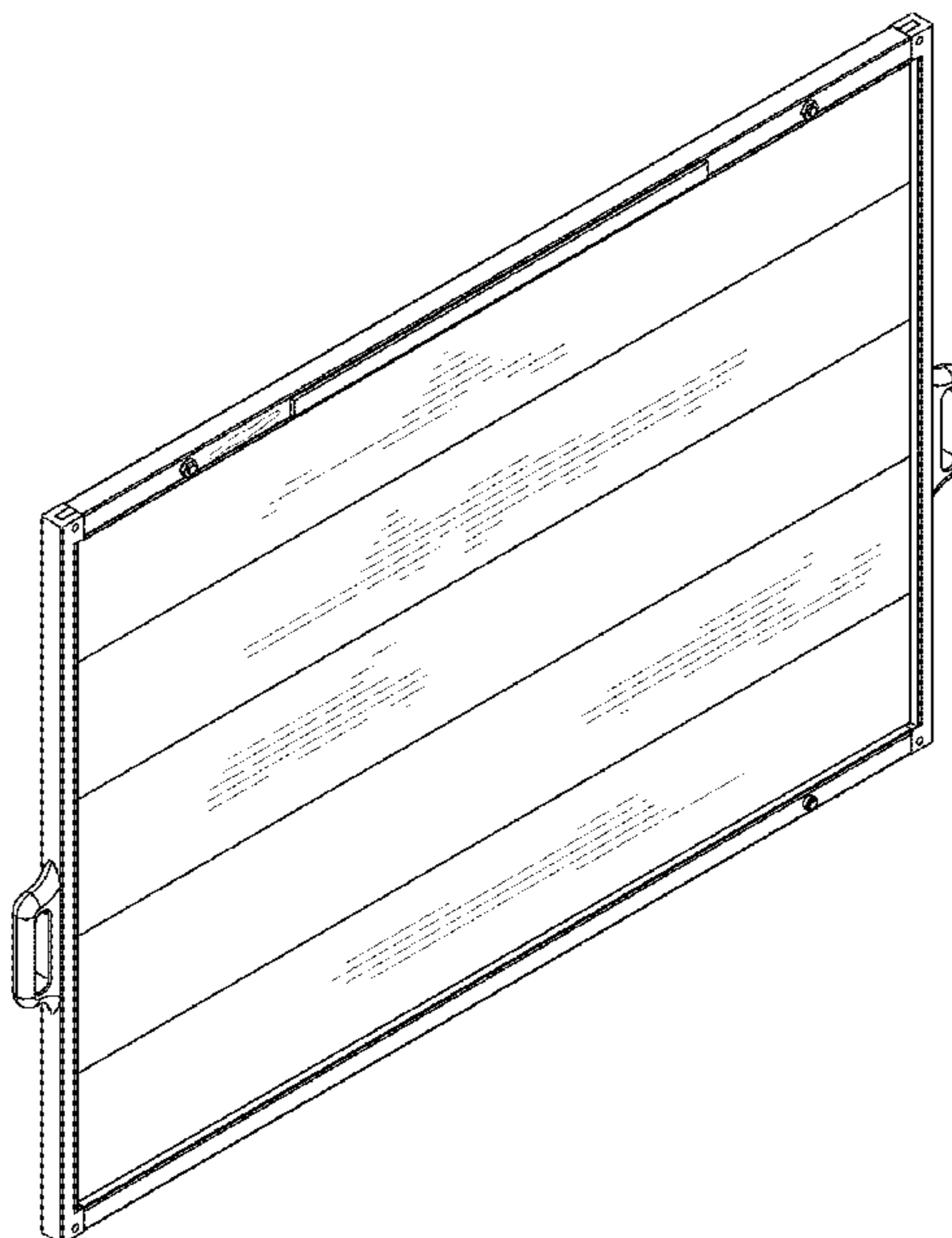
Primary Examiner — Mary Ann Calabrese
(74) *Attorney, Agent, or Firm* — Schiff Hardin LLP

(57) **CLAIM**
The ornamental design for a portable digital display, as shown and described.

DESCRIPTION

FIG. 1 is a front perspective view of a portable digital display, showing my new design;
FIG. 2 is a rear perspective view thereof;
FIG. 3 is a front elevational view thereof;
FIG. 4 is a rear elevational view thereof;
FIG. 5 is a top plan view thereof;
FIG. 6 is a bottom plan view thereof;
FIG. 7 is a left side elevational view thereof; and,
FIG. 8 is a right side elevational view thereof.
A device for displaying alphanumerical characters and symbols.

1 Claim, 8 Drawing Sheets



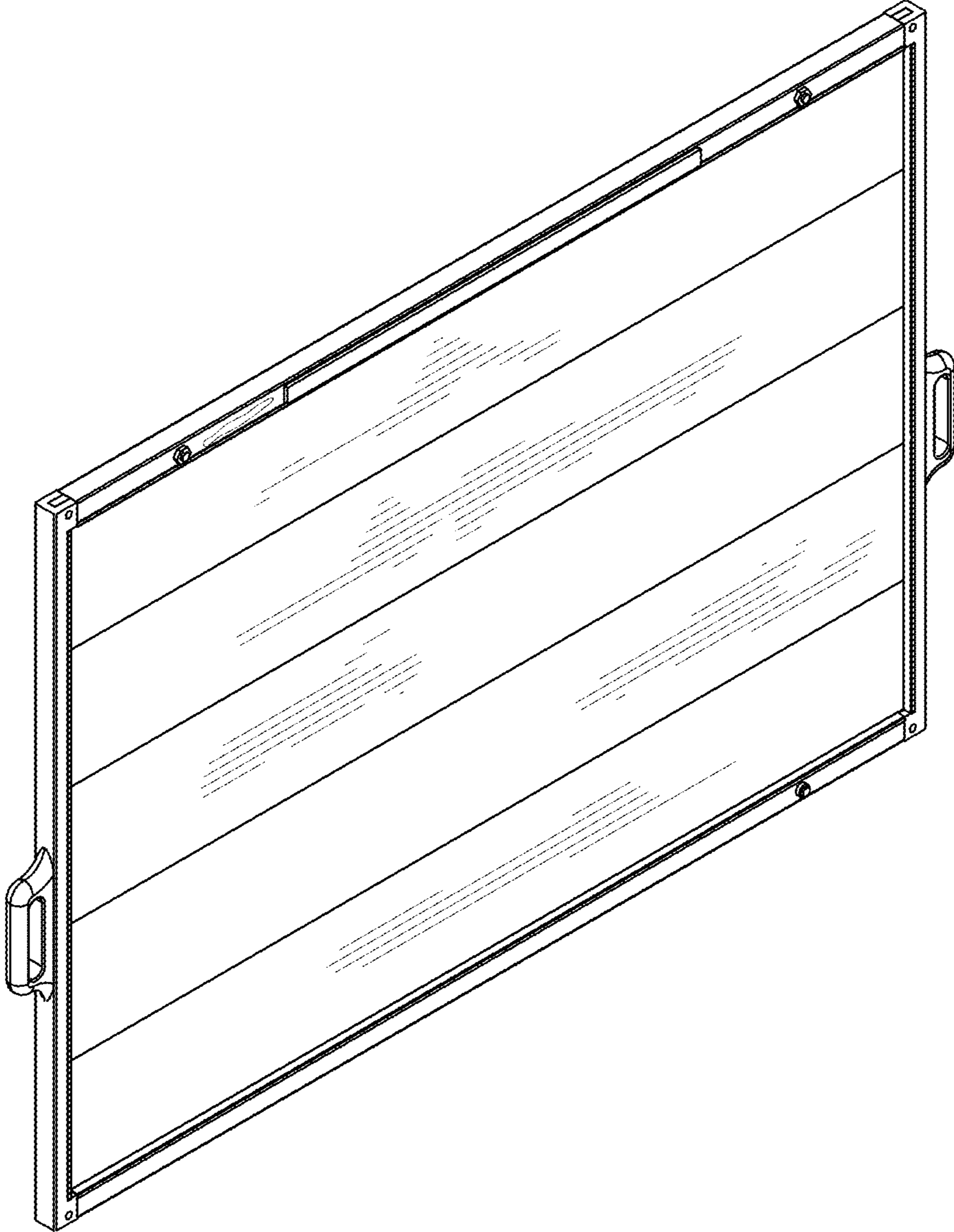


FIG. 1

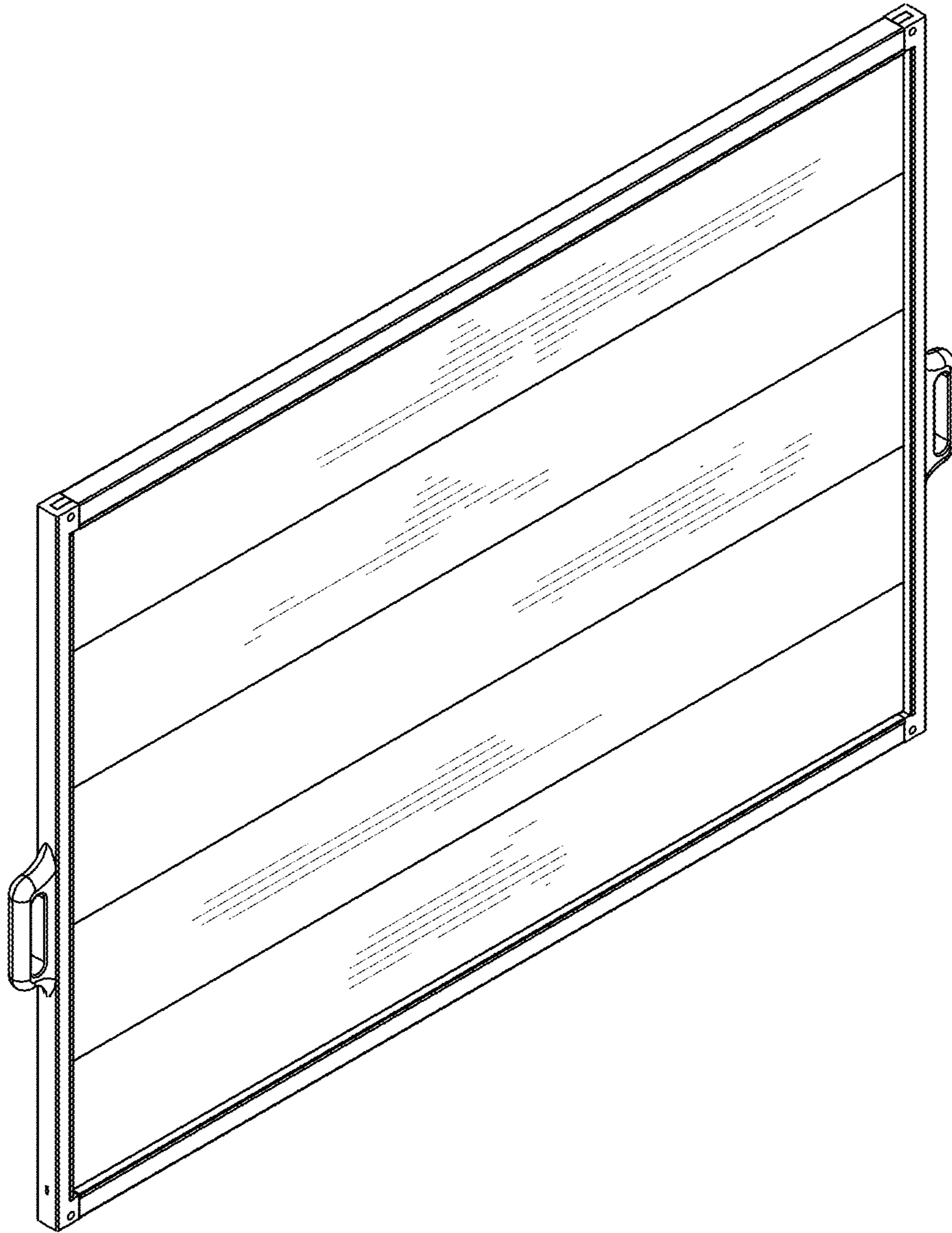


FIG. 2



FIG. 3

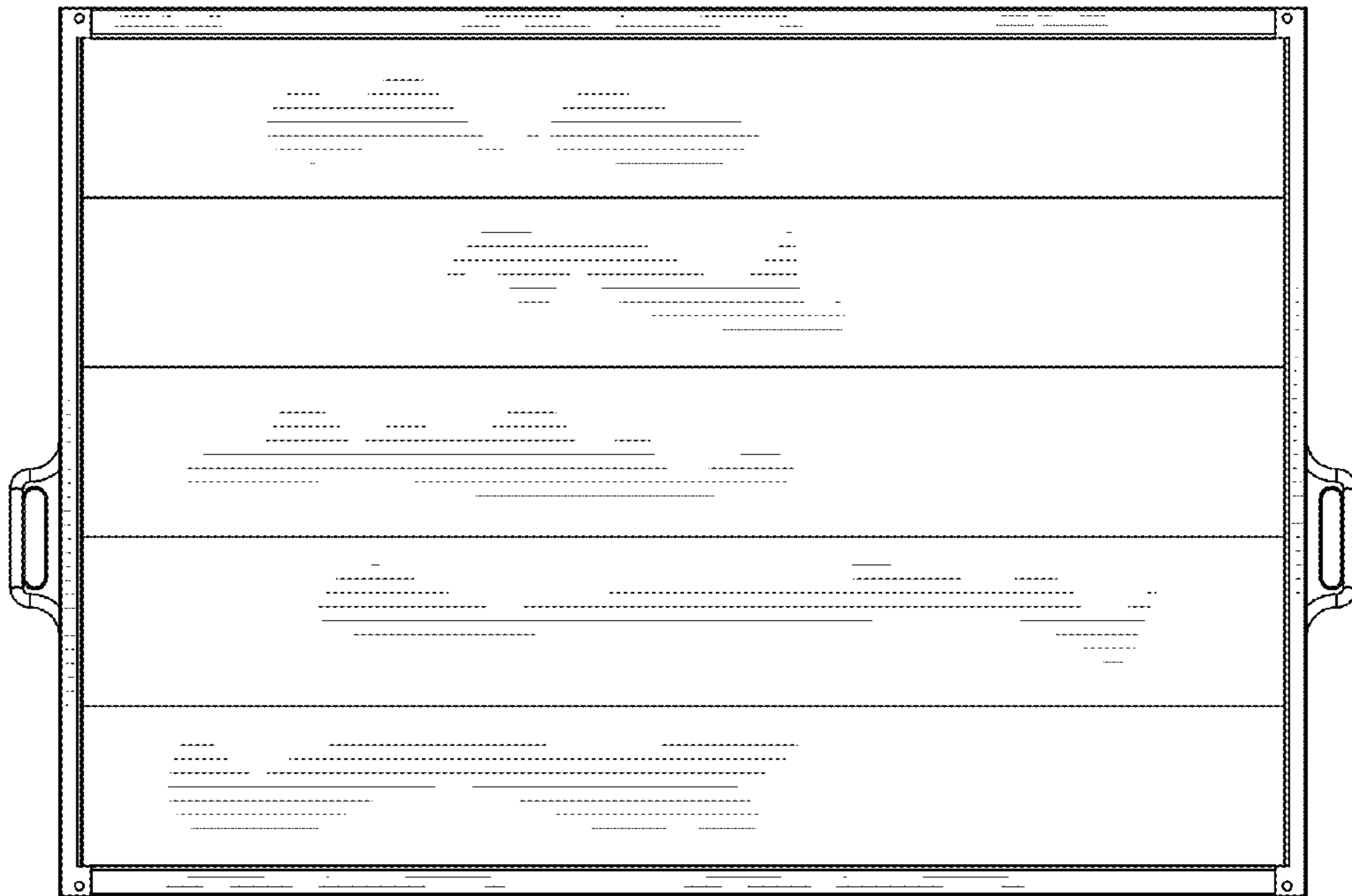


FIG. 4



FIG. 5



FIG. 6



FIG. 7



FIG. 8