



US00D714867S

(12) **United States Design Patent**  
**Bodziak et al.**

(10) **Patent No.:** **US D714,867 S**  
(45) **Date of Patent:** **\*\* Oct. 7, 2014**

- (54) **DISPENSER**
- (71) Applicant: **3M Innovative Properties Company**,  
St. Paul, MN (US)
- (72) Inventors: **Douglas P. Bodziak**, Lake Elmo, MN  
(US); **James E. Nash**, Bloomington, MN  
(US); **Timothy A. Mogck**, Woodbury,  
MN (US); **Debra A. Obermueller**  
**Leptien**, Stillwater, MN (US)
- (73) Assignee: **3M Innovative Properties Company**,  
St. Paul, MN (US)
- (\*\*) Term: **14 Years**

D287,862 S *	1/1987	Hauser et al. ....	D19/78
D290,024 S *	5/1987	Hennigan et al. ....	D19/78
4,667,828 A *	5/1987	Samuelson .....	206/555
4,696,399 A *	9/1987	Windorski .....	206/565
D296,794 S *	7/1988	Leithauser .....	D19/78
D296,907 S *	7/1988	Danielsson .....	D19/75
4,848,584 A *	7/1989	Windorski .....	206/565
D320,619 S *	10/1991	Schleeh et al. ....	D19/78
5,080,254 A *	1/1992	Feer .....	221/33
D338,494 S *	8/1993	Hofman .....	D19/78
D338,495 S *	8/1993	Carella .....	D19/78
D345,378 S *	3/1994	Hu .....	D19/75
D394,277 S *	5/1998	Lin .....	D18/2
D551,658 S *	9/2007	Hussaini et al. ....	D14/217
D688,748 S	8/2013	Nash	
D689,137 S	9/2013	McGreevy	
D692,058 S	10/2013	De Bellis	

\* cited by examiner

- (21) Appl. No.: **29/469,478**
- (22) Filed: **Oct. 10, 2013**
- (51) **LOC (10) Cl.** ..... **19-02**
- (52) **U.S. Cl.**  
USPC ..... **D19/86**
- (58) **Field of Classification Search**  
USPC ..... D6/512, 672; D19/75, 86, 87, 90, 91,  
D19/92; D20/43; 40/341, 658; 206/39.5,  
206/215, 494, 555; 211/45, 48, 50, 89.01;  
221/34, 52, 56; D3/304  
See application file for complete search history.

*Primary Examiner* — Elizabeth Albert  
(74) *Attorney, Agent, or Firm* — Irina Hass

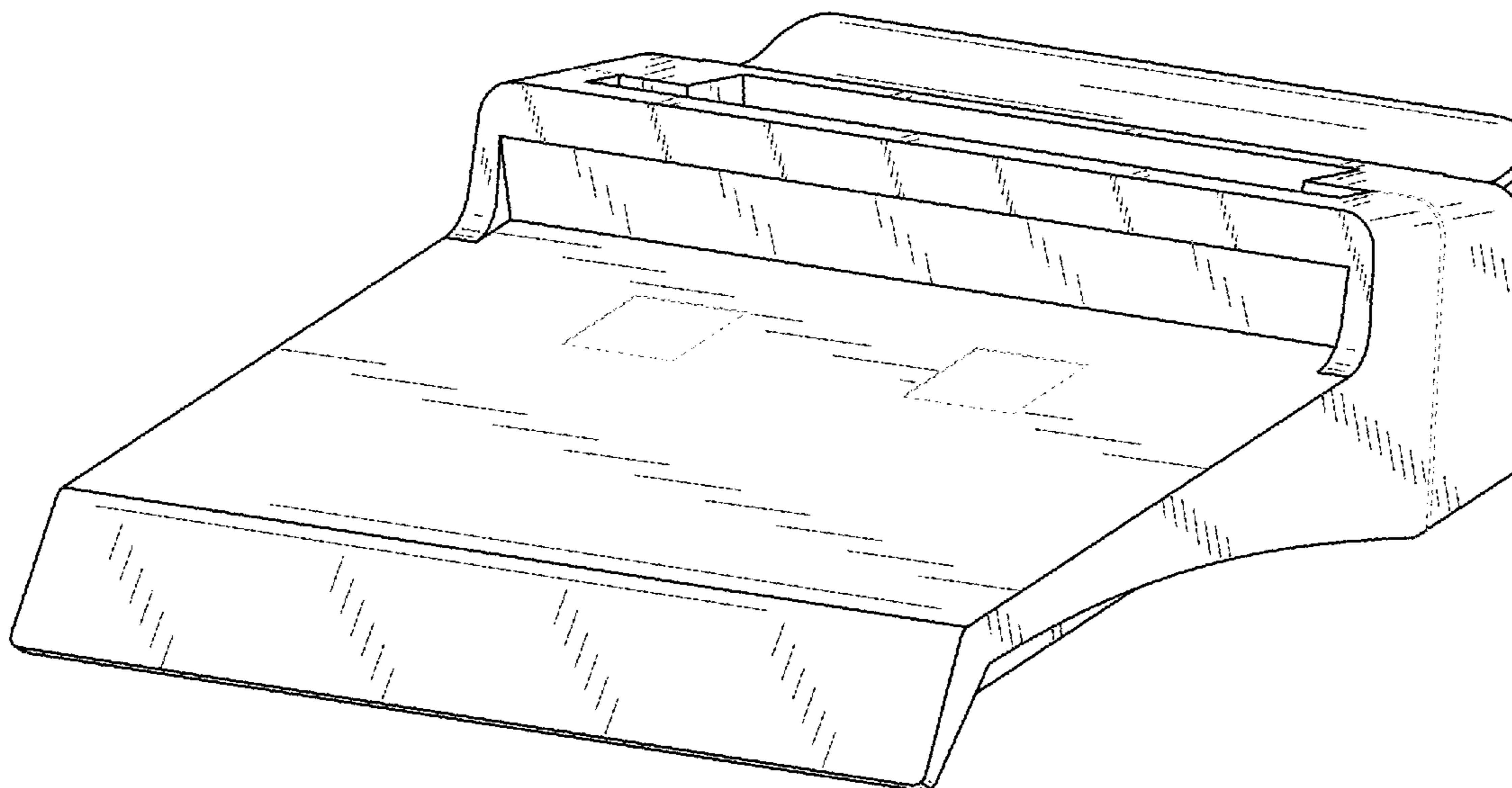
(57) **CLAIM**  
The ornamental design for a dispenser, as shown and described.

**DESCRIPTION**

FIG. 1 is a perspective view showing the new design for a dispenser;  
FIG. 2 is a right side view thereof, a left side view being a mirror image thereof;  
FIG. 3 is a front view thereof;  
FIG. 4 is a rear view thereof;  
FIG. 5 is a top view thereof; and,  
FIG. 6 is a bottom view thereof.  
The portions of the dispenser shown in broken lines form no part of the claimed design.

- (56) **References Cited**  
U.S. PATENT DOCUMENTS  
D102,468 S \* 12/1936 McCoy ..... D10/2  
2,858,016 A \* 10/1958 Marano ..... 206/449  
D250,437 S \* 12/1978 Korpijaakko et al. .... D6/397  
D270,739 S \* 9/1983 Pearson ..... D19/78  
D271,981 S \* 12/1983 Pearson ..... D19/86  
D282,083 S \* 1/1986 Kier ..... D19/92

**1 Claim, 4 Drawing Sheets**



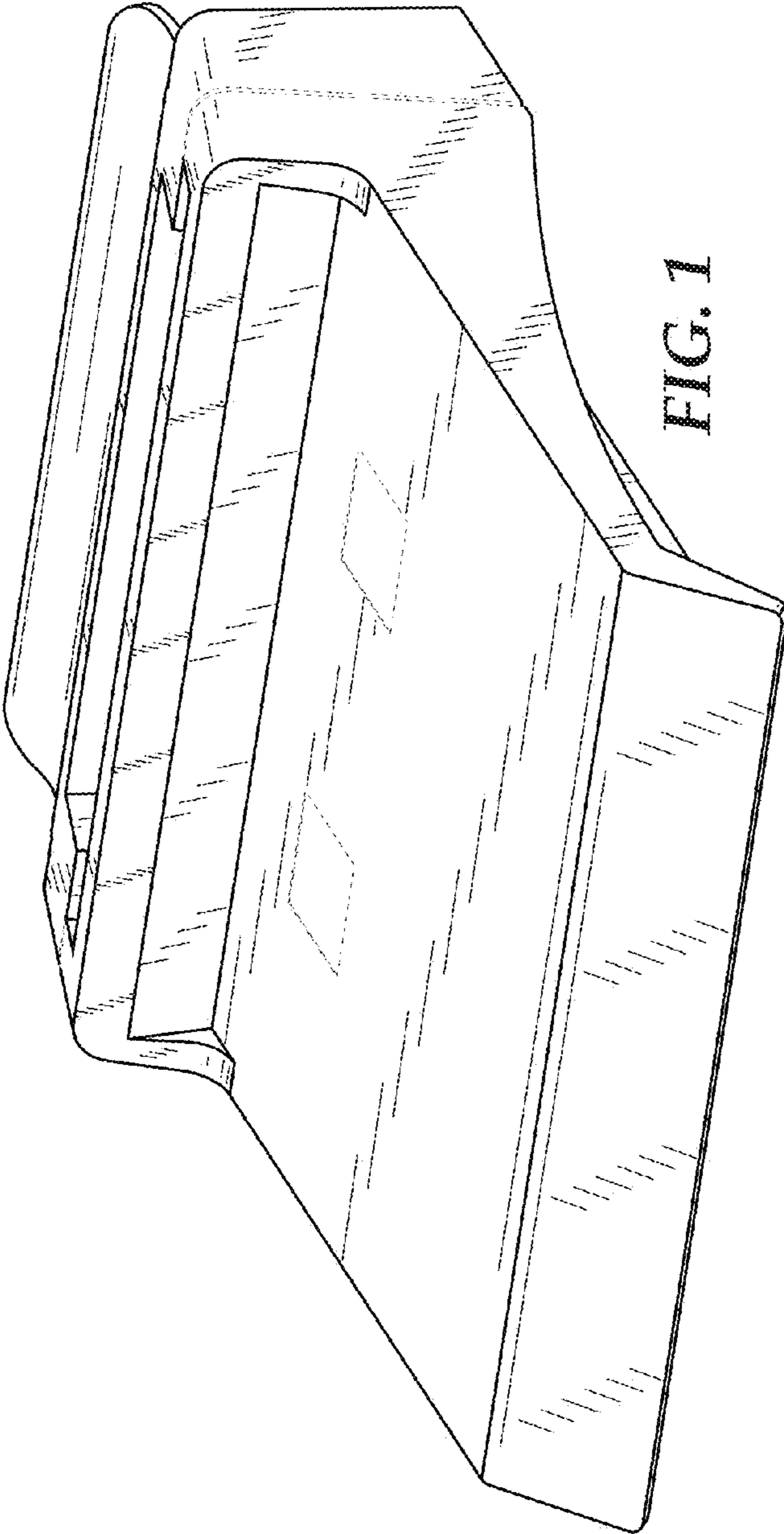


FIG. 1

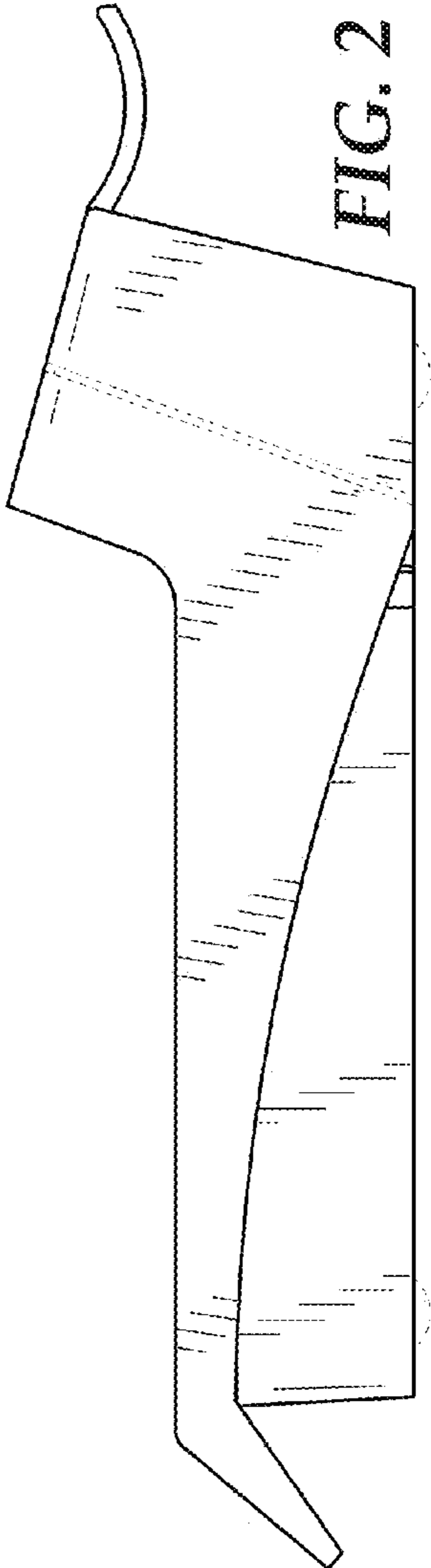


FIG. 2

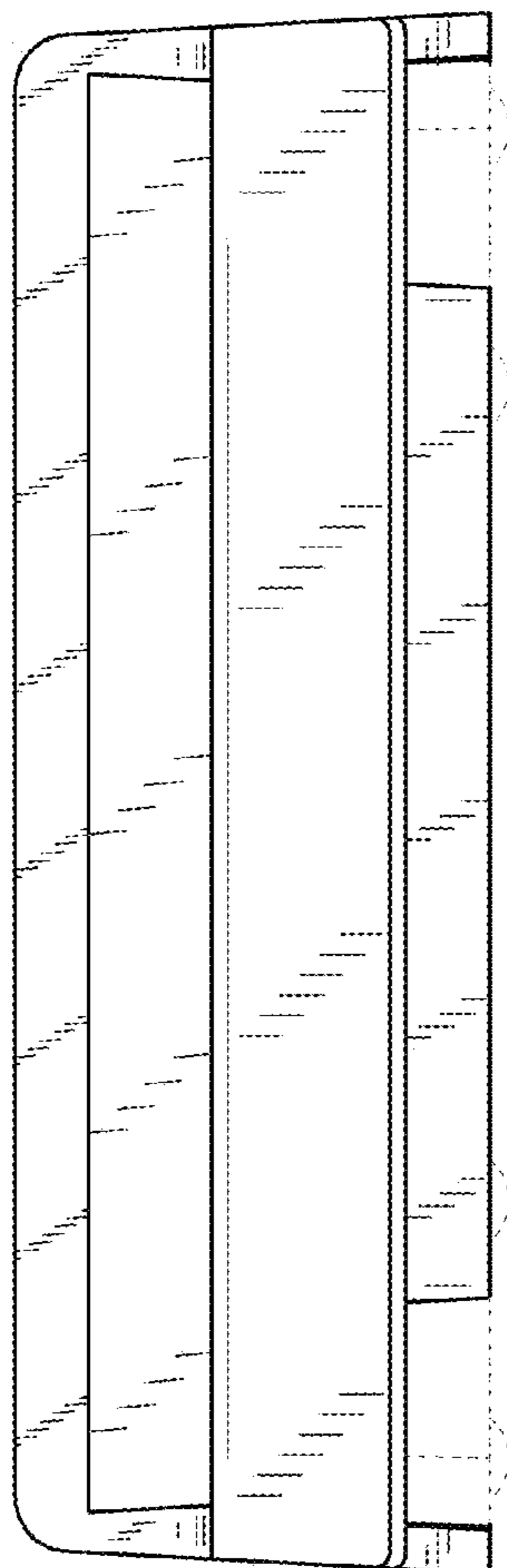


FIG. 3

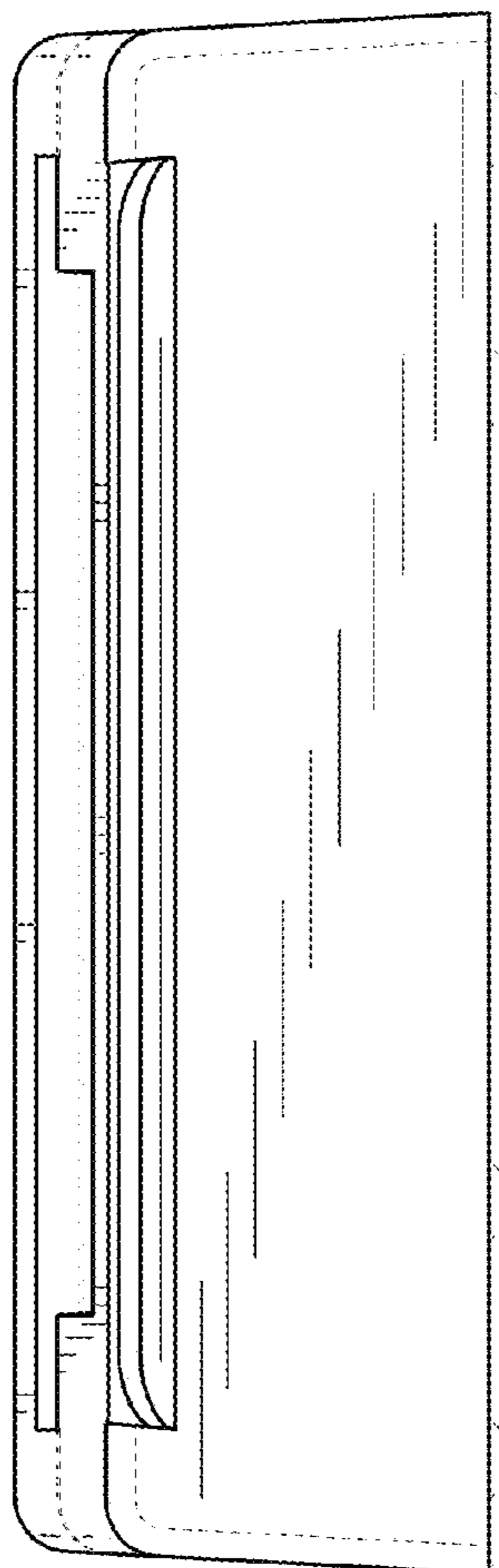
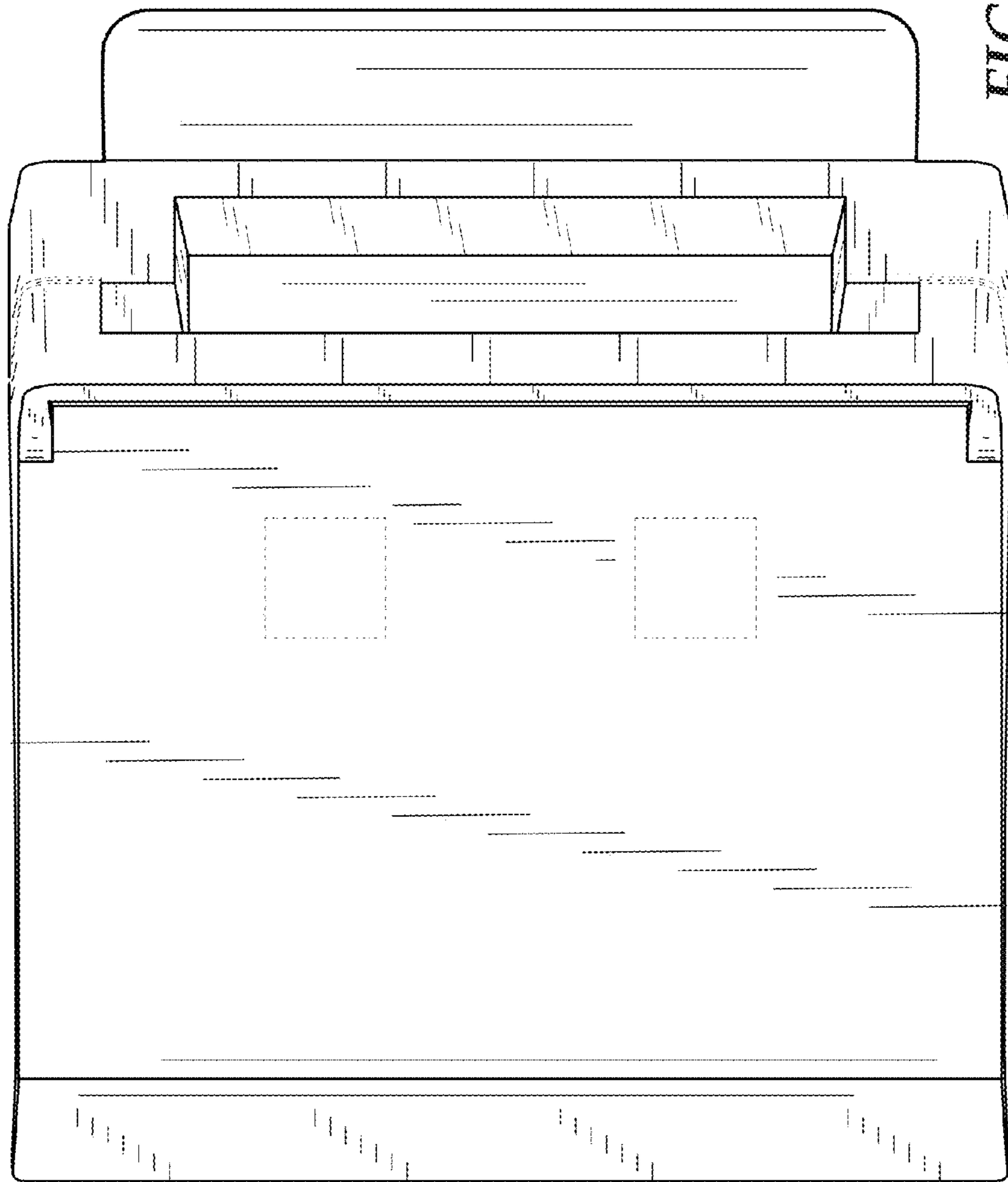


FIG. 4



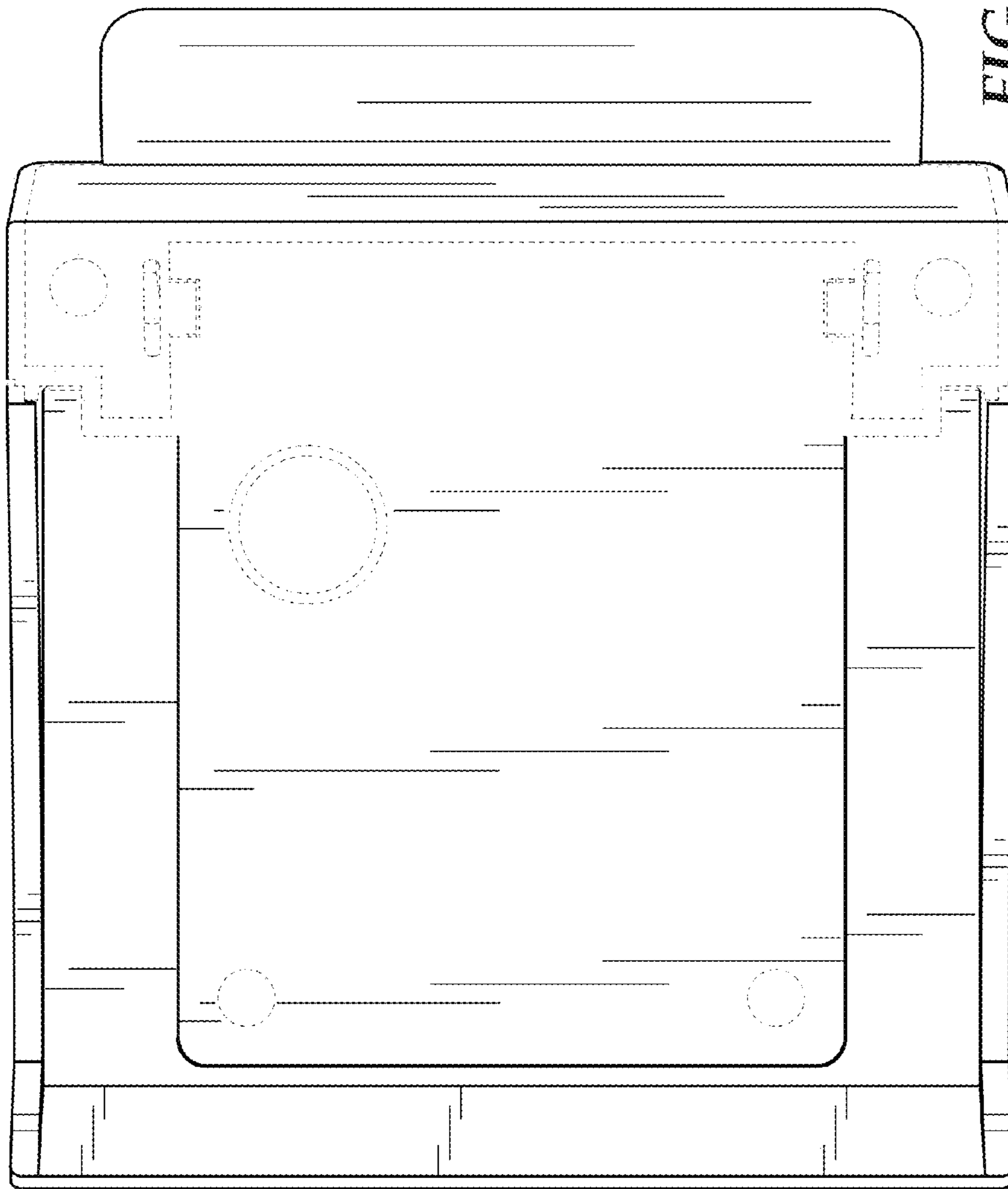


FIG. 6