



US00D714859S

(12) **United States Design Patent**
DeLeon

(10) **Patent No.:** **US D714,859 S**

(45) **Date of Patent:** **** Oct. 7, 2014**

(54) **DETACHABLE VISOR**

(71) Applicant: **Mario J. DeLeon**, Nipomo, CA (US)

(72) Inventor: **Mario J. DeLeon**, Nipomo, CA (US)

(**) Term: **14 Years**

(21) Appl. No.: **29/475,669**

(22) Filed: **Dec. 5, 2013**

(51) **LOC (10) Cl.** **16-06**

(52) **U.S. Cl.**
USPC **D16/340**

(58) **Field of Classification Search**
USPC D14/330, 202, 372, 205; D16/300, 100,
D16/341, 338, 323, 309, 336, 326, 325, 235,
D16/327, 330, 136; D8/24, 25, 16, 86, 94,
D8/307, 308; D24/157; D29/105-107,
D29/109; 455/344; 351/153, 158, 243, 14,
351/126; 348/51; 349/67

See application file for complete search history.

(56) **References Cited**

U.S. PATENT DOCUMENTS

588,334 A	8/1897	Collette	
1,435,533 A *	11/1922	Knackstedt	2/442
D320,609 S *	10/1991	Cross et al.	D16/340
D337,124 S *	7/1993	Hall	D16/340
D339,597 S *	9/1993	Sprong	D16/340
D341,695 S *	11/1993	Vandiver	D16/340
D358,006 S	5/1995	Chisolm et al.	
5,519,460 A	5/1996	Mills	
D376,681 S	12/1996	Riesenman et al.	

D450,746 S *	11/2001	Johnson	D16/340
6,711,744 B1 *	3/2004	Hockenbury	2/13
D522,563 S *	6/2006	Lawrence et al.	D16/340
D603,145 S	11/2009	Erby	
D627,521 S	11/2010	Lofton	
D627,933 S	11/2010	Lofton	
D658,815 S	5/2012	DeLeon	
D661,724 S *	6/2012	Horn	D16/340
2006/0174396 A1	8/2006	Rosas	

* cited by examiner

Primary Examiner — Robert M Spear

Assistant Examiner — Eliza Bennett-Hattan

(74) *Attorney, Agent, or Firm* — Kenneth L. Green

(57) **CLAIM**

The ornamental design for a detachable visor, as shown and described.

DESCRIPTION

FIG. 1 is a perspective view of a detachable visor showing my new design;

FIG. 2 is a right side elevation view thereof (the left side is a mirror image) shown attached to eye glasses;

FIG. 3 is a front elevation shown without the attachments to the eyeglass stems for clarity of illustration;

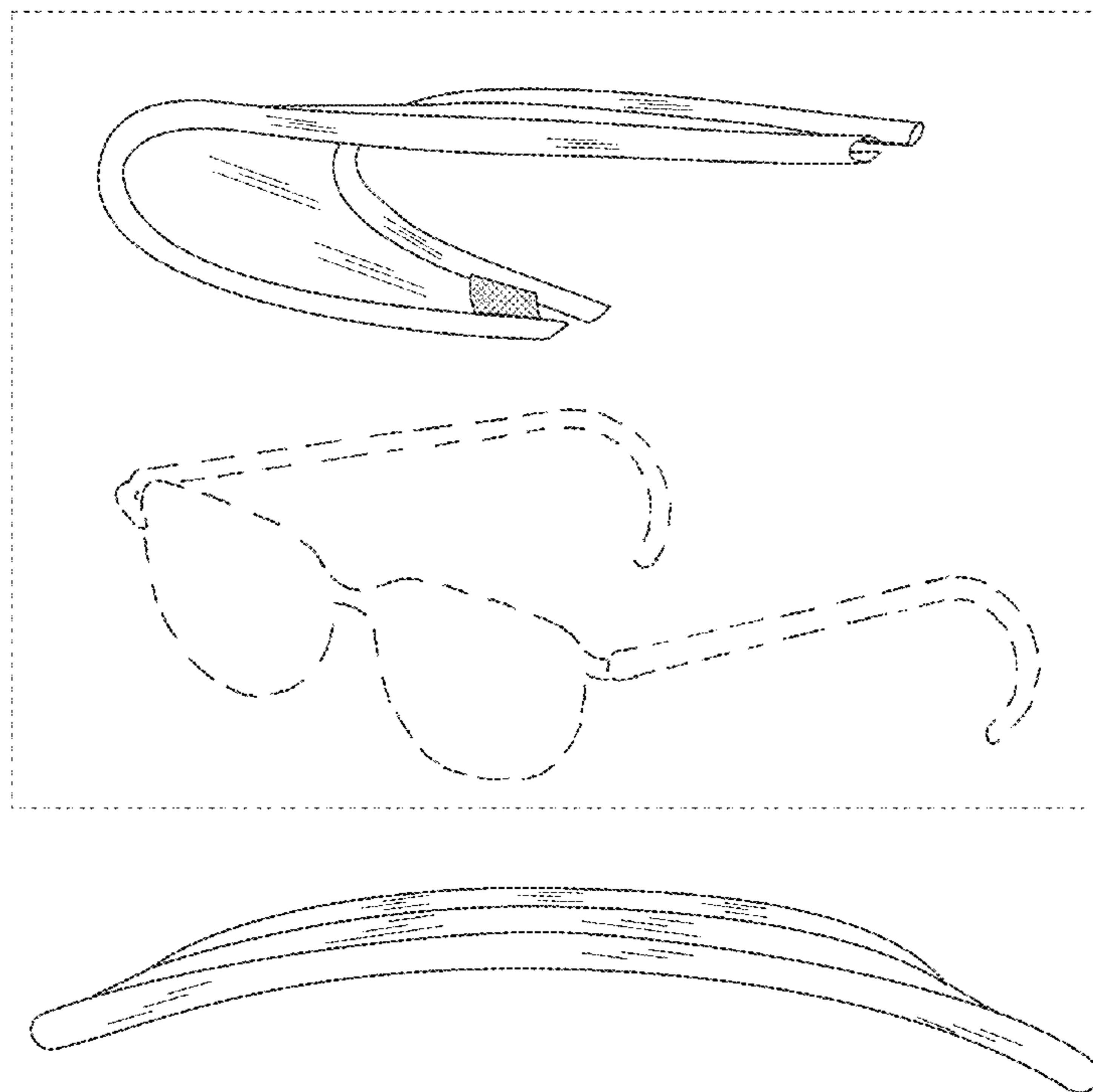
FIG. 4 is a rear elevation shown without the attachments to the eyeglass stems for clarity of illustration;

FIG. 5 is a top plan view shown without the attachments to the eyeglass stems for clarity of illustration; and,

FIG. 6 is a bottom plan view shown without the attachments to the eyeglass stems for clarity of illustration.

The broken lines in the drawings depict environmental matter only and form no part of the claimed design.

1 Claim, 3 Drawing Sheets



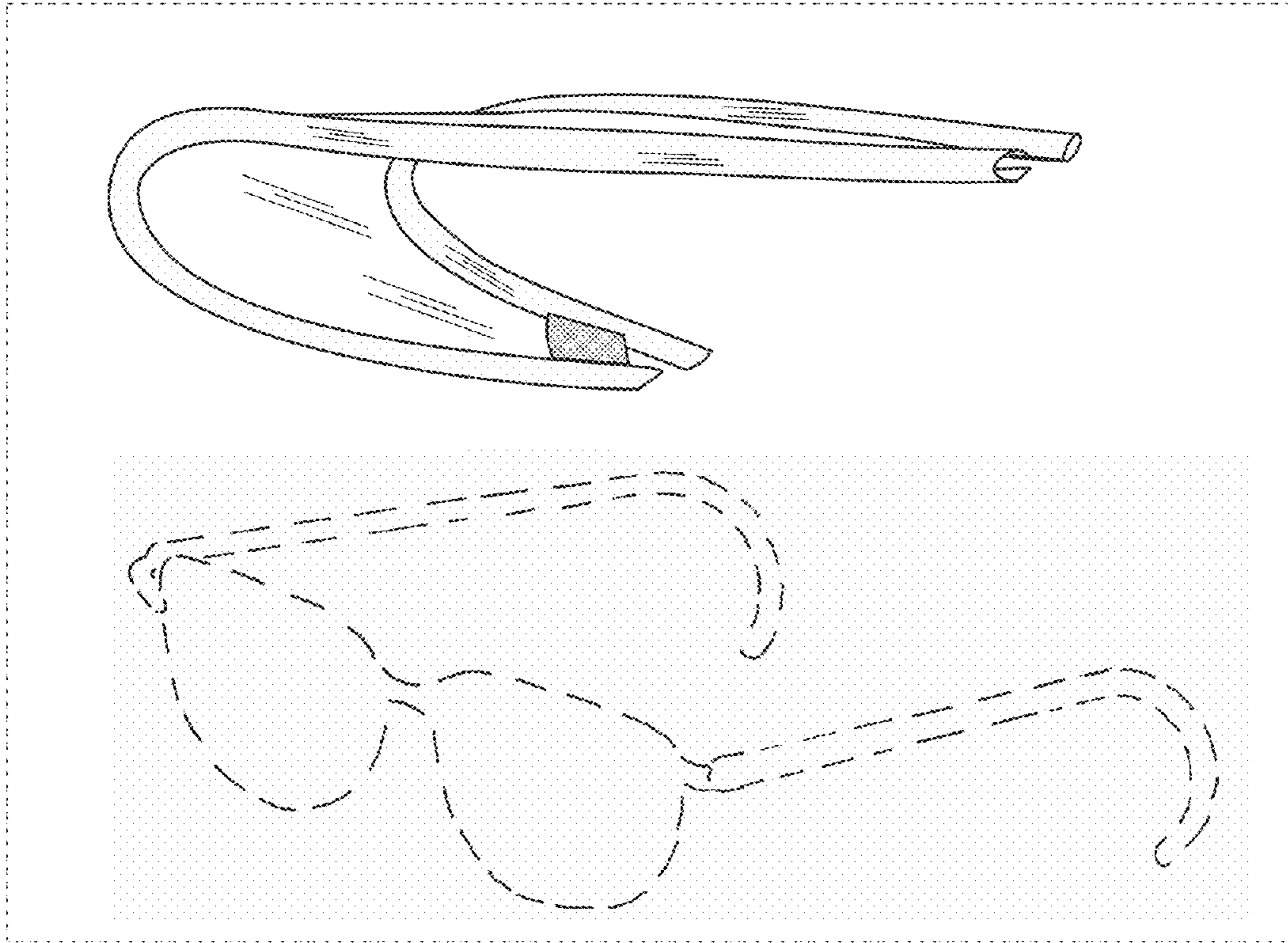


FIG. 1

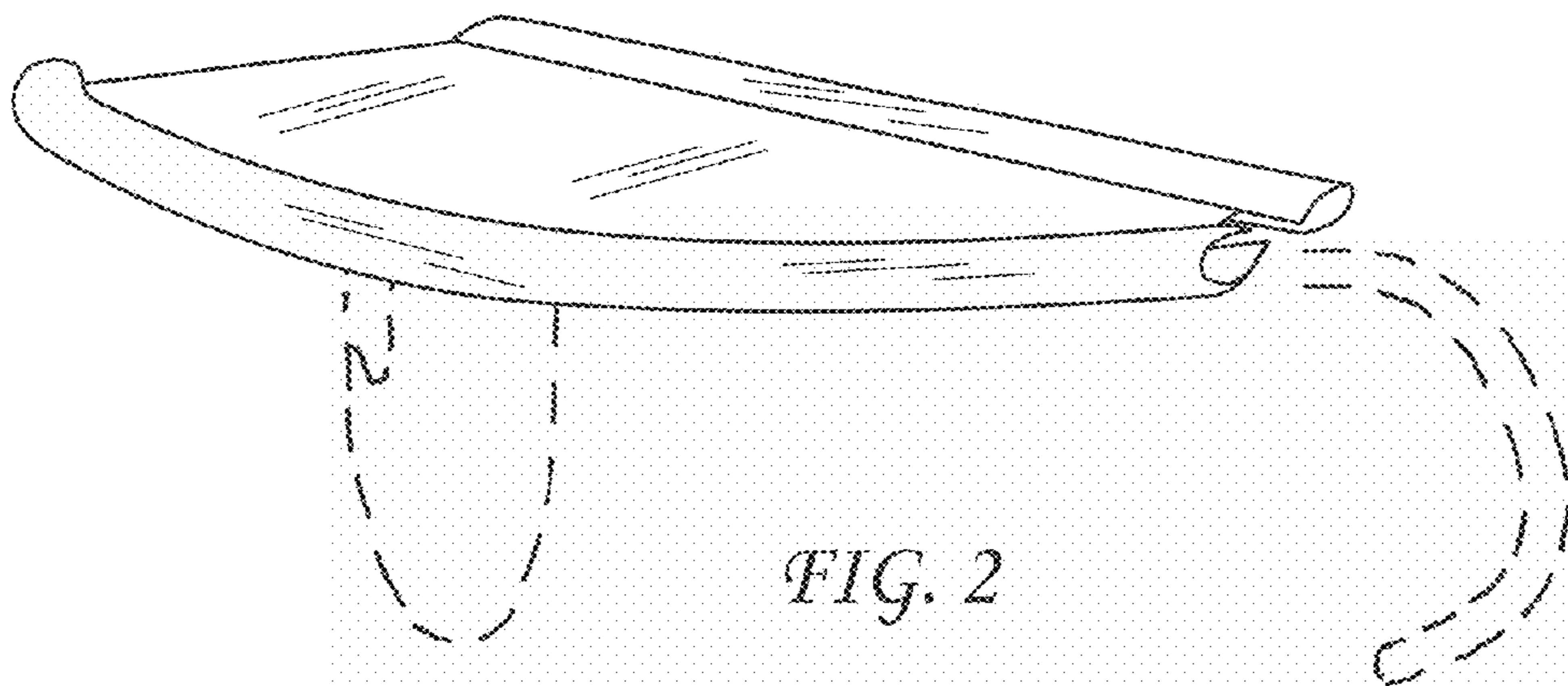


FIG. 2



FIG. 3



FIG. 4

