



US00D714852S

(12) **United States Design Patent**  
**Levesque**

(10) **Patent No.:** **US D714,852 S**  
(45) **Date of Patent:** **\*\* Oct. 7, 2014**

- (54) **LAPTOP CAMERA COVER**
- (71) Applicant: **Charles Levesque**, Tecumseh (CA)
- (72) Inventor: **Charles Levesque**, Tecumseh (CA)
- (\*\*) Term: **14 Years**
- (21) Appl. No.: **29/470,575**
- (22) Filed: **Oct. 23, 2013**
- (51) **LOC (10) Cl.** ..... **16-05**
- (52) **U.S. Cl.**  
USPC ..... **D16/237**
- (58) **Field of Classification Search**  
CPC .. G03B 17/561–17/568; G03B 21/20–21/2066  
USPC ..... D16/205, 211, 214, 218–220, 237–250,  
D16/302, 303; D19/9–10; D14/448–450;  
D8/354, 394–396; D9/443  
See application file for complete search history.

D610,901 S *	3/2010	Jones .....	D8/394
D643,457 S *	8/2011	DeLong .....	D16/237
D647,946 S *	11/2011	Raken et al. ....	D16/242
D652,830 S *	1/2012	Nazar .....	D14/253
D687,833 S *	8/2013	Gittins .....	D14/447
D704,246 S *	5/2014	Chun .....	D16/244

\* cited by examiner

*Primary Examiner* — Susan Bennett Hattan  
*Assistant Examiner* — Vy Koenig

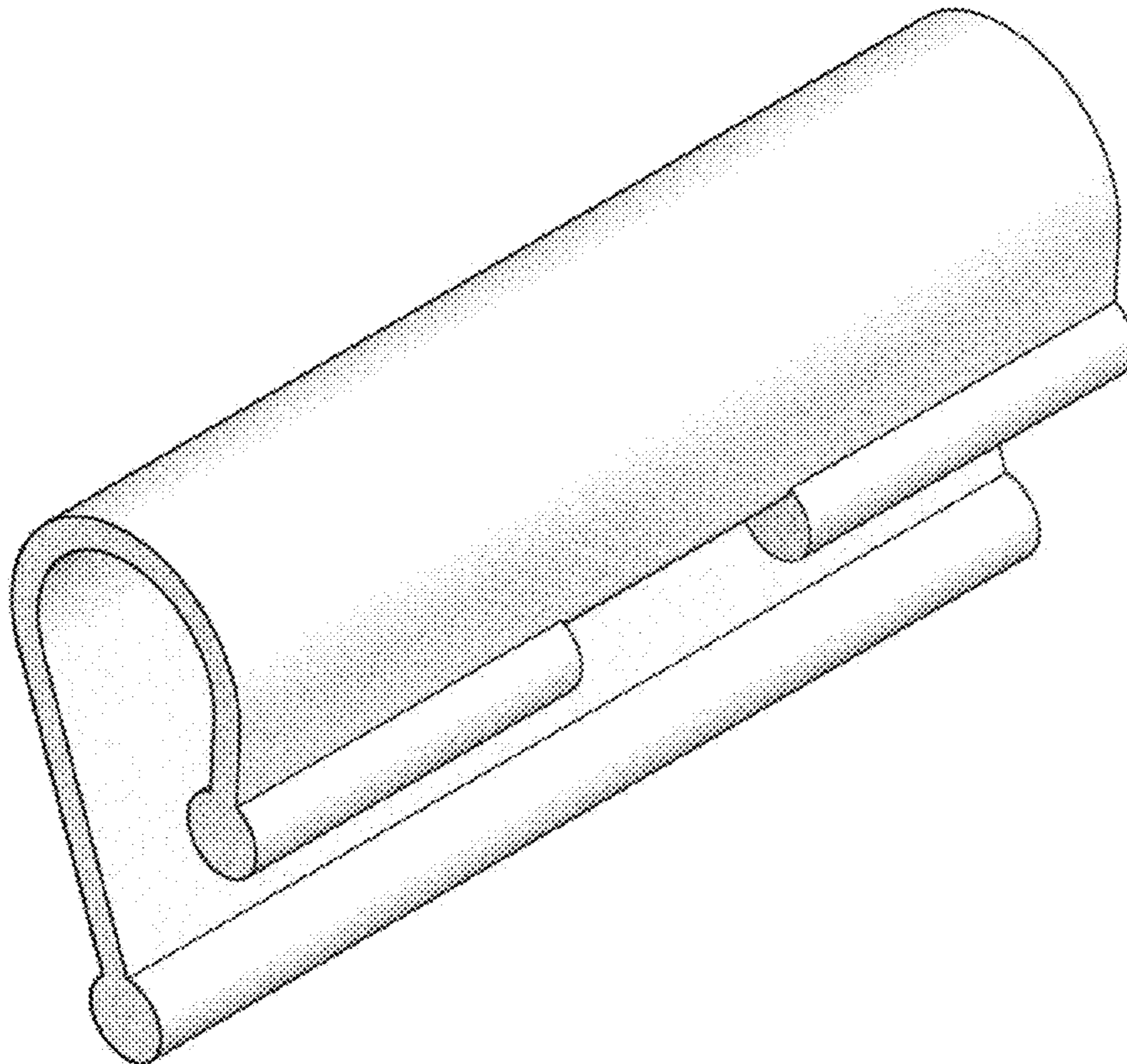
(57) **CLAIM**  
The ornamental design for a laptop camera cover, as shown and described.

**DESCRIPTION**

FIG. 1 is a rear isometric view of a laptop camera cover showing my new design;  
FIG. 2 is a front isometric view thereof;  
FIG. 3 is a top plan view thereof;  
FIG. 4 is a rear elevation view thereof;  
FIG. 5 is a bottom plan view thereof;  
FIG. 6 is a side elevation view thereof;  
FIG. 7 is a front elevation view thereof; and,  
FIG. 8 is an isometric view thereof in context of use.  
The broken lines shown in FIG. 8 depict environmental subject matter and form no part of the claimed design.

- (56) **References Cited**  
U.S. PATENT DOCUMENTS  
2,523,785 A \* 9/1950 Sereno ..... 403/188  
D391,152 S \* 2/1998 Lane et al. .... D8/395  
D470,806 S \* 2/2003 Voves ..... D12/191  
D563,452 S \* 3/2008 Tan et al. .... D16/237  
D578,381 S \* 10/2008 Wolff ..... D8/395

**1 Claim, 3 Drawing Sheets**



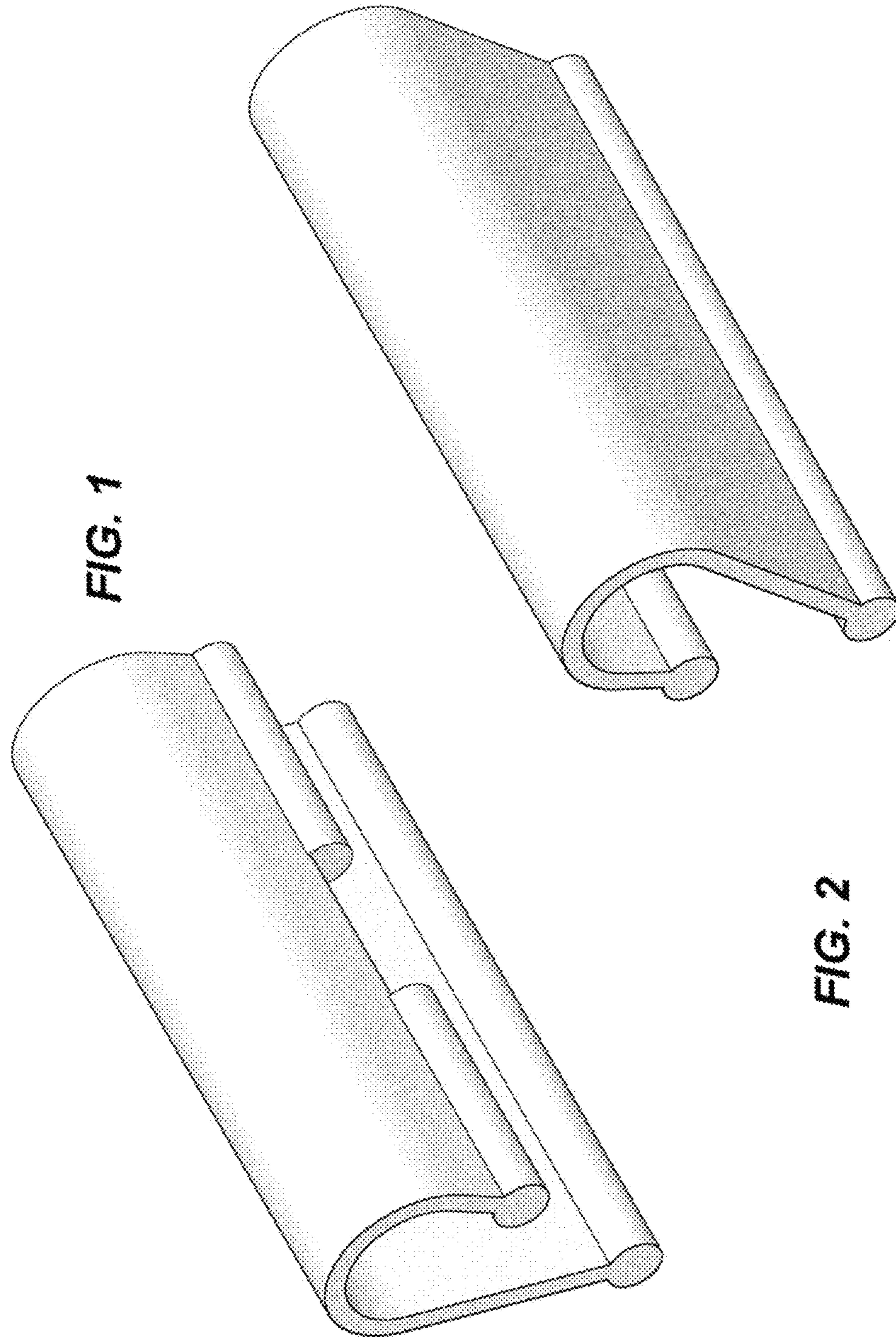


FIG. 3

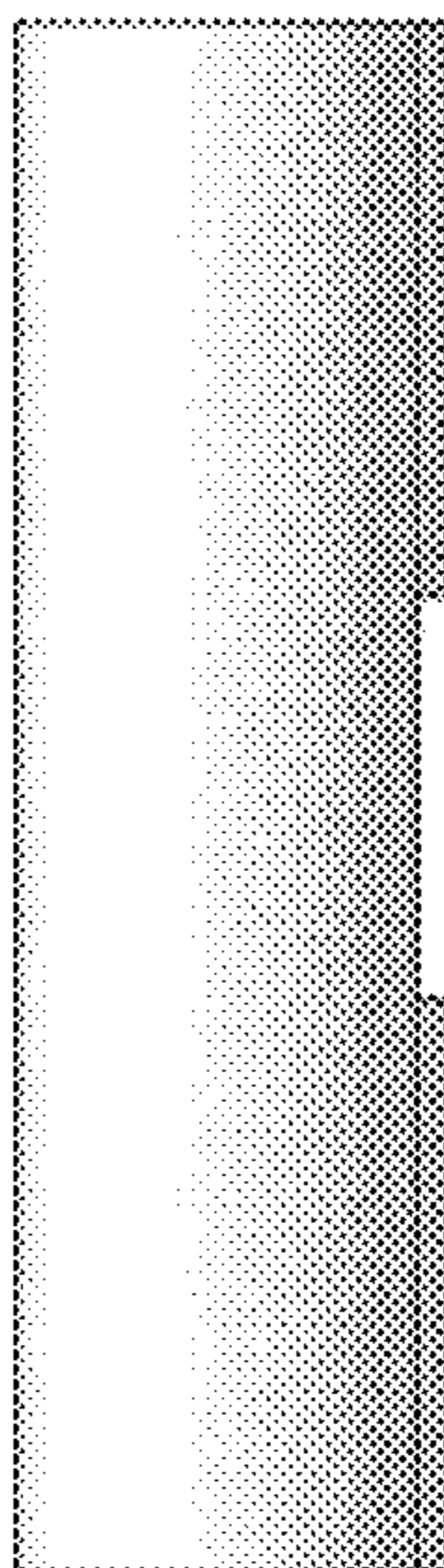


FIG. 6



FIG. 7

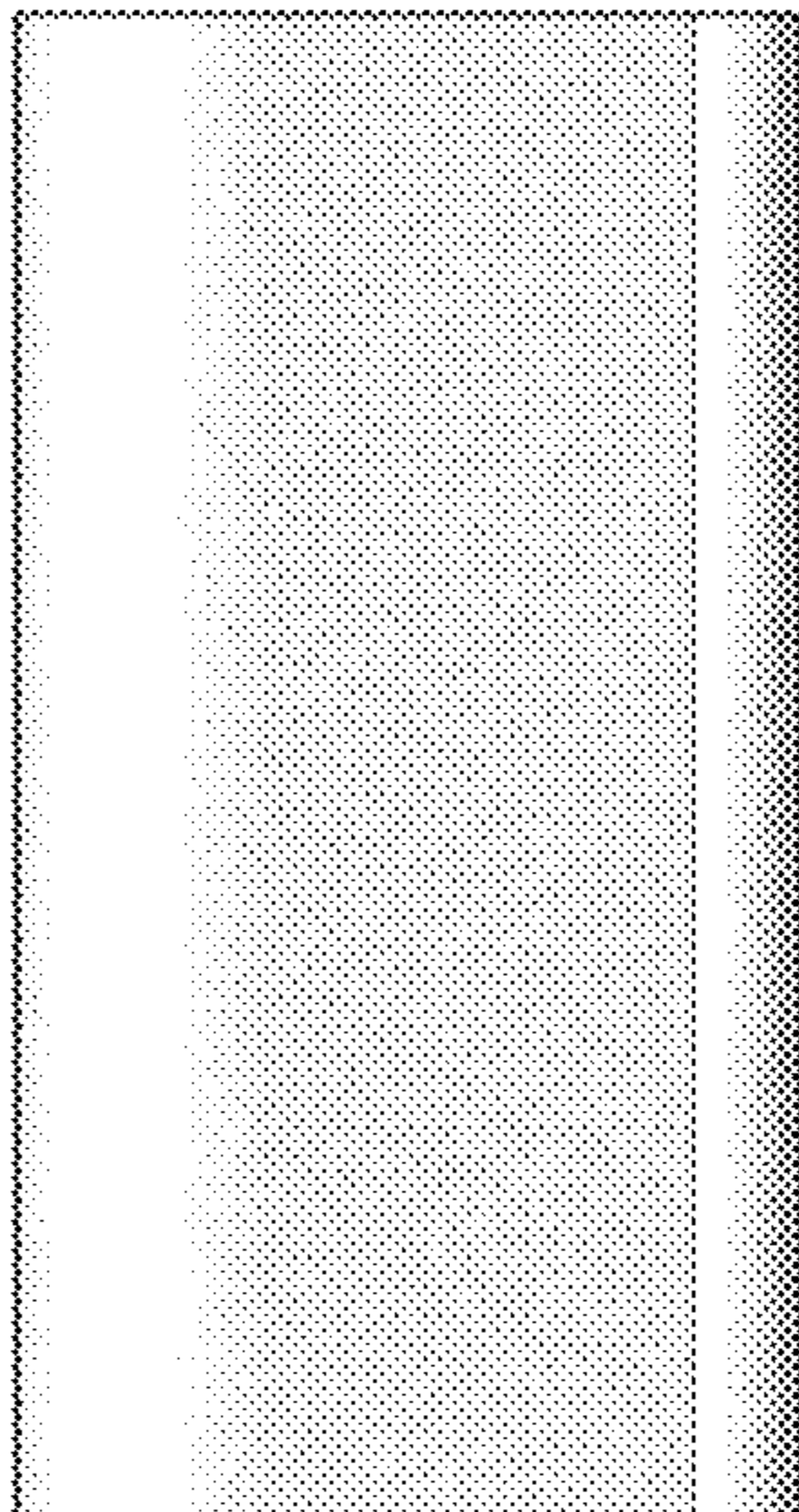


FIG. 4

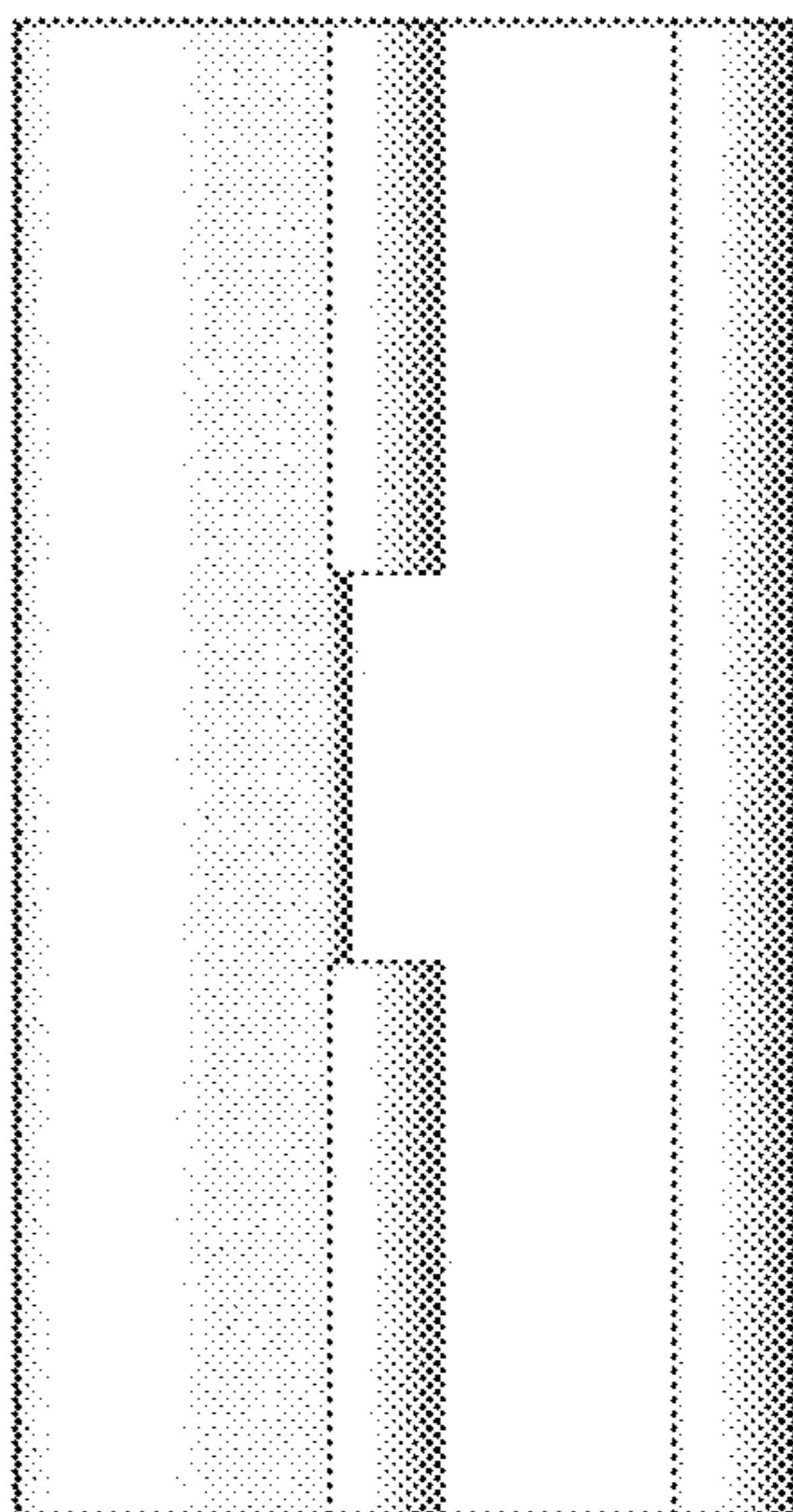
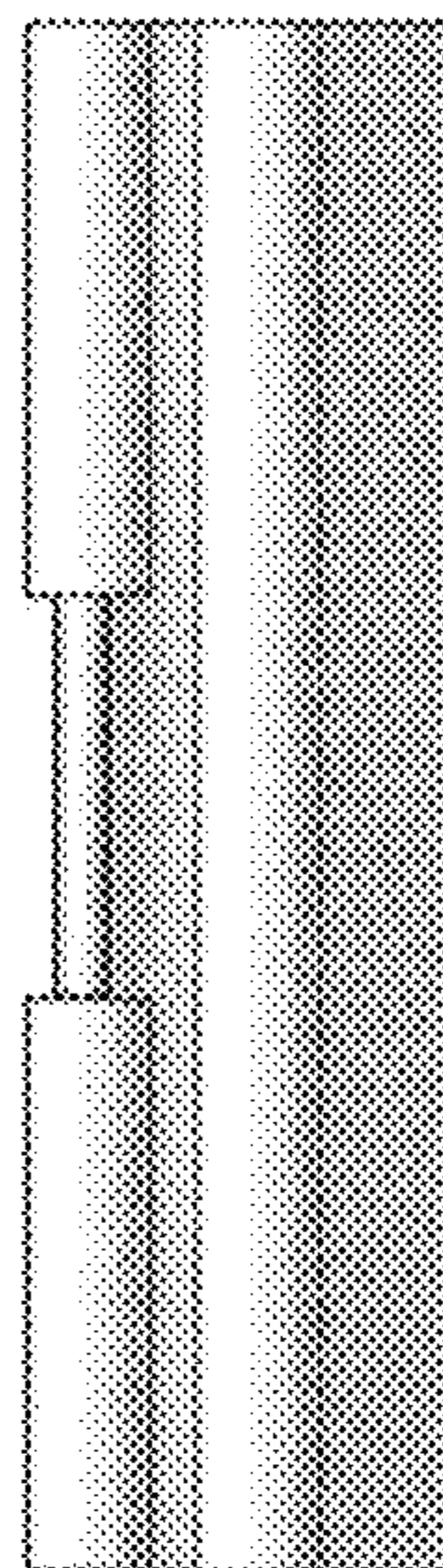


FIG. 5



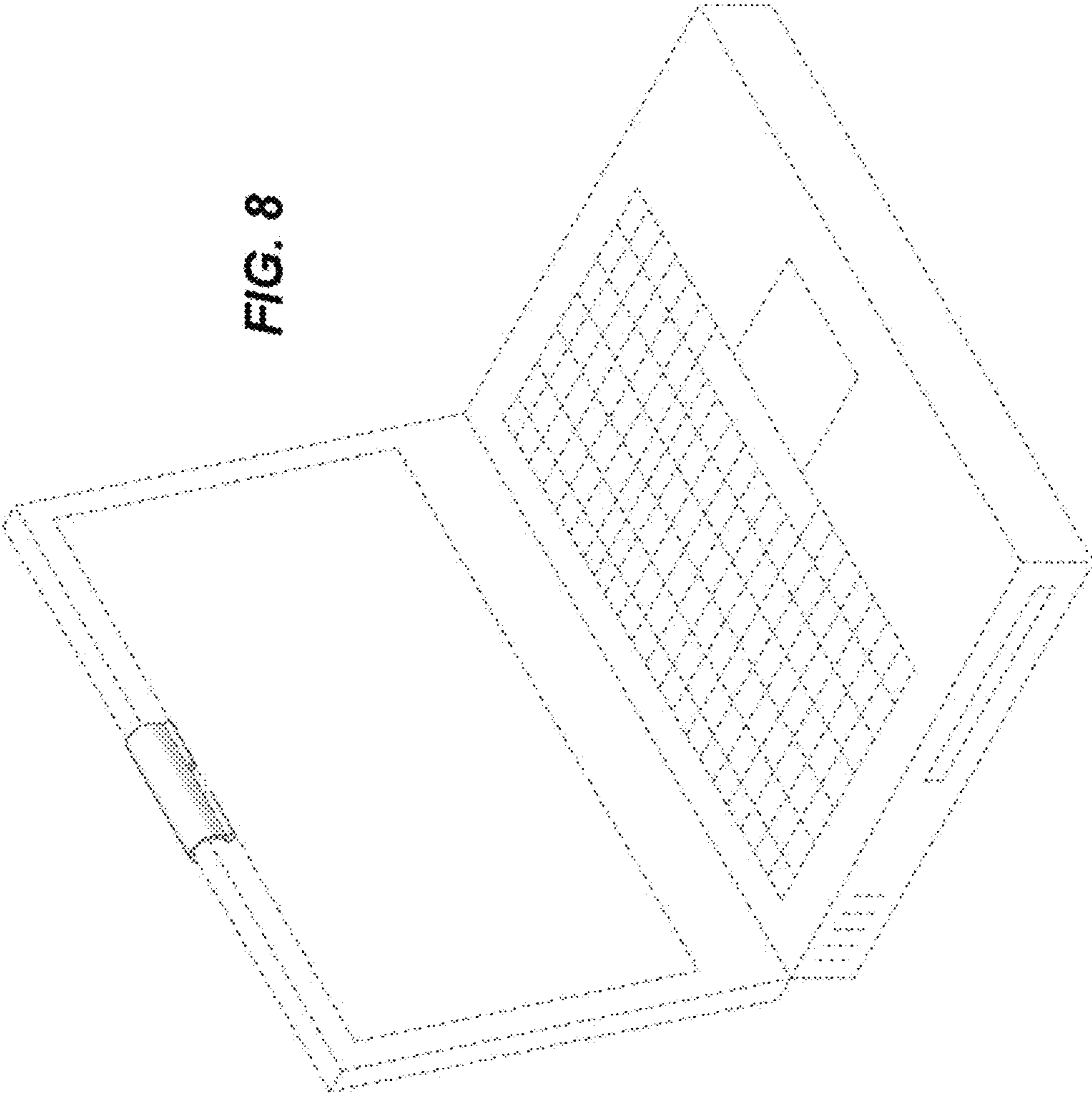


FIG. 8