



US00D714851S

(12) **United States Design Patent**  
**Lin**

(10) **Patent No.:** **US D714,851 S**  
(45) **Date of Patent:** **\*\* Oct. 7, 2014**

(54) **PROJECTOR**

(71) Applicant: **Delta Electronics, Inc.**, Taoyuan Hsien (TW)

(72) Inventor: **Cheng-Yu Lin**, Taoyuan Hsien (TW)

(73) Assignee: **Delta Electronics, Inc.**, Taoyuan Hsien (TW)

(\*\*) Term: **14 Years**

(21) Appl. No.: **29/450,478**

(22) Filed: **Mar. 18, 2013**

(51) **LOC (10) Cl.** ..... **16-02**

(52) **U.S. Cl.**  
USPC ..... **D16/235; D16/230**

(58) **Field of Classification Search**  
USPC ..... D16/208, 219, 221, 223–231, 234–235;  
D21/514; 353/115, 119, 122  
See application file for complete search history.

(56) **References Cited**

**U.S. PATENT DOCUMENTS**

D506,770	S *	6/2005	Saeki et al.	.....	D16/230
D550,269	S *	9/2007	Salvatori et al.	.....	D16/230
D575,811	S *	8/2008	Ohki et al.	.....	D16/230
D608,814	S	1/2010	Nagase		
D631,080	S *	1/2011	Han	.....	D16/225
8,104,902	B2 *	1/2012	Mao et al.	.....	353/119
D671,160	S *	11/2012	Lin	.....	D16/230

**FOREIGN PATENT DOCUMENTS**

JP	D1329661	5/2008
TW	D129400	6/2009
TW	D142036	8/2011

\* cited by examiner

*Primary Examiner* — Wan Laymon

(74) *Attorney, Agent, or Firm* — Kirton McConkie; Evan R. Witt

(57) **CLAIM**

The ornamental design for a projector, as shown and described.

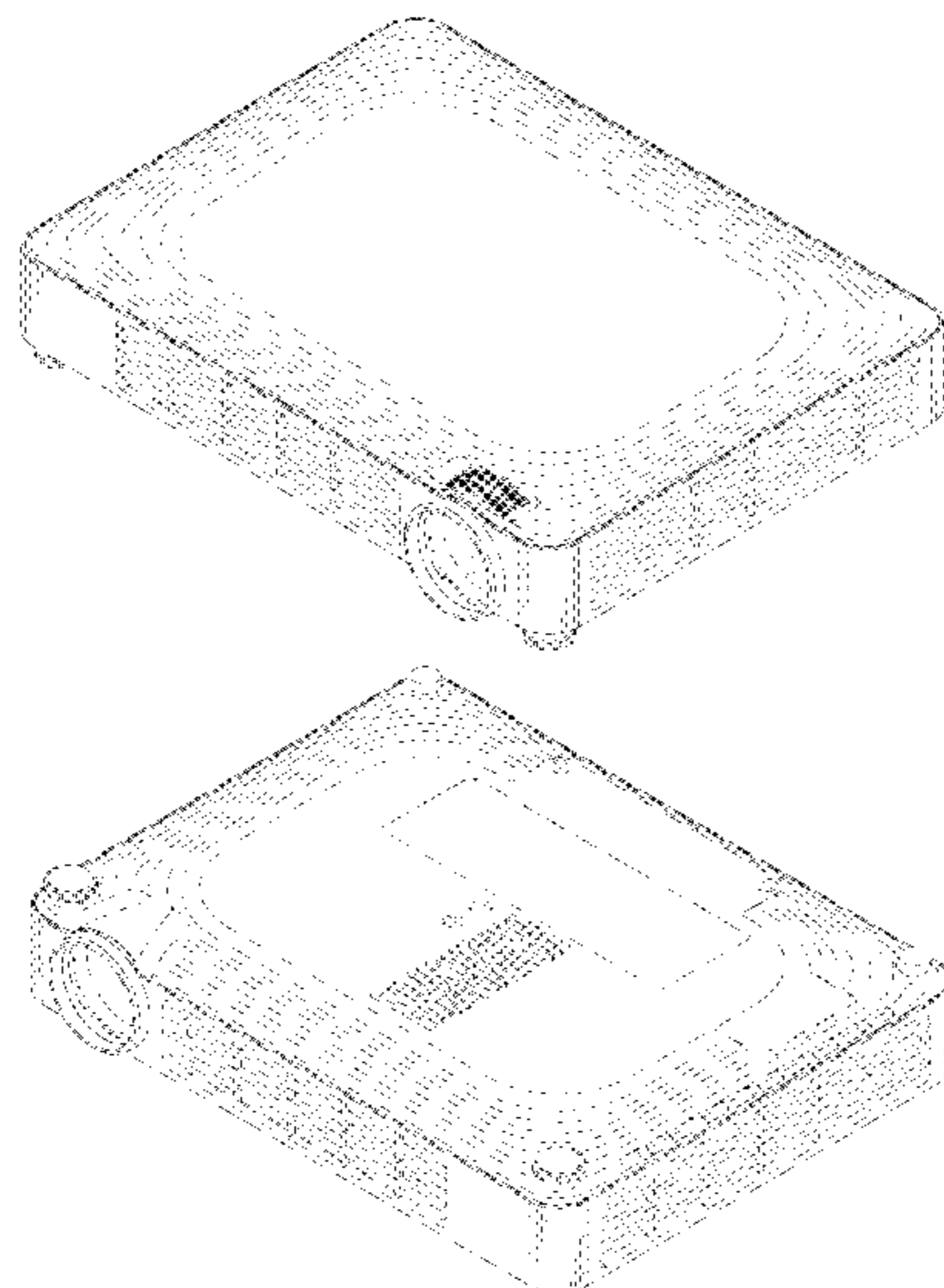
**DESCRIPTION**

FIG. 1 is a perspective view of a first embodiment of a projector showing my new design;  
 FIG. 2 is a front elevation view thereof;  
 FIG. 3 is a rear elevation view thereof;  
 FIG. 4 is a left side elevation view thereof;  
 FIG. 5 is a right side elevation view thereof;  
 FIG. 6 is a top plan view thereof;  
 FIG. 7 is a bottom plan view thereof;  
 FIG. 8 is a bottom, front perspective view thereof;  
 FIG. 9 is another perspective view showing a second embodiment of a projector according to the present design;  
 FIG. 10 is front elevation view thereof;  
 FIG. 11 is a rear elevation view thereof;  
 FIG. 12 is a left side elevation view thereof;  
 FIG. 13 is a right side elevation view thereof;  
 FIG. 14 is a top plan view thereof;  
 FIG. 15 is another perspective view showing a third embodiment of a projector according to the present design;  
 FIG. 16 is front elevation view thereof;  
 FIG. 17 is a rear elevation view thereof;  
 FIG. 18 is a left side elevation view thereof;  
 FIG. 19 is a right side elevation view thereof; and,  
 FIG. 20 is a top plan view thereof.

The relatively light gray shade lines on the surface portions of the upper cover and lower cover indicate contour and not surface decoration.

The broken lines are for the purpose of illustrating portions of the projector and form no part of the claimed design.

**1 Claim, 14 Drawing Sheets**



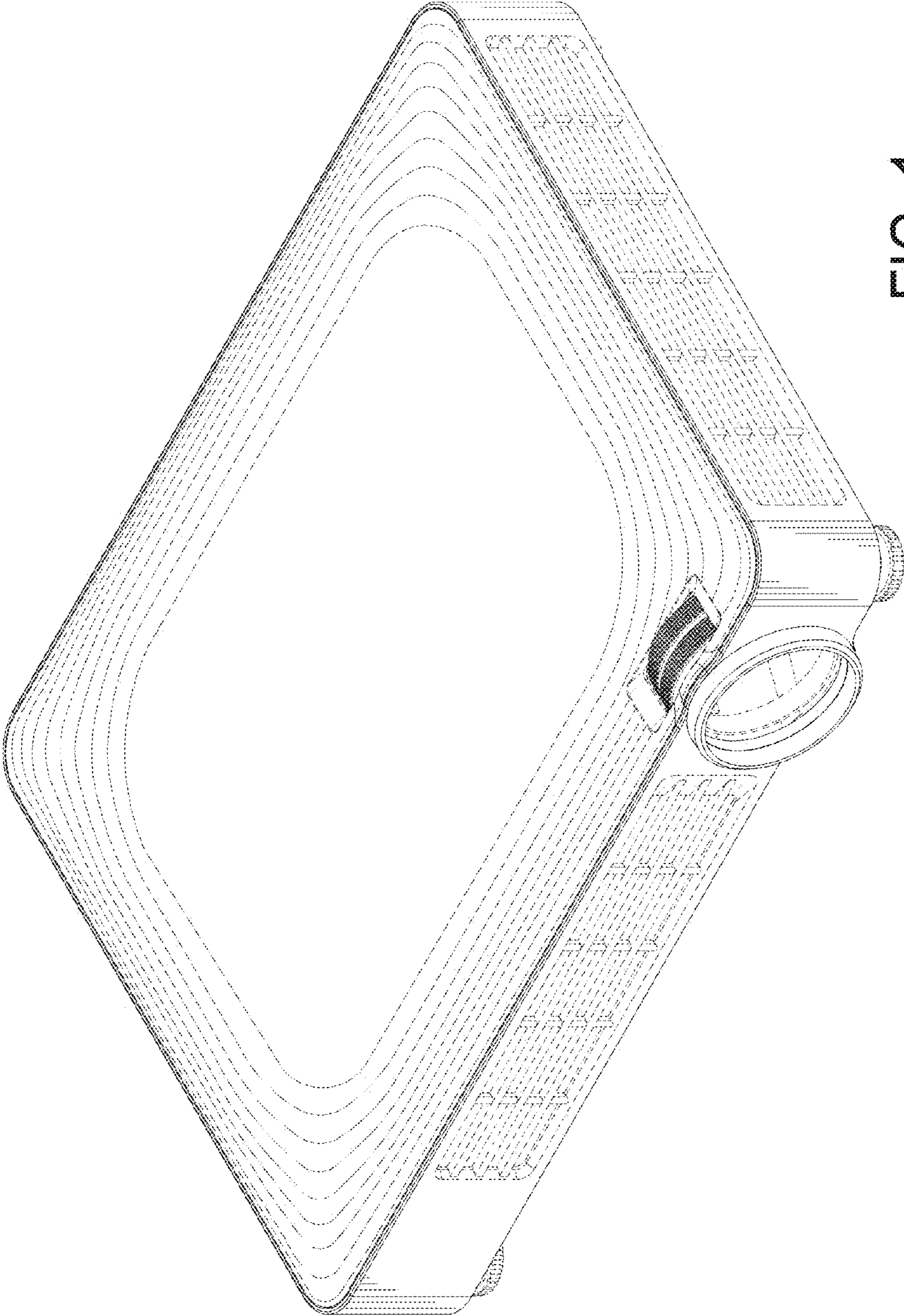


FIG. 1

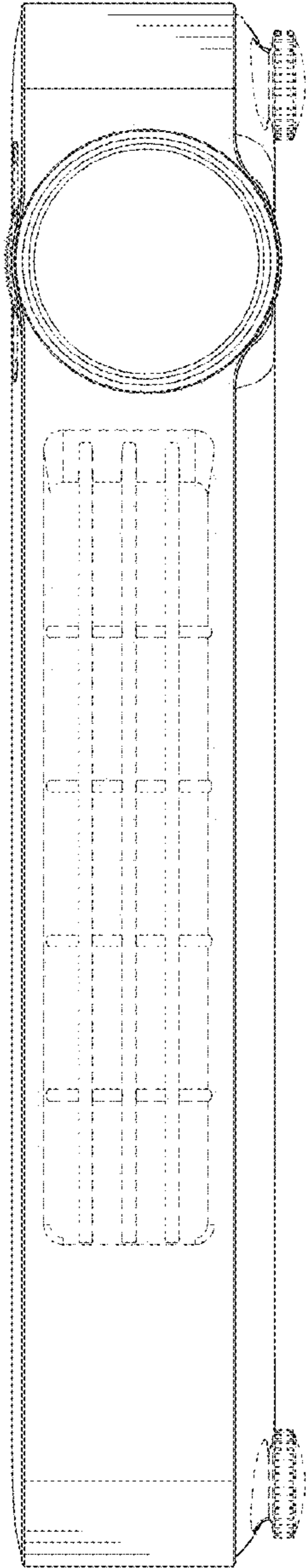


FIG. 2

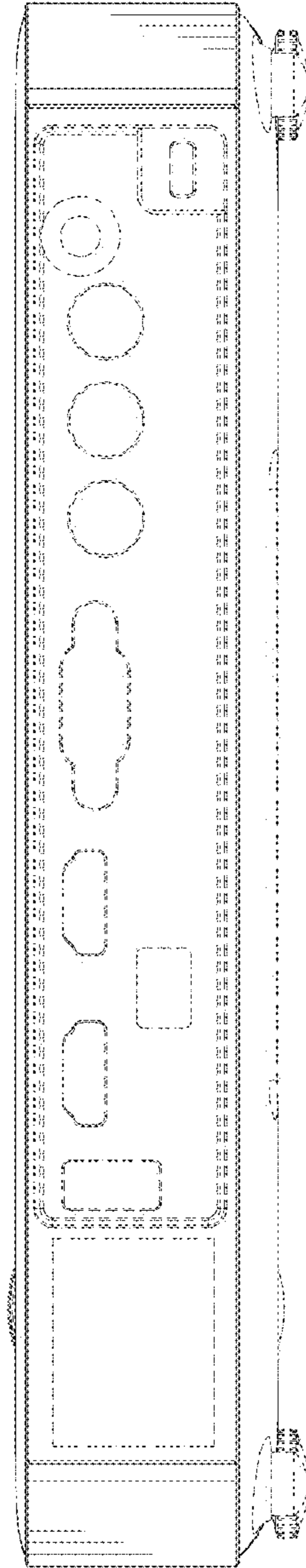


FIG. 3

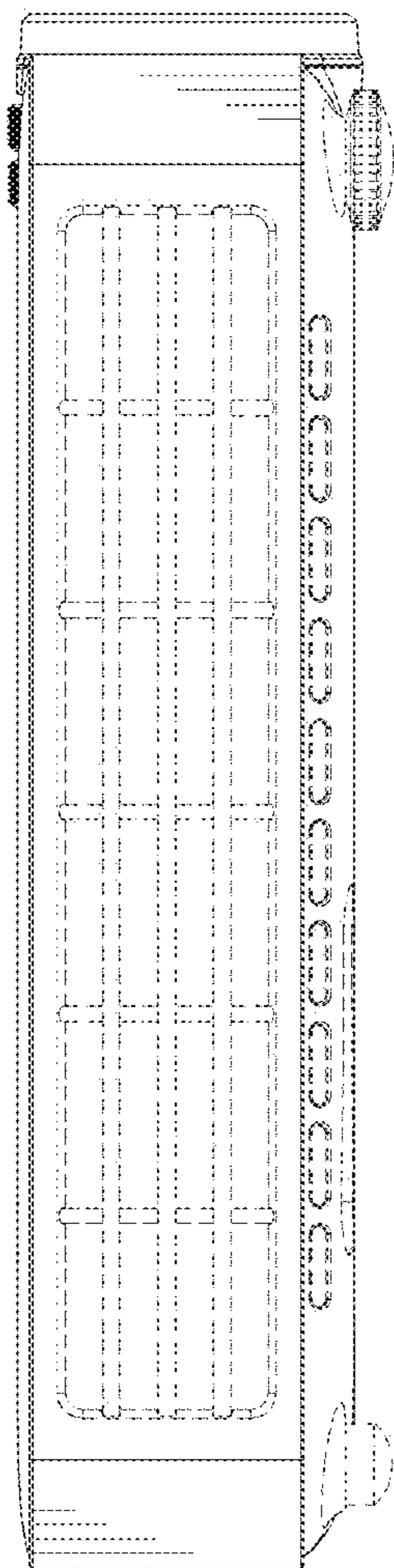


FIG. 4

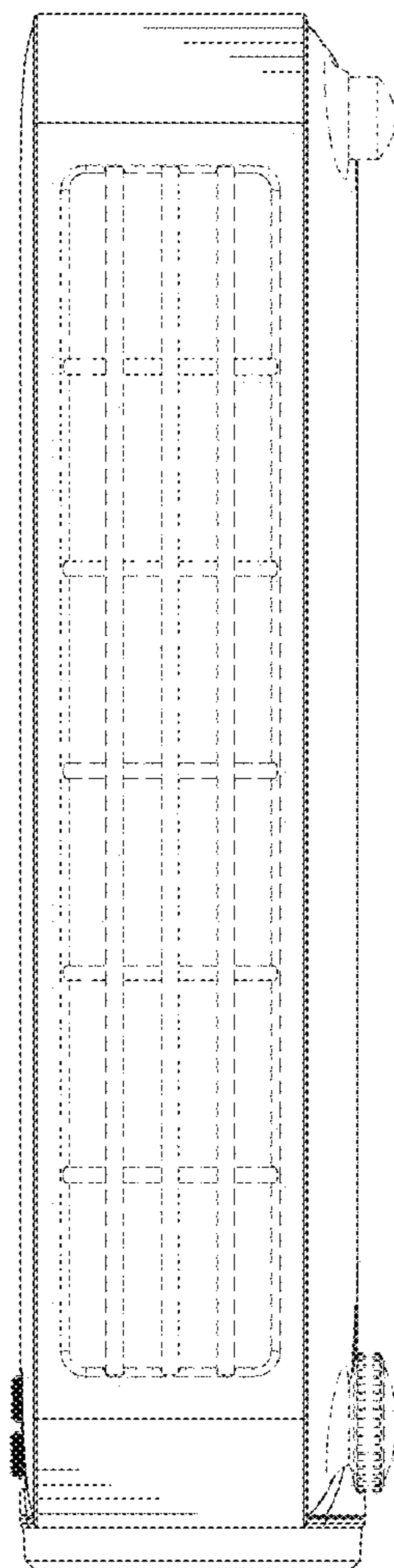


FIG. 5

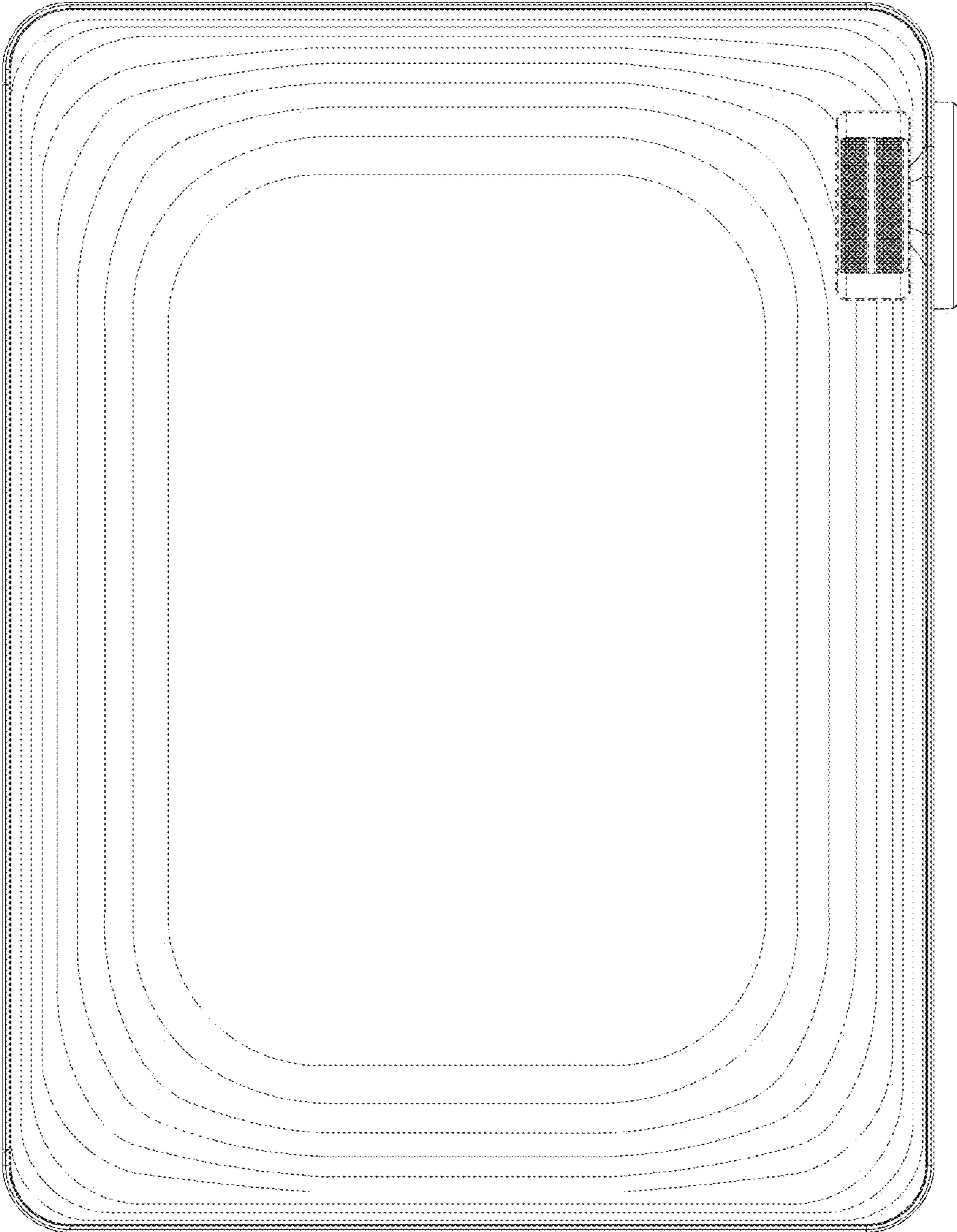


FIG. 6

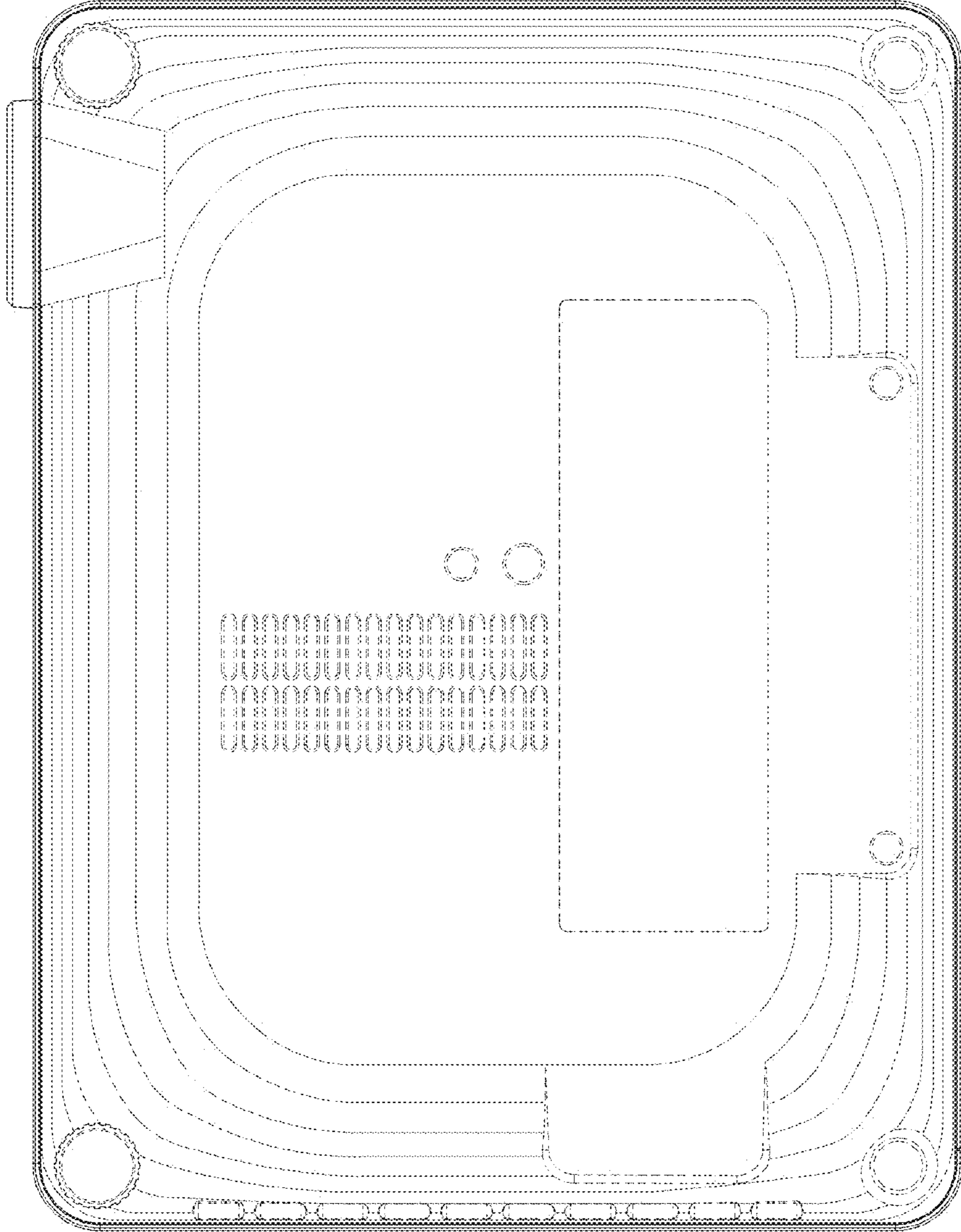


FIG. 7

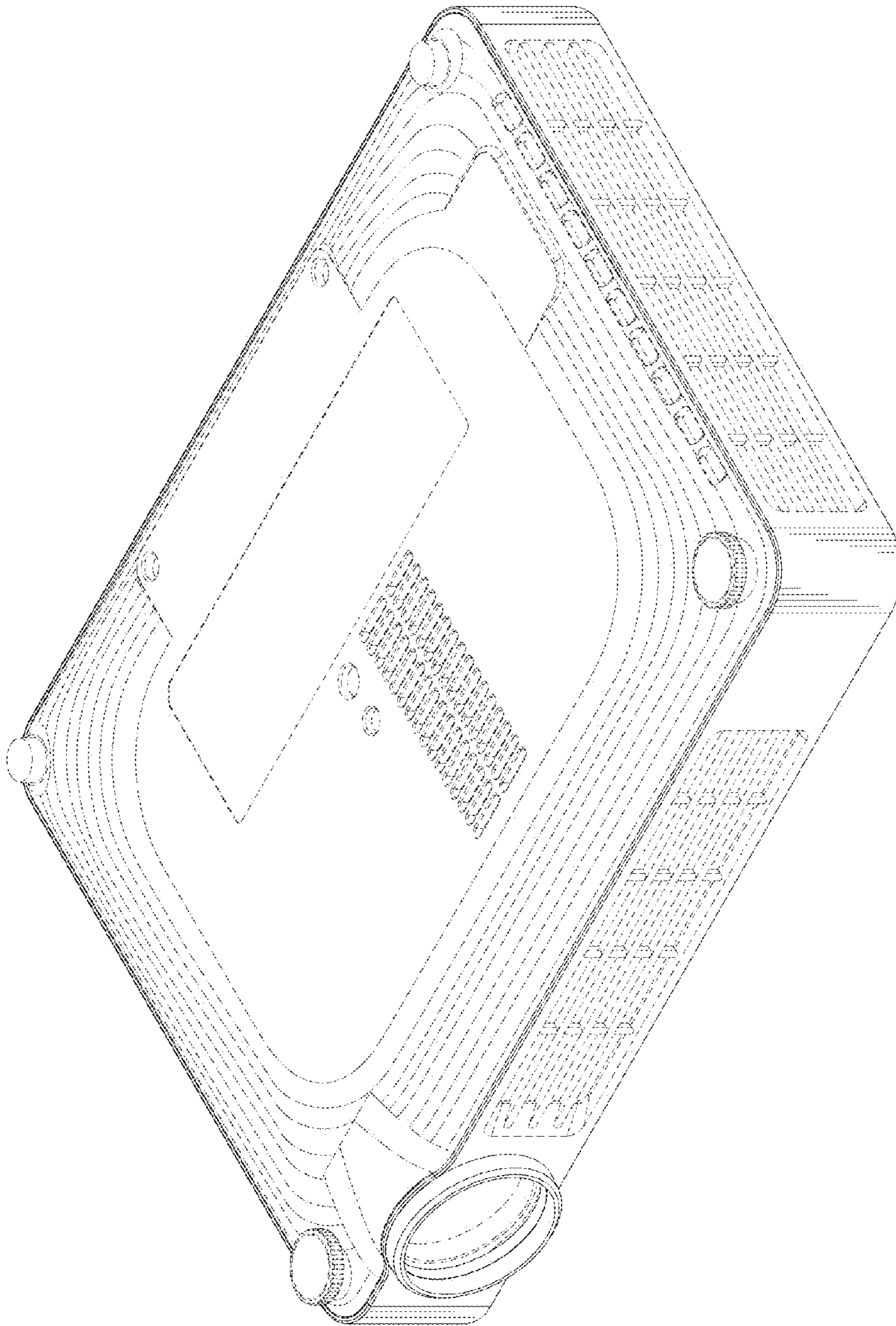


FIG. 8

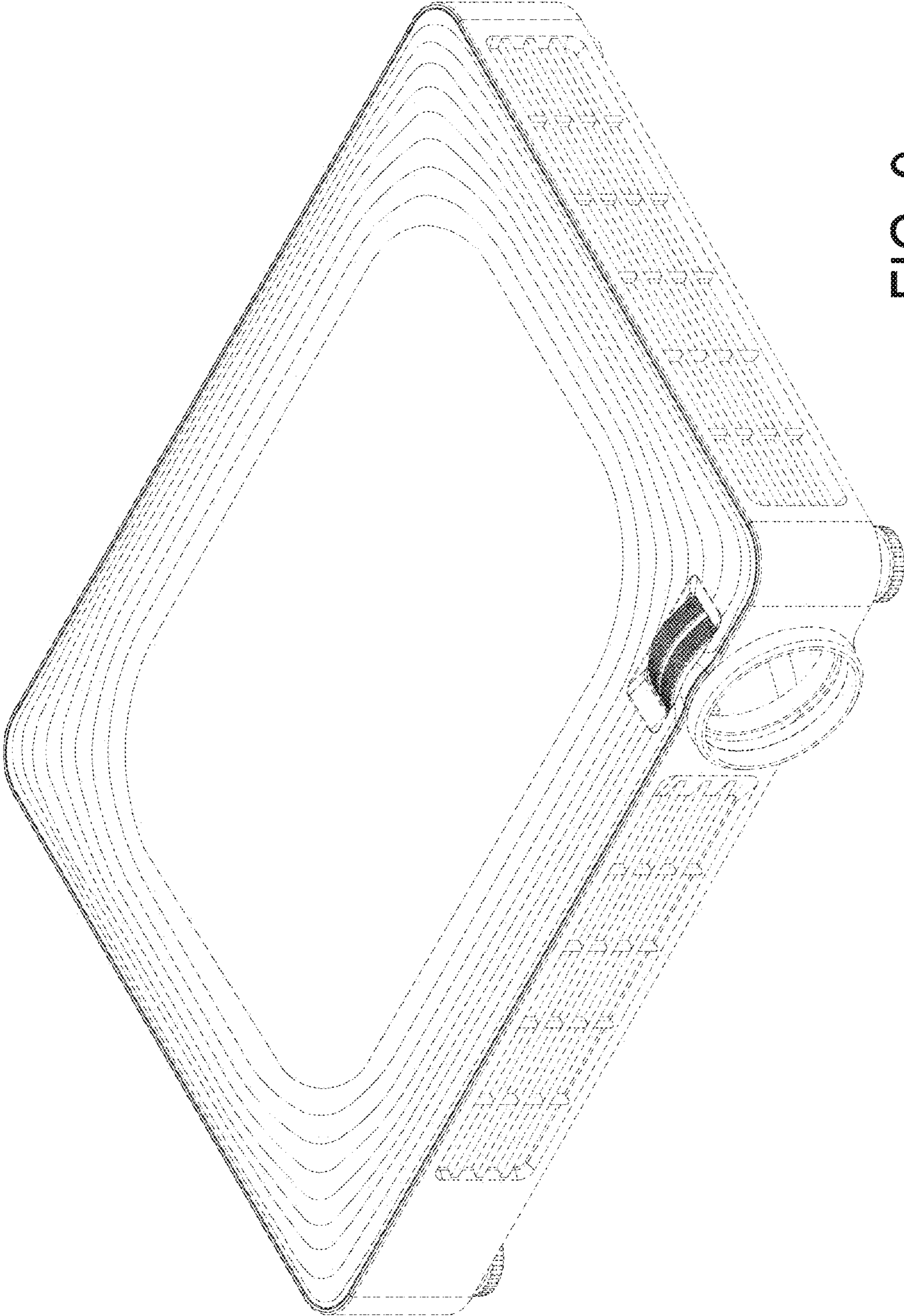


FIG. 9



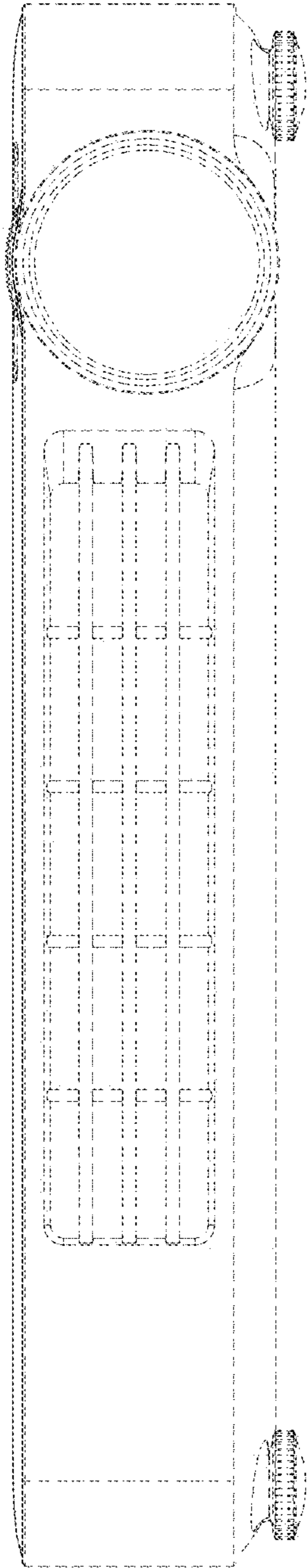


FIG. 10

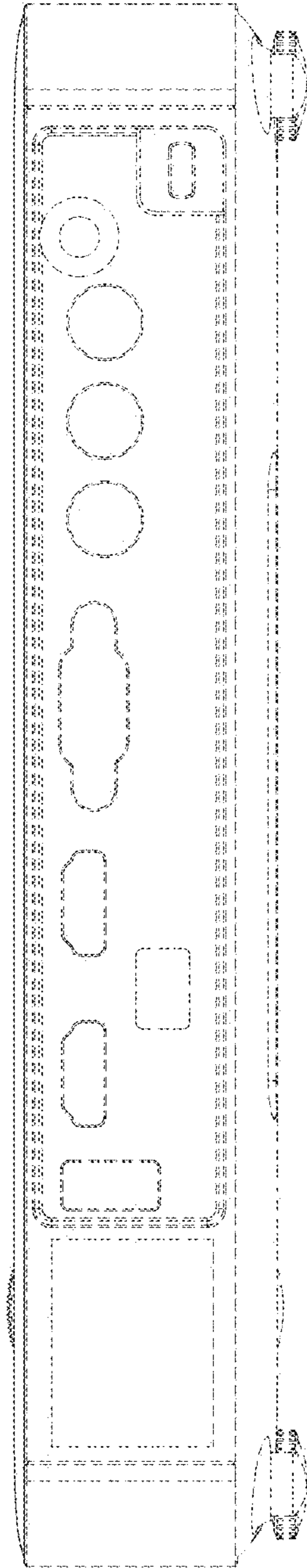


FIG. 11

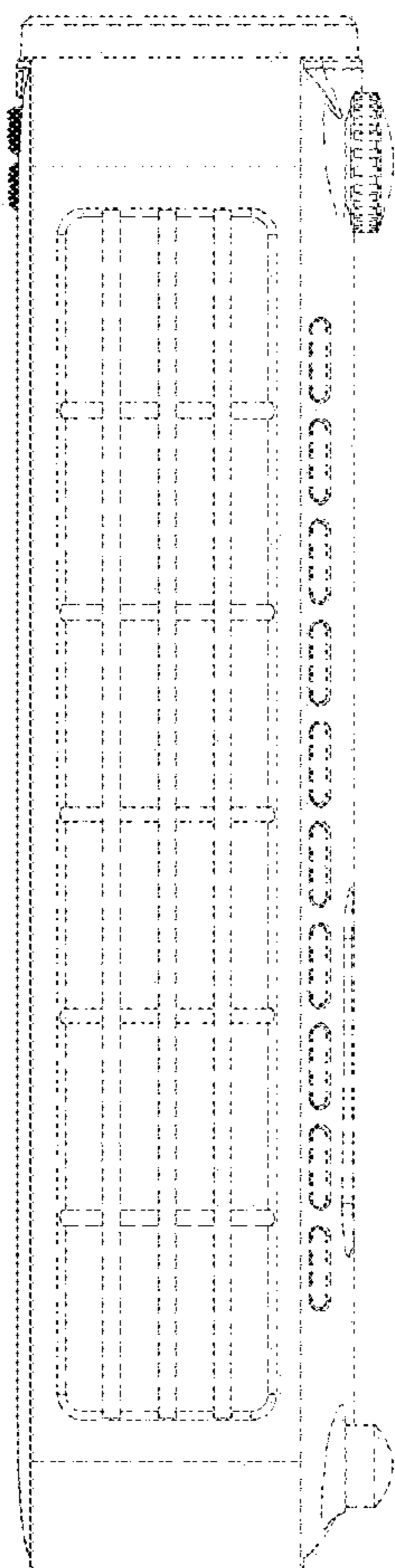


FIG. 12

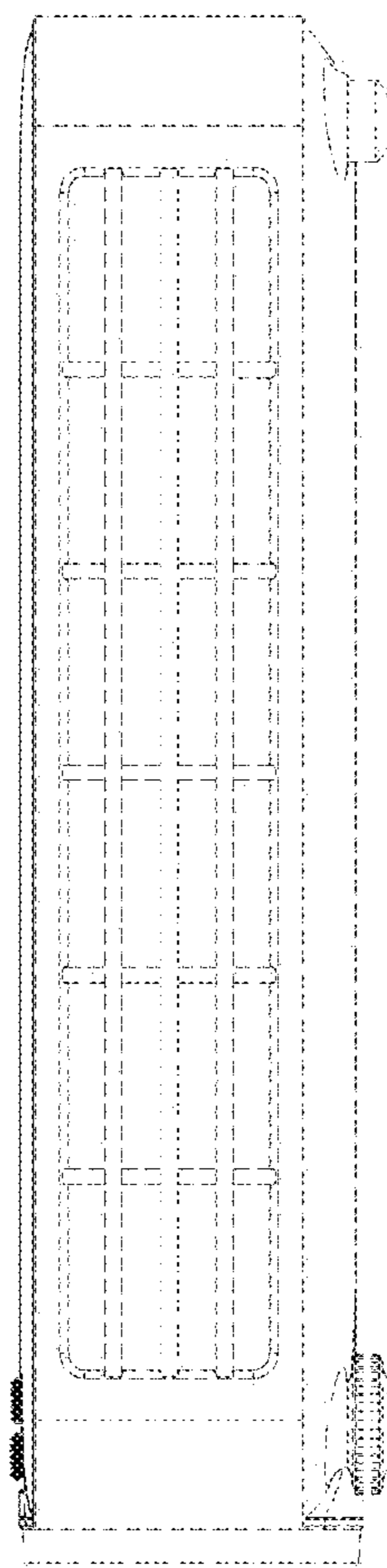


FIG. 13

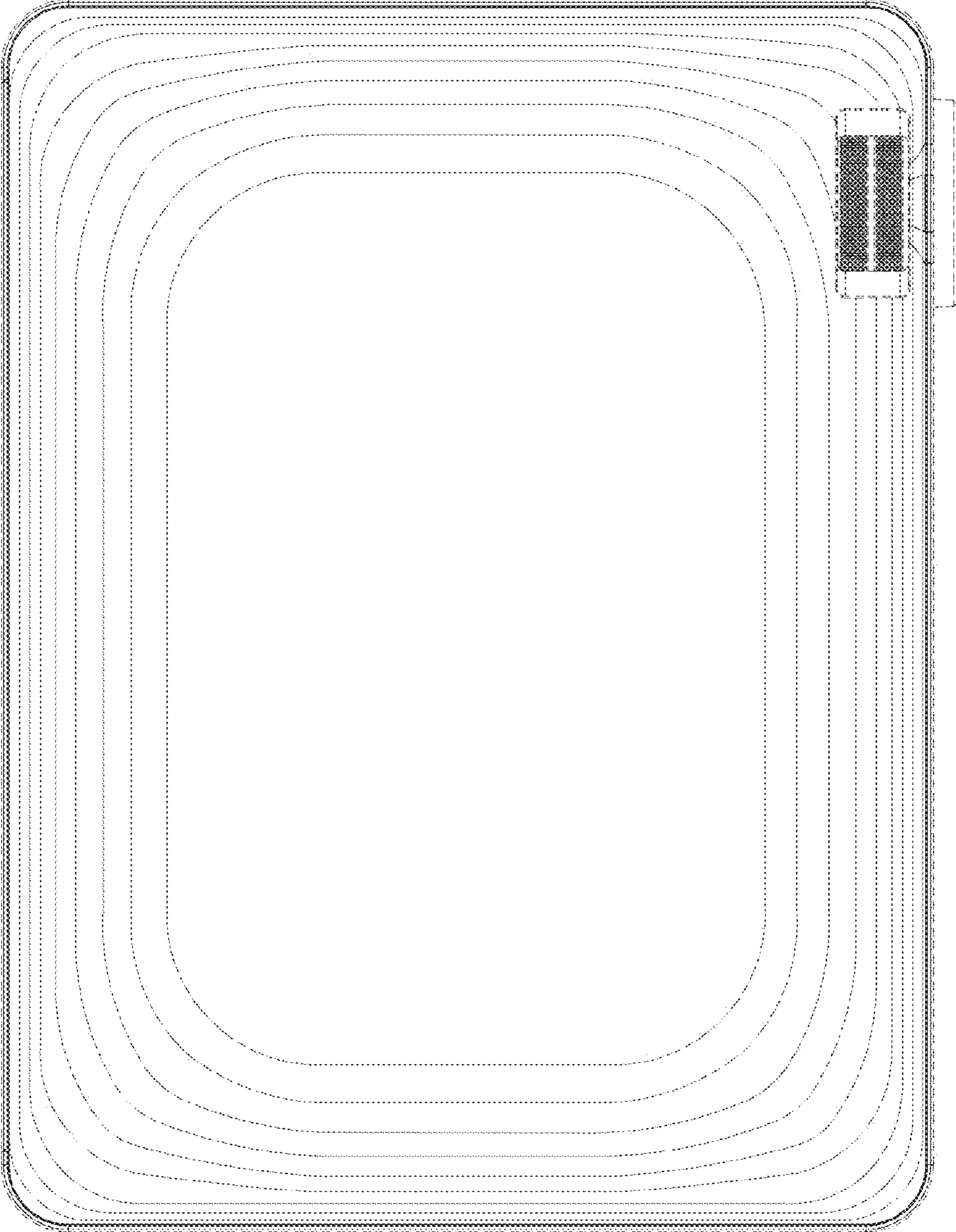


FIG. 14

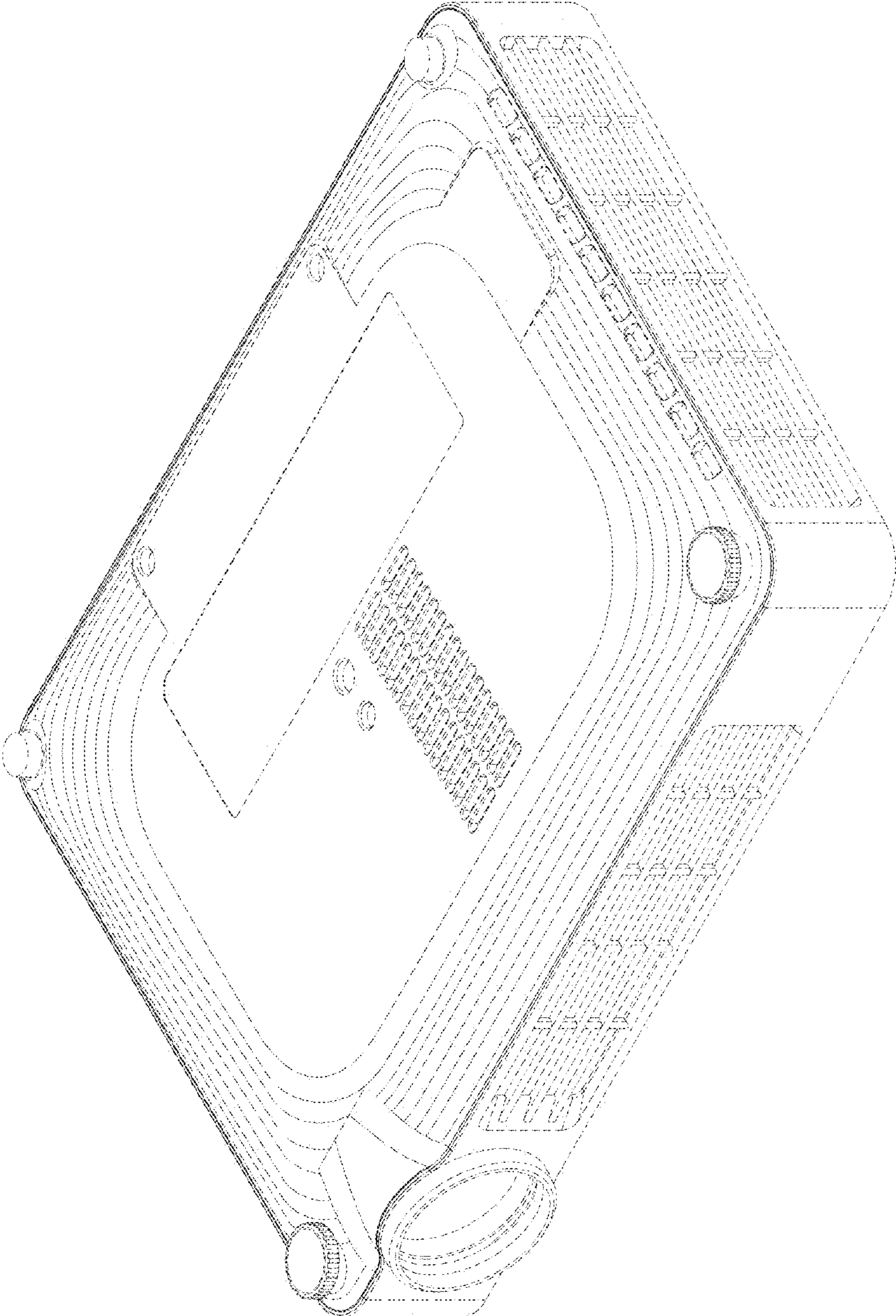


FIG. 15

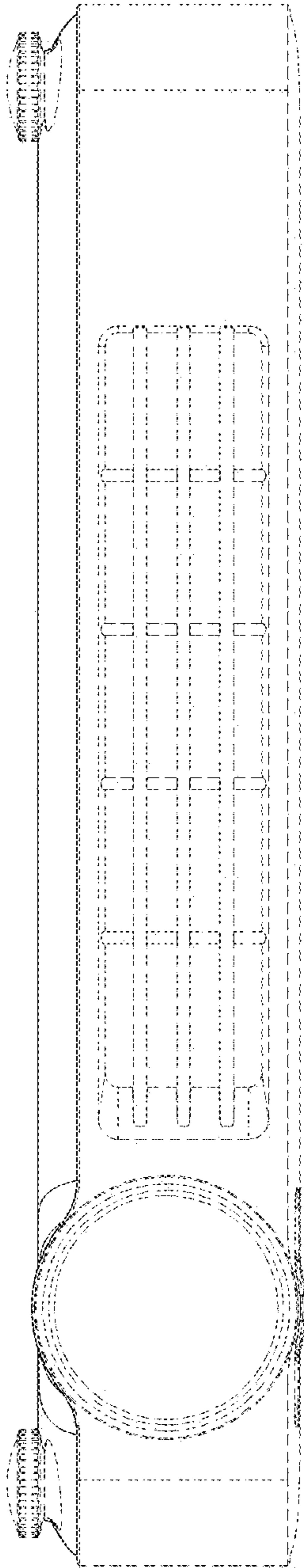


FIG. 16

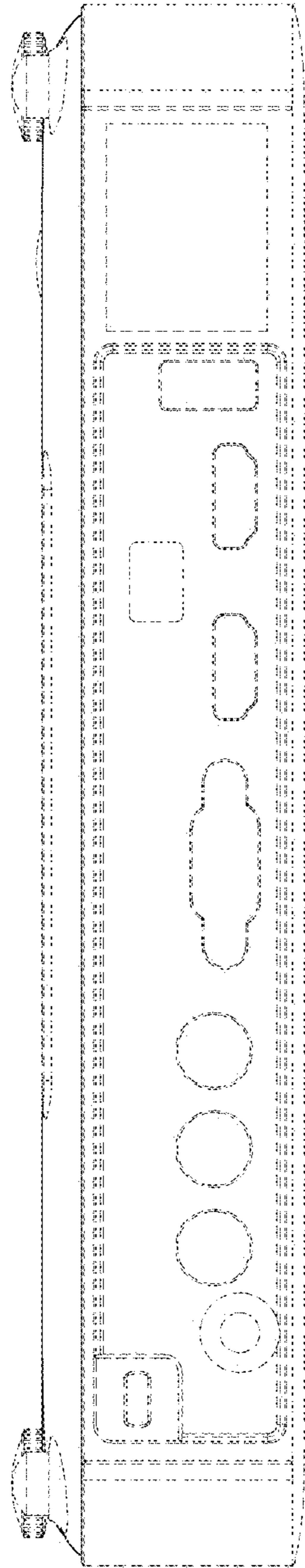


FIG. 17

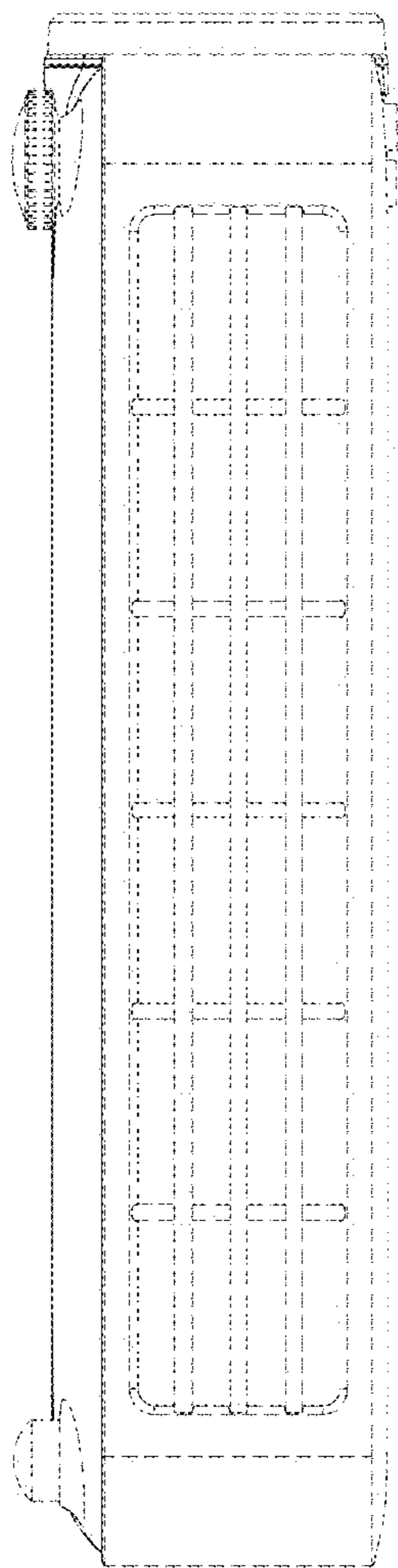


FIG. 18

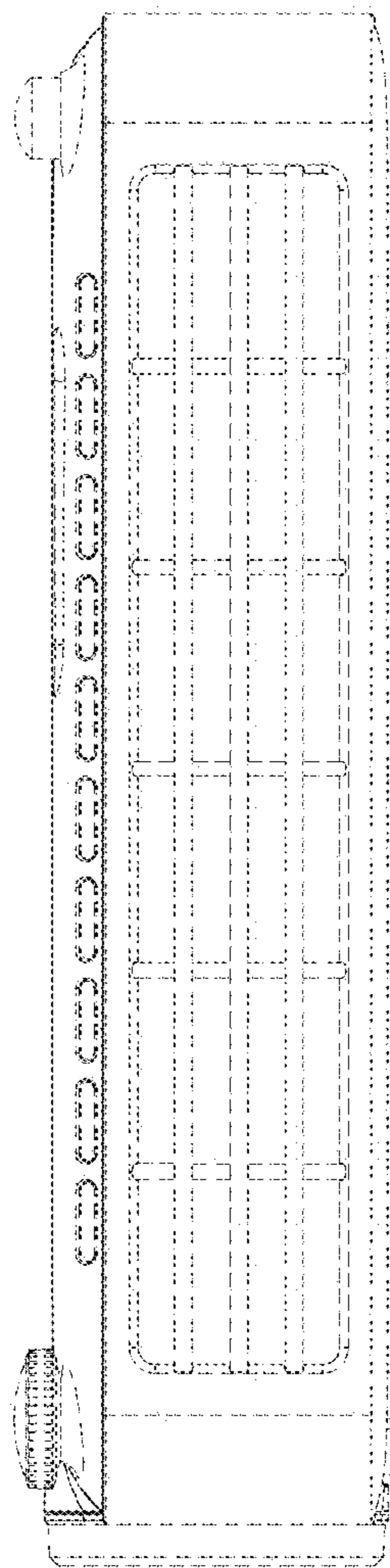


FIG. 19

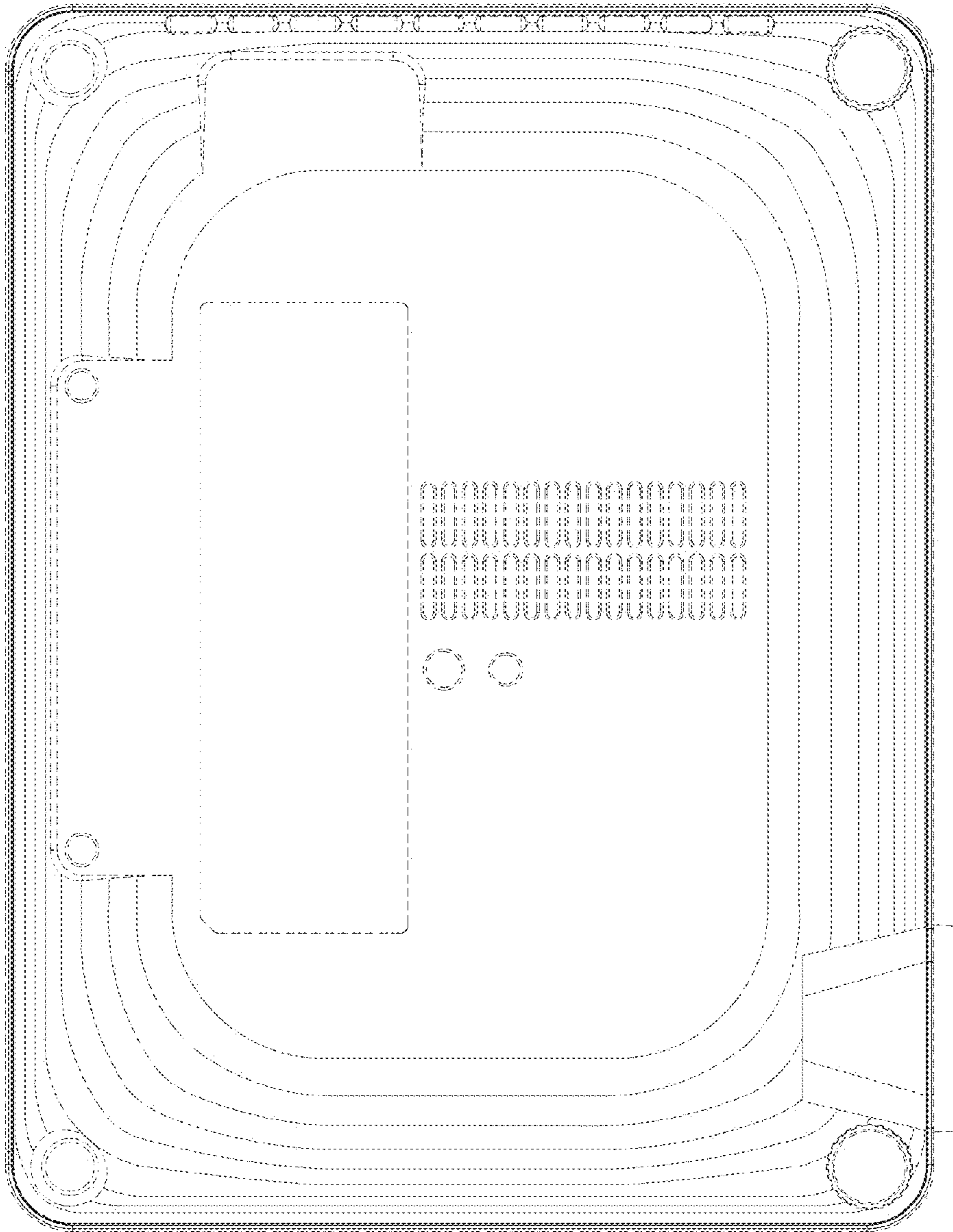


FIG. 20