



US00D714850S

(12) **United States Design Patent**
De La Hamayde

(10) **Patent No.:** **US D714,850 S**

(45) **Date of Patent:** **** Oct. 7, 2014**

- (54) **LAMINATING MACHINE**
- (71) Applicant: **Sebastien De La Hamayde**, Leicester (GB)
- (72) Inventor: **Sebastien De La Hamayde**, Leicester (GB)
- (73) Assignee: **Vivid Laminating Technologies Limited**, Coalville (GB)
- (**) Term: **14 Years**
- (21) Appl. No.: **29/475,945**
- (22) Filed: **Dec. 9, 2013**
- (51) **LOC (10) Cl.** **15-99**
- (52) **U.S. Cl.**
USPC **D15/146**
- (58) **Field of Classification Search**
USPC D15/145-146; 53/374.9, 389.2, 389.3, 53/390, 510, 512; 100/160, 176; 101/9; 156/215, 286, 299, 320, 382, 461, 464, 156/468, 479, 483, 484, 490, 515, 555, 556, 156/560, 582, 587, 583.1, 583.4, 583.9; 219/143; 493/256
See application file for complete search history.

- D338,025 S * 8/1993 Washizaki et al. D15/145
- D347,013 S * 5/1994 Taguchi et al. D15/145
- D454,895 S * 3/2002 Sakata et al. D15/146
- D523,070 S * 6/2006 Schneider D18/50
- D544,533 S * 6/2007 Moliner et al. D18/53
- D595,345 S * 6/2009 Yagi et al. D18/53
- D595,346 S * 6/2009 Yamano et al. D18/53
- D597,131 S * 7/2009 Yamano et al. D18/53
- D669,510 S * 10/2012 de la Hamayde D15/146
- D672,380 S * 12/2012 de la Hamayde D15/146

* cited by examiner

Primary Examiner — Patricia Palasik
(74) *Attorney, Agent, or Firm* — Clifford Kraft

(57) **CLAIM**

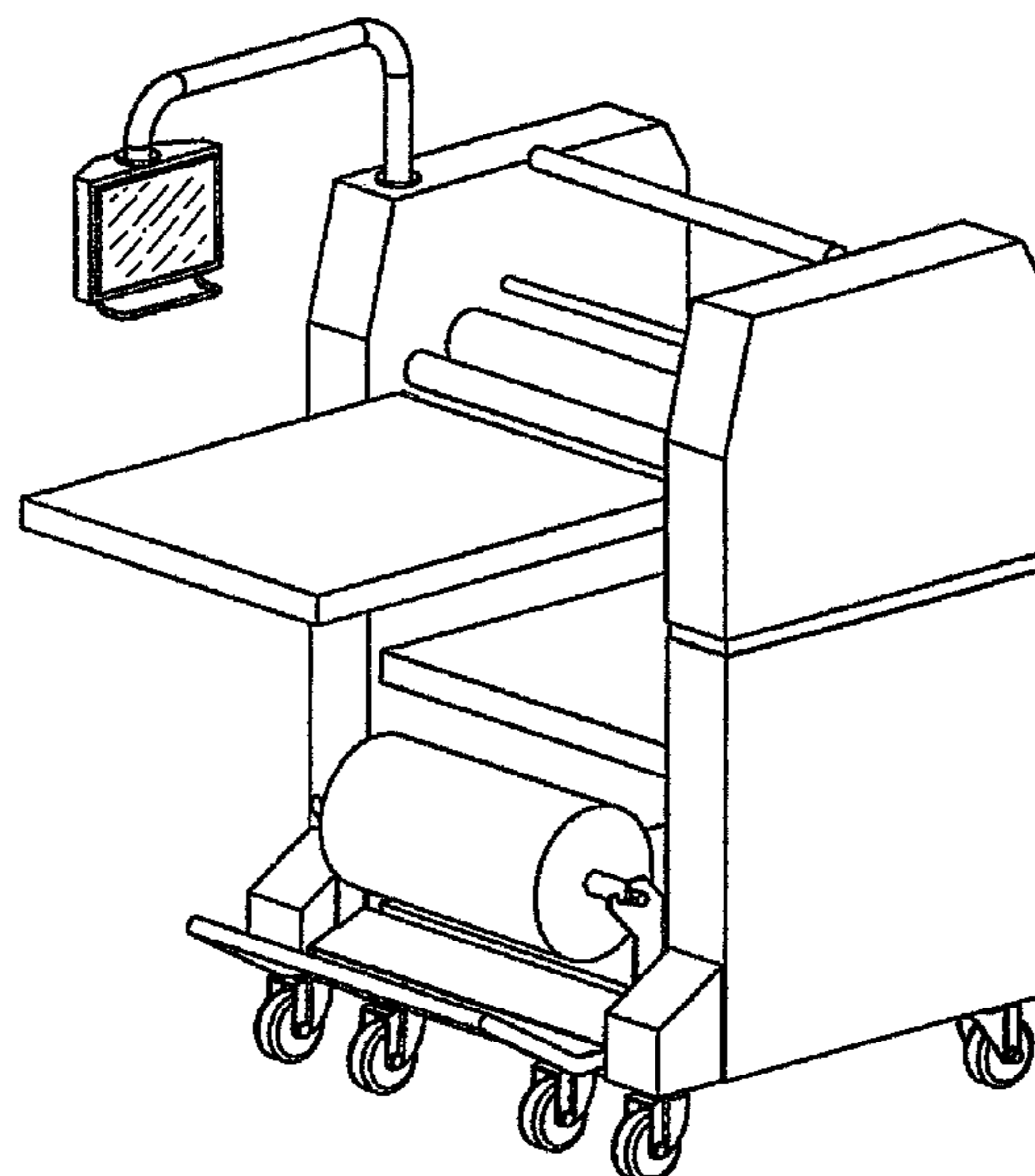
The ornamental design for a laminating machine, as shown and described.

DESCRIPTION

FIG. 1 is a perspective view of an embodiment of the invention.
 FIG. 2 is a front view thereof.
 FIG. 3 is a left view thereof.
 FIG. 4 is a right view thereof.
 FIG. 5 is a back view thereof.
 FIG. 6 is a top view thereof.
 FIG. 7 is a bottom view thereof; and,
 FIG. 8 is a left side view thereof showing in broken lines a mode of operation for the laminating machine with the lower tray and roll extended. This mode is not part of the claimed invention.
 Broken lines indicate boundaries of regions that form no part of the claimed design.
 Slanted shading on FIGS. 3 and 8 indicate translucency.

1 Claim, 8 Drawing Sheets

- (56) **References Cited**
U.S. PATENT DOCUMENTS
4,418,511 A * 12/1983 Collin 53/427
4,545,175 A * 10/1985 Beckett 53/69
4,545,176 A * 10/1985 Marchetti 53/76
5,106,450 A * 4/1992 Freisitzer et al. 156/517
D328,307 S * 7/1992 Belletire et al. D15/145



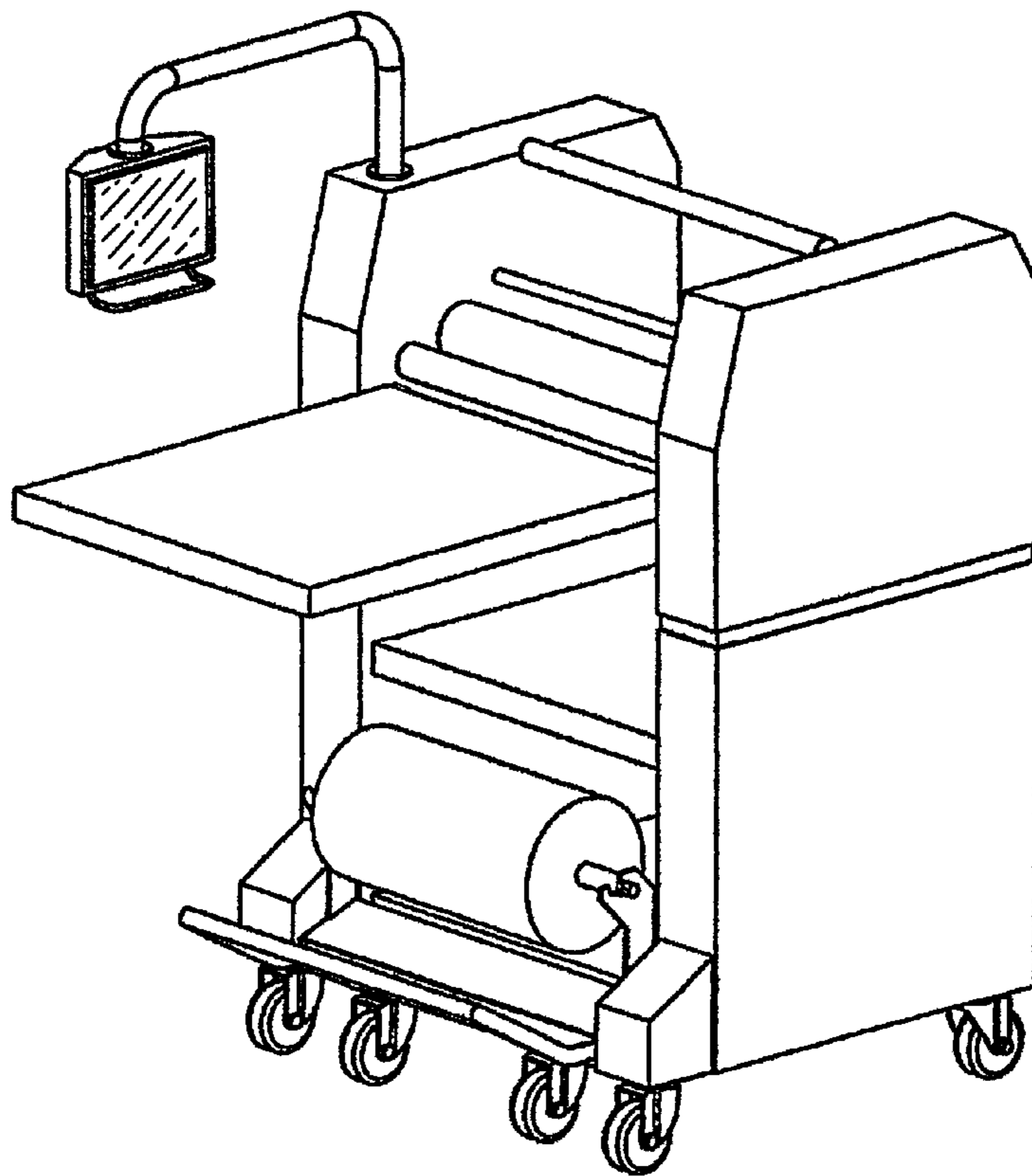


FIG. 1

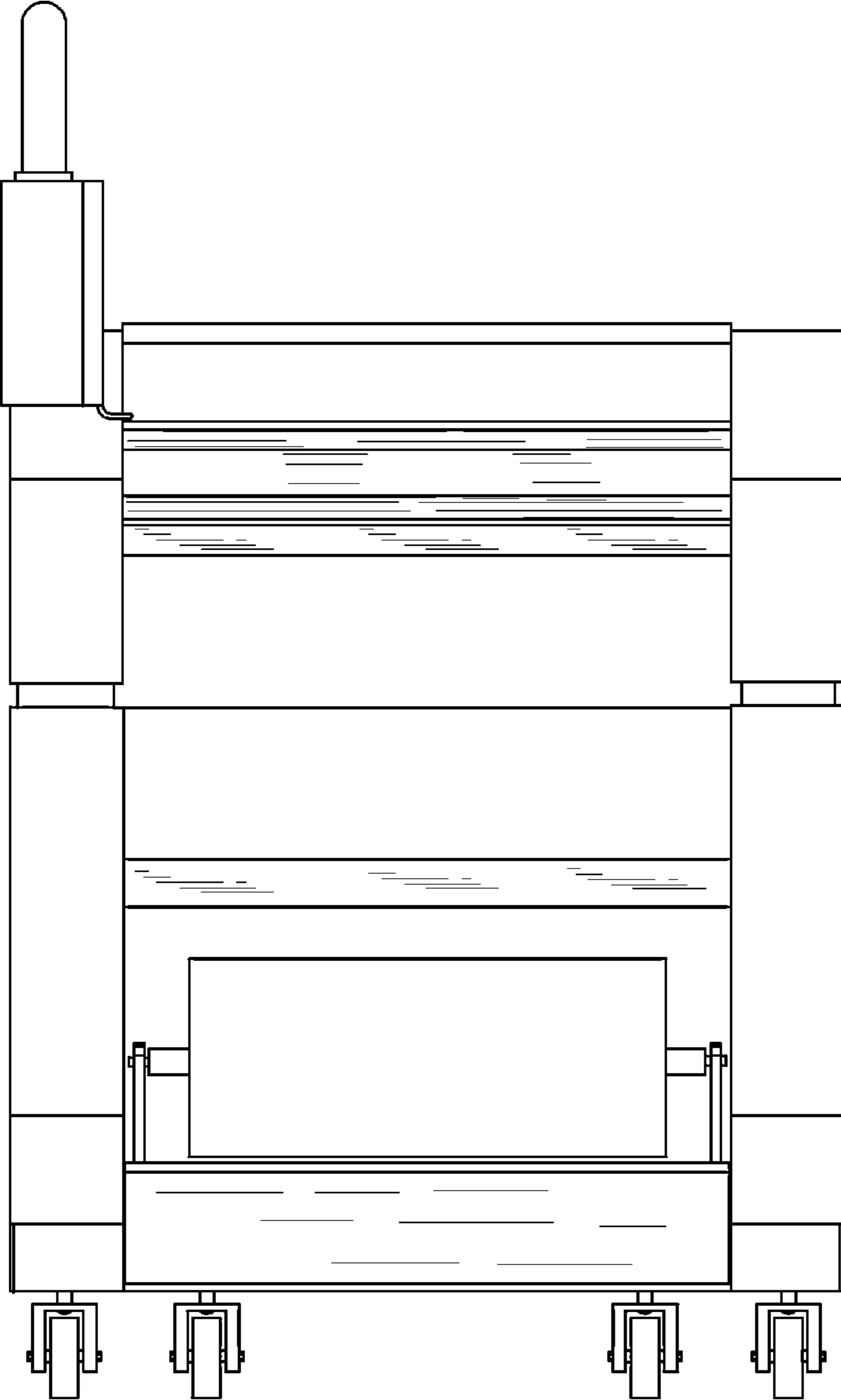


FIG. 2

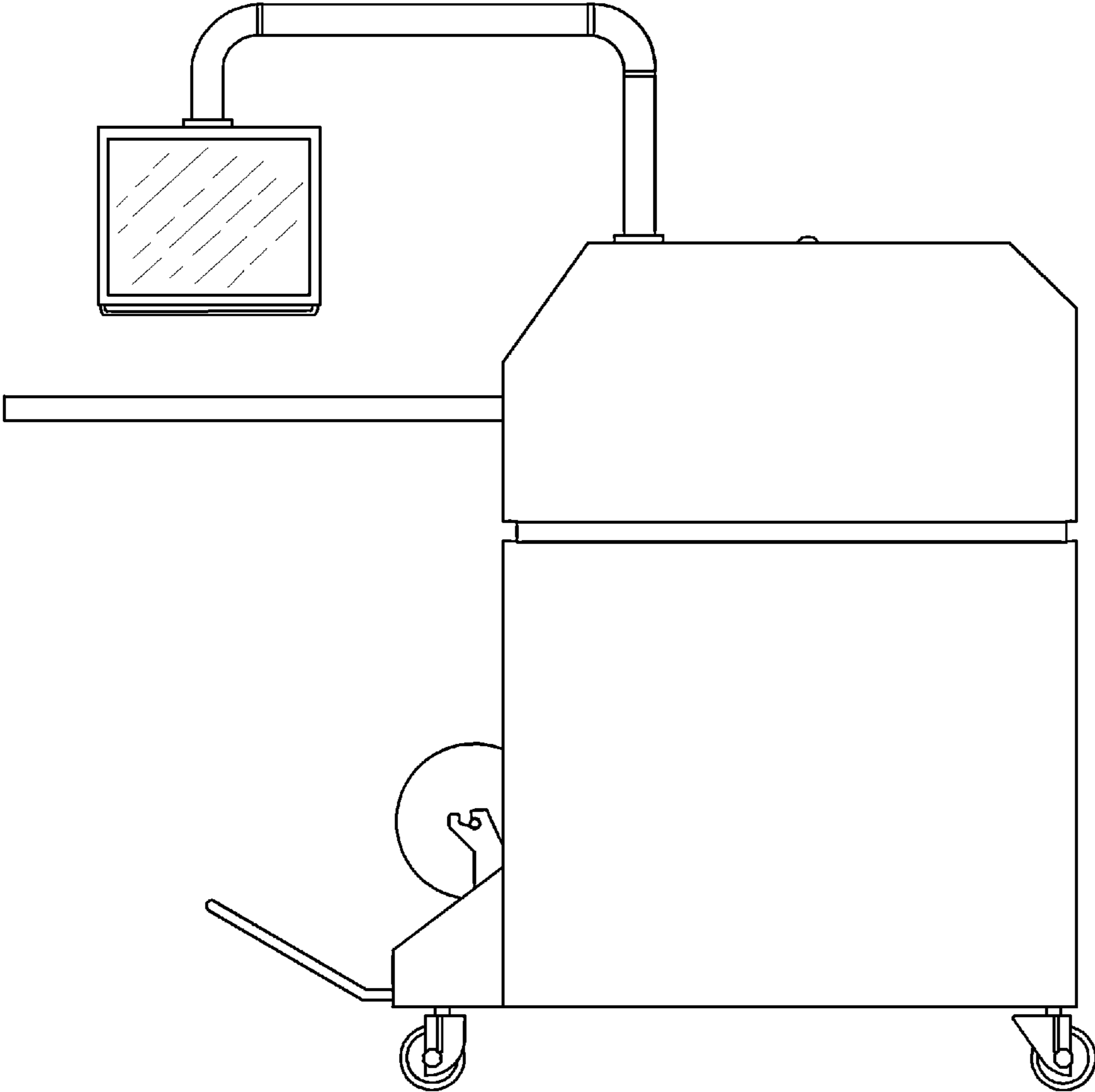


FIG. 3

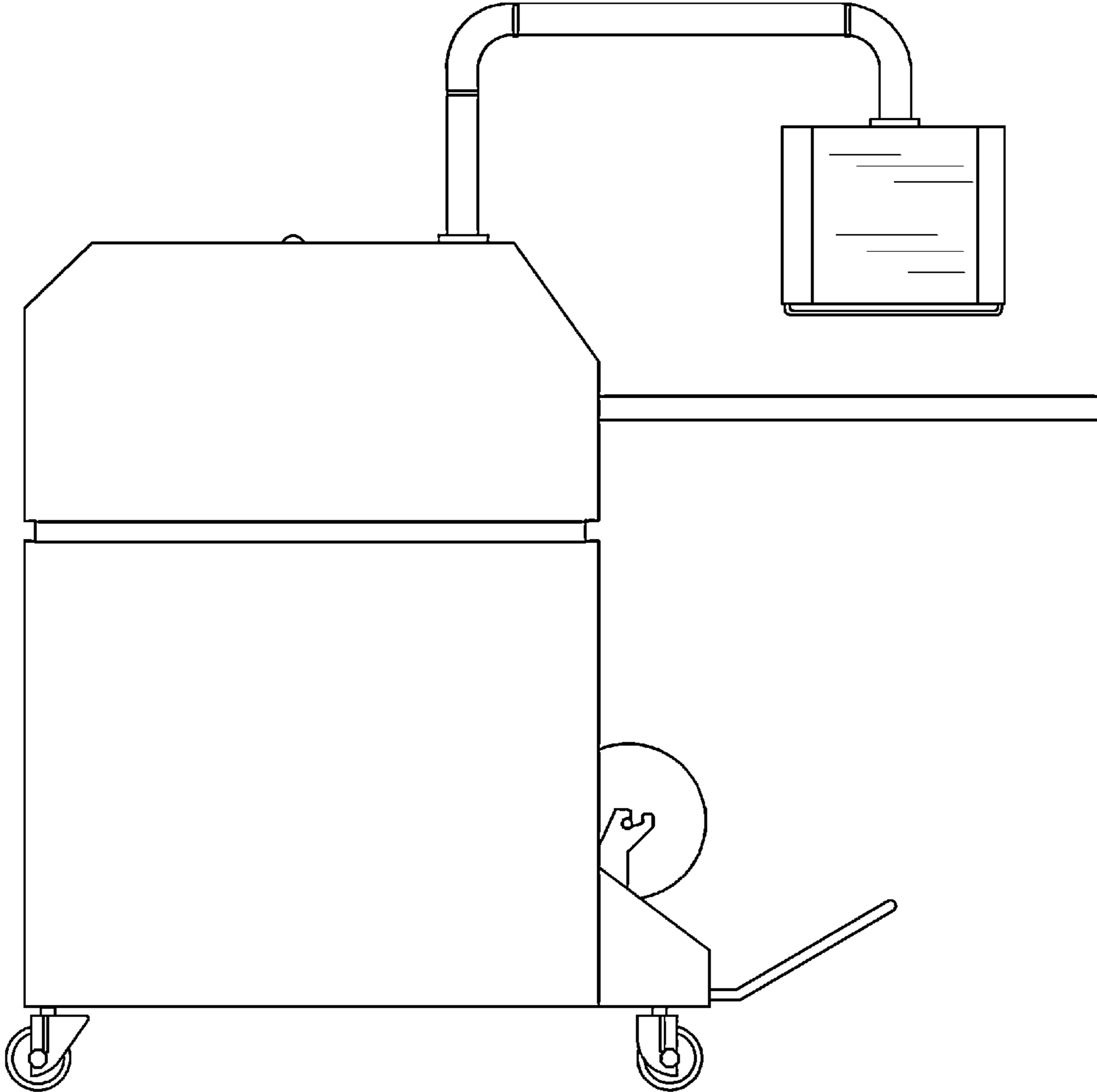


FIG. 4

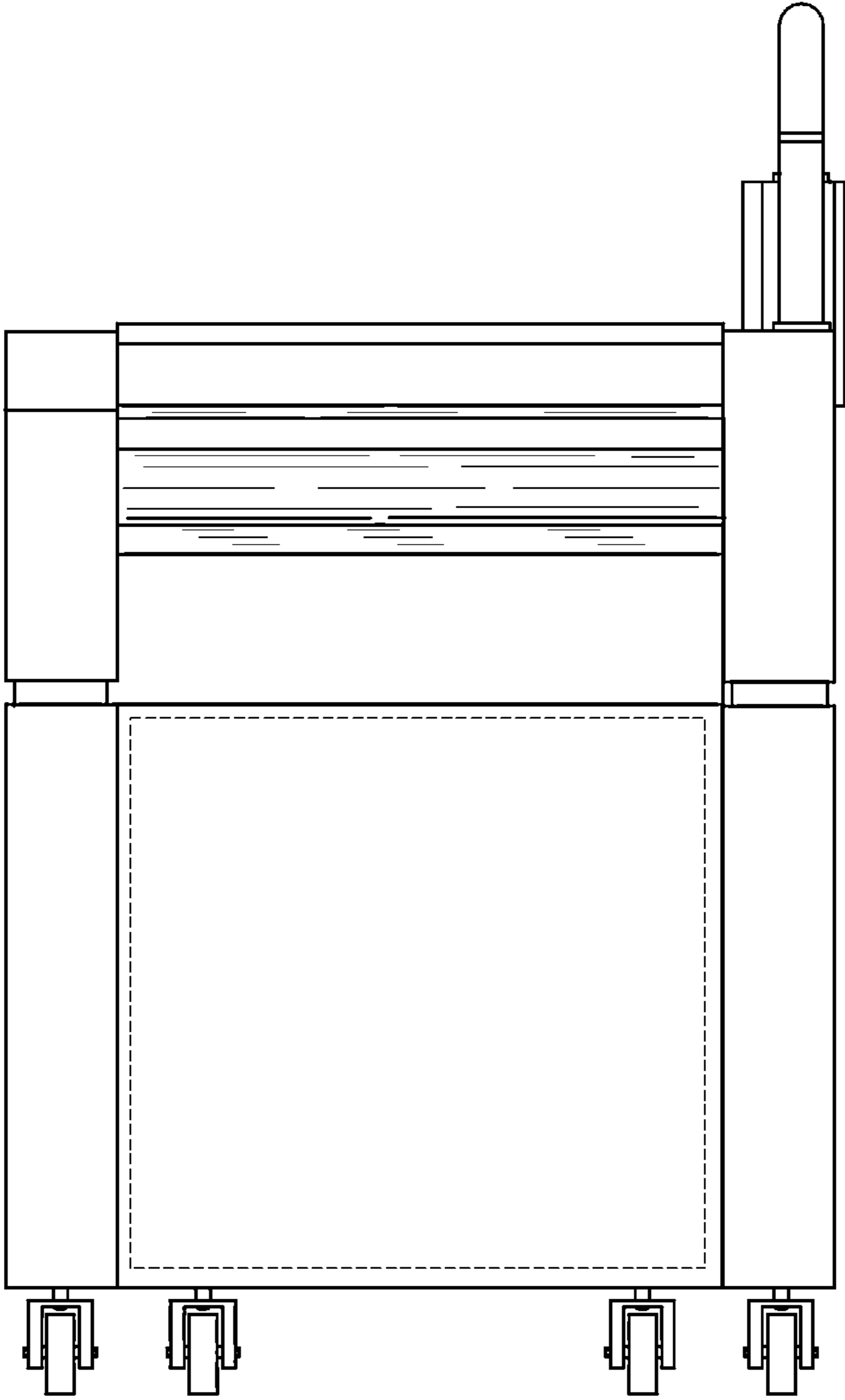


FIG. 5

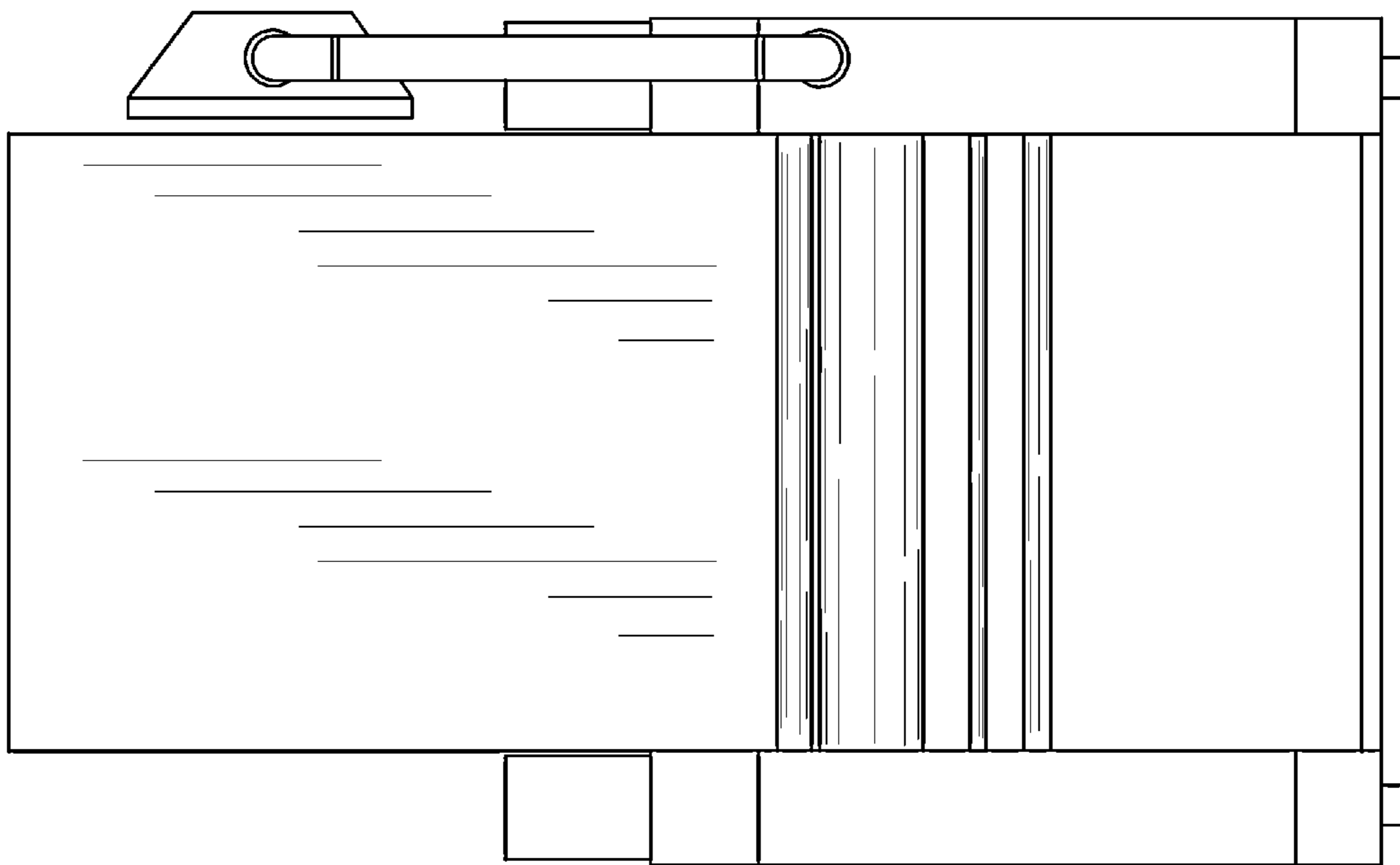


FIG. 6

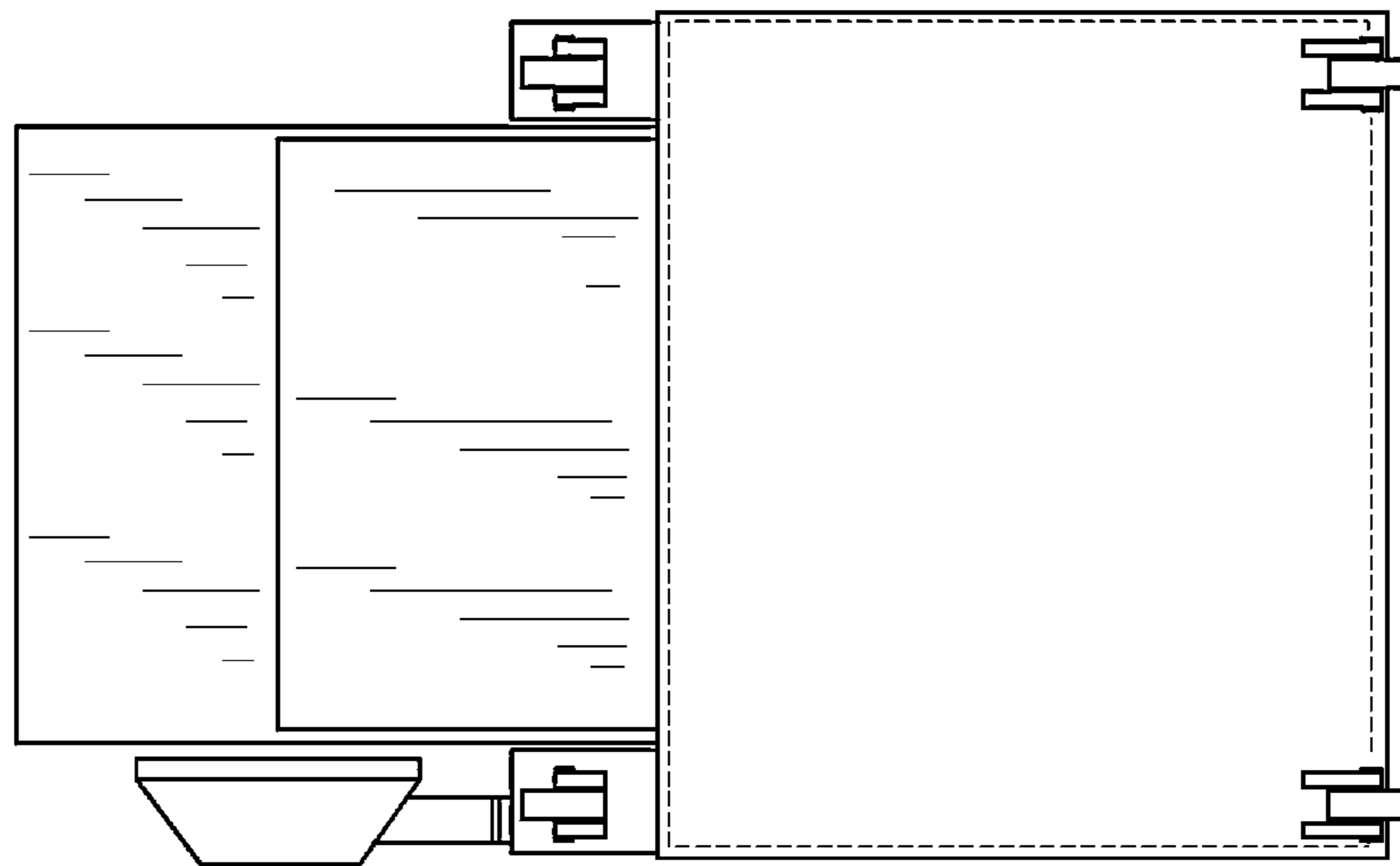


FIG. 7

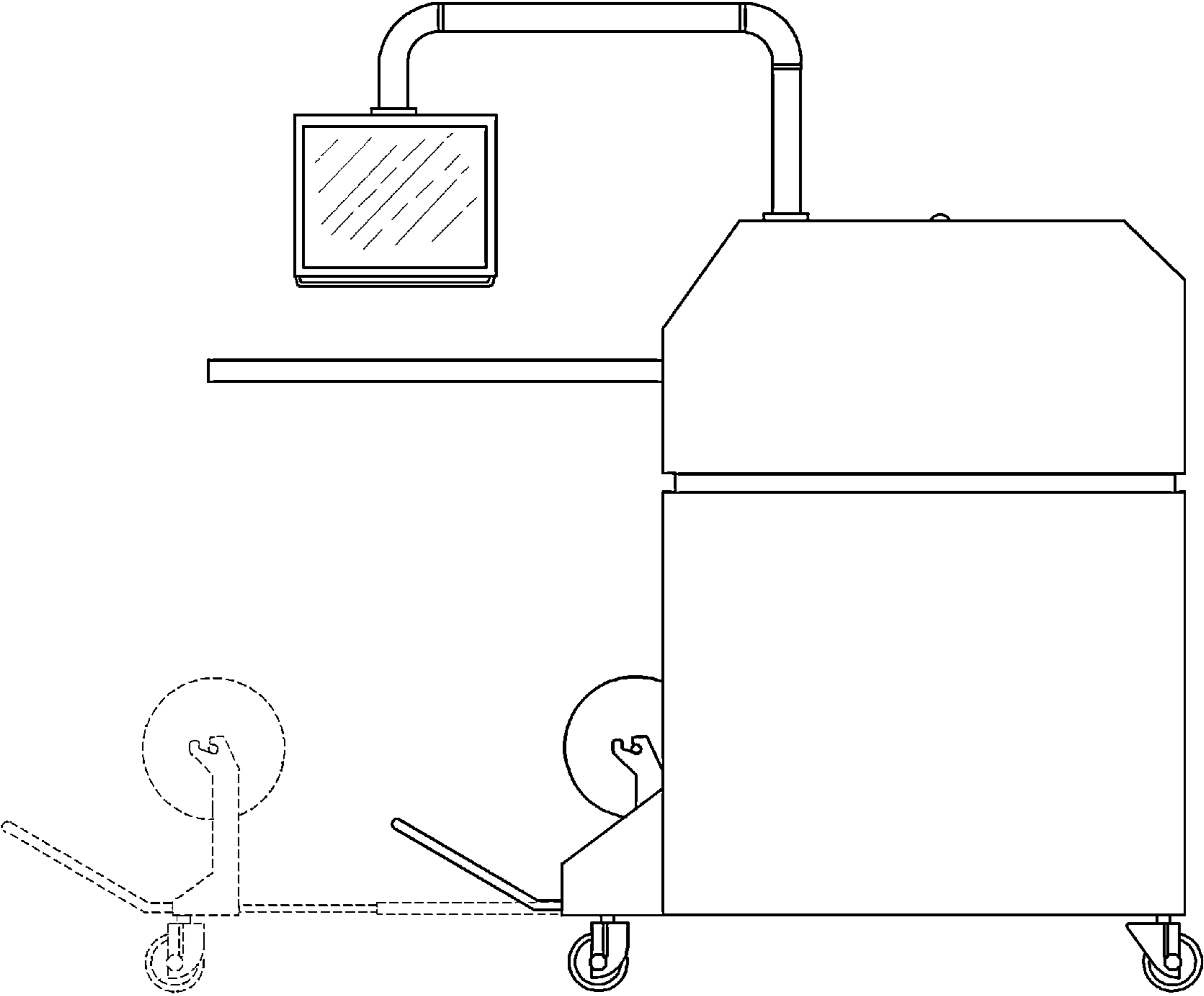


FIG. 8