



US00D714849S

(12) **United States Design Patent**  
**Choi et al.**

(10) **Patent No.:** **US D714,849 S**  
(45) **Date of Patent:** **\*\* Oct. 7, 2014**

(54) **CUTTING INSERT**

(71) Applicant: **TaeguTec Ltd.**, Daegu (KR)

(72) Inventors: **Chang Hee Choi**, Daegu (KR); **Chang Gyu Park**, Daegu (KR); **Kang Sool Jung**, Daegu (KR)

(73) Assignee: **TaeguTec Ltd.**, Daegu (KR)

(\*\*) Term: **14 Years**

(21) Appl. No.: **29/477,856**

(22) Filed: **Dec. 27, 2013**

(51) **LOC (10) Cl.** ..... **15-09**

(52) **U.S. Cl.**  
USPC ..... **D15/139**

(58) **Field of Classification Search**  
USPC ..... D8/70, 71; D15/131, 138, 139, 140;  
407/35, 42, 112-119  
See application file for complete search history.

(56) **References Cited**

**U.S. PATENT DOCUMENTS**

4,776,732	A *	10/1988	Hale	.....	407/114
5,226,761	A *	7/1993	Satran et al.	.....	407/114
D429,261	S *	8/2000	Hartlohner et al.	.....	D15/139
D481,048	S *	10/2003	Brockett et al.	.....	D15/139

D488,175	S *	4/2004	Kasperik et al.	.....	D15/139
2007/0041798	A1 *	2/2007	Nasu et al.	.....	407/114
2008/0044241	A1 *	2/2008	Koskinen	.....	407/103
2010/0028092	A1 *	2/2010	Choi et al.	.....	407/40
2010/0034602	A1 *	2/2010	Sung et al.	.....	407/113

\* cited by examiner

*Primary Examiner* — Patricia Palasik

(74) *Attorney, Agent, or Firm* — Hamre, Schumann, Mueller & Larson, P.C.

(57) **CLAIM**

The ornamental design for a cutting insert, as shown and described.

**DESCRIPTION**

FIG. 1 is a perspective view of a cutting insert showing our new design;  
FIG. 2 is a front elevational view thereof;  
FIG. 3 is a rear elevational view thereof;  
FIG. 4 is a left side view thereof;  
FIG. 5 is a right side view thereof;  
FIG. 6 is a top plan view thereof;  
FIG. 7 is a bottom plan view thereof; and,  
FIG. 8 is a cross-sectional view taken along line 8-8 of FIG. 2.  
The broken line environmental showing is for illustrative purposes only and forms no part of the claimed design.

**1 Claim, 4 Drawing Sheets**

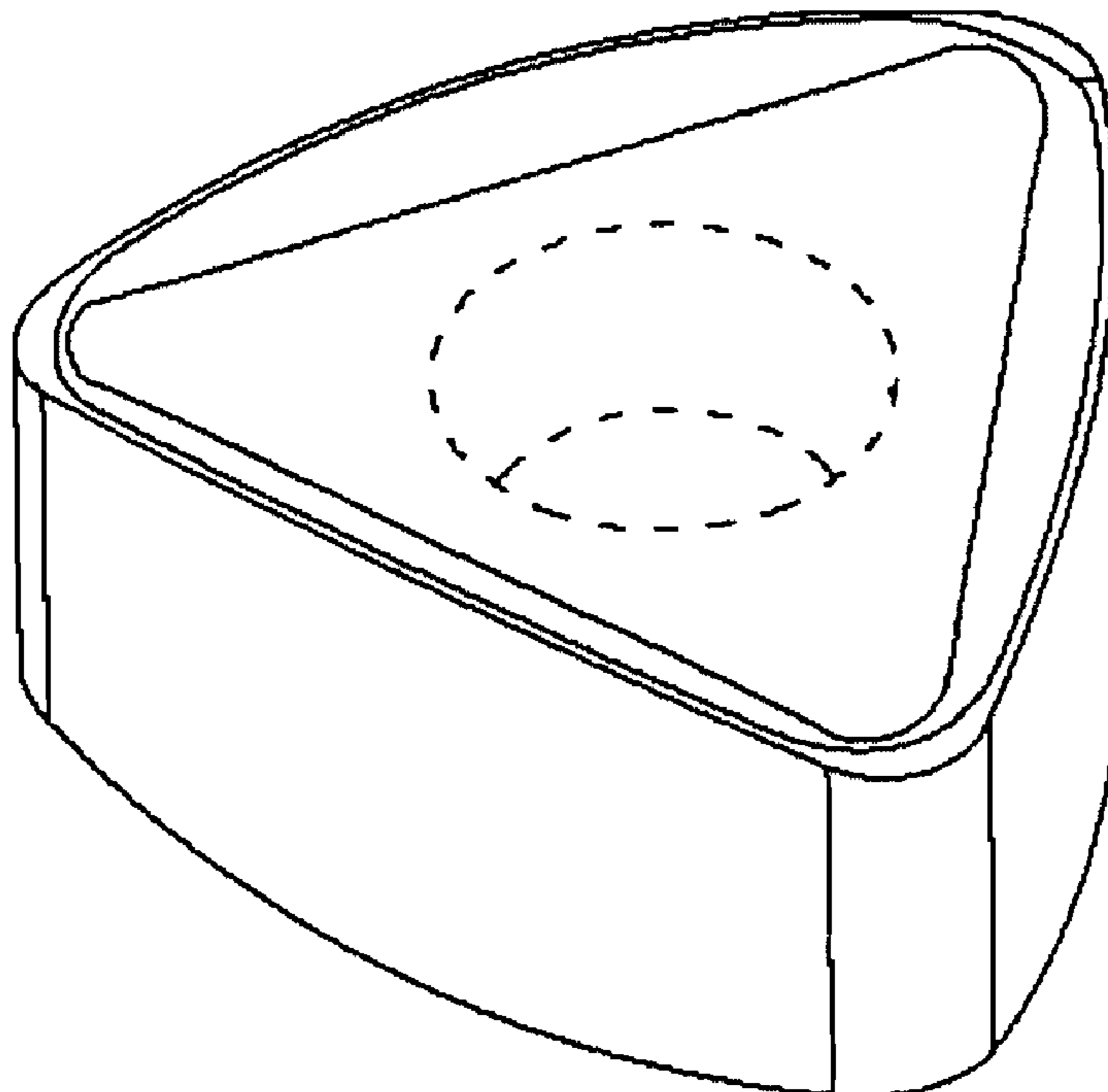


FIG. 1

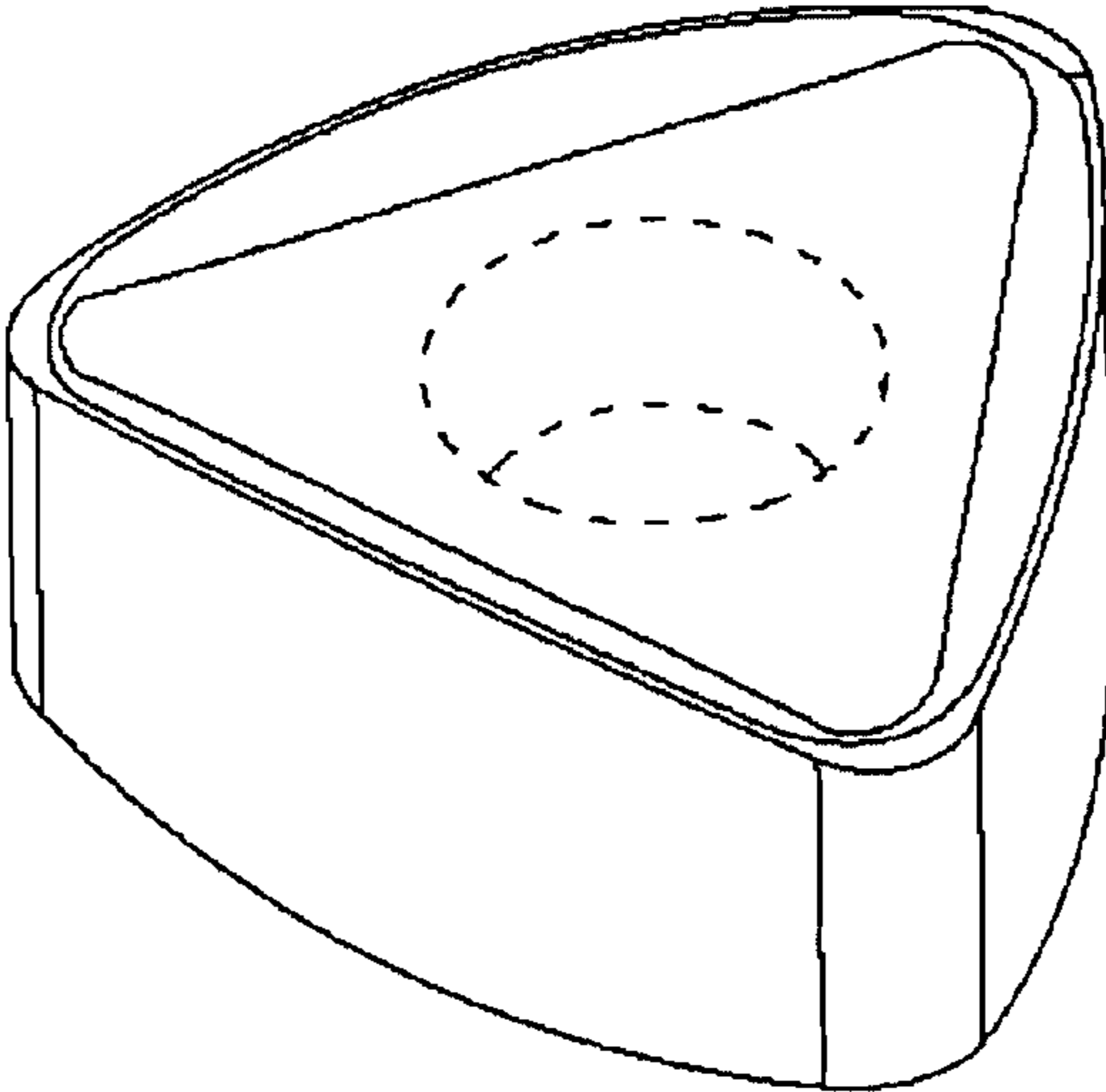


FIG. 2

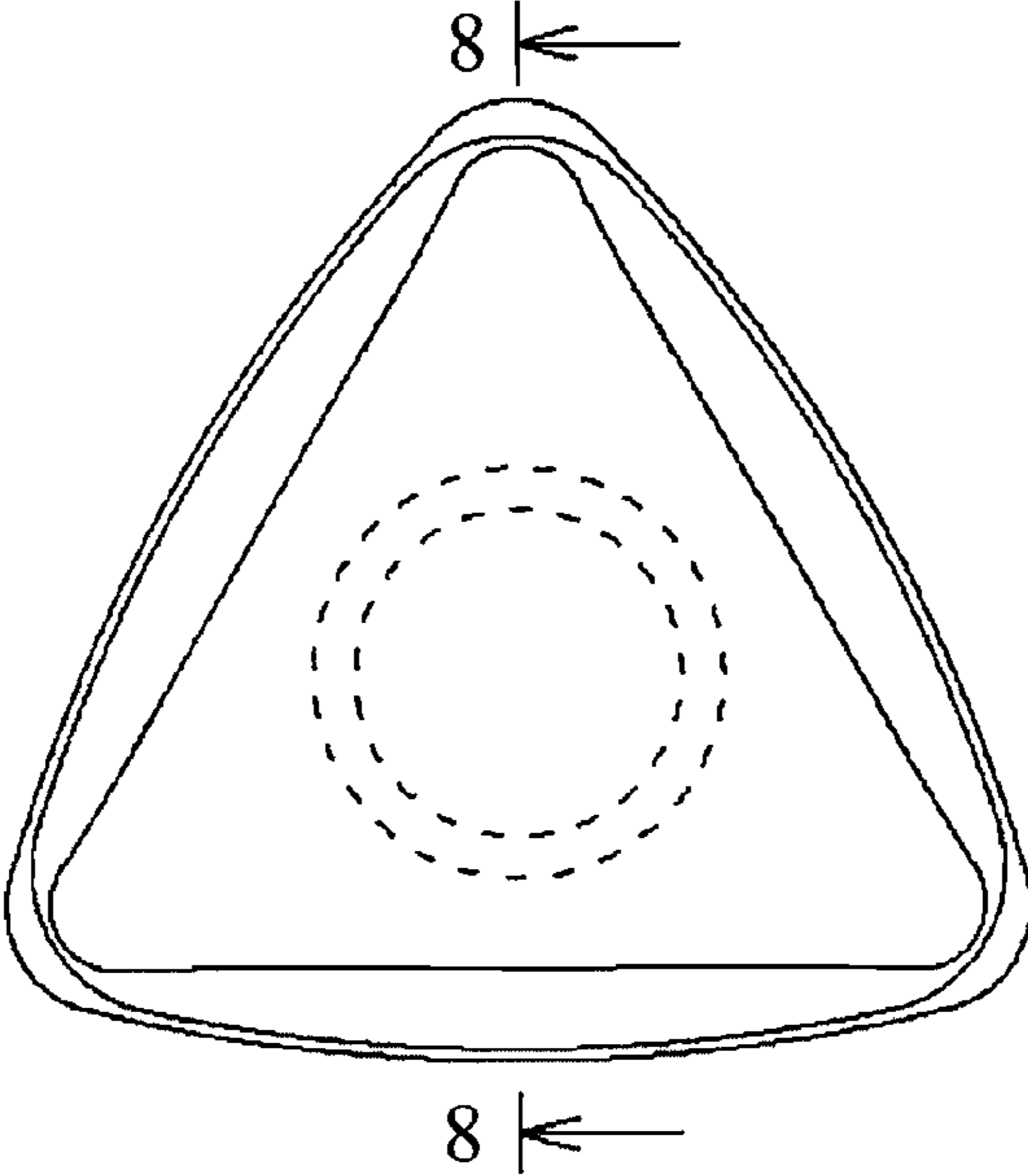


FIG. 3

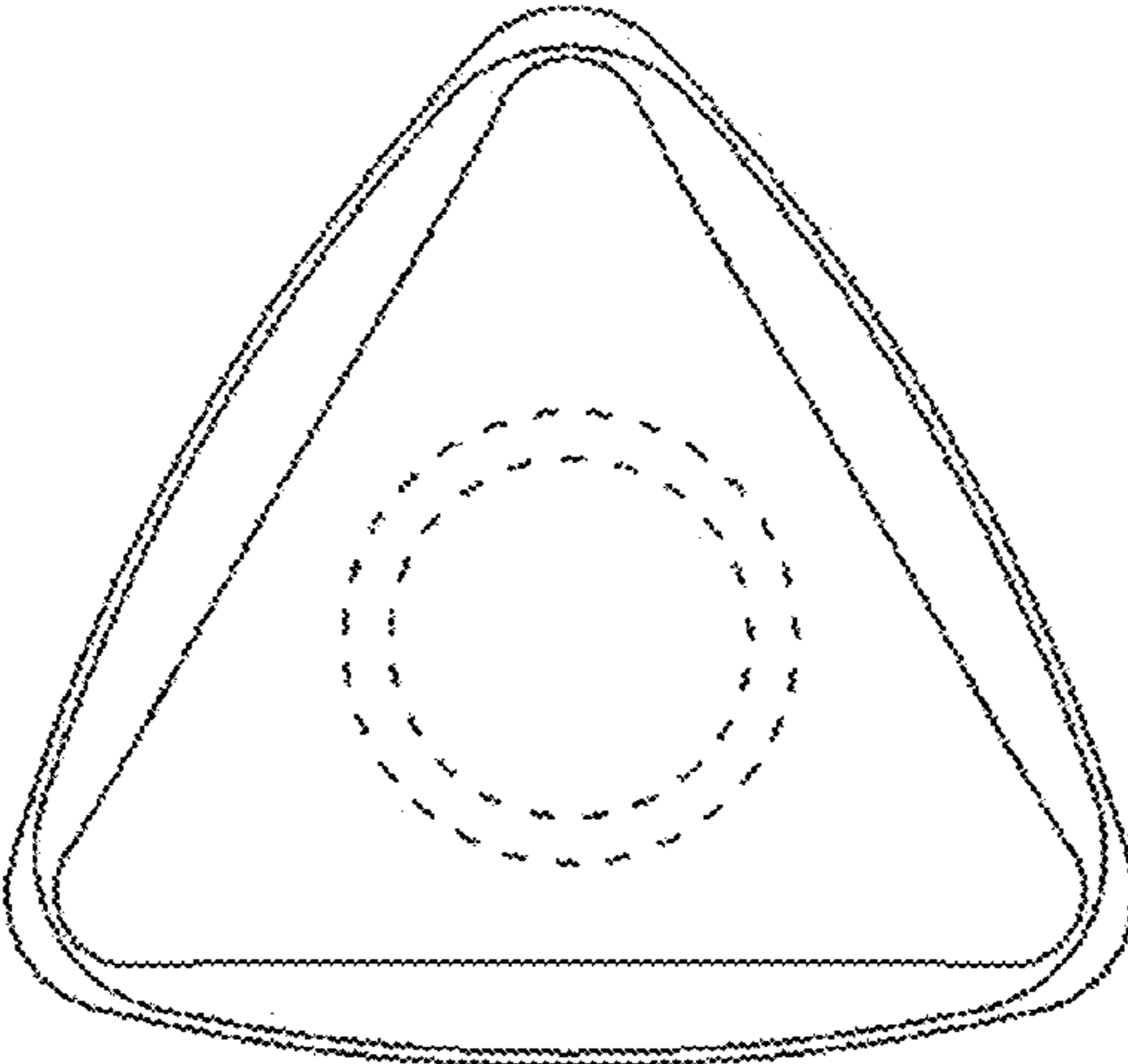


FIG. 4

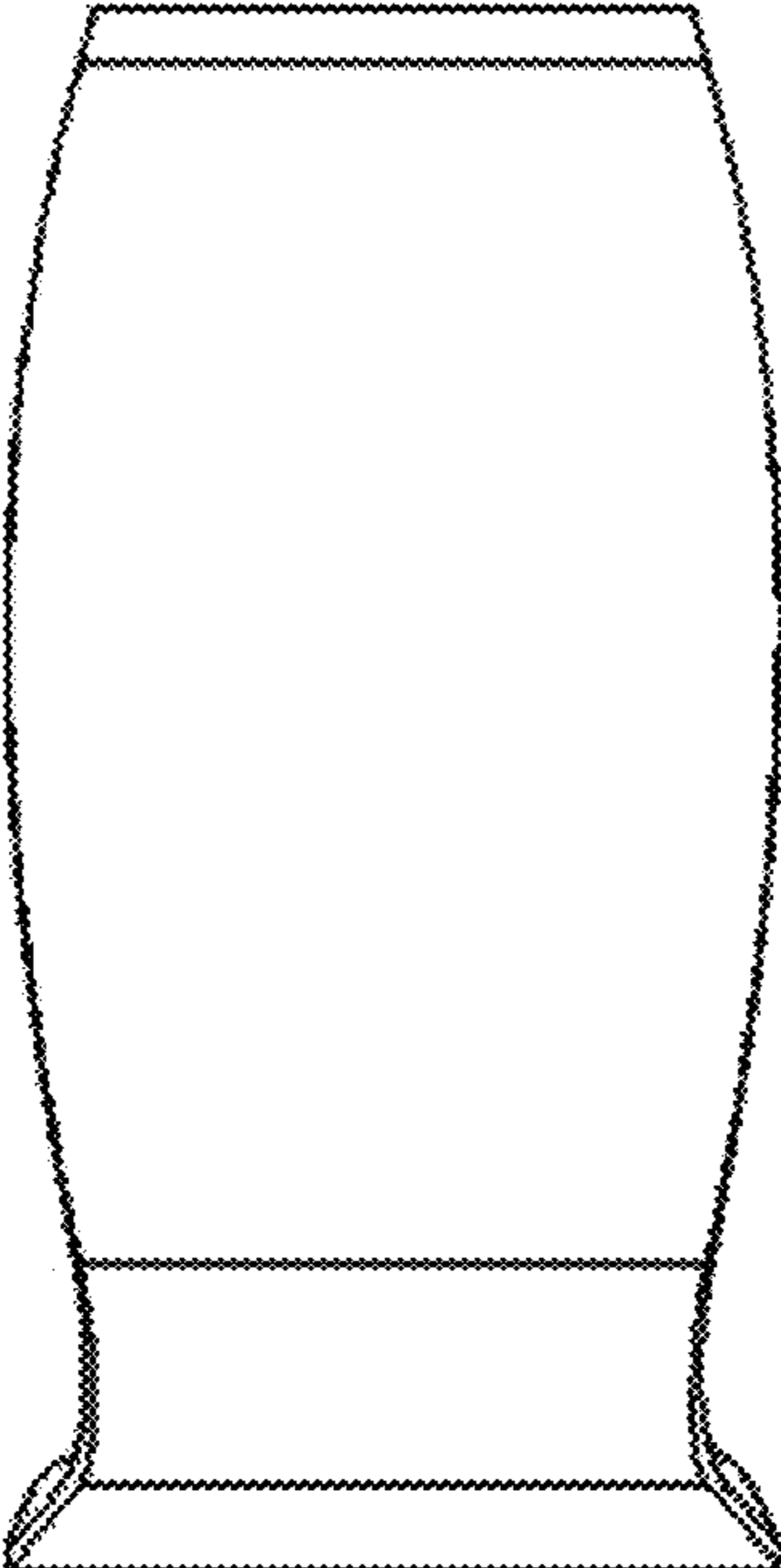


FIG. 5

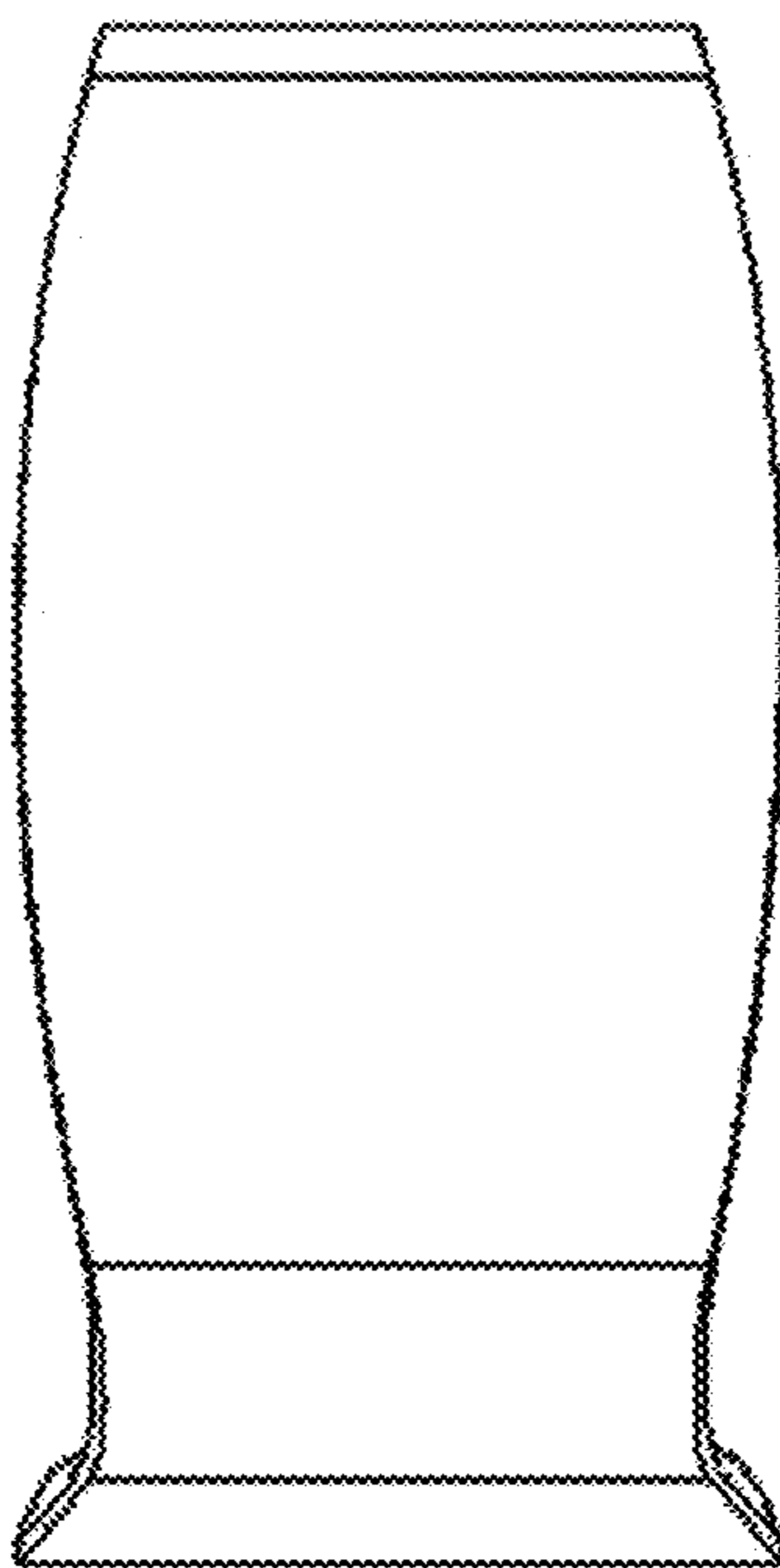


FIG. 6

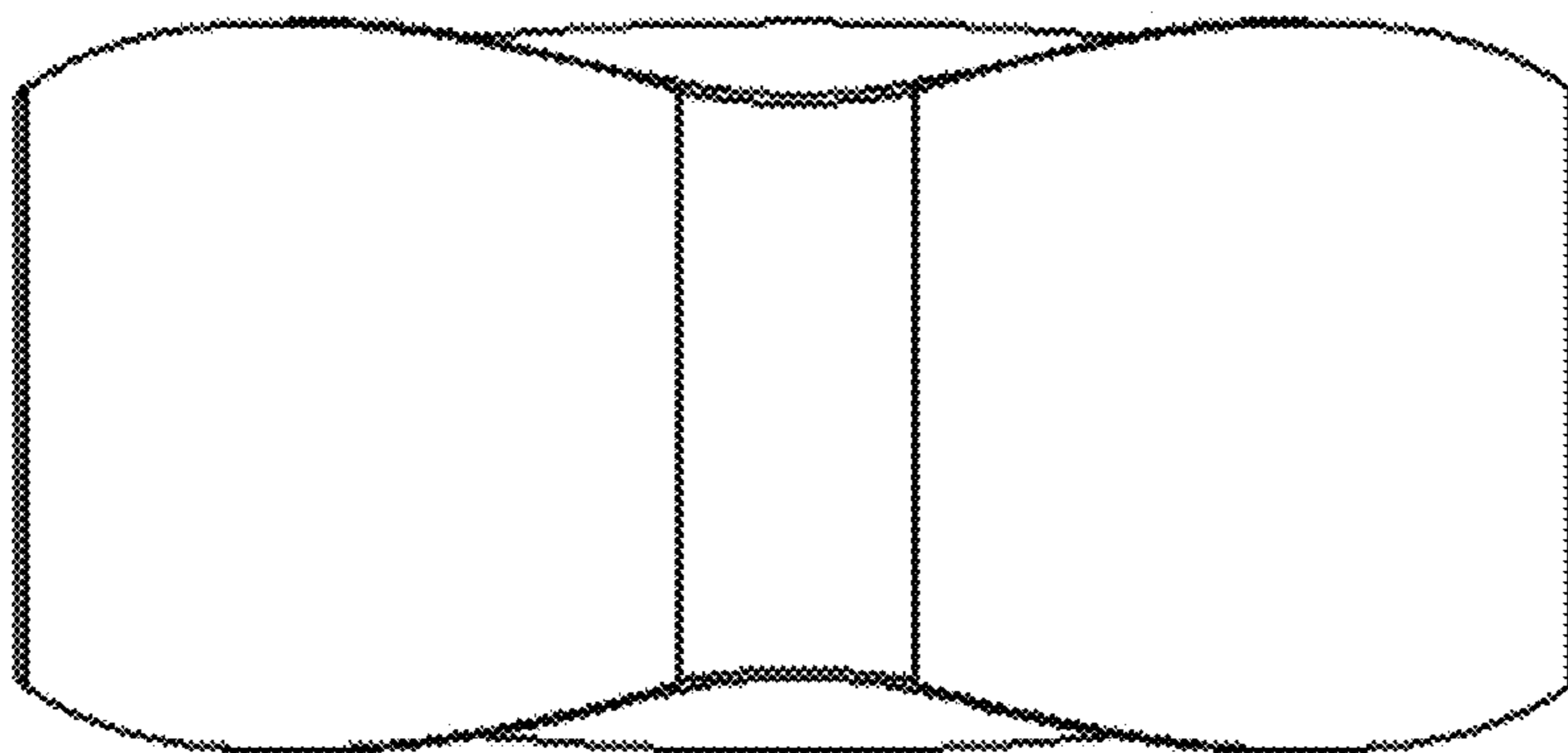


FIG. 7

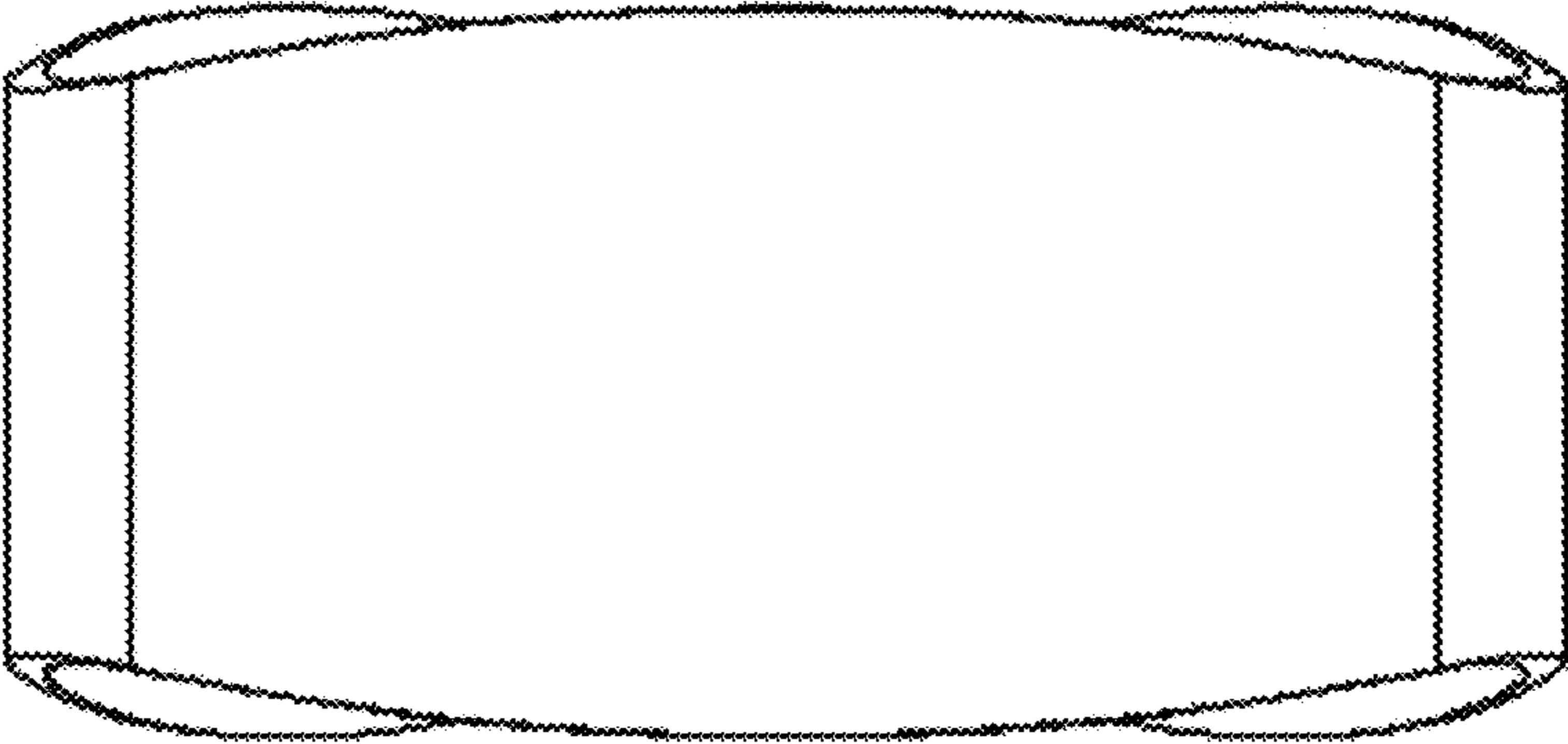


FIG. 8

