



US00D714841S

(12) **United States Design Patent**
Jeon et al.

(10) **Patent No.:** **US D714,841 S**
(45) **Date of Patent:** **** Oct. 7, 2014**

(54) **REFRIGERATOR TRAY**

(71) Applicant: **Samsung Electronics Co., Ltd.**,
Suwon-si (KR)

(72) Inventors: **Sang-Woon Jeon**, Namyangju-si (KR);
Min-Hyung Boo, Seoul (KR);
Jae-Moon Lee, Seoul (KR)

(73) Assignee: **Samsung Electronics Co., Ltd.** (KR)

(**) Term: **14 Years**

(21) Appl. No.: **29/460,381**

(22) Filed: **Jul. 10, 2013**

(30) **Foreign Application Priority Data**

Jan. 11, 2013 (KR) 30-2013-0001823

(51) **LOC (10) Cl.** **15-07**

(52) **U.S. Cl.**
USPC **D15/89**

(58) **Field of Classification Search**
USPC D15/79-89, 91; 62/3.6-3.64, 293, 331,
62/371, 440-446, 467, 382, 517, 265;
312/112-119, 236, 400-408; D3/304,
D3/313, 315; D7/550.1, 552.1,
D7/553.1-553.4, 555, 549, 701; D6/406.1,
D6/406.3, 336, 510
See application file for complete search history.

(56) **References Cited**

U.S. PATENT DOCUMENTS

3,218,111 A * 11/1965 Steiner 312/405.1
4,586,347 A * 5/1986 McCarty 62/265
5,209,082 A * 5/1993 Ha 62/265
6,055,823 A * 5/2000 Baker et al. 62/265
D449,624 S * 10/2001 Yu D15/81
7,108,342 B2 * 9/2006 Shin et al. 312/405

7,254,958 B2 * 8/2007 Kim et al. 62/265
7,318,633 B2 * 1/2008 Shin et al. 312/405
D601,596 S * 10/2009 Yoon et al. D15/85
D617,353 S * 6/2010 Jeon et al. D15/86
D629,022 S * 12/2010 Cho et al. D15/85
D631,491 S * 1/2011 Kristiansen et al. D15/86
7,967,403 B2 * 6/2011 Kim 312/405
D647,544 S * 10/2011 Kristiansen et al. D15/86
D656,967 S * 4/2012 Yi et al. D15/86
8,262,176 B2 * 9/2012 Lee 312/405.1
D674,414 S * 1/2013 Lee et al. D15/86
8,408,664 B2 * 4/2013 Park et al. 312/405
D691,644 S * 10/2013 Cho et al. D15/86
8,607,584 B2 * 12/2013 Song et al. 62/377

* cited by examiner

Primary Examiner — Mitchell Siegel

(74) *Attorney, Agent, or Firm* — Cantor Colburn LLP

(57) **CLAIM**

We claim, the ornamental design for a refrigerator tray, as shown and described.

DESCRIPTION

FIG. 1 is a perspective view of a refrigerator tray, showing our new design in an exemplary embodiment;
FIG. 2 is a front elevation view thereof;
FIG. 3 is a rear elevation view thereof;
FIG. 4 is a side elevation view thereof;
FIG. 5 is a another side elevation view thereof;
FIG. 6 is a top plan view thereof;
FIG. 7 is a bottom plan view thereof;
FIG. 8 is a perspective view thereof configured in a second position; and,
FIG. 9 is a perspective view thereof shown in a refrigerator environment.

The broken-line disclosure in the views is generally understood to form part of the environment in which the claimed design is embodied and to form no part of the claimed design.

1 Claim, 6 Drawing Sheets

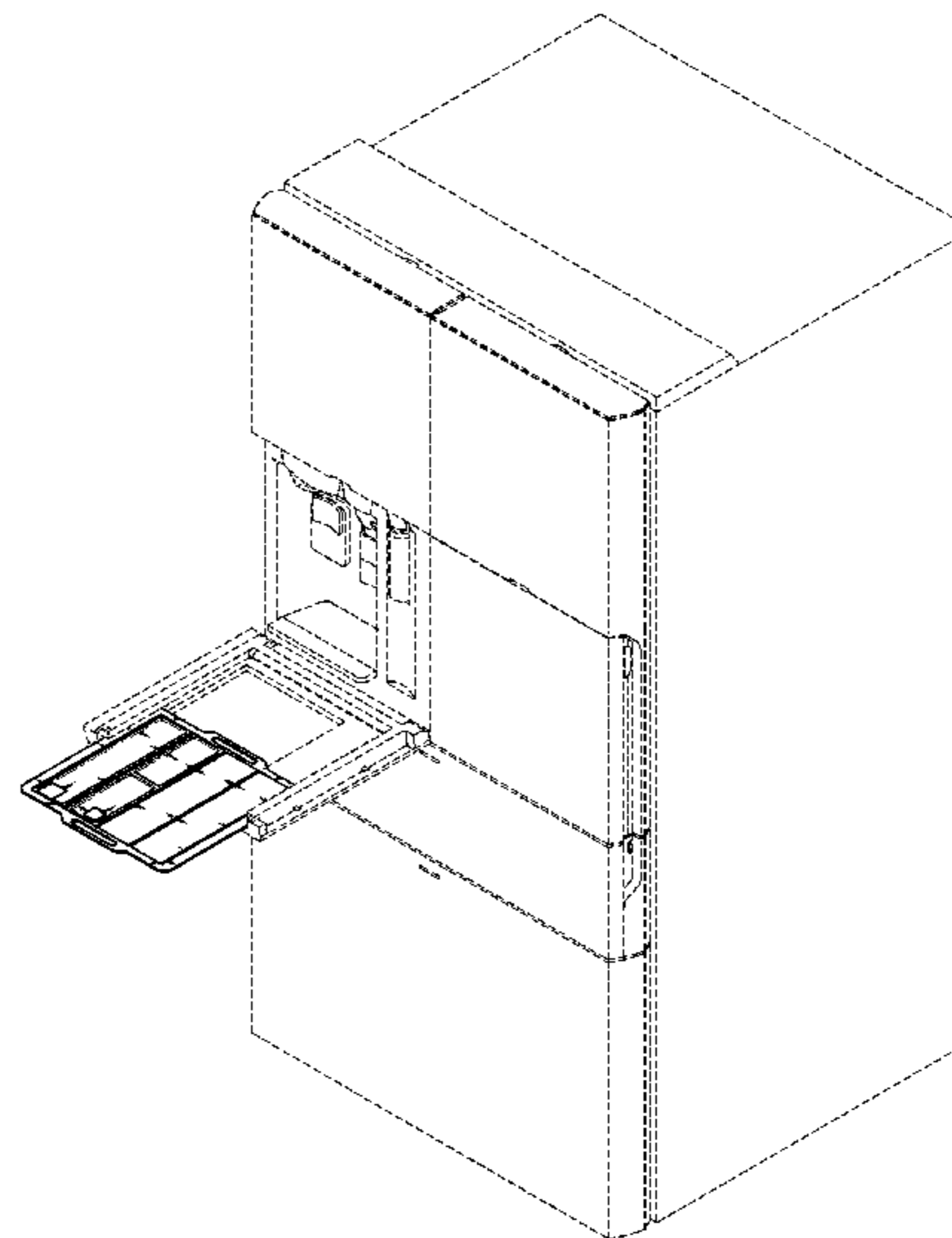
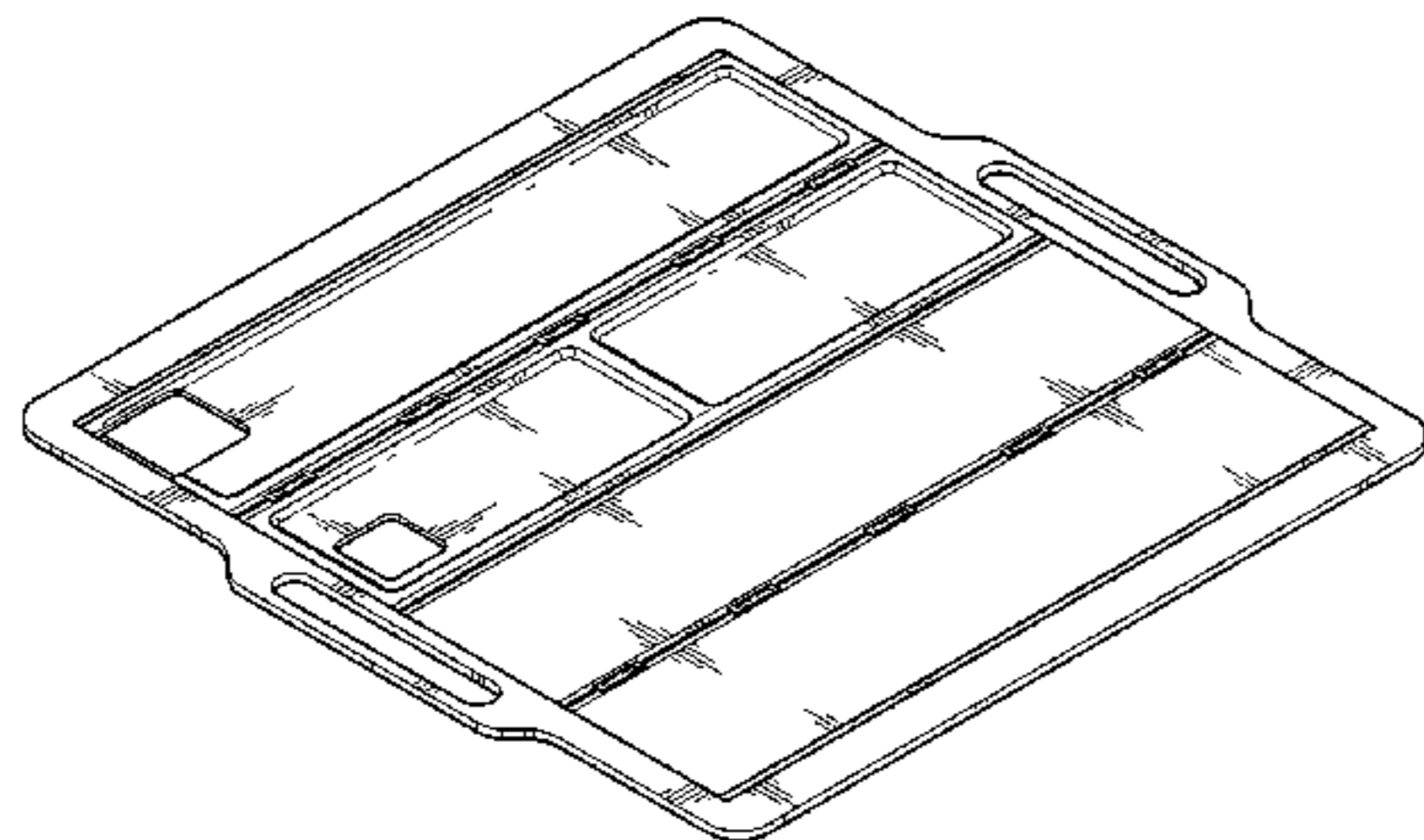


FIG. 1

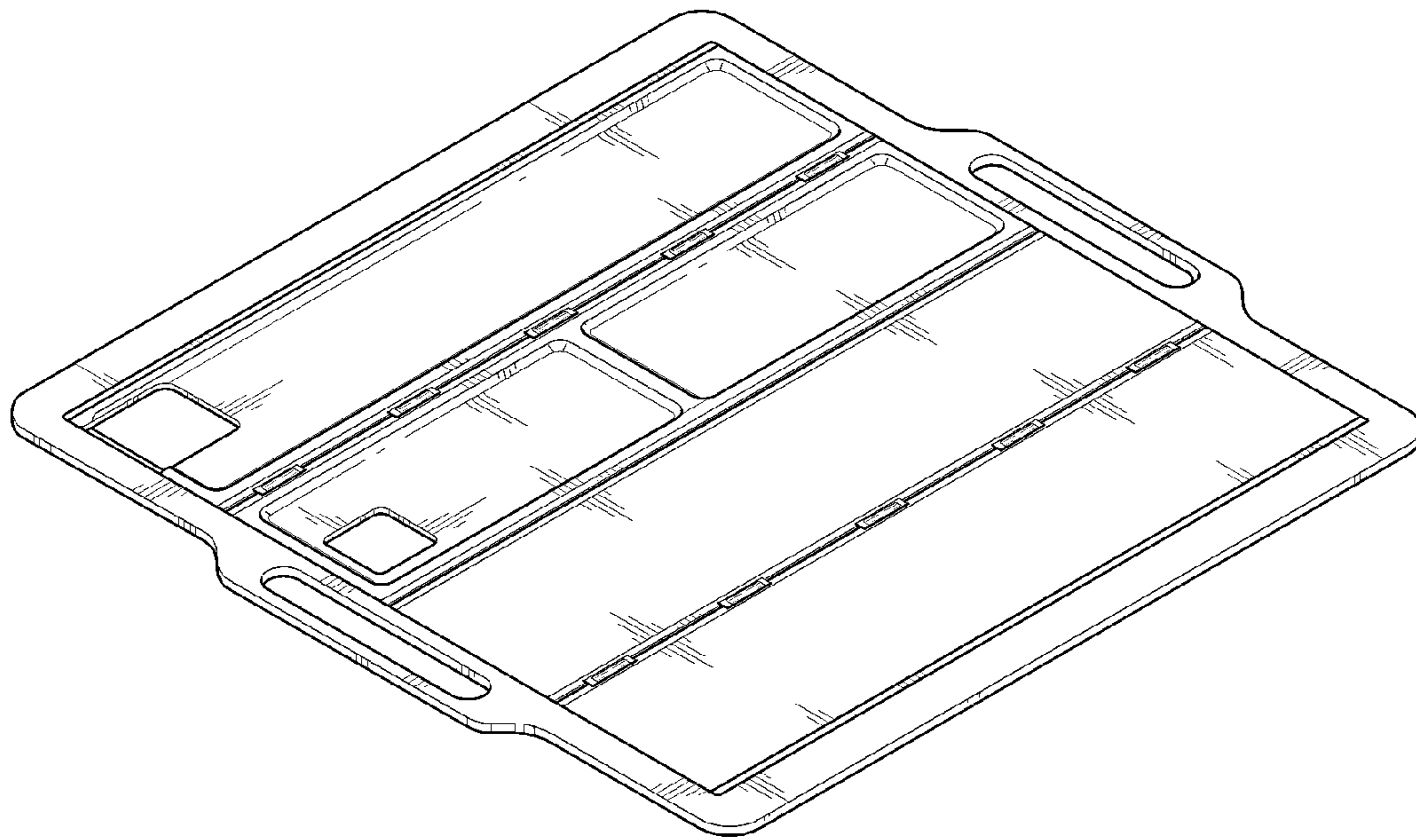


FIG. 2

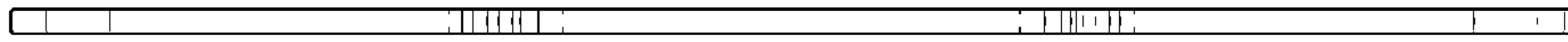


FIG. 3

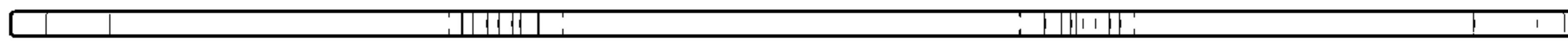


FIG. 4

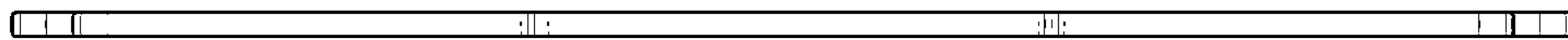


FIG. 5



FIG. 6

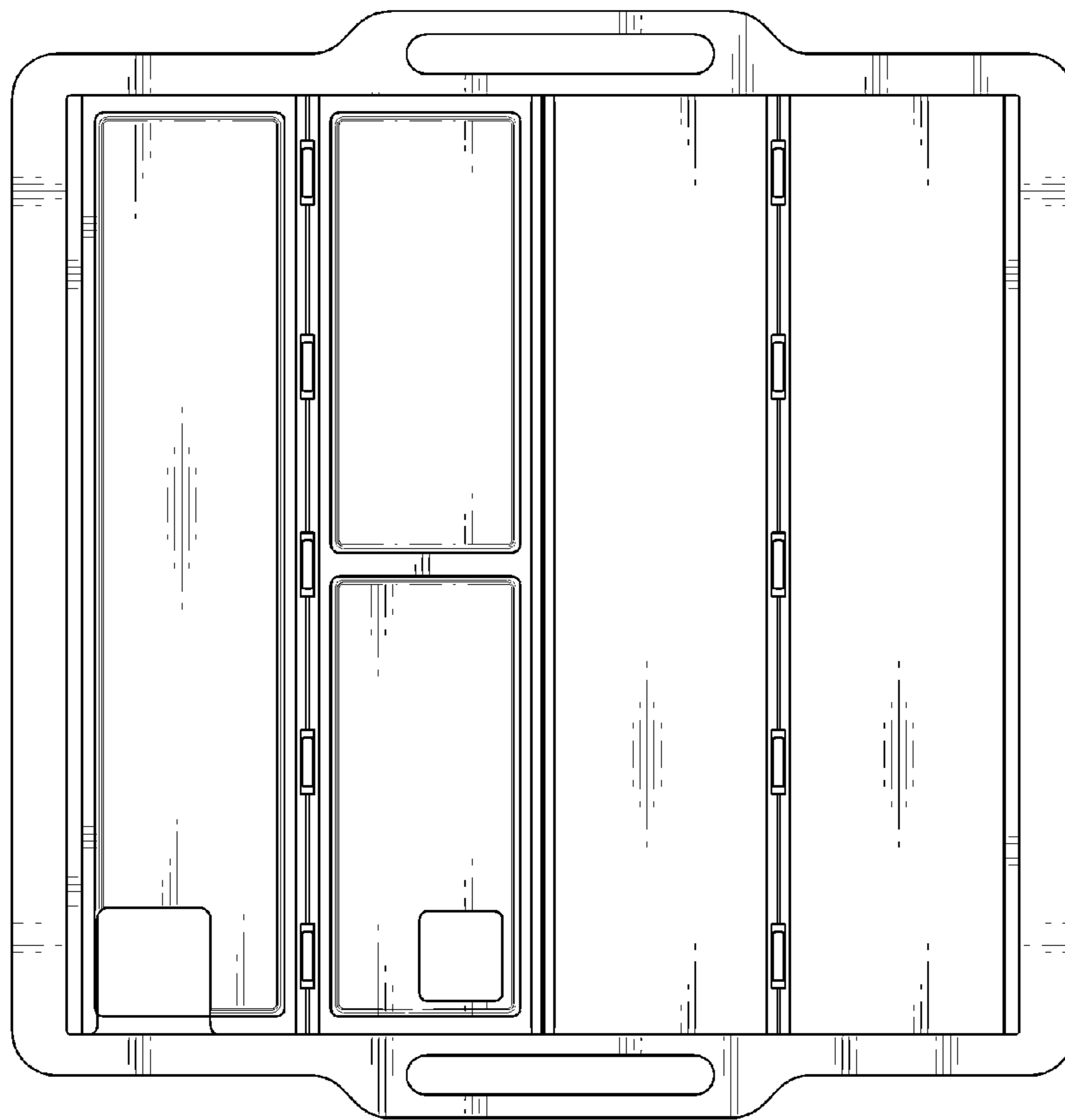


FIG. 7

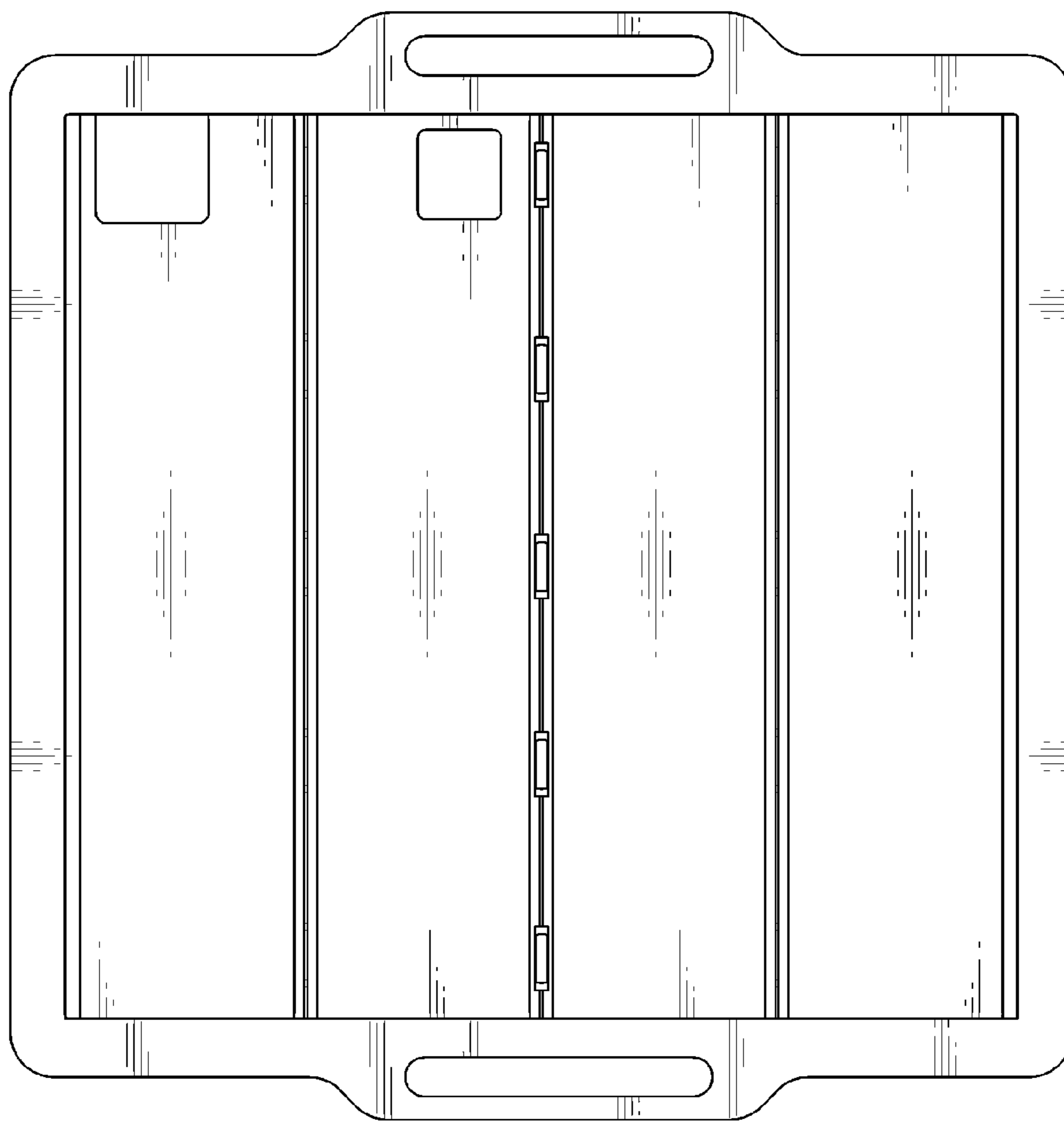


FIG. 8

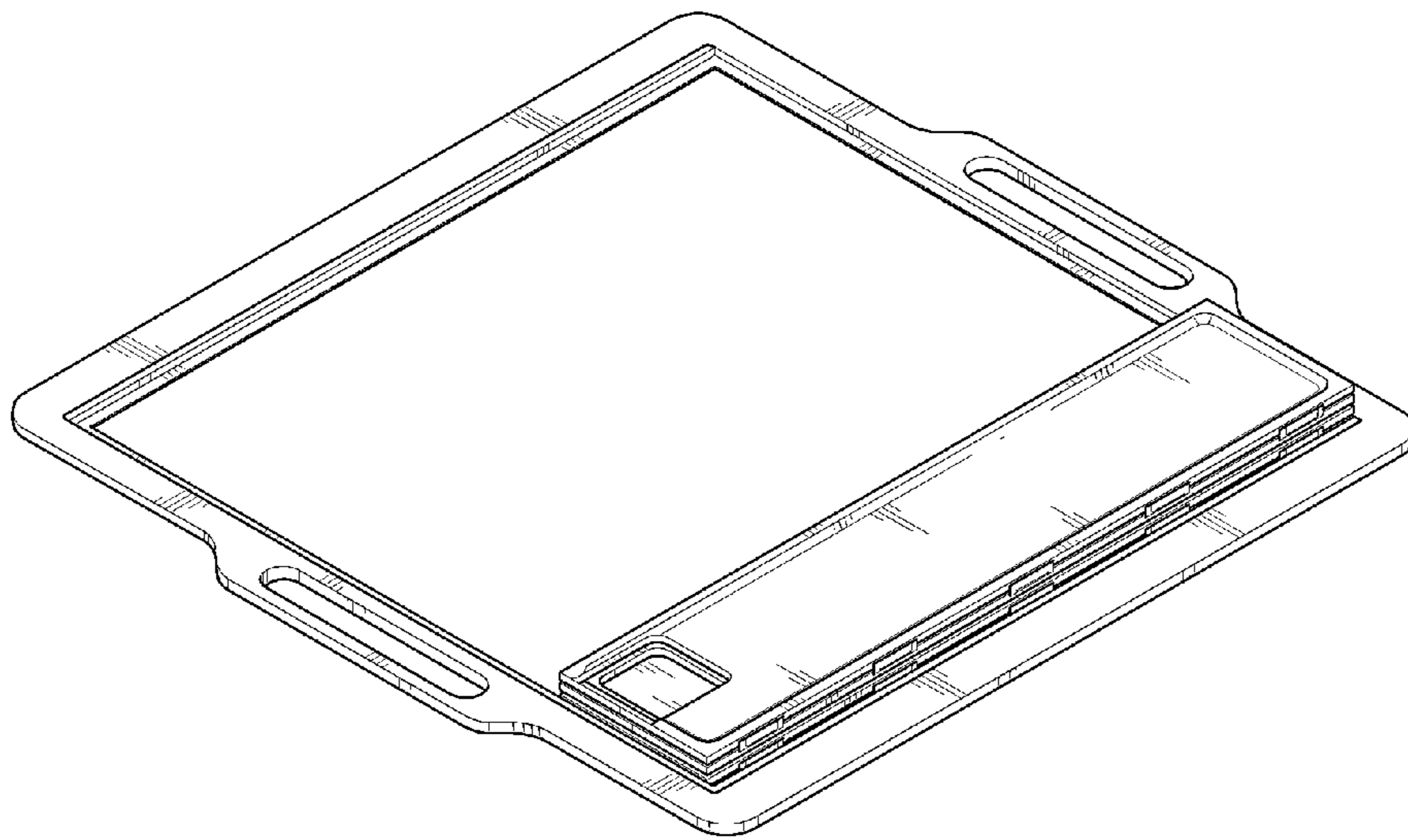


FIG. 9

