



US00D714840S

(12) **United States Design Patent**
Yang et al.

(10) **Patent No.:** **US D714,840 S**

(45) **Date of Patent:** **** Oct. 7, 2014**

(54) **TRAY**

(56) **References Cited**

(71) Applicant: **Samsung Electronics Co., Ltd.**,
Suwon-Si (KR)

(72) Inventors: **Yunho Yang**, Yongin-si (KR); **Seyoun Park**, Incheon-si (KR); **Jang-Won Kim**,
Seoul (KR); **Hyun Il Lee**, Seoul (KP)

(73) Assignee: **Samsung Electronics Co., Ltd.**,
Gyeonggi-do (KR)

U.S. PATENT DOCUMENTS

D106,419 S *	10/1937	Barber	D15/89
D230,114 S *	1/1974	Jennee	D6/510
D249,009 S *	8/1978	Grove et al.	D7/407
D292,516 S *	10/1987	Wolff	D15/89
D375,856 S *	11/1996	Martin	D6/511
D484,150 S *	12/2003	Becke	D15/89
D513,017 S *	12/2005	Grobleben	D15/89
D513,757 S *	1/2006	Grobleben	D15/89
D514,136 S *	1/2006	Becke	D15/81
D515,114 S *	2/2006	Grobleben	D15/89
D519,133 S *	4/2006	Chang	D15/81
D618,258 S *	6/2010	Chen et al.	D15/81
D634,339 S *	3/2011	Chen et al.	D15/81

(**) Term: **14 Years**

* cited by examiner

(21) Appl. No.: **29/454,241**

Primary Examiner — Mitchell Siegel

(22) Filed: **May 8, 2013**

(74) *Attorney, Agent, or Firm* — Harness, Dickey & Pierce,
P.L.C.

(30) **Foreign Application Priority Data**

(57) **CLAIM**

The ornamental design for a tray, as shown and described.

Nov. 13, 2012 (KR) 30-2012-0054237

DESCRIPTION

(51) **LOC (10) Cl.** **15-07**

(52) **U.S. Cl.**
USPC **D15/89**

(58) **Field of Classification Search**
USPC D15/79-89; 62/3.1-3.64, 389-400,
62/440, 441, 467, 531, 265, 246-255, 293,
62/125, 127; 312/236, 352, 400-408, 116,
312/139.2; D6/510, 511; D7/550.1-554.4

FIG. 1 is the front/right-side/top perspective view of a tray showing our new design;
FIG. 2 is the front elevational view thereof;
FIG. 3 is the rear elevational view thereof;
FIG. 4 is the left-side elevational view thereof;
FIG. 5 is the right-side elevational view thereof;
FIG. 6 is the top-side plan view thereof;
FIG. 7 is the bottom-side plan view thereof; and,
FIG. 8 is a reduced front/left-side/top perspective view thereof. The broken lines shown in the drawings represent unclaimed portions of refrigerator.

See application file for complete search history.

1 Claim, 6 Drawing Sheets

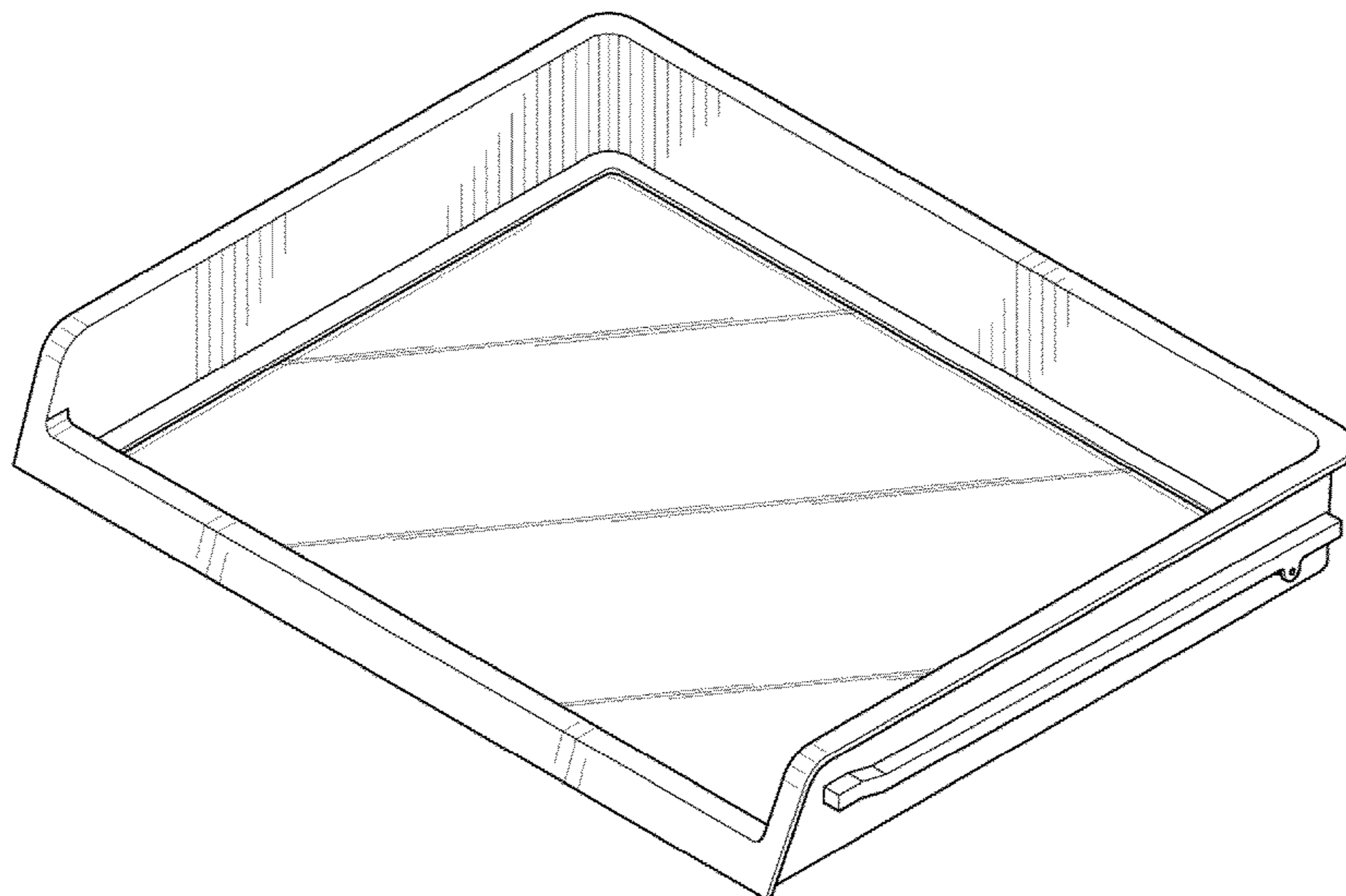


FIG. 1

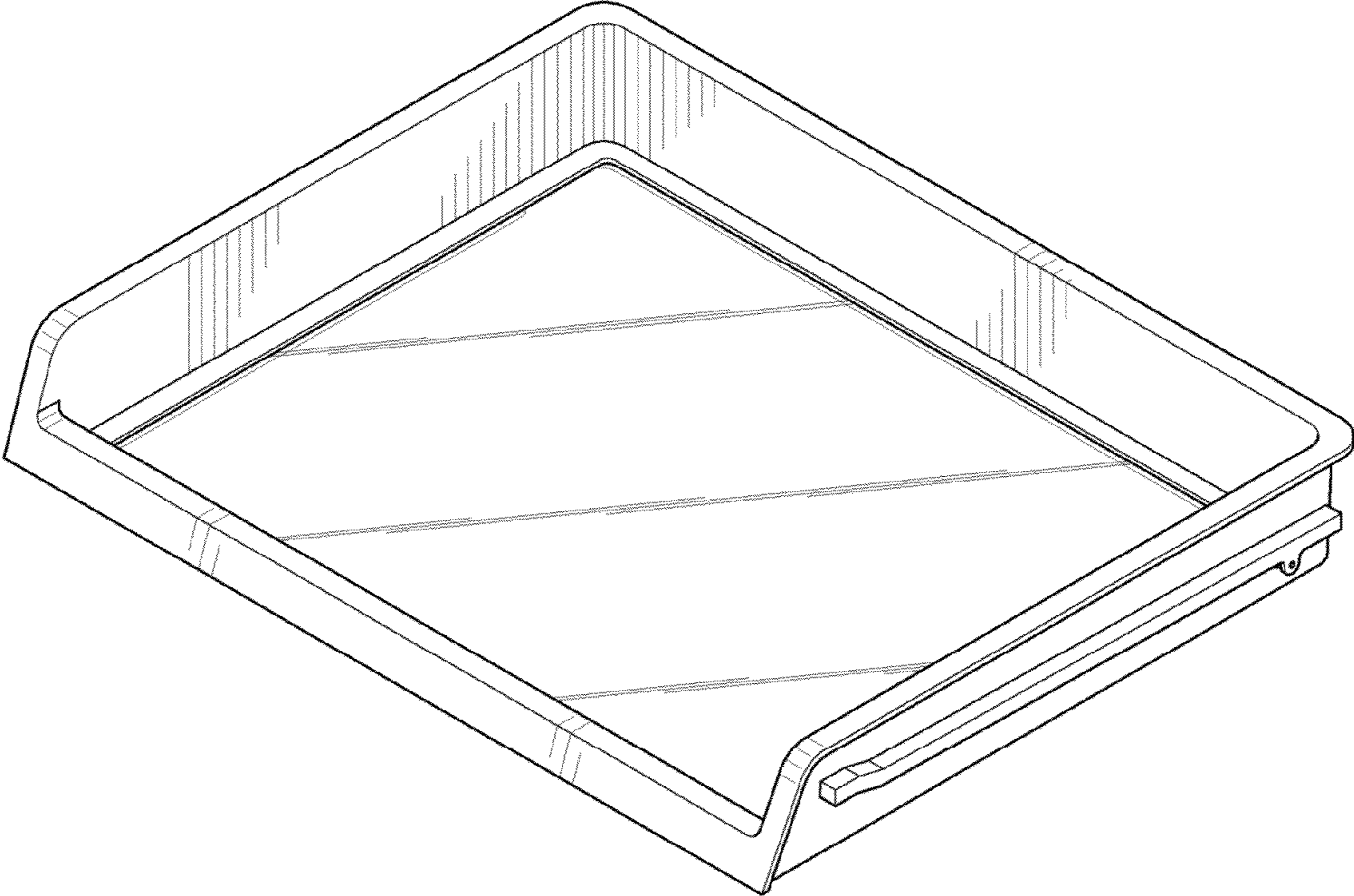


FIG. 2

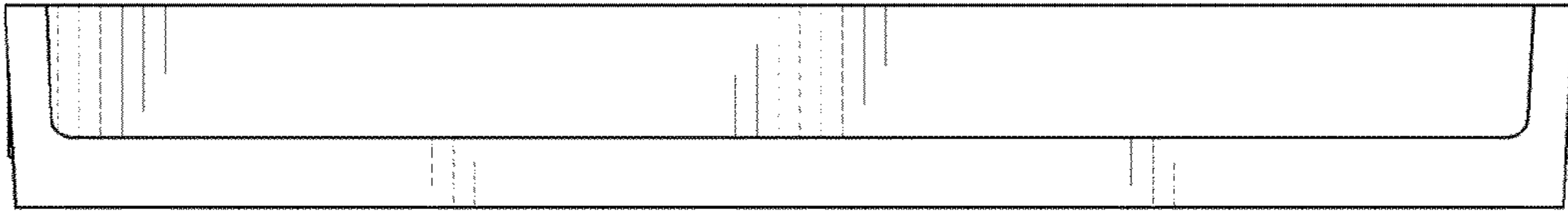


FIG. 3

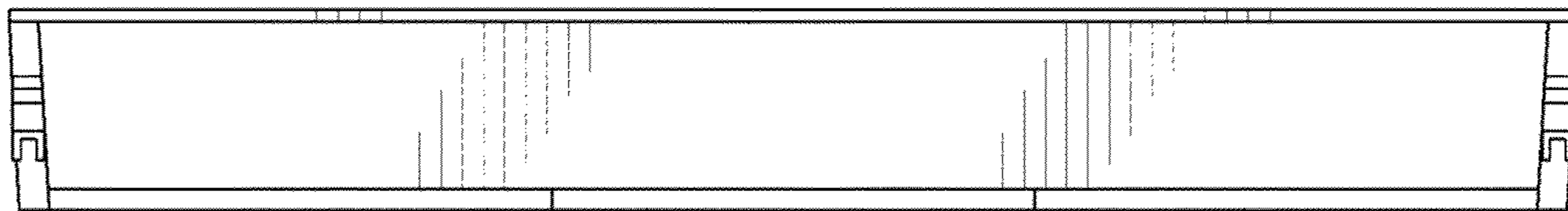


FIG. 4

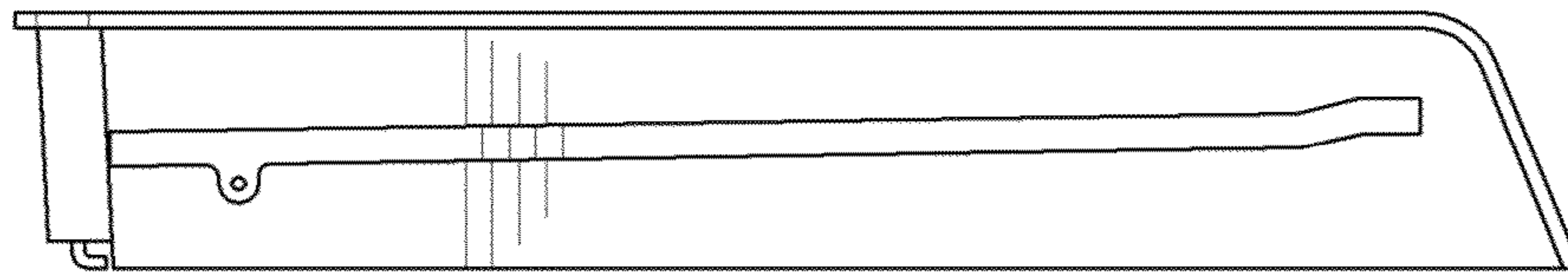


FIG. 5

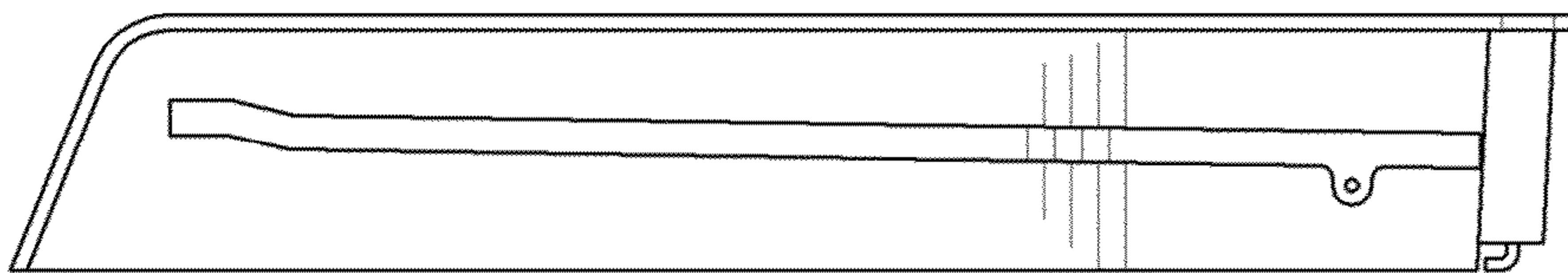


FIG. 6

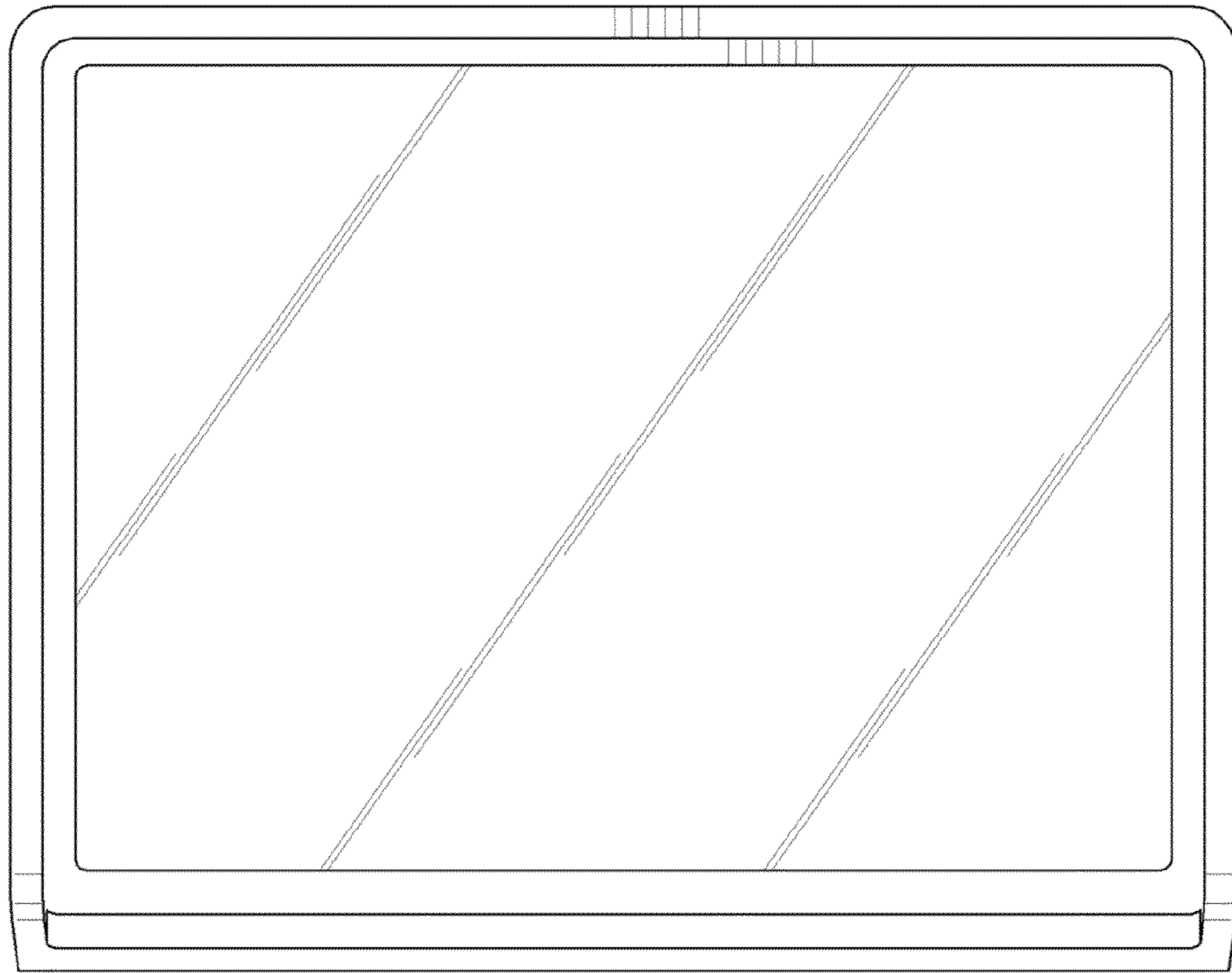


FIG. 7

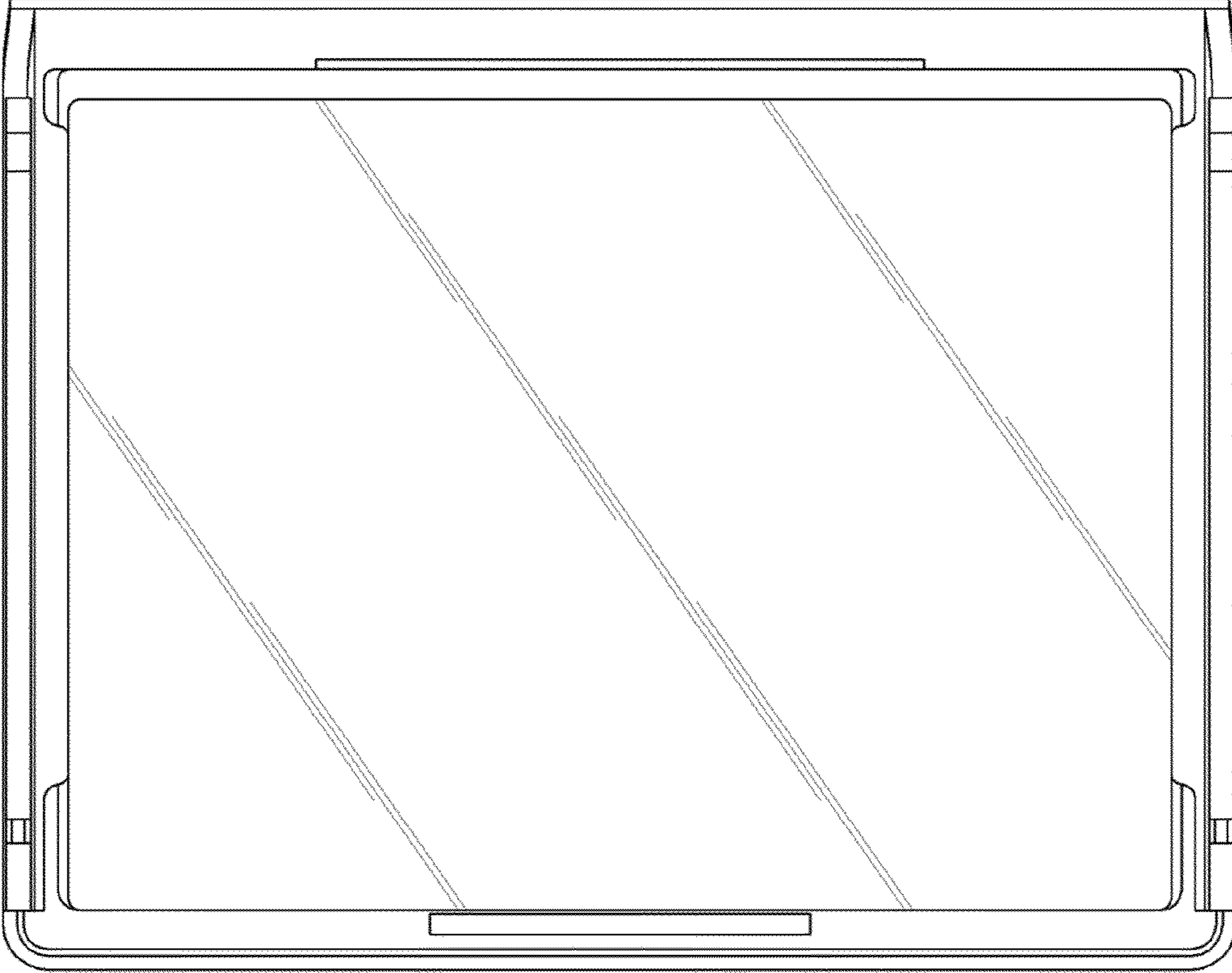


FIG. 8

