



US00D714837S

(12) **United States Design Patent**
Jacobsthal et al.

(10) **Patent No.:** **US D714,837 S**

(45) **Date of Patent:** **** Oct. 7, 2014**

(54) **WORK VEHICLE CAB**

(71) Applicant: **CNH America LLC**, New Holland, PA (US)

(72) Inventors: **Eric M. Jacobsthal**, Elmhurst, IL (US);
Russell Meyer, Crystal Lake, IL (US);
Dwayne St. George Jackson, Plainfield, IL (US); **William Venth**, Chicago, IL (US); **Jonathan Eziquiel-Shriro**, Chicago, IL (US)

(73) Assignee: **CNH Industrial America LLC**, New Holland, PA (US)

(**) Term: **14 Years**

(21) Appl. No.: **29/483,594**

(22) Filed: **Feb. 28, 2014**

(51) **LOC (10) Cl.** **15-03**

(52) **U.S. Cl.**
USPC **D15/30**

(58) **Field of Classification Search**
USPC D15/10, 22-26, 28, 30, 31; 180/89.11,
180/89.12, 89.13, 89.19, 900; 296/190.01,
296/190.08, 210, 190, 202
See application file for complete search history.

(56) **References Cited**

U.S. PATENT DOCUMENTS

D249,523 S * 9/1978 Segales D15/30
D306,450 S * 3/1990 Funabashi et al. D15/30

D479,536 S * 9/2003 Dahl et al. D15/30
D481,398 S * 10/2003 Tokach et al. D15/30
D487,100 S * 2/2004 Tokach et al. D15/30
D507,281 S * 7/2005 Komatsu et al. D15/30
D507,800 S * 7/2005 Kuwae et al. D15/30
D536,710 S * 2/2007 Fenzl D15/30
D537,089 S * 2/2007 Fenzl D15/30
D553,160 S * 10/2007 Jones et al. D15/30
D607,903 S * 1/2010 Selmececi et al. D15/30

* cited by examiner

Primary Examiner — Mark Goodwin

(74) *Attorney, Agent, or Firm* — Patrick M. Sheldrake;
Seyed V. Sharifi T.

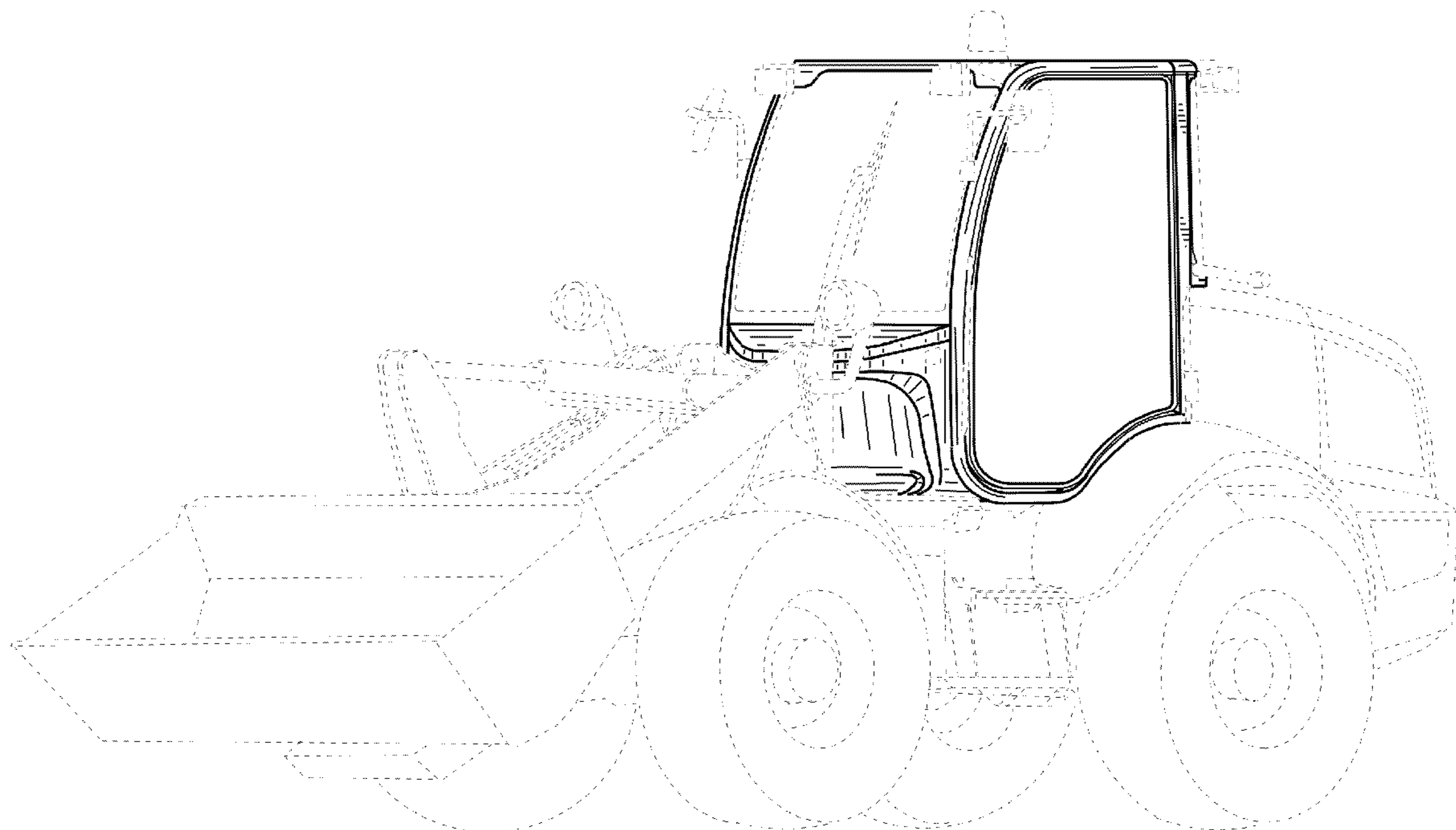
(57) **CLAIM**

We claim the ornamental design for the work vehicle cab, as shown and described.

DESCRIPTION

FIG. 1 is a front perspective view of a work vehicle cab showing our new design;
FIG. 2 is a side perspective view thereof;
FIG. 3 is a side view thereof;
FIG. 4 is an opposite side view thereof;
FIG. 5 is a front view thereof;
FIG. 6 is a rear view thereof;
FIG. 7 is a top view thereof; and,
FIG. 8 is a bottom view thereof.
The broken line showing of a work vehicle is included for the purpose of illustrating environmental structure only and forms no part of the claimed design.

1 Claim, 5 Drawing Sheets



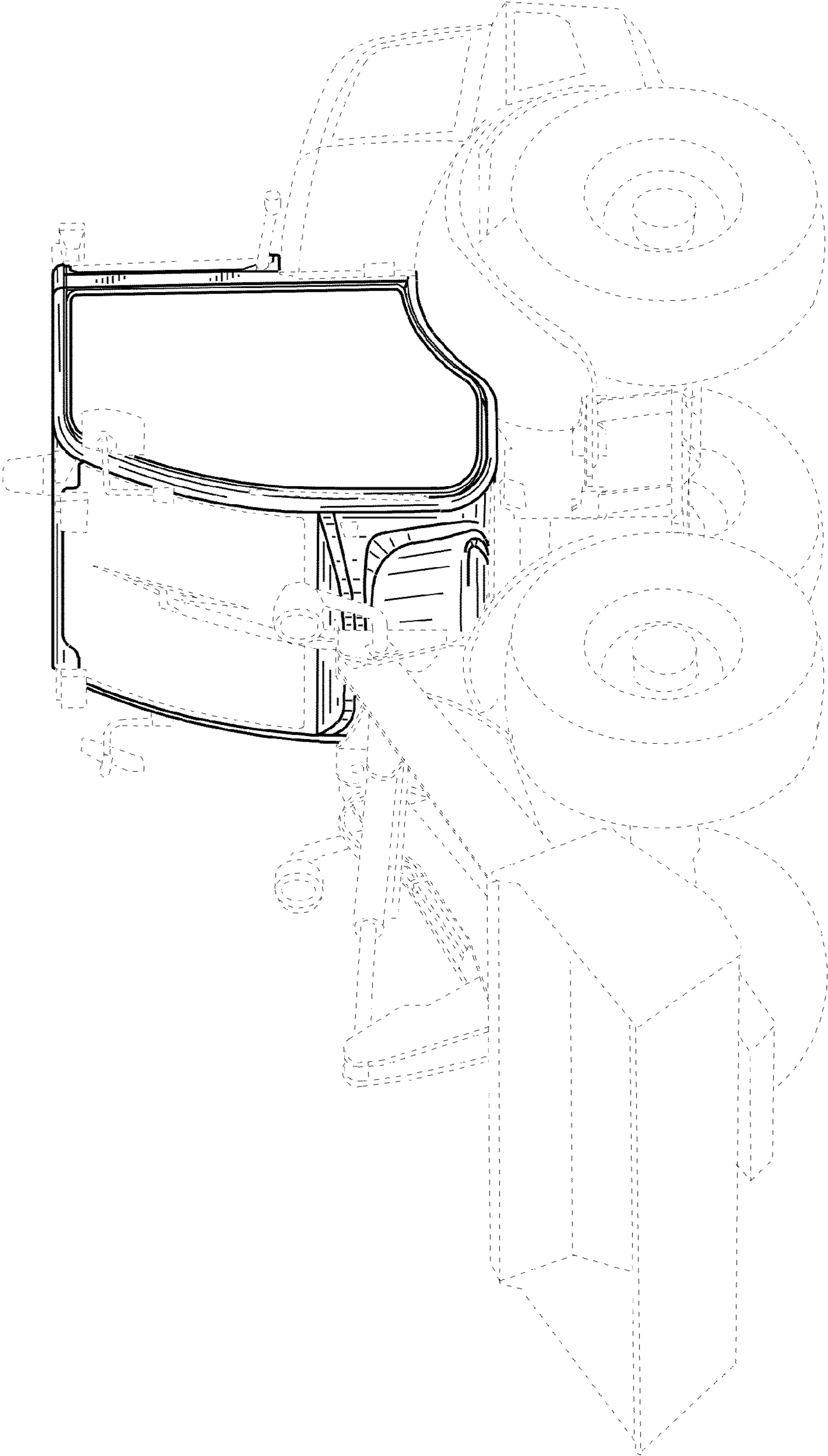


FIG. 1

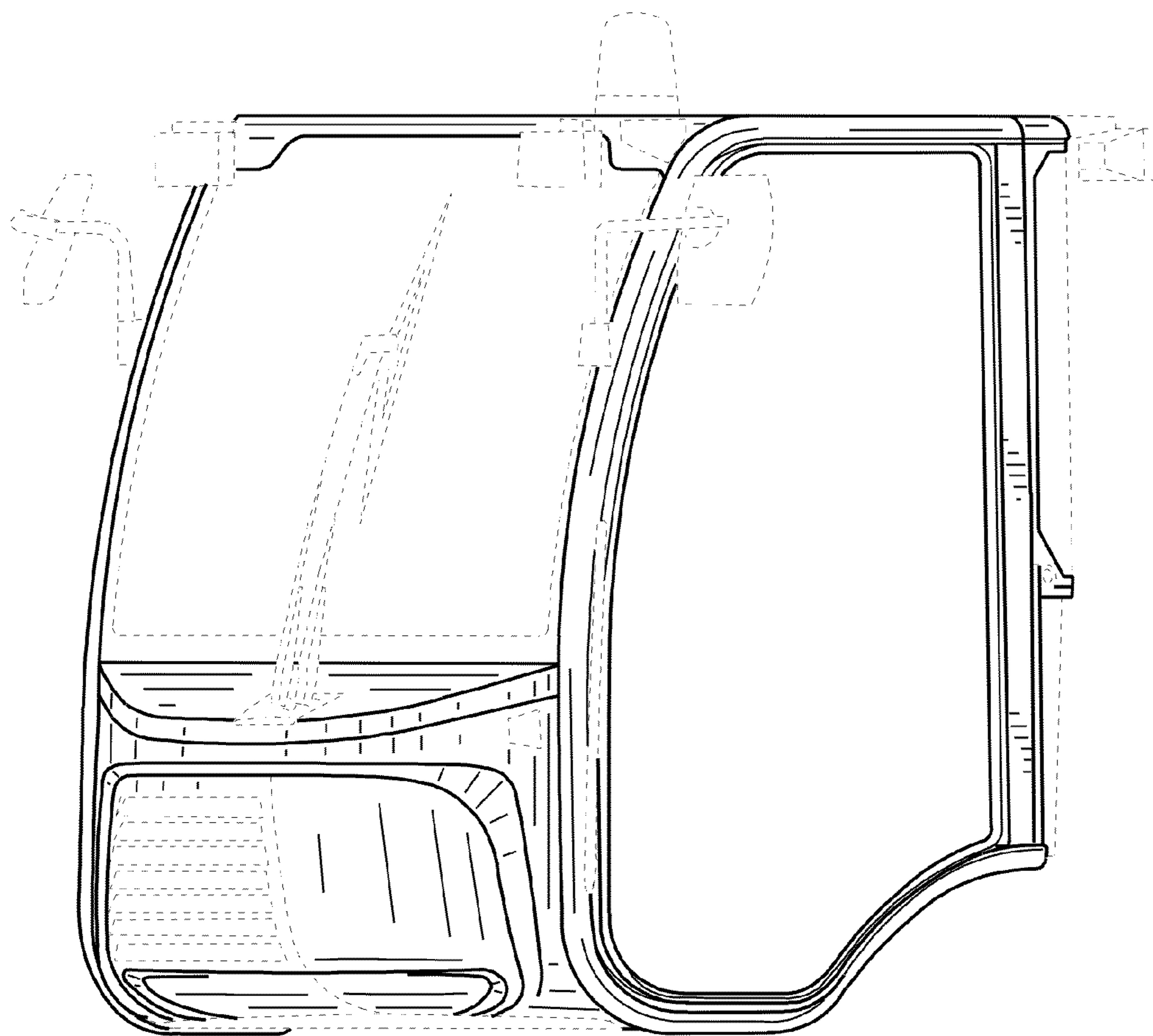


FIG. 2

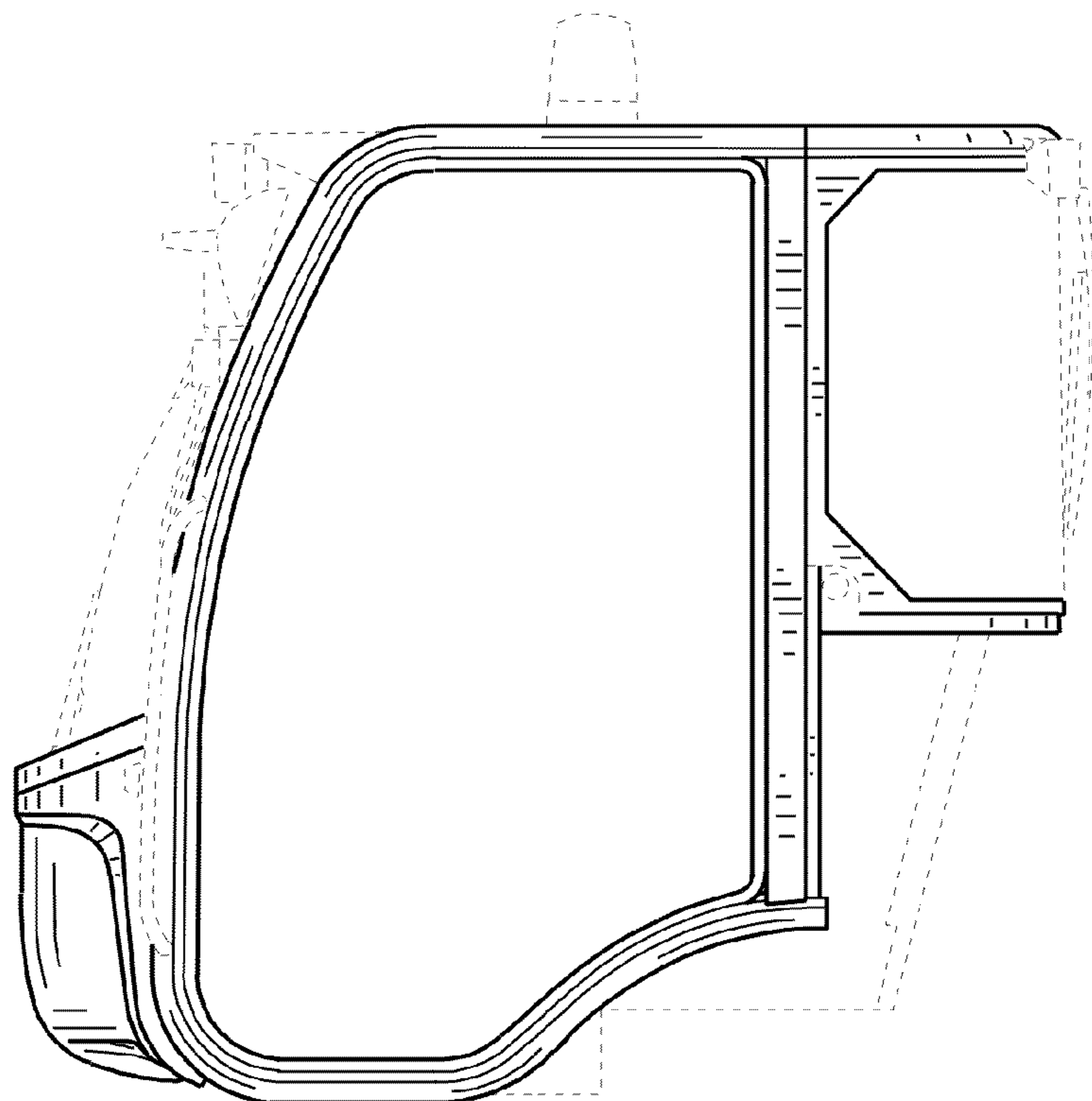


FIG. 3

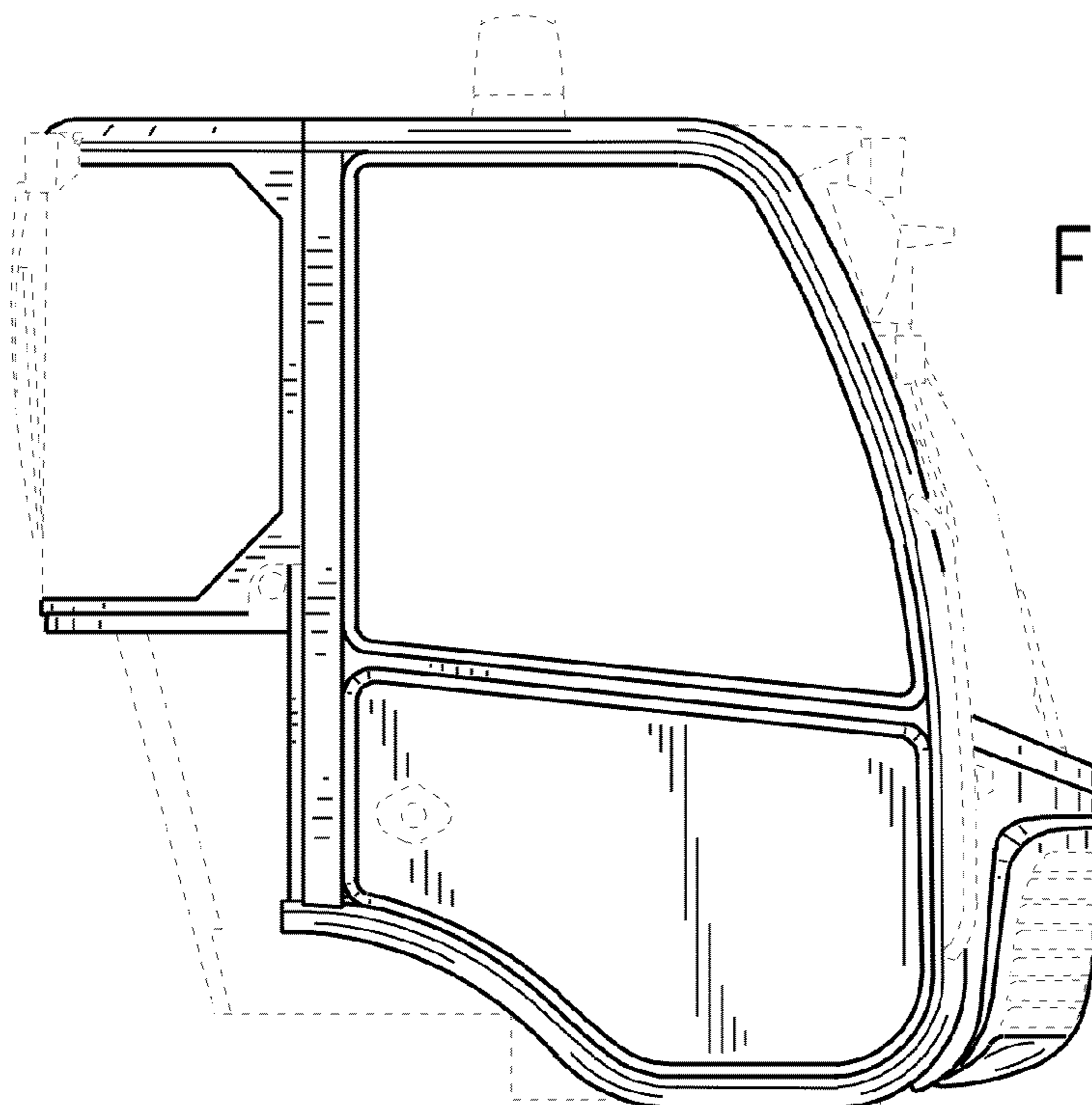


FIG. 4

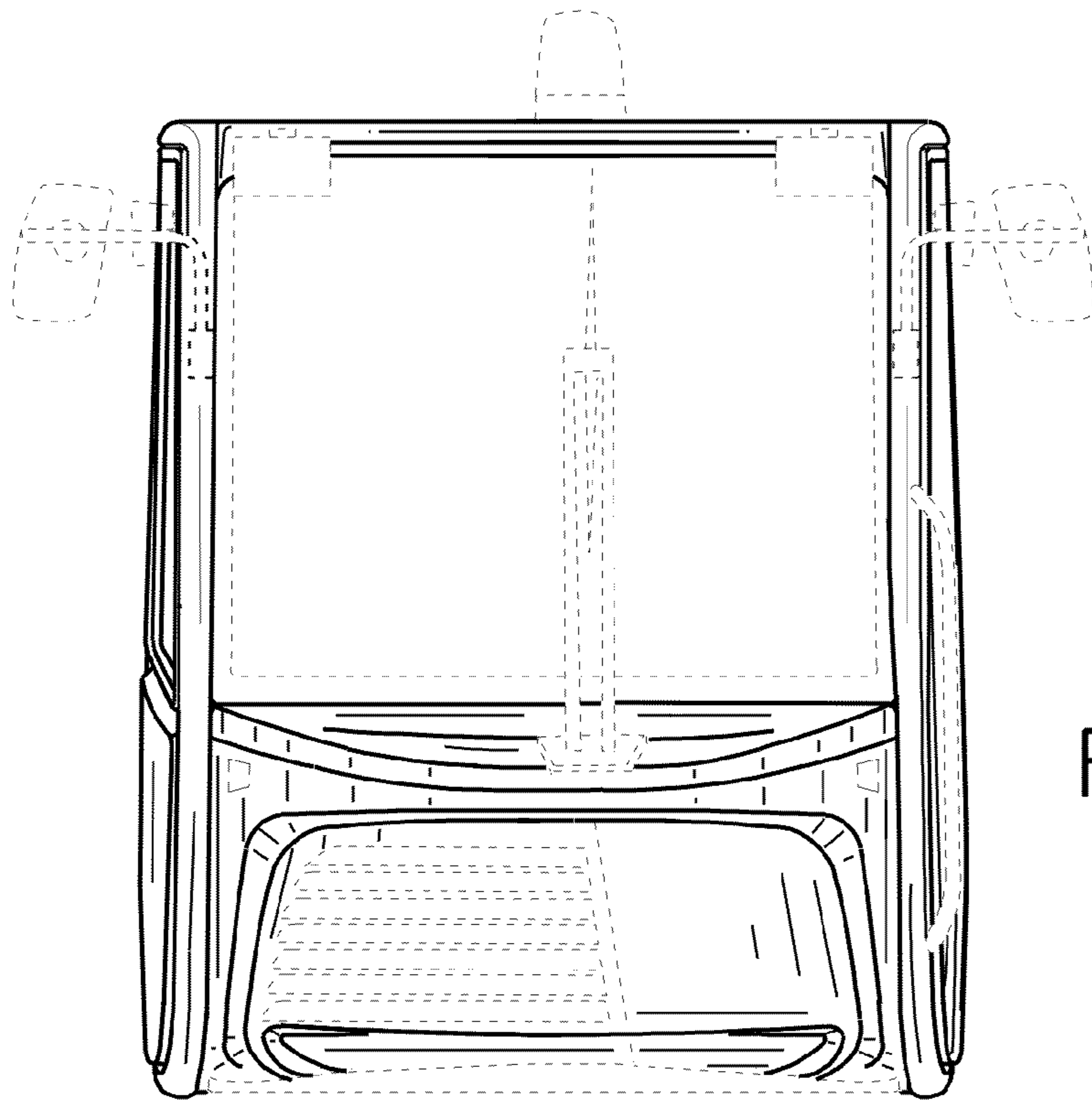


FIG. 5

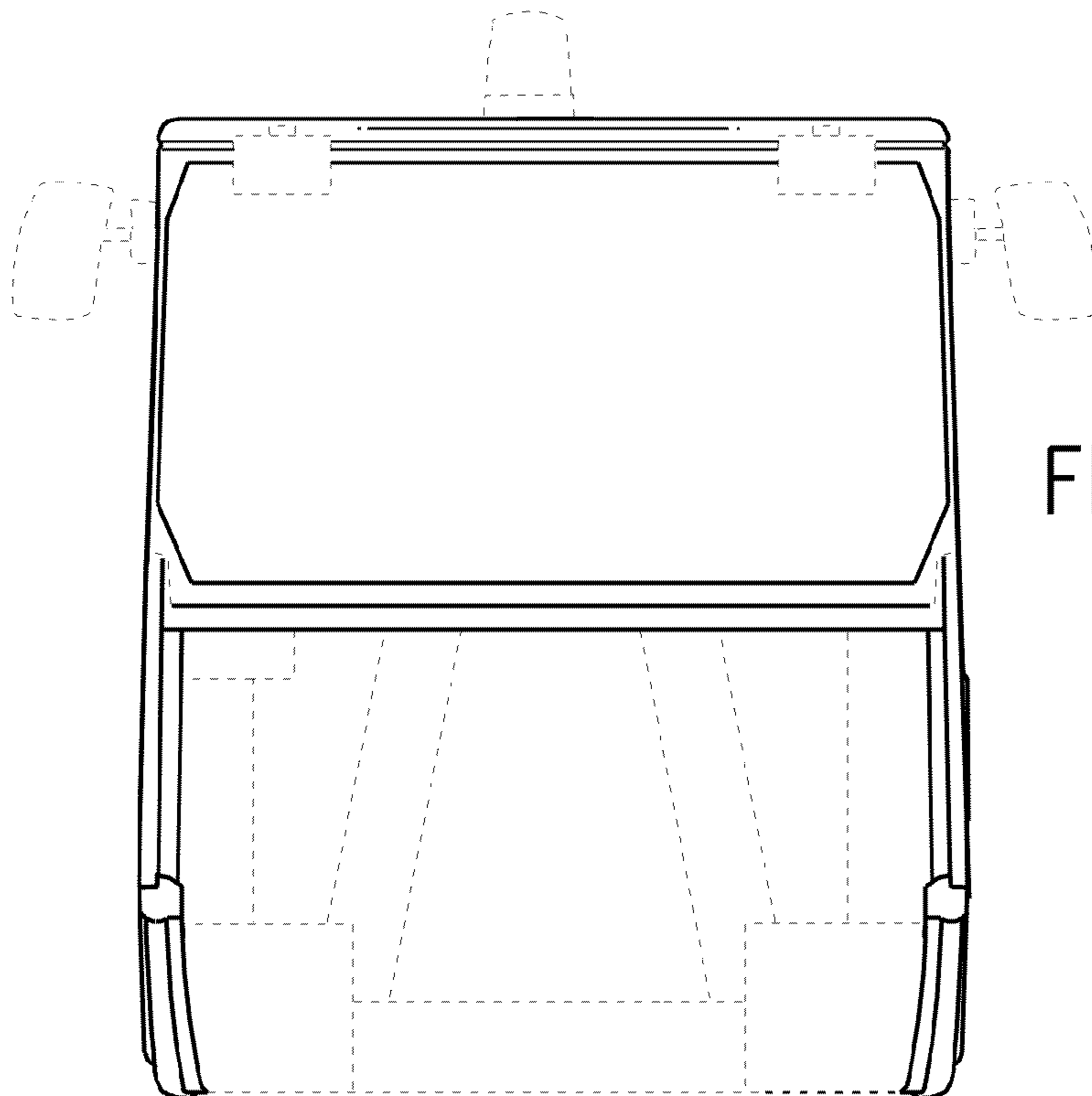


FIG. 6

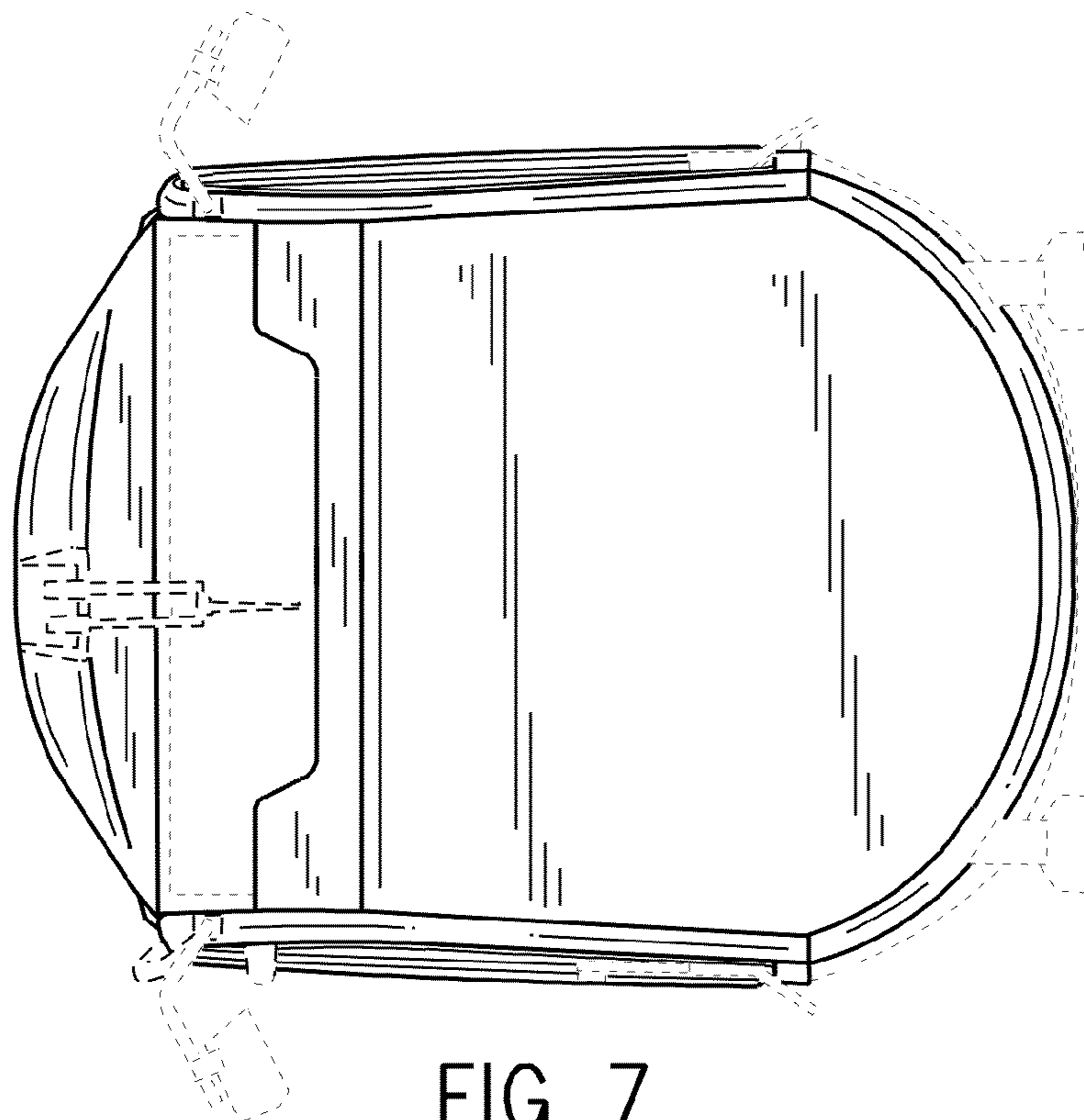


FIG. 7

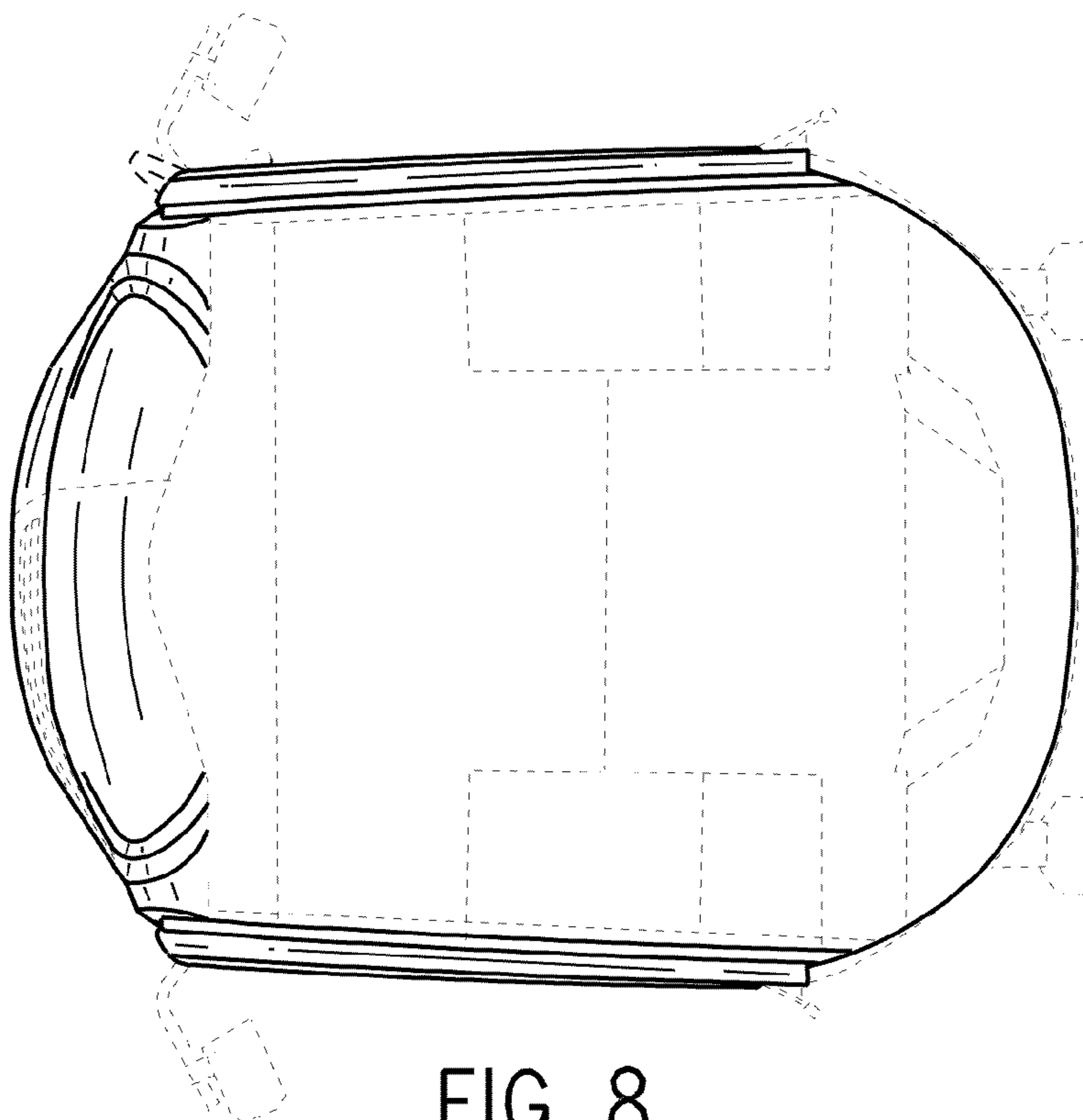


FIG. 8