



US00D714829S

(12) **United States Design Patent**
Chu

(10) **Patent No.:** **US D714,829 S**

(45) **Date of Patent:** **** Oct. 7, 2014**

(54) **CAP FOR AIR COMPRESSOR**

(71) Applicant: **Henry C. Chu**, Orange, CA (US)

(72) Inventor: **Henry C. Chu**, Orange, CA (US)

(**) Term: **14 Years**

(21) Appl. No.: **29/480,063**

(22) Filed: **Jan. 23, 2014**

(51) **LOC (10) Cl.** **15-02**

(52) **U.S. Cl.**
USPC **D15/9**

(58) **Field of Classification Search**

CPC F04B 1/12; F04B 11/00; F04B 39/12;
F01N 7/10
USPC D15/7-9; D23/231, 232, 225; 417/60,
417/235, 265, 321, 355, 358, 363, 359,
417/410.1, 415-416, 405, 900, 312, 269;
60/408, 412; 184/26-37; 415/140-147;
123/495, 509

See application file for complete search history.

(56) **References Cited**

U.S. PATENT DOCUMENTS

D603,874 S	*	11/2009	Chu	D15/9
D656,161 S	*	3/2012	Nam et al.	D15/9
D666,223 S	*	8/2012	Chen	D15/9
D700,628 S	*	3/2014	Chu	D15/9

* cited by examiner

Primary Examiner — Ralf Seifert

(74) *Attorney, Agent, or Firm* — Charles E. Baxley

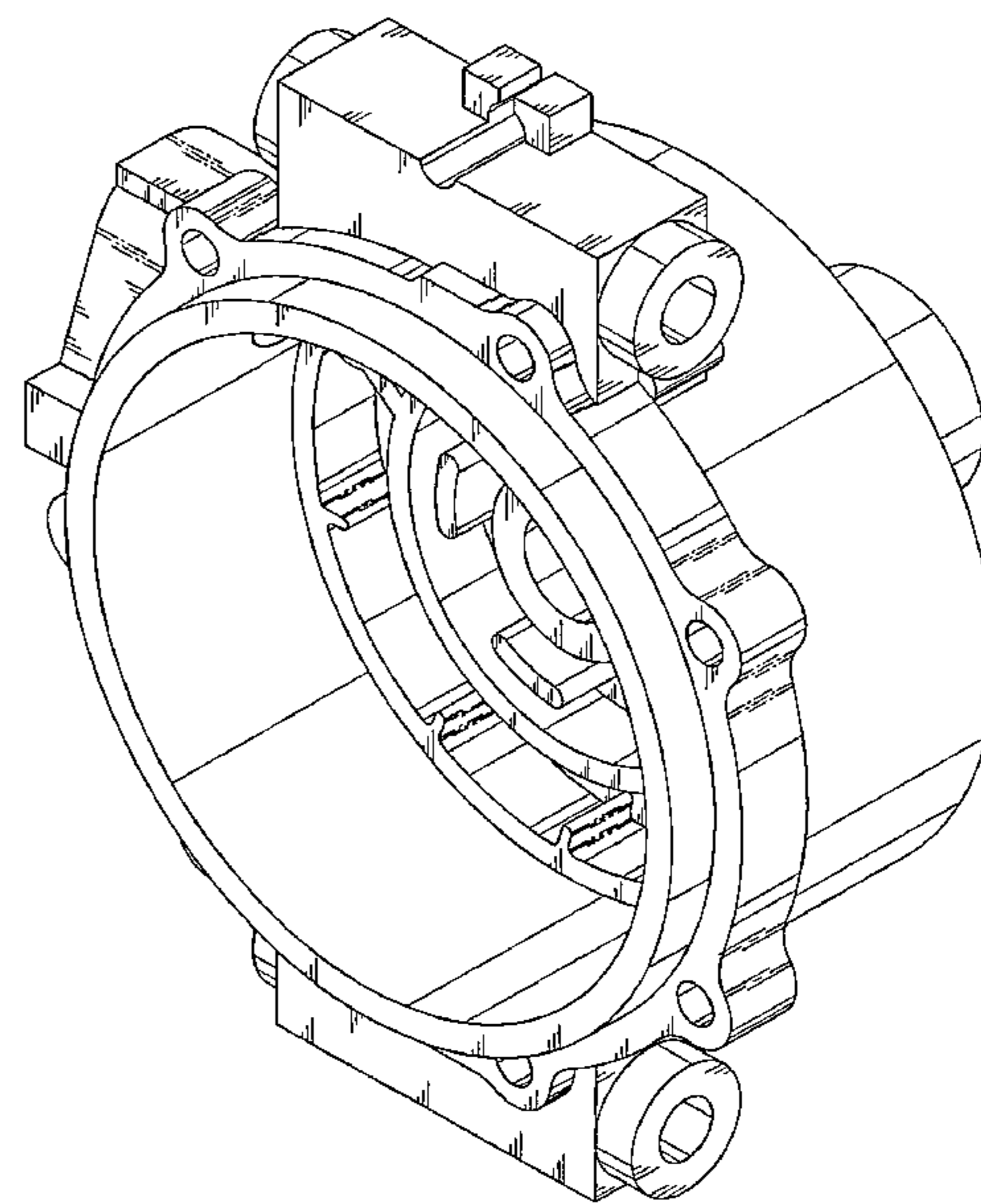
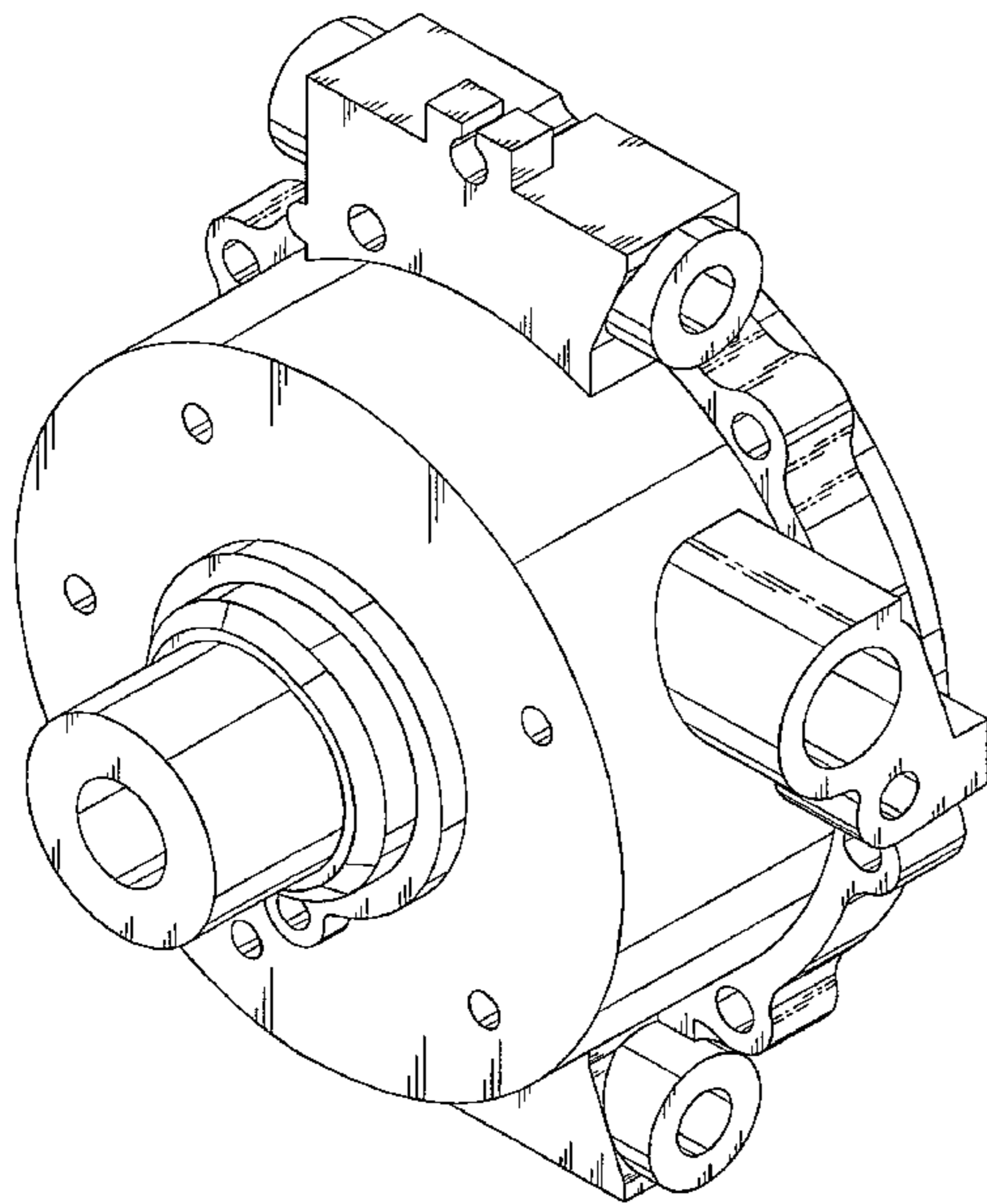
(57) **CLAIM**

The ornamental design for a cap for air compressor, as shown and described.

DESCRIPTION

FIG. 1 is a front and upper perspective view of a cap for air compressor showing my new design;
FIG. 2 is a front elevational view thereof;
FIG. 3 is a rear elevational view thereof;
FIG. 4 is a top plan view thereof;
FIG. 5 is a bottom plan view thereof;
FIG. 6 is a left side elevational view thereof;
FIG. 7 is a right side elevational view thereof, the broken lines in FIG. 7 are included for the purpose of illustrating portions of the cap for air compressor that form no part of the claimed design;
FIG. 8 is a rear and upper perspective view thereof;
FIG. 9 is a rear and bottom perspective view thereof;
FIG. 10 is a front and upper perspective view thereof, the openings and the recesses and the ribs depicted by means of broken lines being for illustrative purposes only and forming no part of the claimed design; and,
FIG. 11 is a rear plan view thereof, the openings and the recesses and the ribs depicted by means of broken lines being for illustrative purposes only and forming no part of the claimed design.

1 Claim, 10 Drawing Sheets



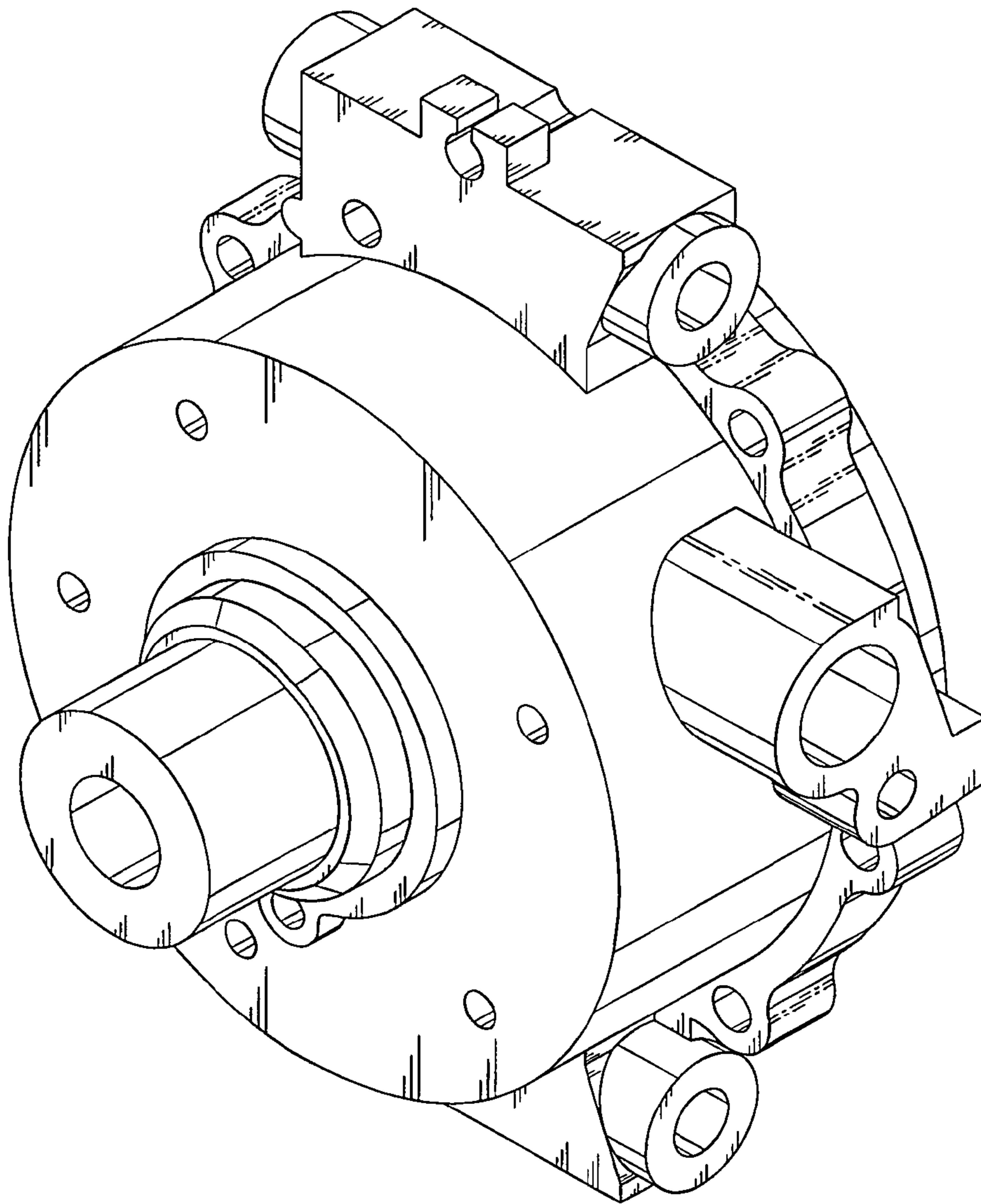


FIG. 1

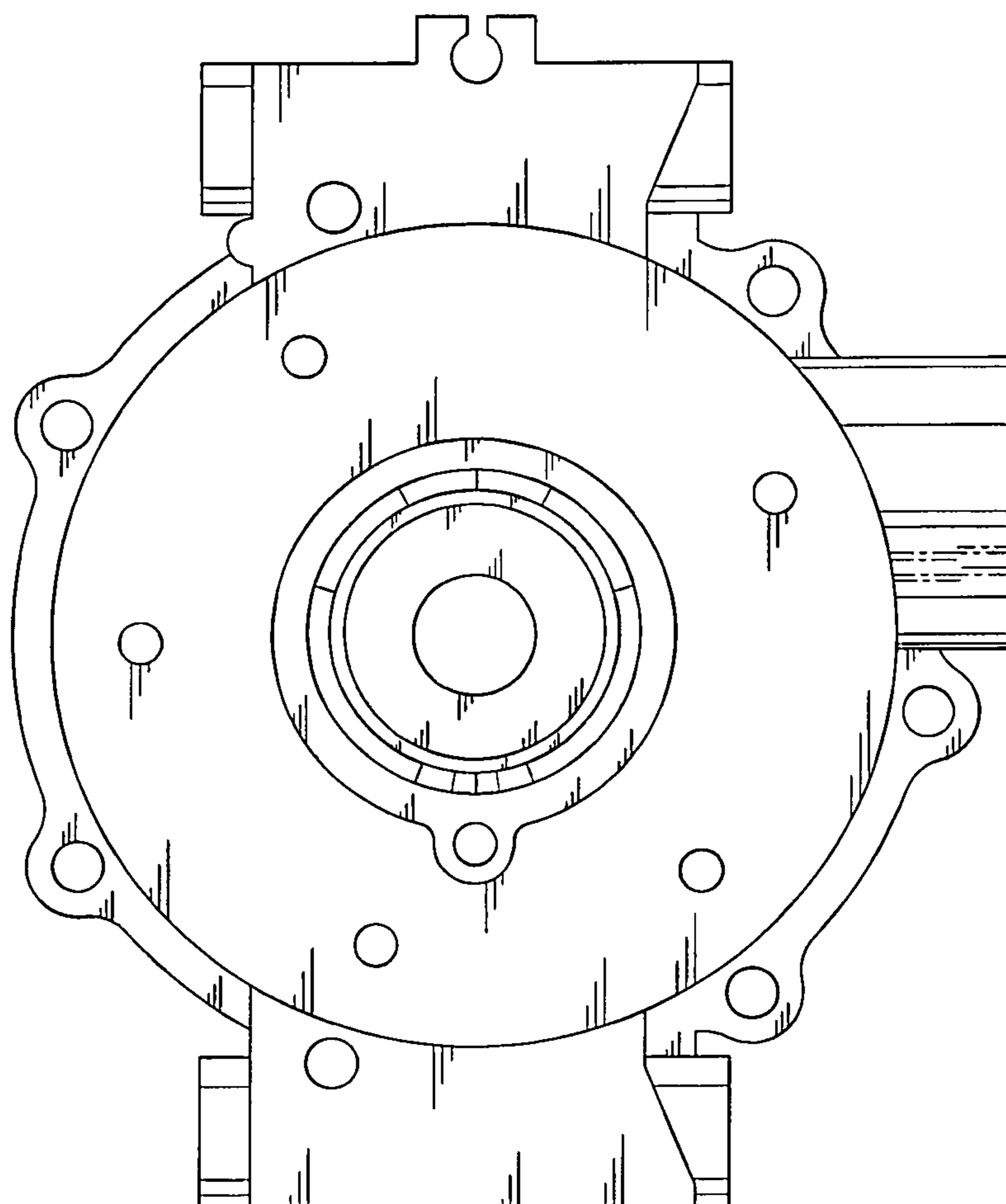


FIG. 2

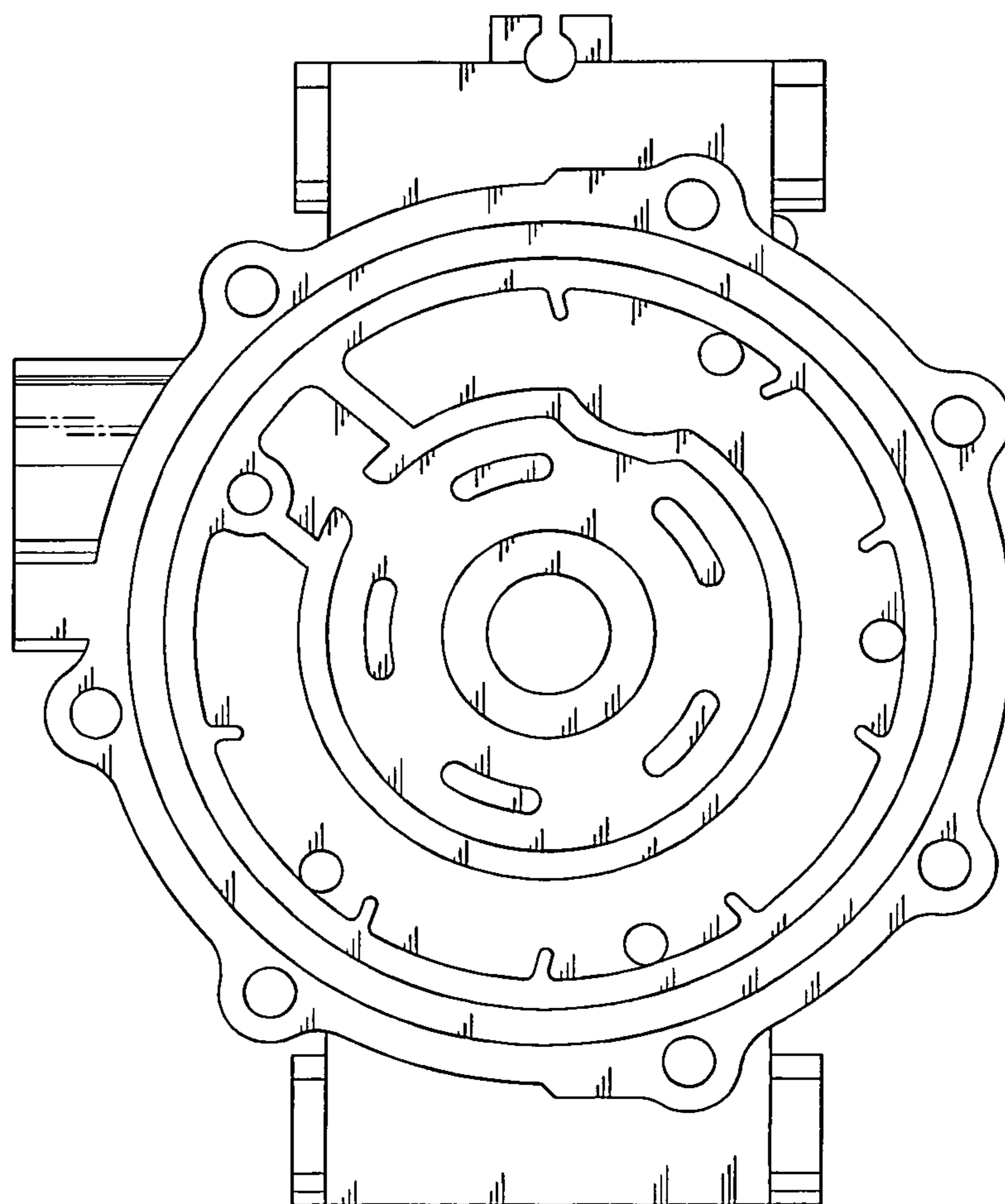


FIG. 3

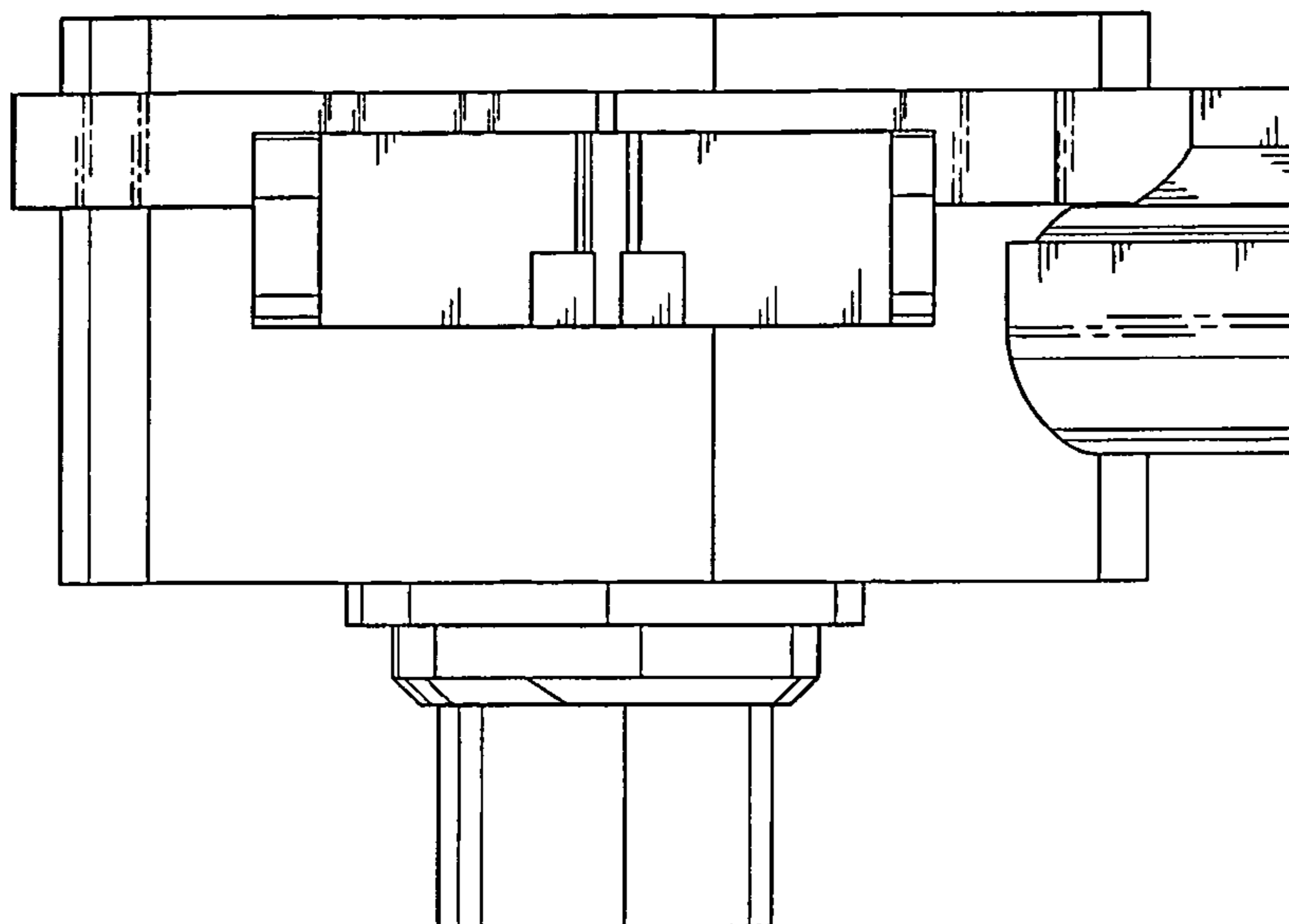


FIG. 4

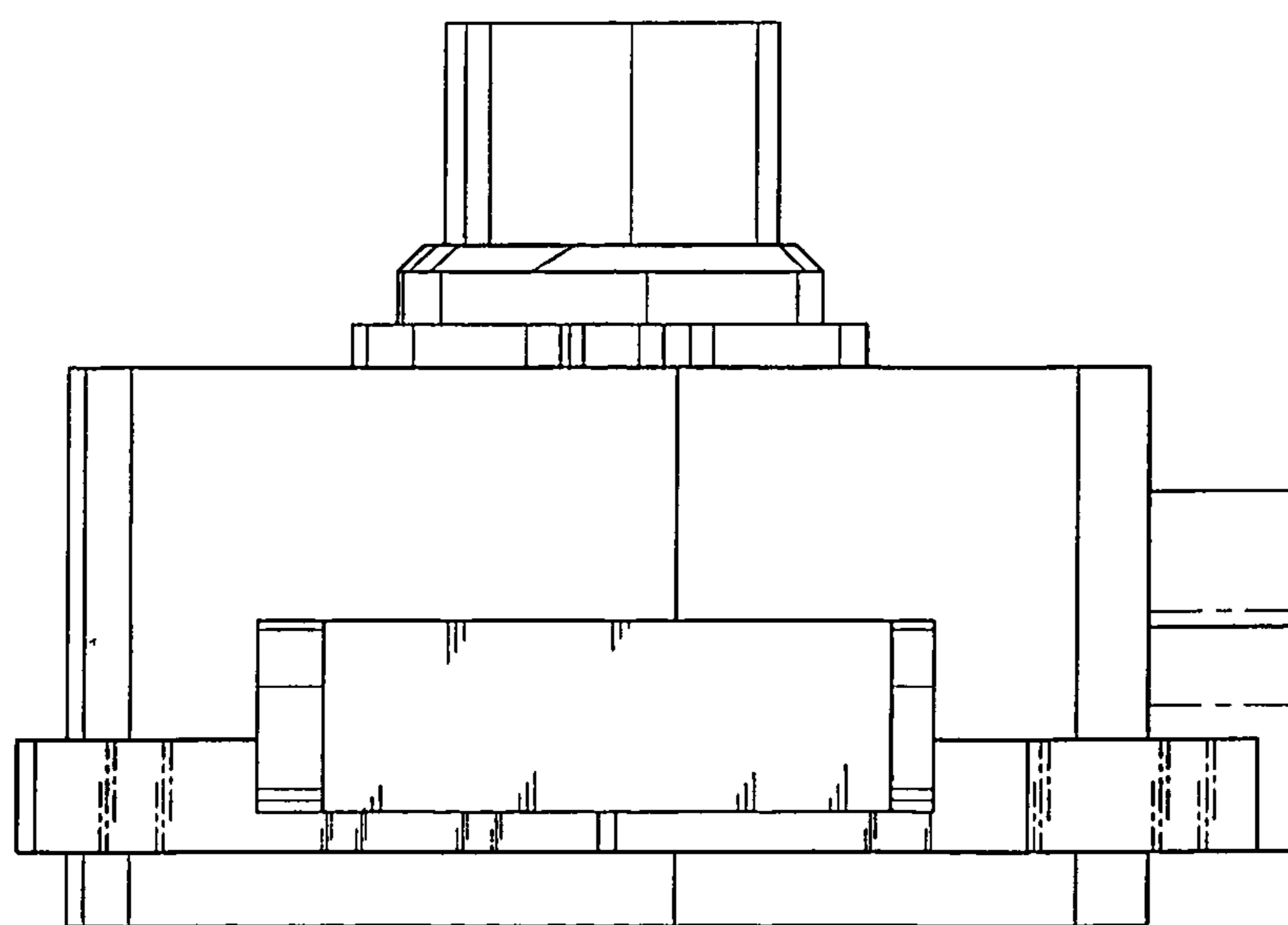


FIG. 5

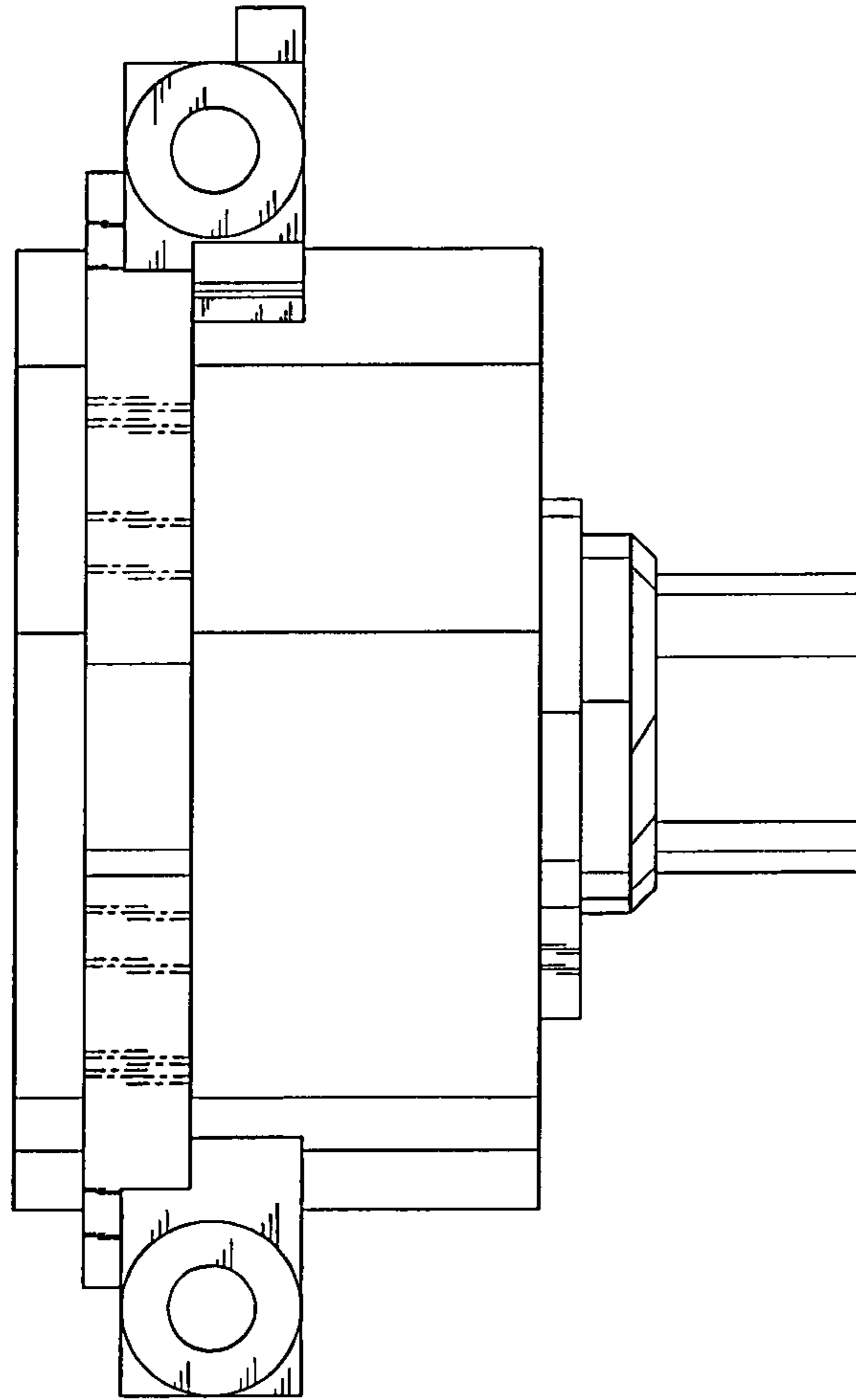


FIG. 6

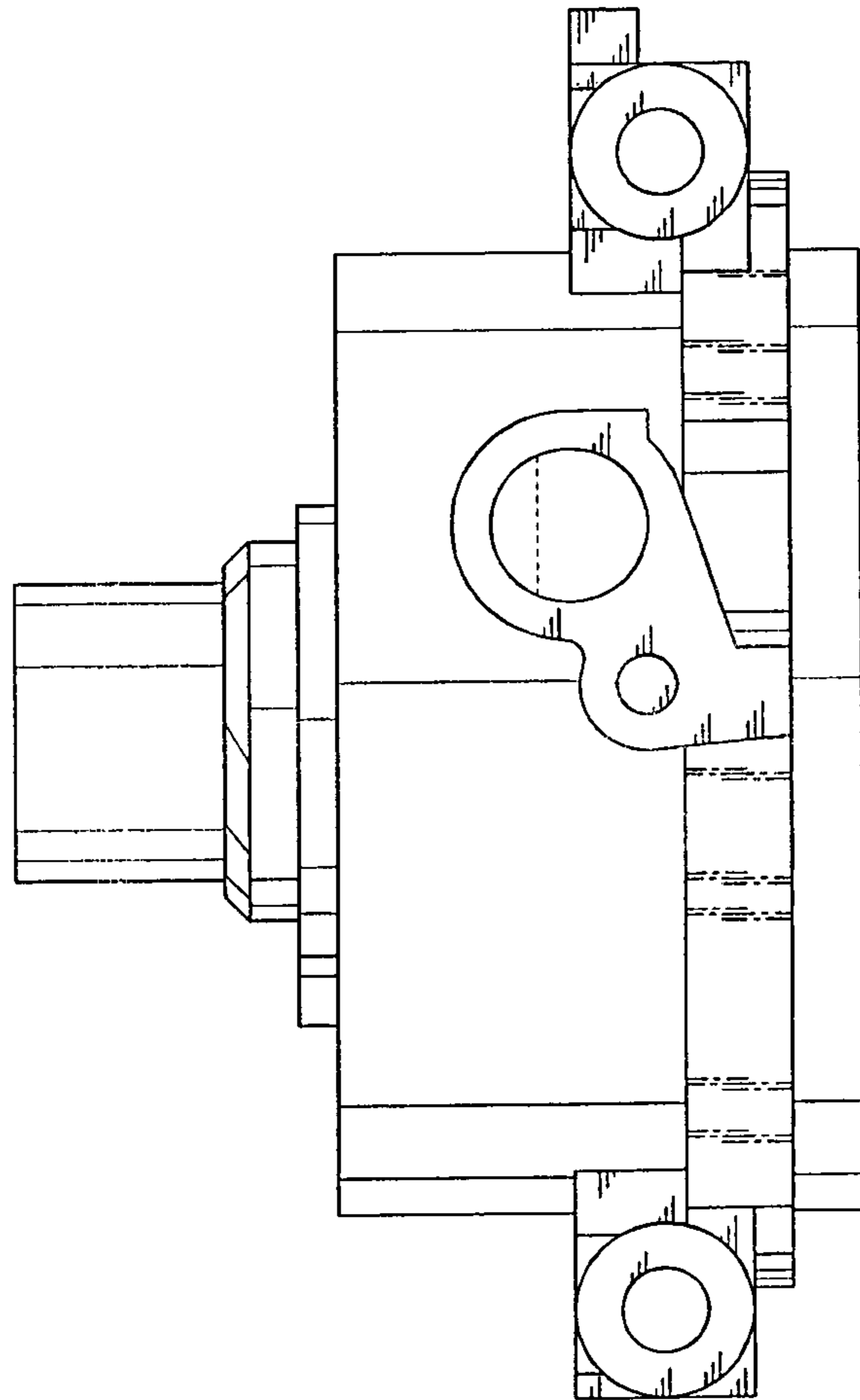


FIG. 7

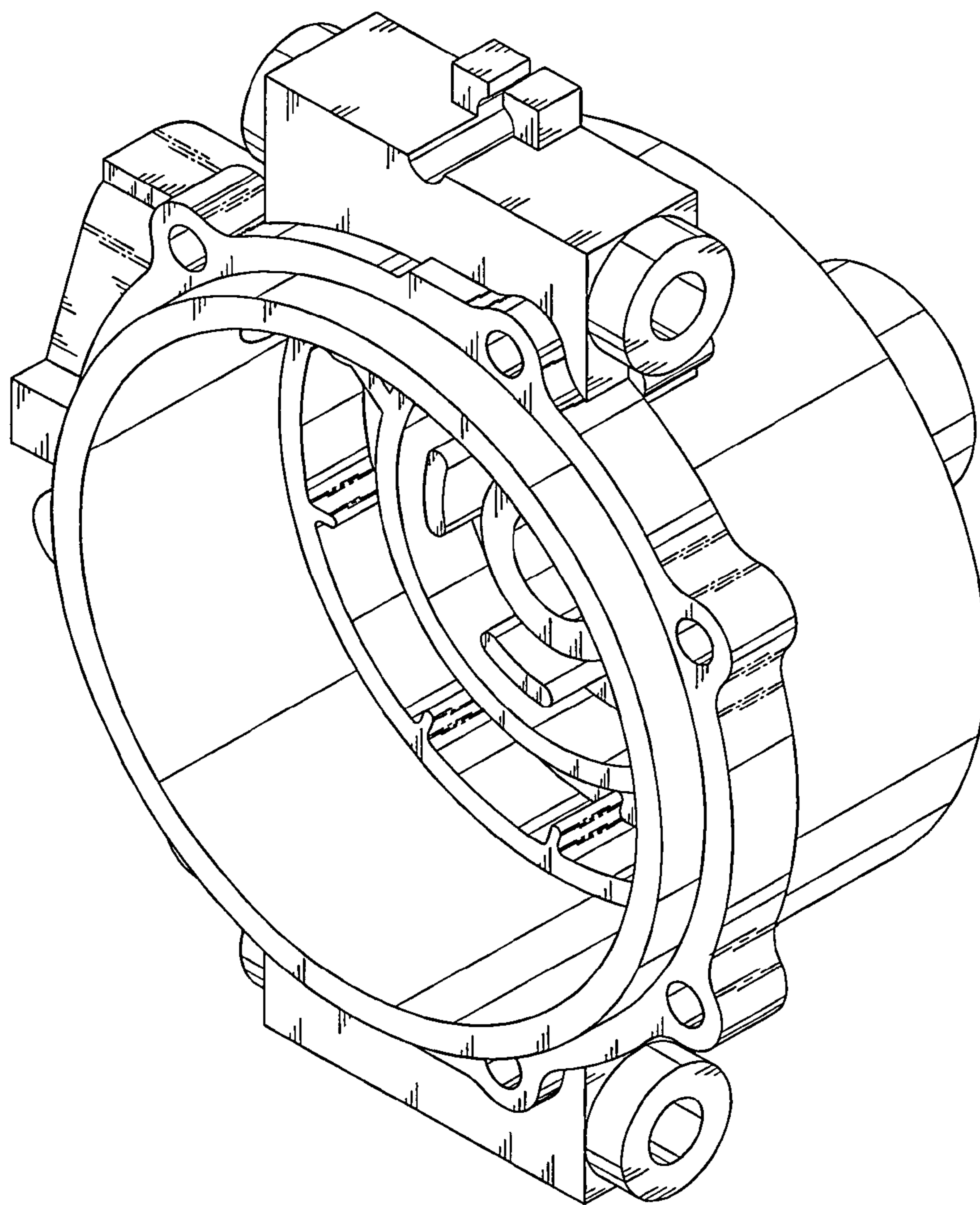


FIG. 8

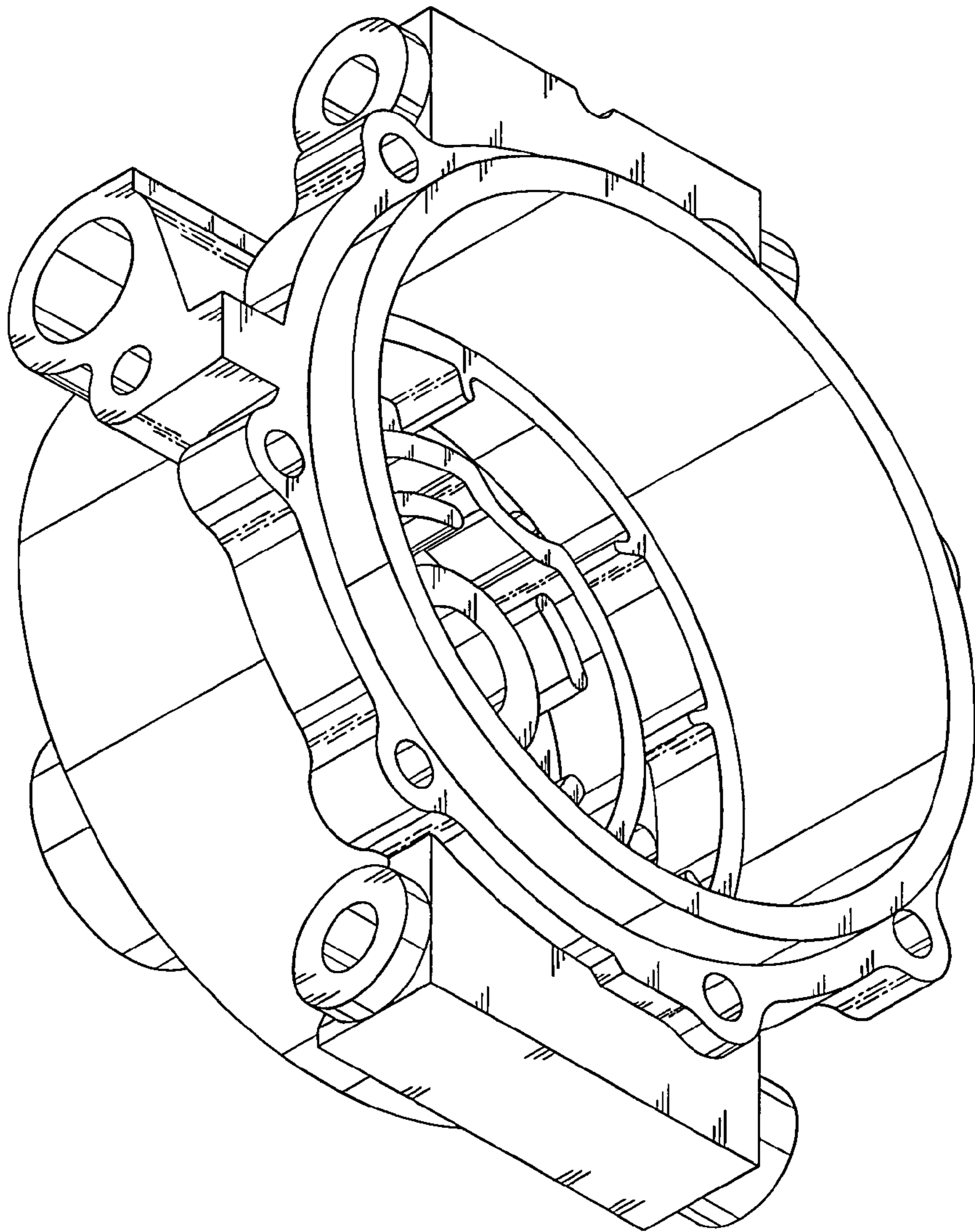


FIG. 9

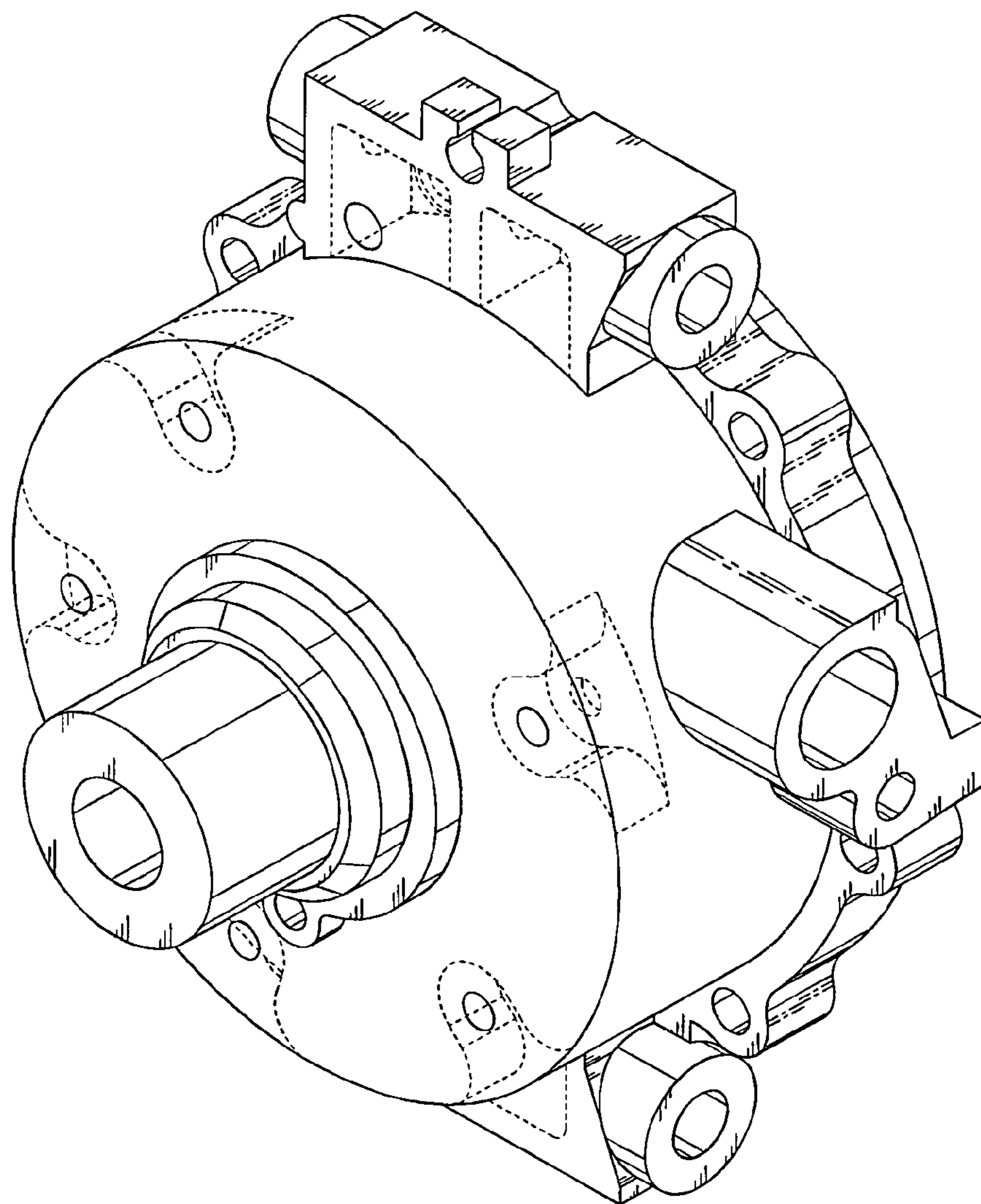


FIG. 10

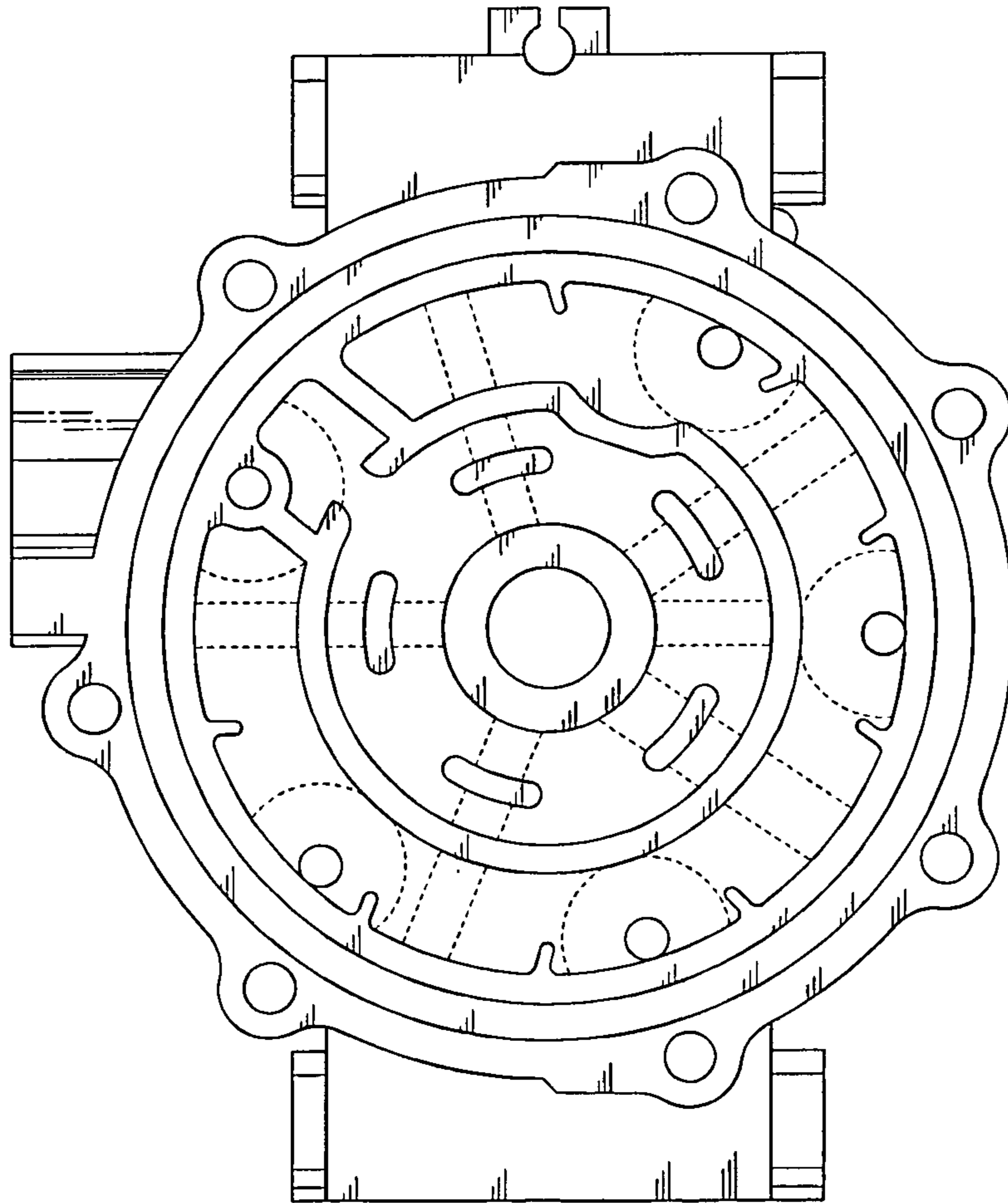


FIG. 11