



US00D714794S

(12) **United States Design Patent**  
**Quijano et al.**

(10) **Patent No.:** **US D714,794 S**

(45) **Date of Patent:** **\*\* Oct. 7, 2014**

(54) **DISPLAY STAND**

(71) Applicant: **Hewlett-Packard Development Company, L.P.**, Houston, TX (US)

(72) Inventors: **David Quijano**, Fort Collins, CO (US);  
**Paul L. Drew**, The Woodlands, TX (US)

(73) Assignee: **Hewlett-Packard Development Company, L.P.**, Houston, TX (US)

(\*\*) Term: **14 Years**

(21) Appl. No.: **29/479,408**

(22) Filed: **Jan. 15, 2014**

(51) **LOC (10) Cl.** ..... **08-03**

(52) **U.S. Cl.**  
USPC ..... **D14/447**

(58) **Field of Classification Search**  
USPC ..... D14/447, 432, 433, 434, 439, 440, 451,  
D14/452, 457, 459, 460, 461, 251, 253, 448,  
D14/449, 450; D9/433, 455, 457; D20/10,  
D20/25; D6/672, 674, 674.1, 678, 682,  
D6/682.3; 40/124.05, 124.06, 124.07,  
40/124.08, 124.09, 124.14, 124.16, 539;  
248/917-924, 445, 447.1, 451, 456,  
248/459, 460, 150, 152, 174, 188.6, 176.1;  
361/679.02, 679.09, 679.21, 679.26,  
361/679.3, 679.27, 679.55, 679.56

See application file for complete search history.

(56) **References Cited**

**U.S. PATENT DOCUMENTS**

D508,916 S \* 8/2005 Lee ..... D14/447  
7,040,823 B2 \* 5/2006 Silverbrook ..... 400/419

7,061,753	B2 *	6/2006	Michoux et al. ....	361/679.05
D537,079	S *	2/2007	Park .....	D14/375
D541,278	S *	4/2007	Hsu et al. ....	D14/375
D549,232	S *	8/2007	Li et al. ....	D14/447
D588,141	S *	3/2009	Heggland et al. ....	D14/451
7,578,490	B2 *	8/2009	Kim .....	248/281.11
D599,792	S *	9/2009	Lin .....	D14/331
7,766,288	B2 *	8/2010	Kim et al. ....	248/176.1
D631,042	S *	1/2011	Chen .....	D14/337
D672,356	S *	12/2012	Quijano et al. ....	D14/447
D688,659	S *	8/2013	Yusef .....	D14/335

\* cited by examiner

*Primary Examiner* — Angela J Lee

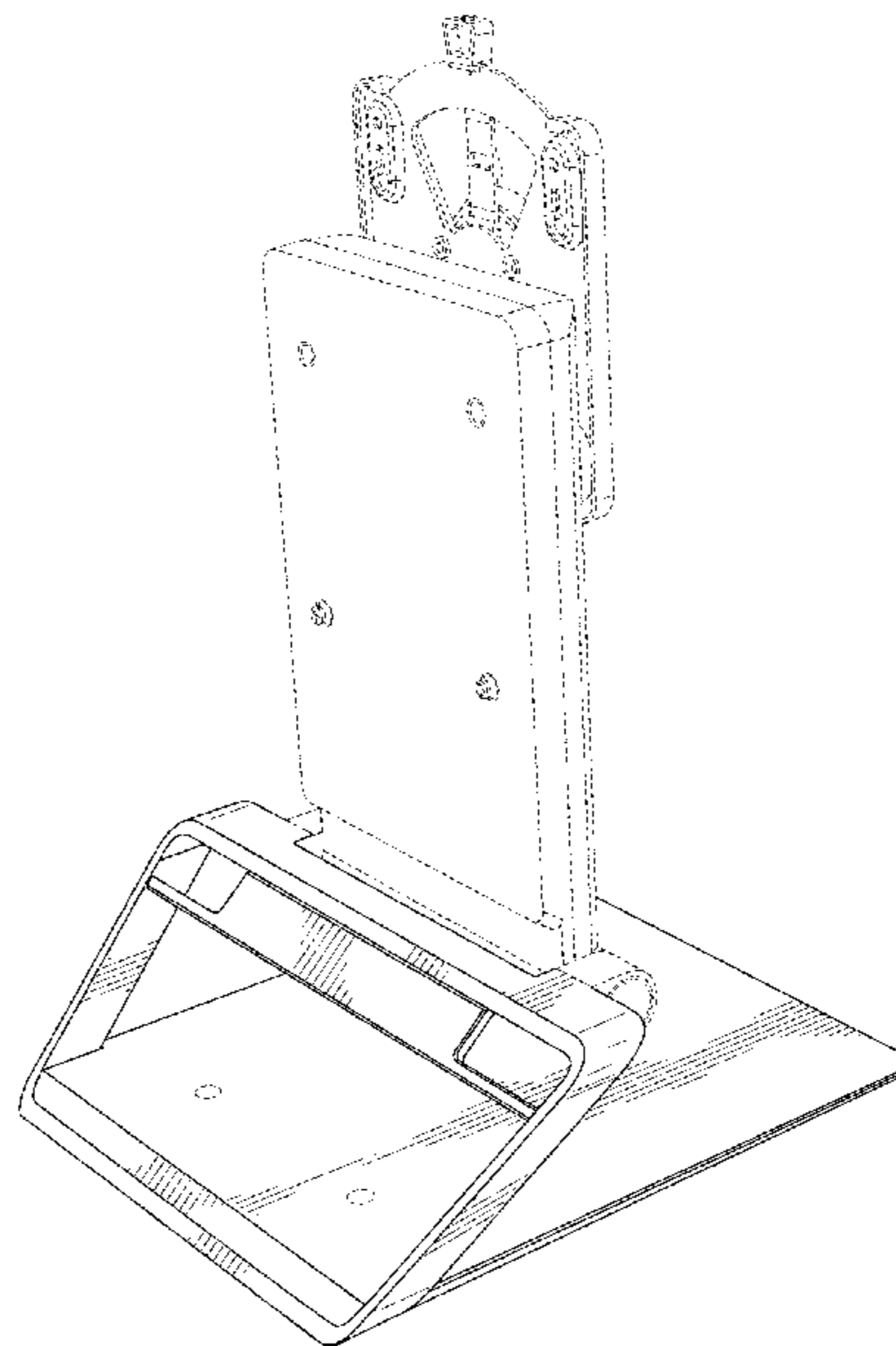
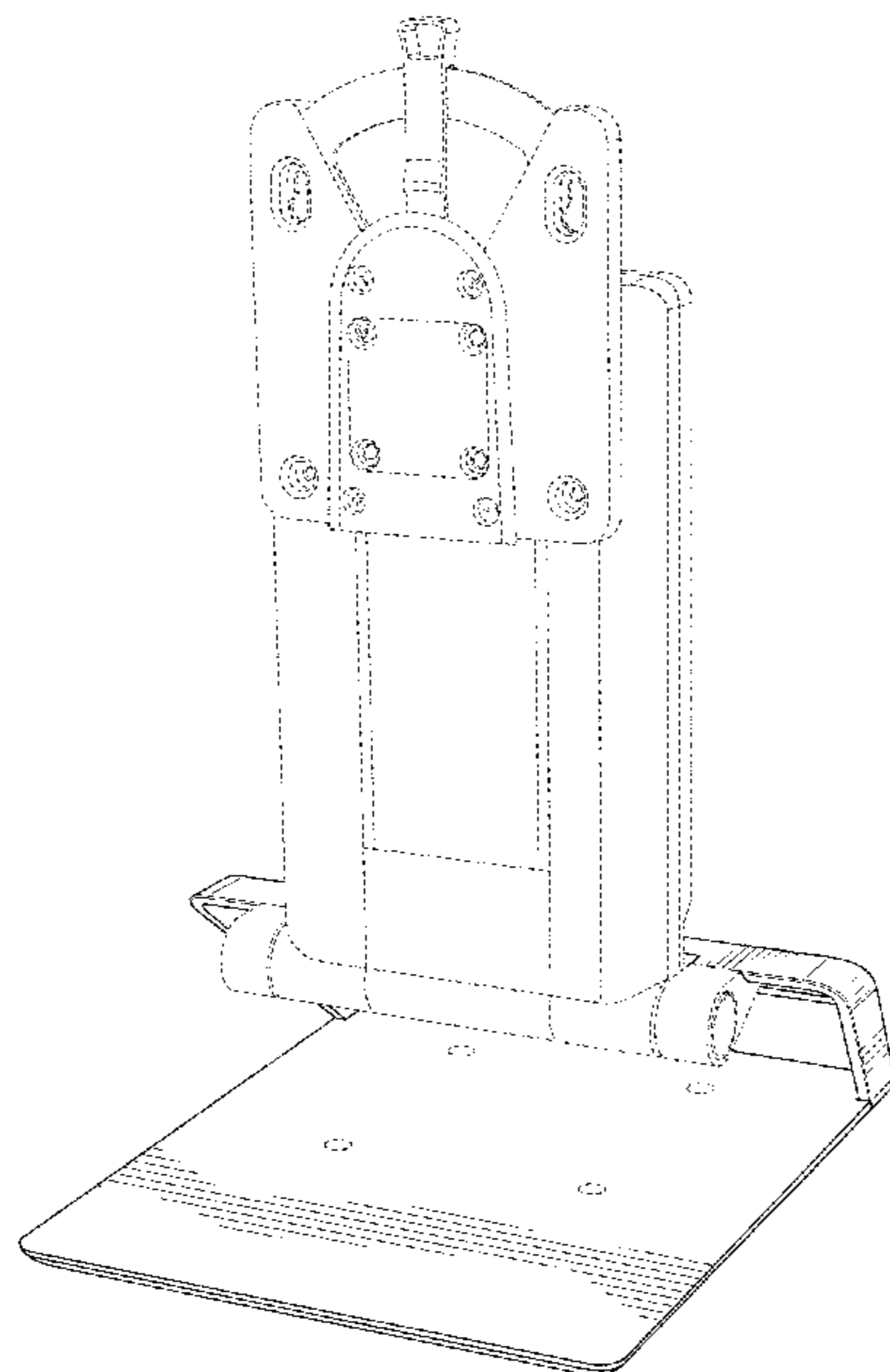
(57) **CLAIM**

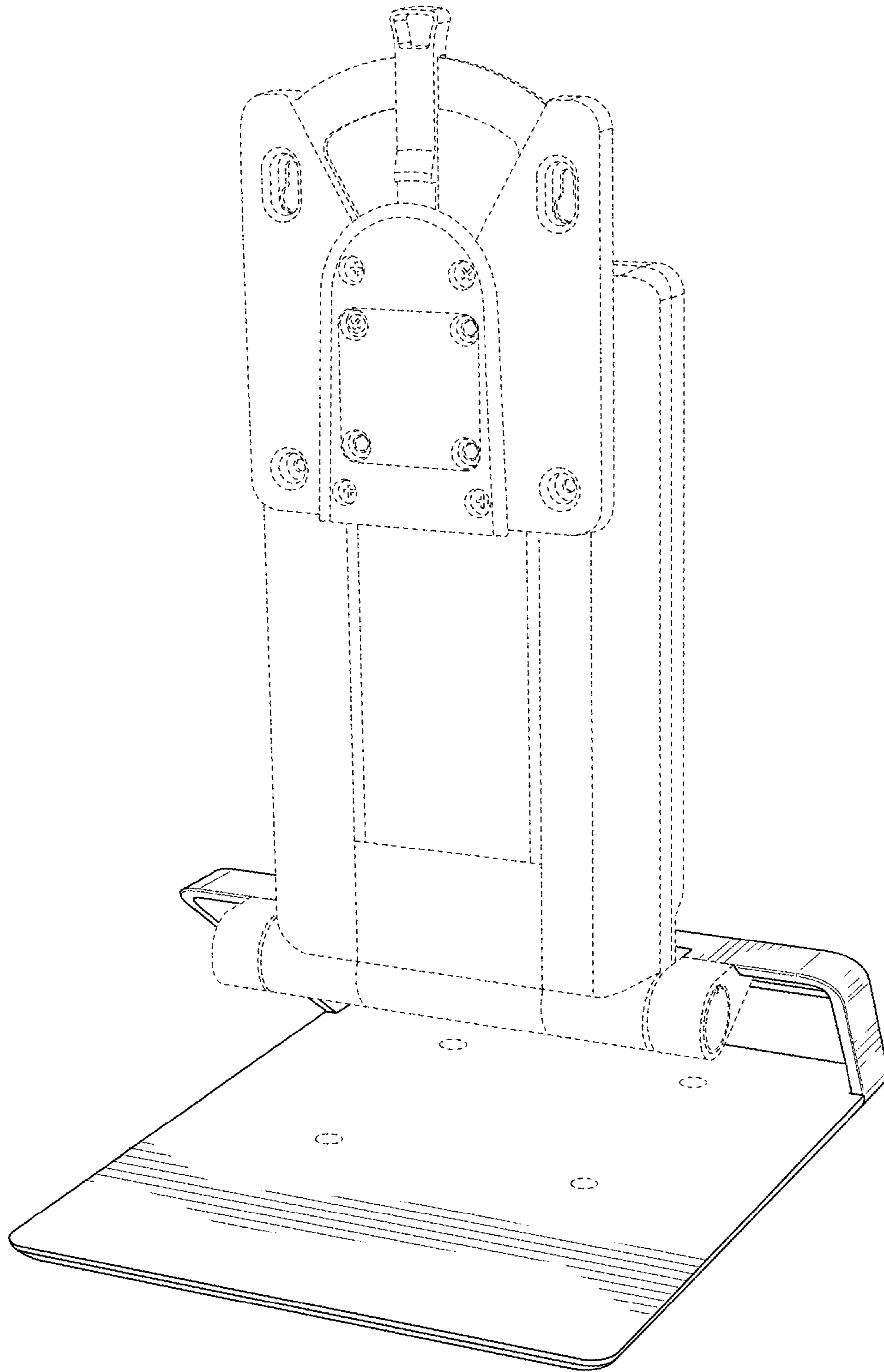
We claim the ornamental design for a display stand, as shown and described.

**DESCRIPTION**

FIG. 1 is a front perspective view of a display stand;  
FIG. 2 is a rear perspective view thereof;  
FIG. 3 is a rear view thereof;  
FIG. 4 is a front view thereof; and  
FIG. 5 is a left side view thereof;  
FIG. 6 is a right side view thereof;  
FIG. 7 is a top view thereof;  
FIG. 8 is a bottom view thereof;  
FIG. 9 is a rear perspective view of the stand supporting a display and a computing device;  
FIG. 10 is a rear perspective view of the stand supporting a display with a first riser; and,  
FIG. 11 is a rear perspective view of the stand supporting a computing device and a display with a second riser.  
The broken lines in the drawings are for illustrative purposes only and form no part of the claimed design.

**1 Claim, 11 Drawing Sheets**





**FIG. 1**

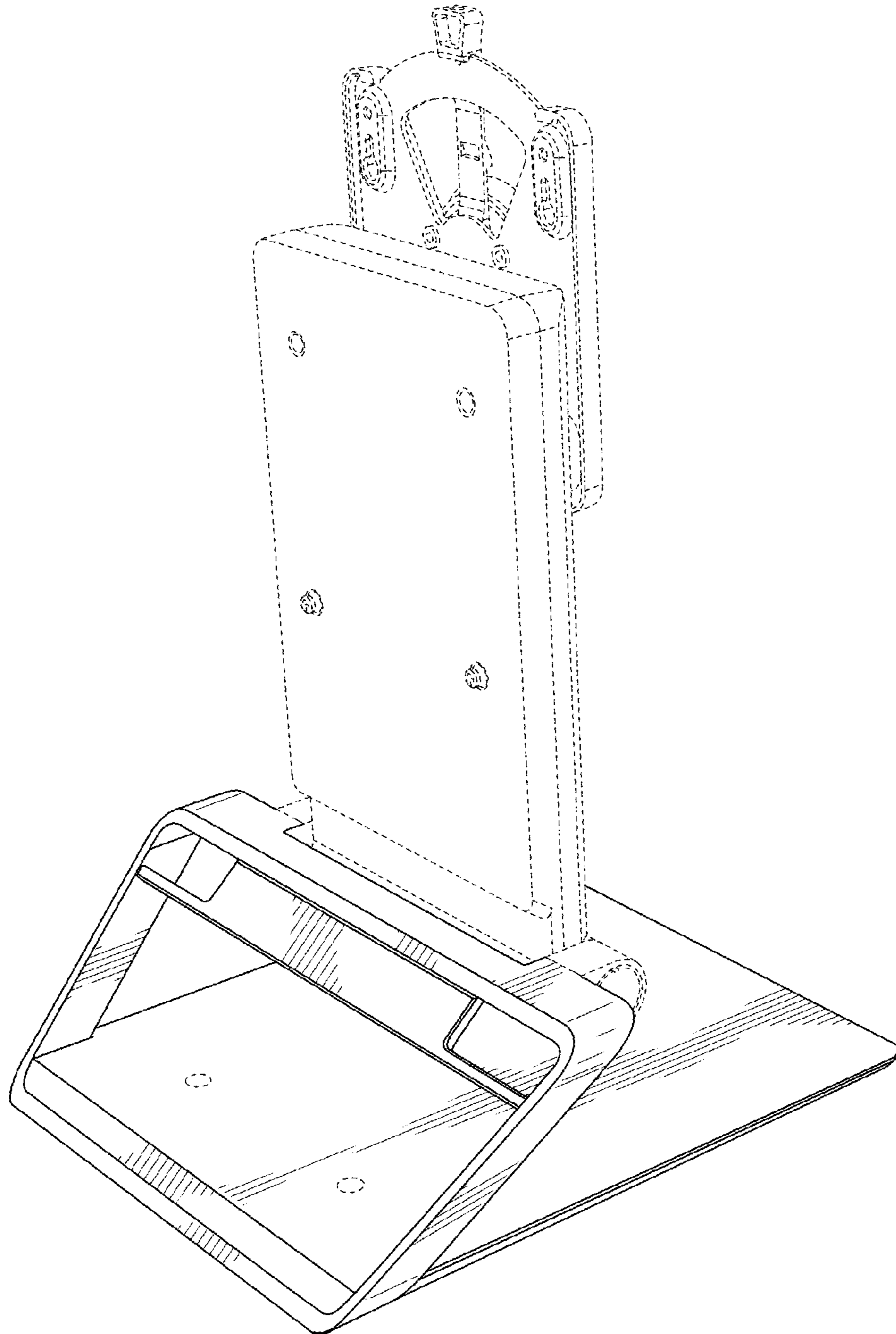
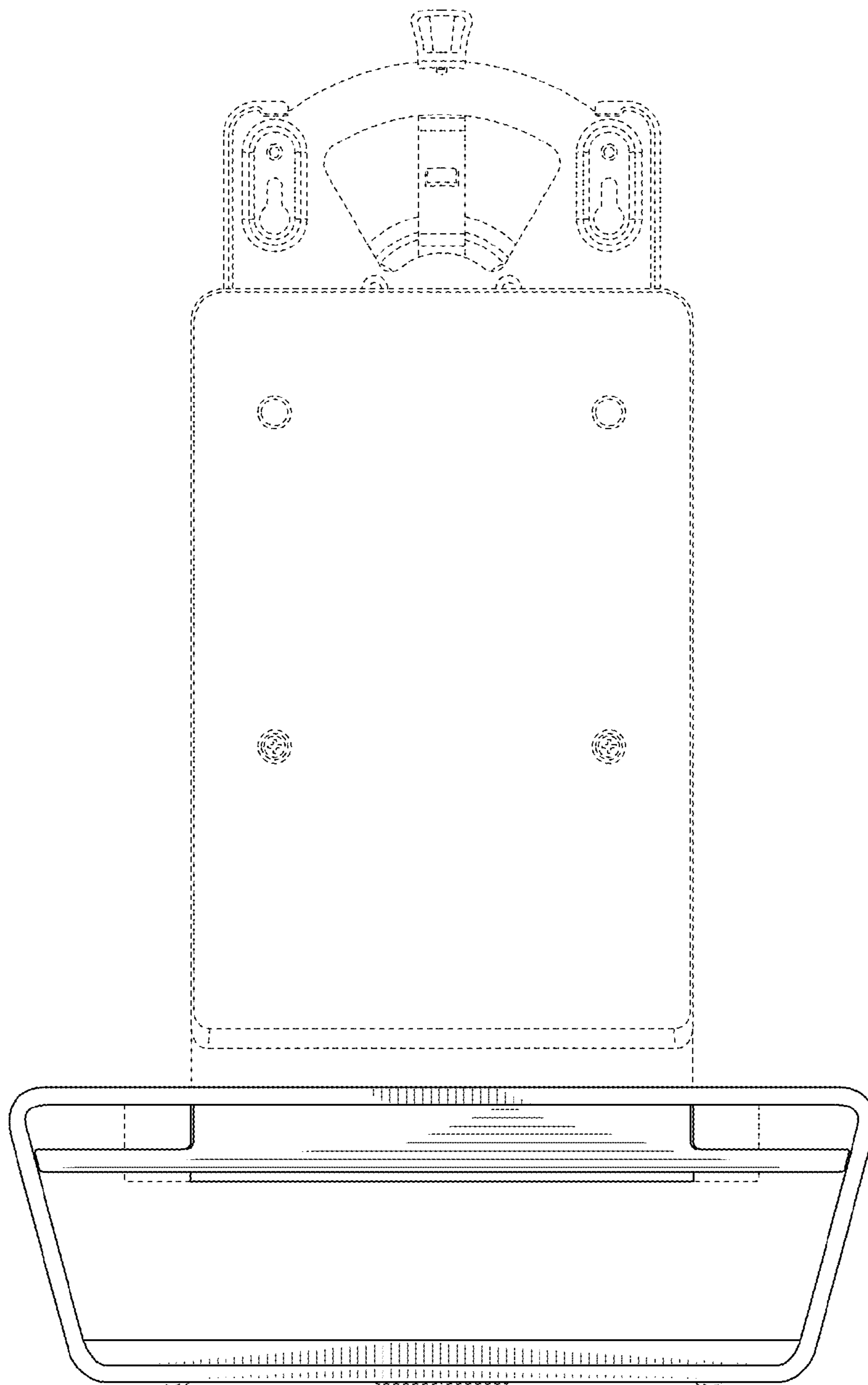


FIG. 2



**FIG. 3**

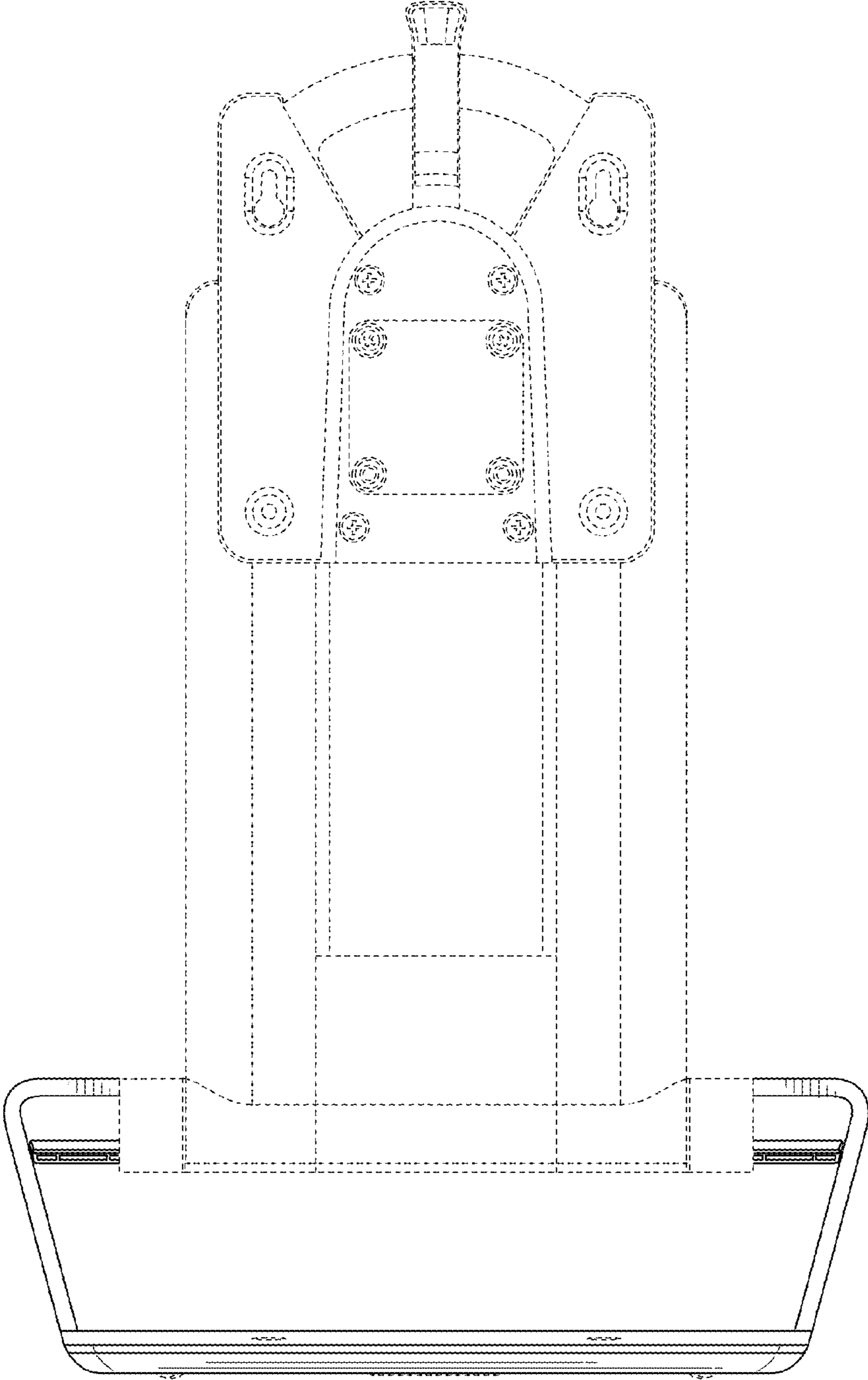


FIG. 4

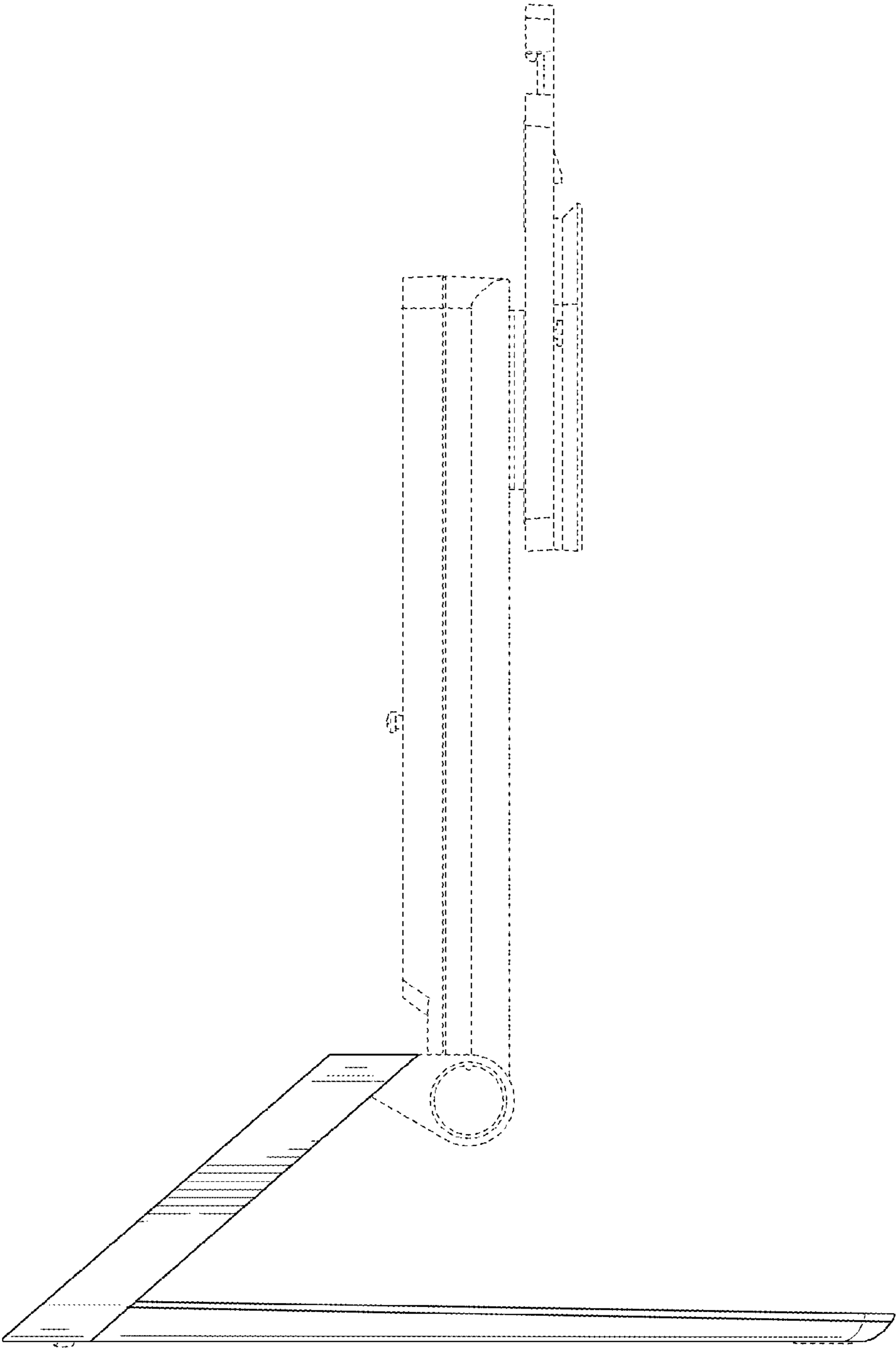


FIG. 5

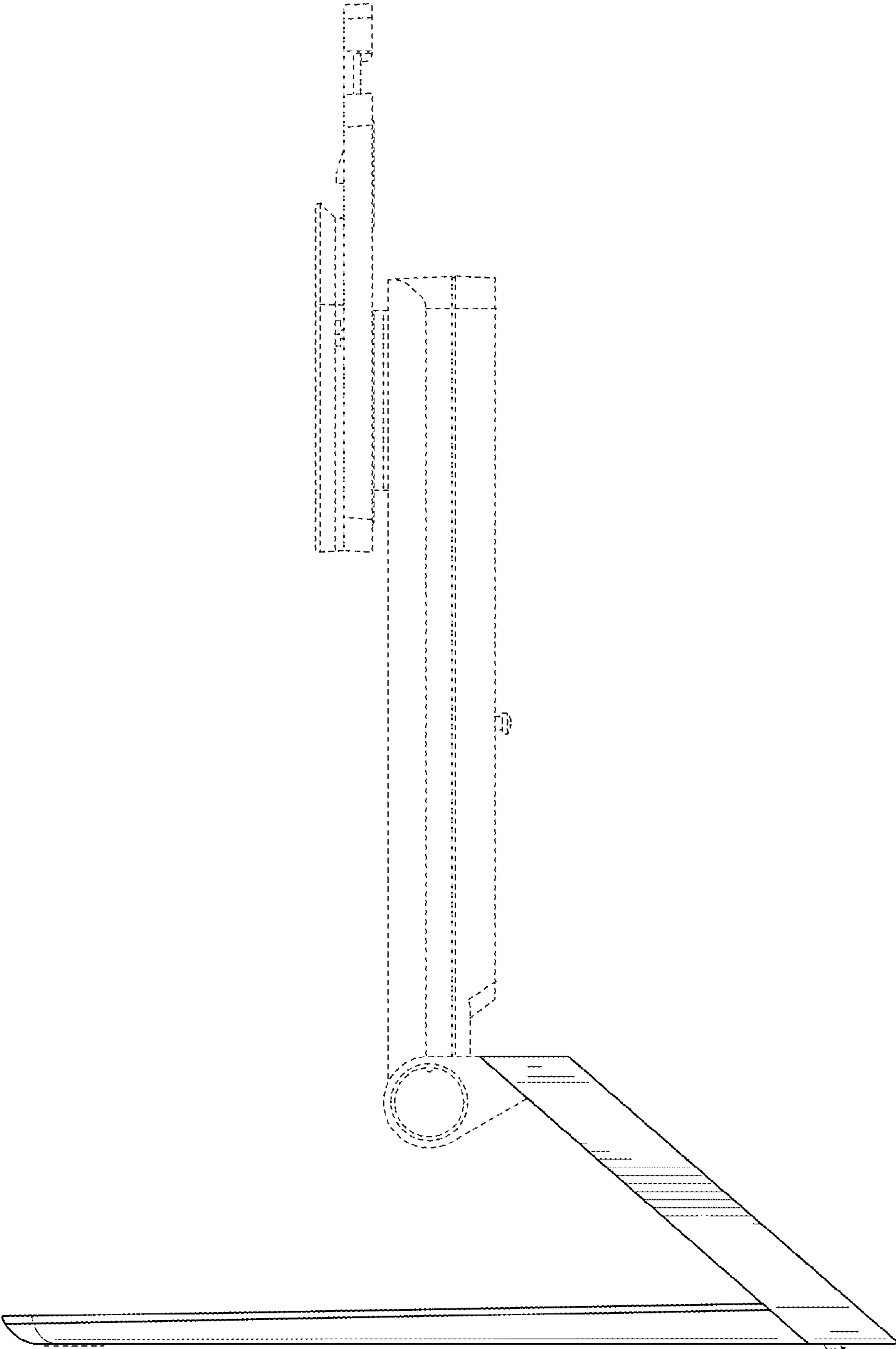


FIG. 6

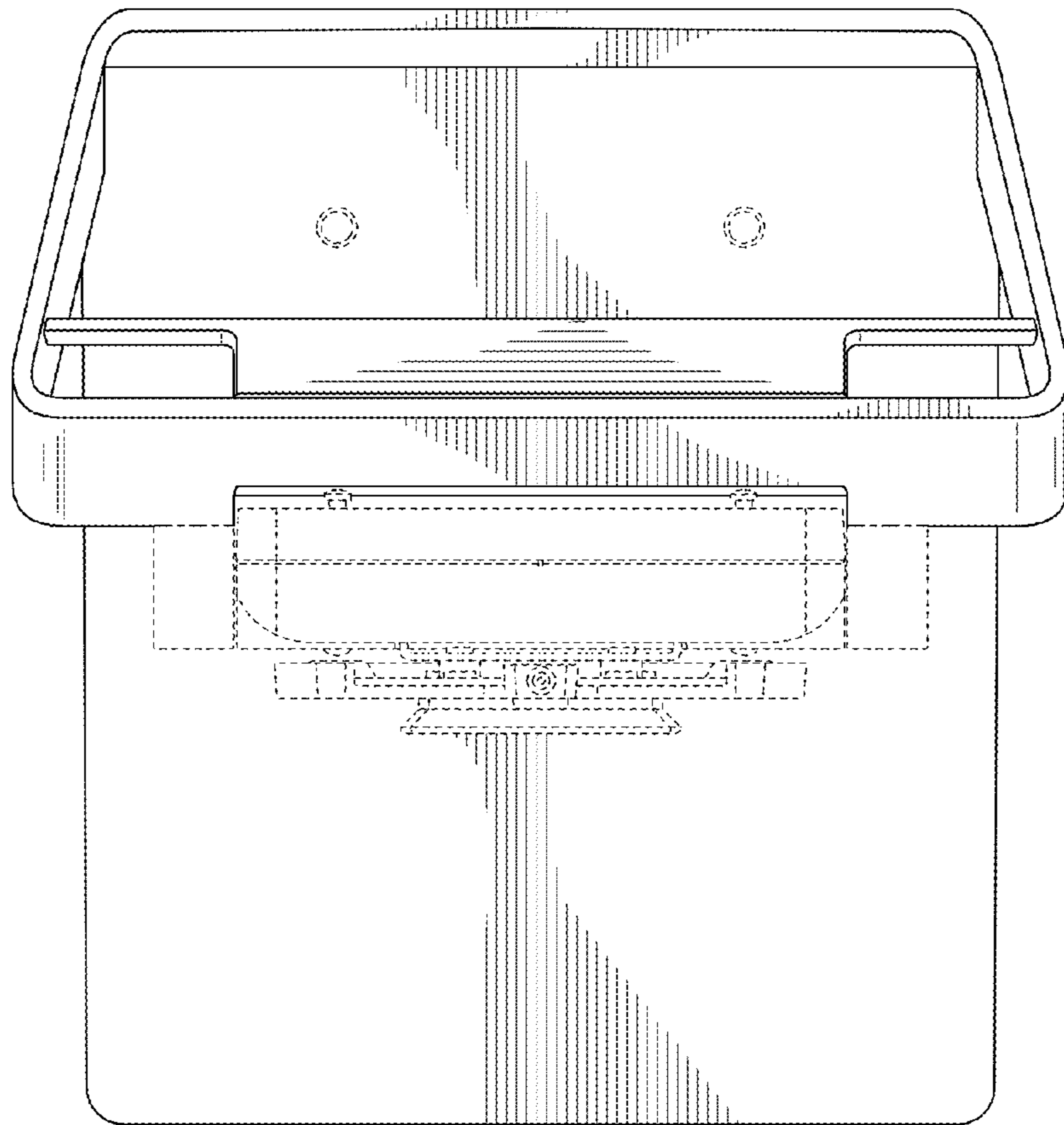


FIG. 7



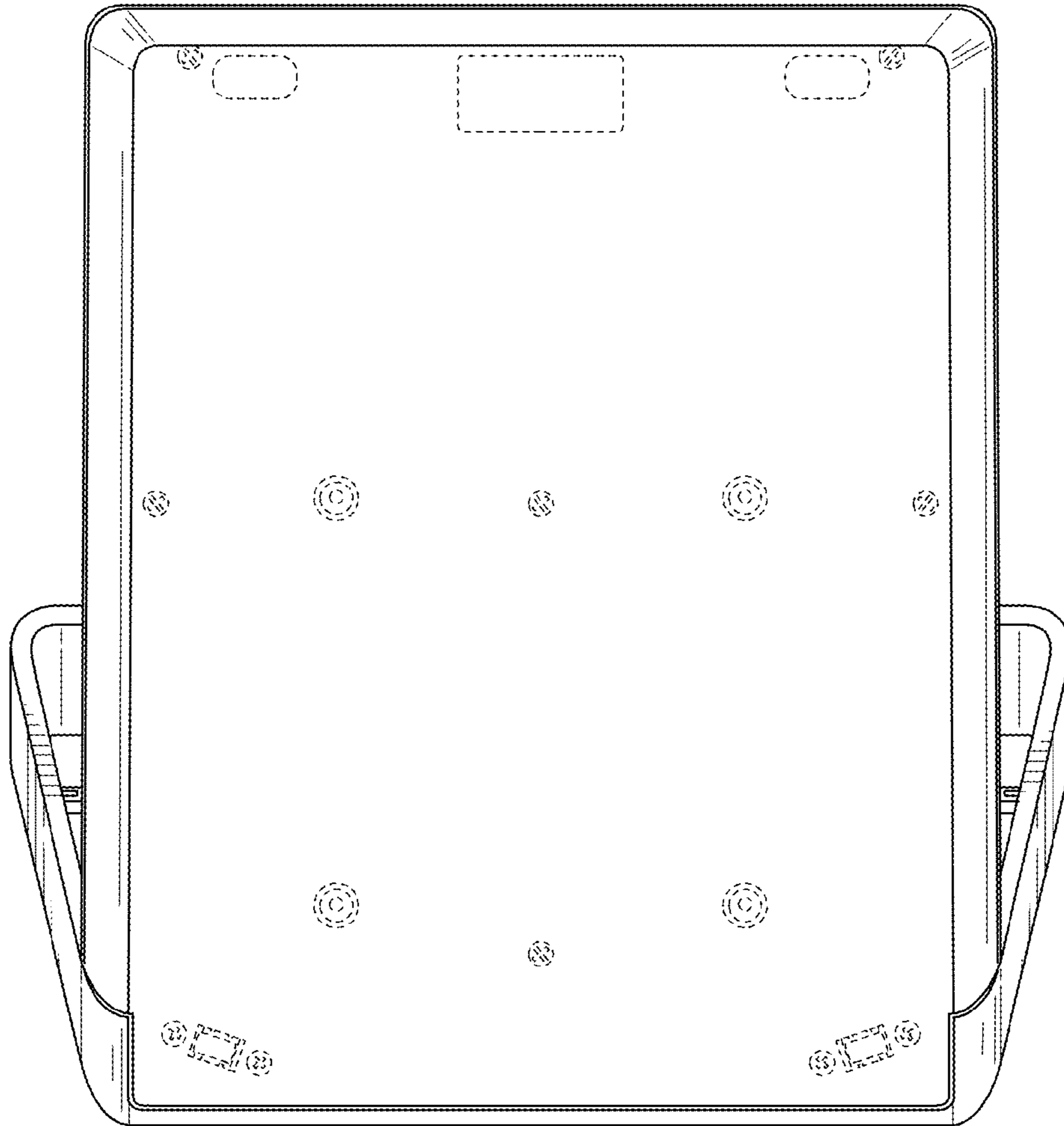


FIG. 8

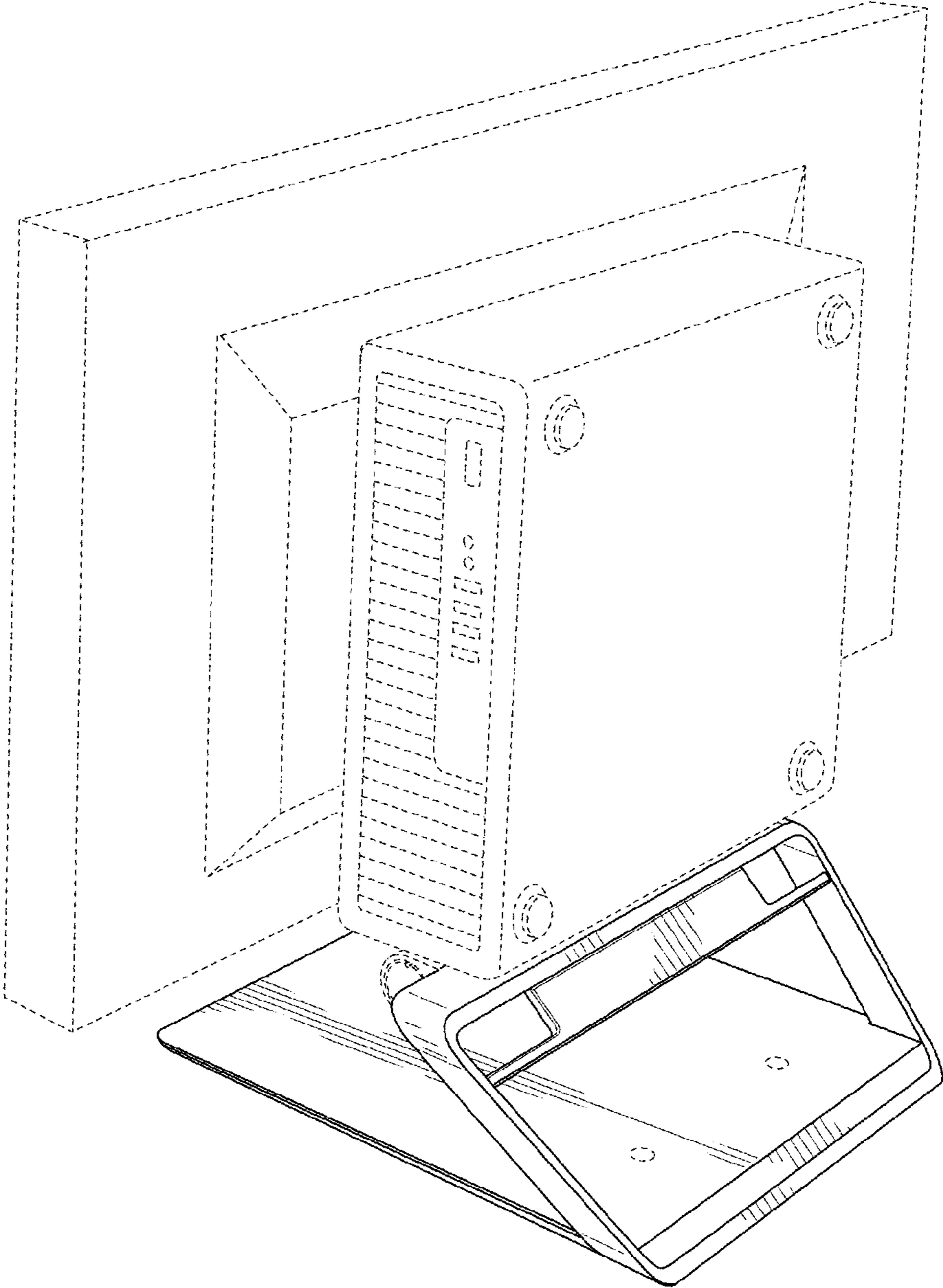


FIG. 9

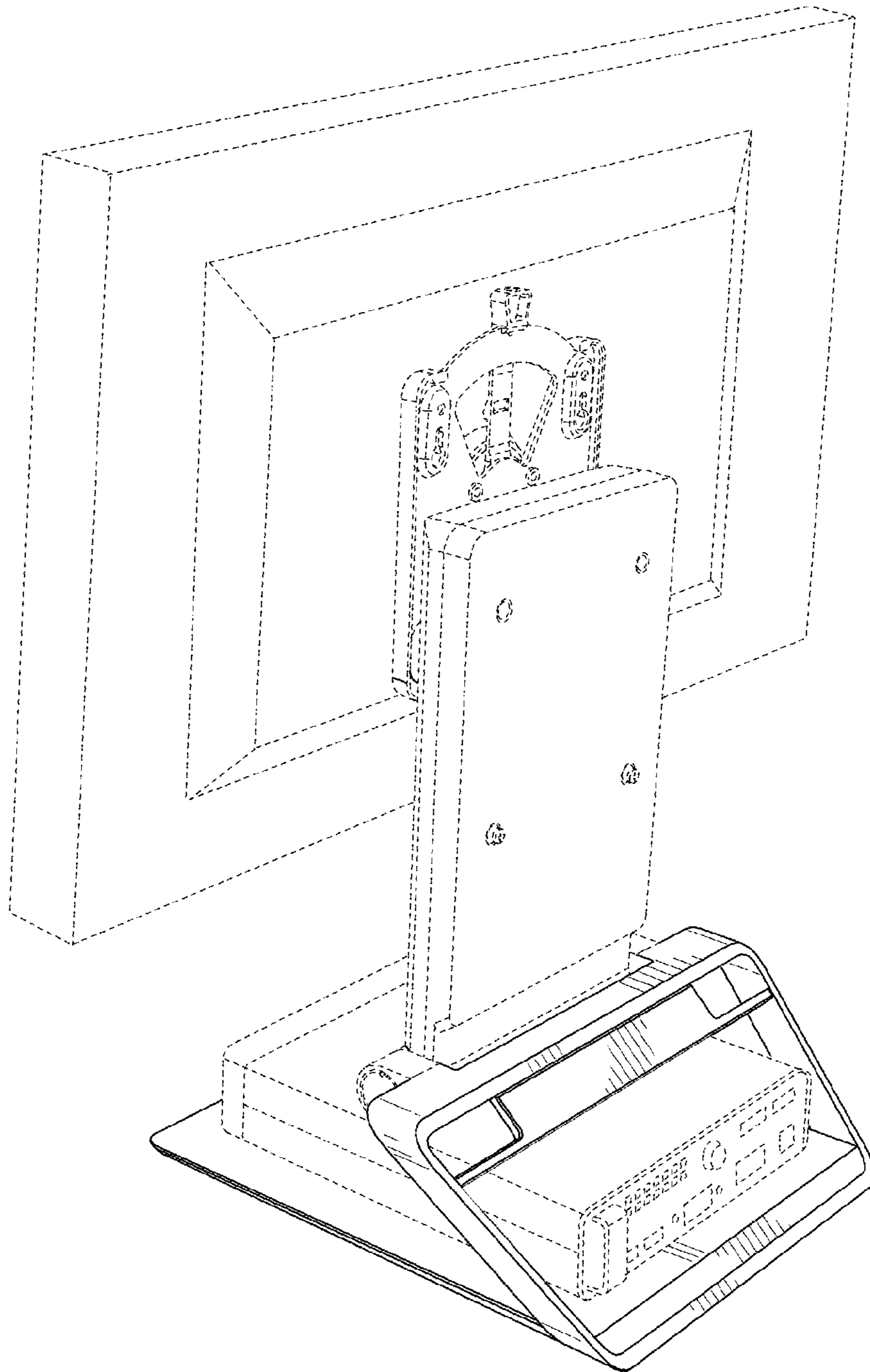


FIG. 10

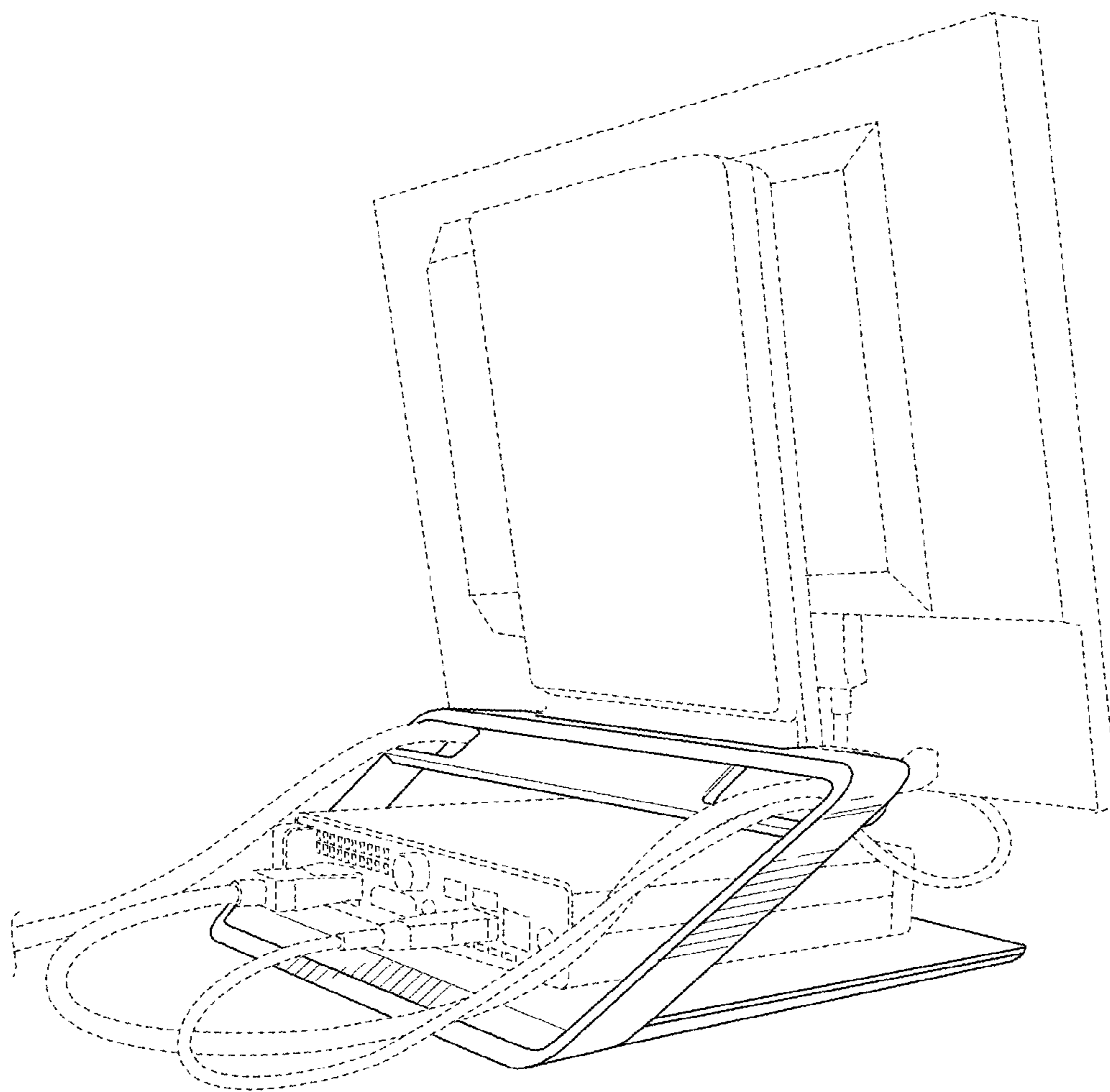


FIG. 11