



US00D714789S

(12) **United States Design Patent**  
**Chen et al.**

(10) **Patent No.:** **US D714,789 S**  
(45) **Date of Patent:** **\*\* Oct. 7, 2014**

(54) **HOUSING OF SOLID STATE DRIVE**

(56) **References Cited**

(71) Applicant: **CompTake Technology Inc.**, New Taipei (TW)

U.S. PATENT DOCUMENTS

(72) Inventors: **Wei-Hau Chen**, New Taipei (TW);  
**Chia-Yuan Ku**, New Taipei (TW);  
**Chen-Fong Lin**, New Taipei (TW)

7,685,363 B2 \* 3/2010 Lin et al. .... 711/115  
2014/0063724 A1 \* 3/2014 Chen et al. .... 361/679.33  
2014/0063725 A1 \* 3/2014 Chen et al. .... 361/679.33  
2014/0104779 A1 \* 4/2014 Yang et al. .... 361/679.33

(73) Assignee: **CompTake Technology Inc.**, New Taipei (TW)

OTHER PUBLICATIONS

(\*\*) Term: **14 Years**

Solid State Drive (SSD) Casing [online]. Blue Core Heatsinks, 2014 [retrieved on Jun. 24, 2014]. Retrieved from the Internet: <URL: <http://www.bluecoreheatsinks.com/products/solid-state-drive-ssd-casing>>.\*

(21) Appl. No.: **29/444,841**

\* cited by examiner

(22) Filed: **Feb. 4, 2013**

*Primary Examiner* — Richard E Chilcot

(51) **LOC (10) CI.** ..... **14-02**

(74) *Attorney, Agent, or Firm* — Chun-Ming Shih; HDLS IPR Services

(52) **U.S. CI.**

USPC ..... **D14/435**; D14/432

(57) **CLAIM**

(58) **Field of Classification Search**

USPC ..... 2/DIG. 6; 5/417, 419–420, 465, 5/632–634; 108/43; 248/118, 118.1, 248/118.3, 118.5, 205.2, 346, 346.01, 248/346.07, 346.1, 438, 633, 918; 273/338, 273/438, DIG. 30; 297/218.1, 228.12, 352, 297/377, 440.1, 440.11, 440.15, 452.1, 297/452.16; 312/208.1–208.4, 223.2, 322; 340/710; 345/163, 173; 360/69, 97.02; 361/679.33–679.45; 400/412, 400/713–715; 428/137–138, 140, 304.4, 428/457; 442/9; D3/273; D6/201, 204, D6/429–431, 449, 474, 509–510; D9/432; D10/65, 75, 78; D13/103, 119, 162, D13/184, 199; D14/110, 114, 125, 240, D14/242, 299–302, 314, 348–370, 435, D14/496; D18/1, 7, 9, 11

The ornamental design for a housing of a solid state drive, as shown and described.

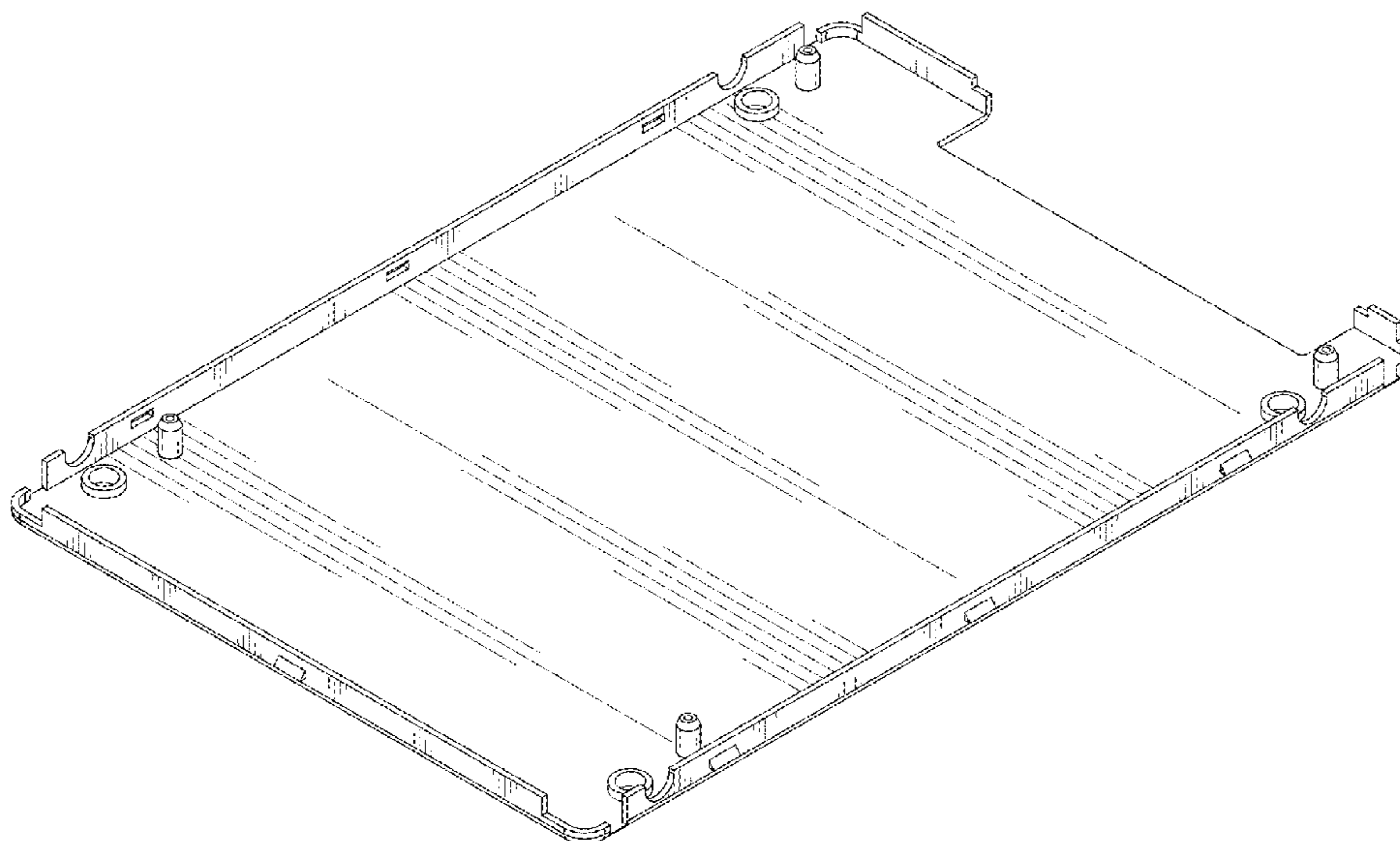
**DESCRIPTION**

FIG. 1 is a perspective view of a housing of a solid state drive showing my new design;  
FIG. 2 is a front view thereof;  
FIG. 3 is a rear view thereof;  
FIG. 4 is a left side view thereof;  
FIG. 5 is a right side view thereof;  
FIG. 6 is a top view thereof;  
FIG. 7 is a bottom view thereof; and,  
FIG. 8 is a perspective view showing the housing of a solid state drive in use.

The broken lines shown represent unclaimed subject matter and form no part of the claimed design.

See application file for complete search history.

**1 Claim, 6 Drawing Sheets**



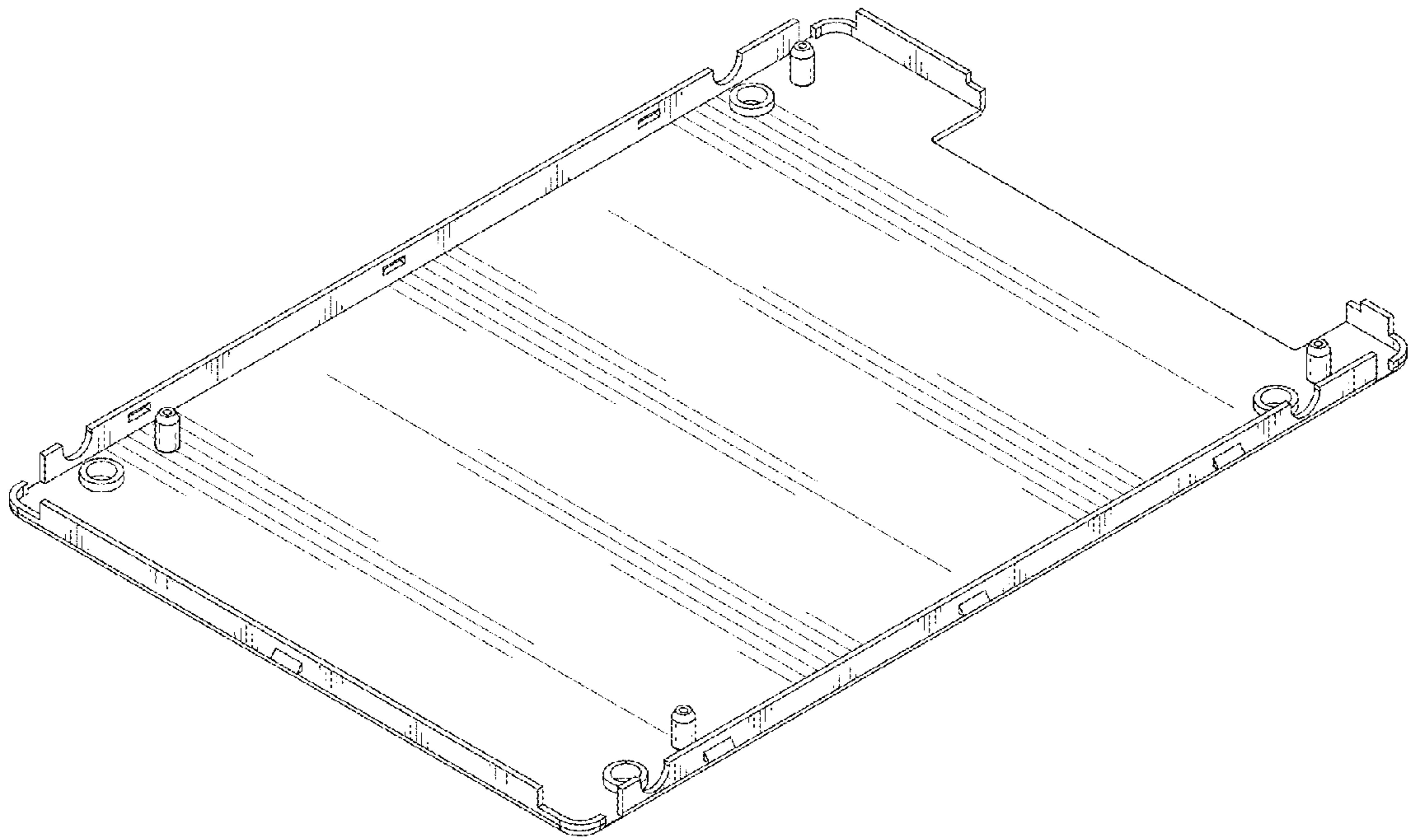


FIG. 1

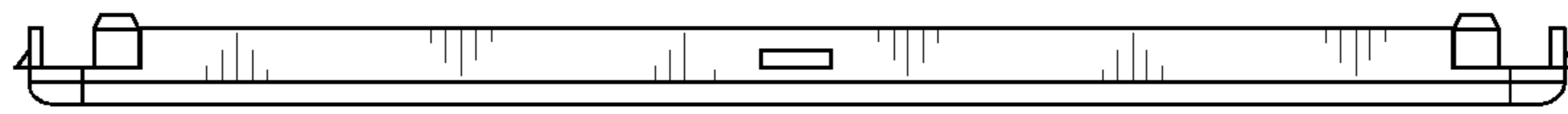


FIG. 2

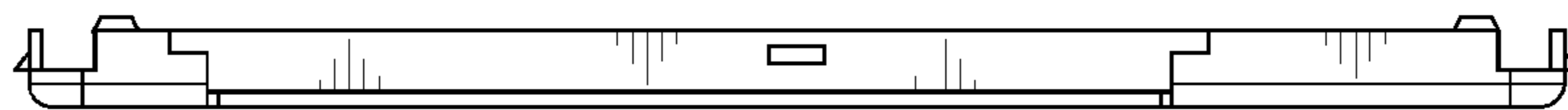


FIG. 3

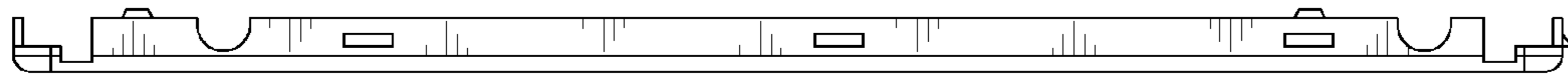


FIG.4

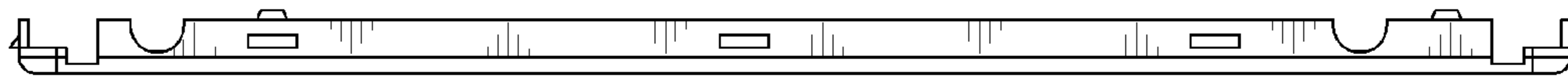


FIG.5

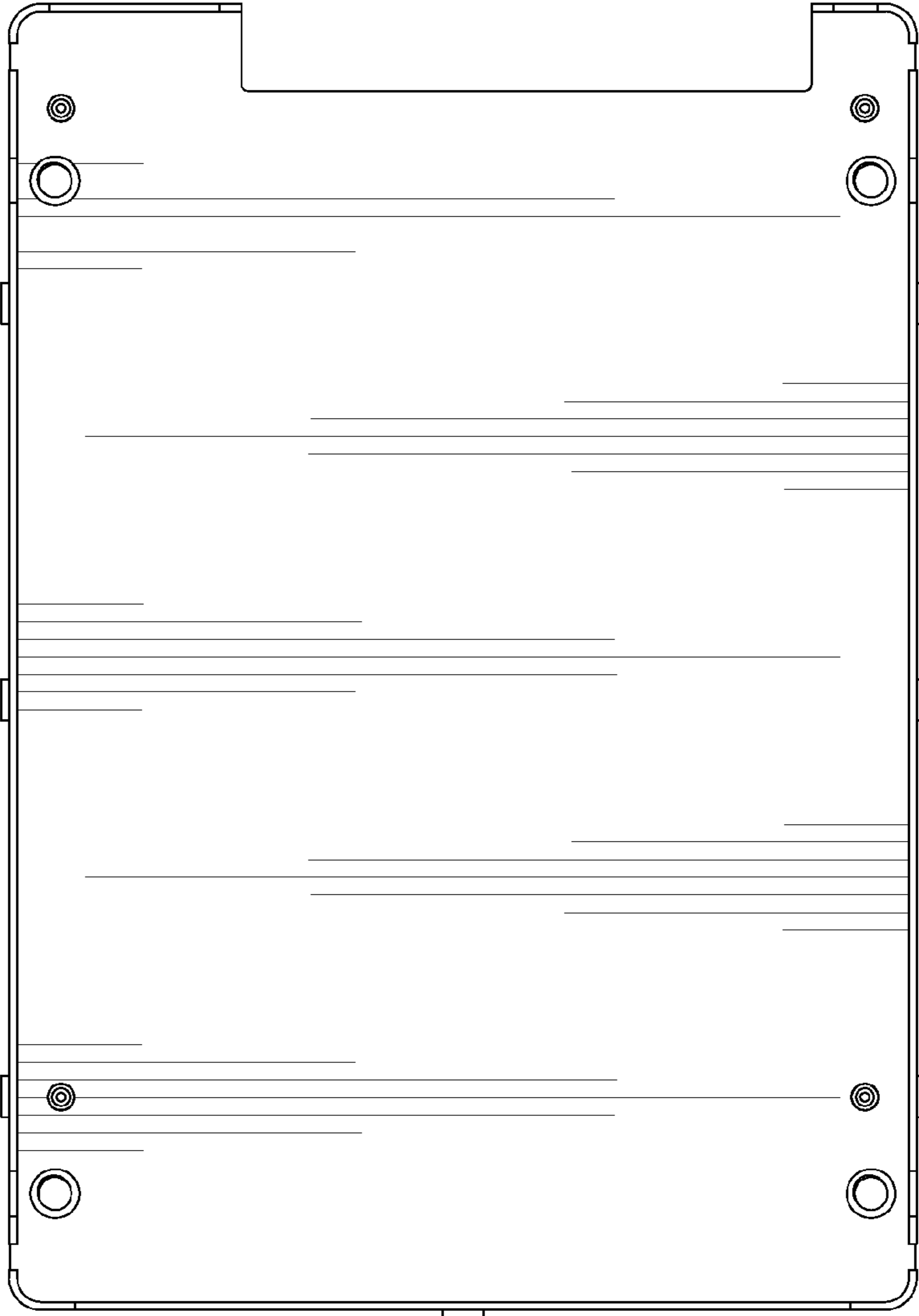


FIG.6

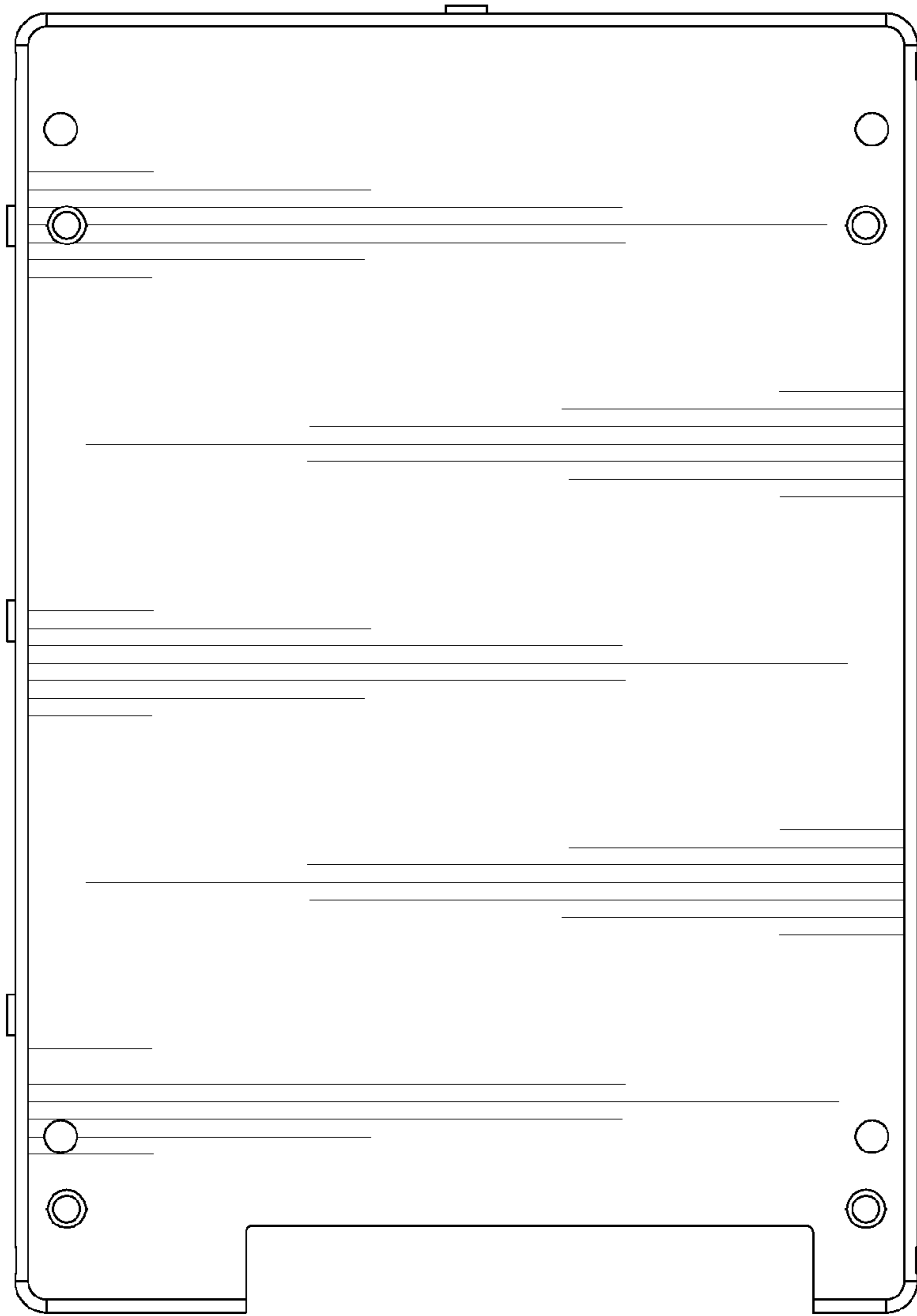


FIG.7

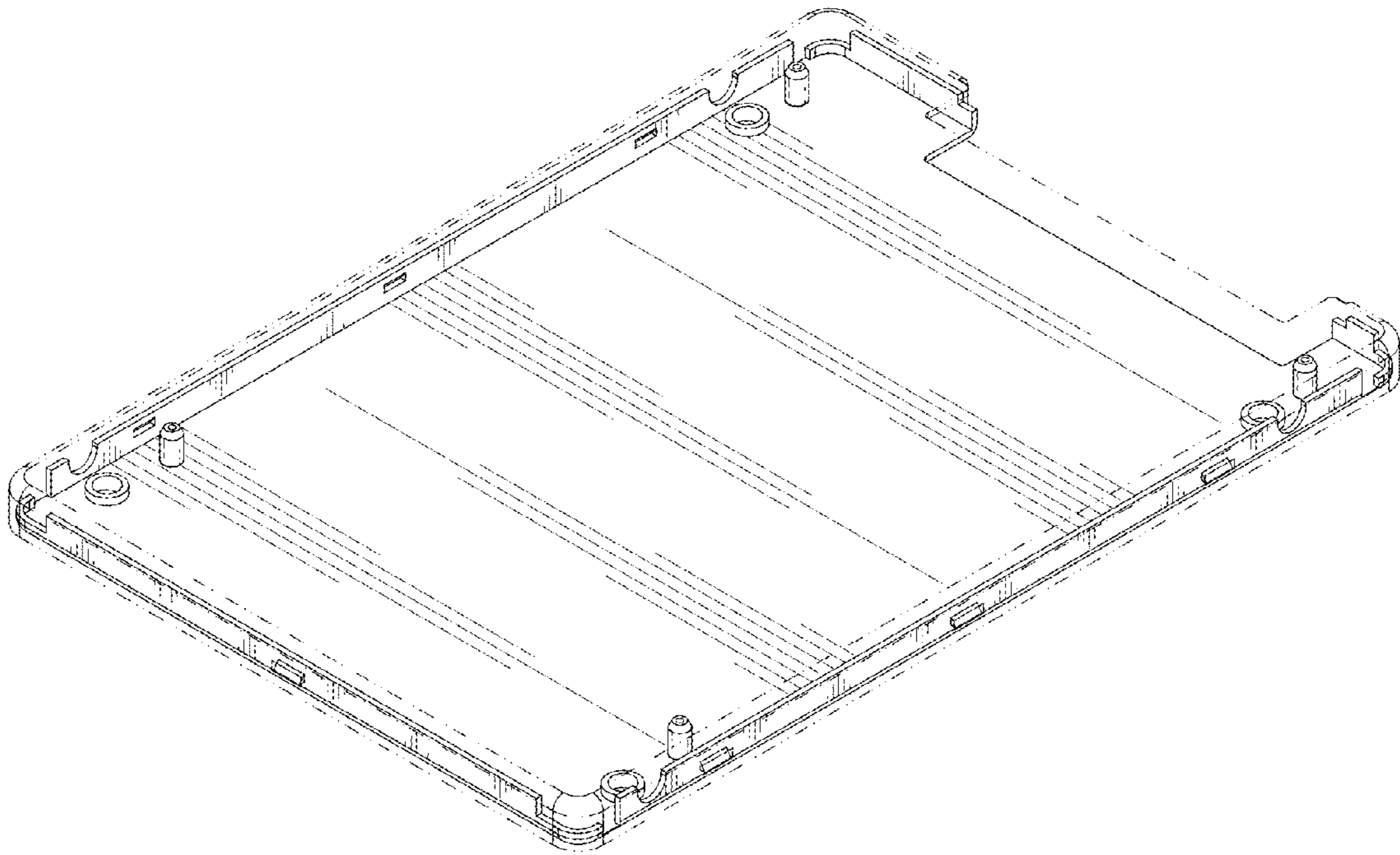


FIG.8