



US00D714788S

(12) **United States Design Patent**  
**Haller et al.**

(10) **Patent No.:** **US D714,788 S**

(45) **Date of Patent:** **\*\* Oct. 7, 2014**

(54) **CRADLE**

(71) Applicant: **Elo Touch Solutions, Inc.**, Menlo Park, CA (US)

(72) Inventors: **Jeffrey T. Haller**, Redwood City, CA (US); **Yung Tseng Chen**, San Francisco, CA (US); **Kelly Kodama**, Walnut Creek, CA (US); **Julian Peck**, San Rafael, CA (US)

(73) Assignee: **Elo Touch Solutions, Inc.**, Menlo Park, CA (US)

(\*\*) Term: **14 Years**

(21) Appl. No.: **29/441,655**

(22) Filed: **Jan. 8, 2013**

(51) **LOC (10) Cl.** ..... **14-02**

(52) **U.S. Cl.**  
USPC ..... **D14/434**

(58) **Field of Classification Search**  
CPC ..... G06F 1/1632; G06F 1/1626; G06F 1/181;  
G06F 21/88; G06F 1/26; H04B 1/3827  
USPC ..... D13/107-110, 118-119, 138.1, 199;  
D14/252, 432, 434, 224.1, 447;  
320/114, 115  
See application file for complete search history.

(56) **References Cited**

**U.S. PATENT DOCUMENTS**

D457,162 S \* 5/2002 Hawkins et al. .... D14/434  
D552,611 S \* 10/2007 Hagiwara et al. .... D14/434  
D580,856 S \* 11/2008 Haspil et al. .... D13/108

D637,194 S \* 5/2011 Kuroda et al. .... D14/447  
D639,813 S \* 6/2011 Kuroda et al. .... D14/447  
D642,121 S \* 7/2011 Lee et al. .... D13/108  
D642,519 S \* 8/2011 Woo et al. .... D13/108

\* cited by examiner

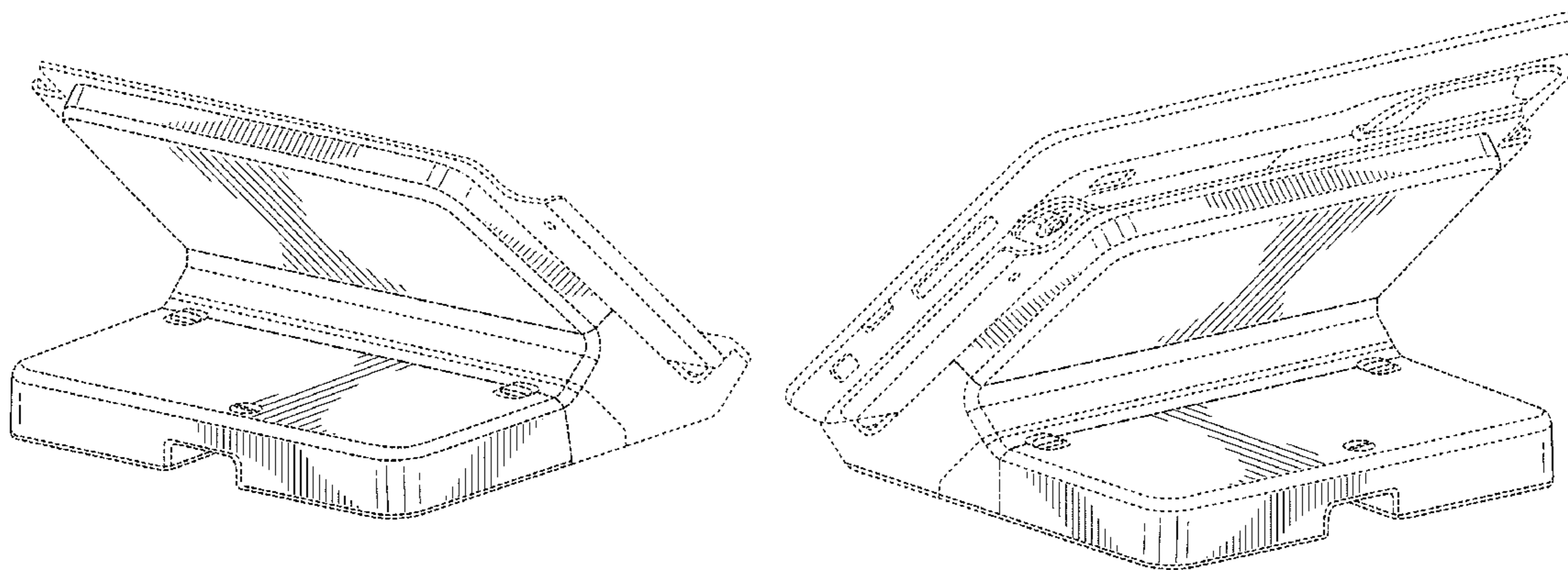
*Primary Examiner* — Deanna L Pratt  
*Assistant Examiner* — Harold Blackwell, II  
(74) *Attorney, Agent, or Firm* — Alston & Bird LLP

(57) **CLAIM**  
We claim the ornamental design for a cradle, as shown and described.

**DESCRIPTION**

FIG. 1 is a perspective view of a cradle showing our new design;  
FIG. 2 is another perspective view thereof;  
FIG. 3 is a front elevation view thereof;  
FIG. 4 is a rear elevation view thereof;  
FIG. 5 is a right side elevation view thereof;  
FIG. 6 is a left side elevation view thereof;  
FIG. 7 is yet another perspective view thereof, shown in a use configuration with a tablet;  
FIG. 8 is yet another perspective view thereof;  
FIG. 9 is a front elevation view thereof;  
FIG. 10 is a rear elevation view thereof;  
FIG. 11 is a right side elevation view thereof; and,  
FIG. 12 is a left side elevation view thereof.  
Broken lines immediately adjacent shaded areas represent bounds of the claimed design. The broken lines of the tablet are directed to environment and are for illustrative purposes only. All other broken lines are directed to unclaimed features. The broken lines form no part of the claimed design.

**1 Claim, 10 Drawing Sheets**



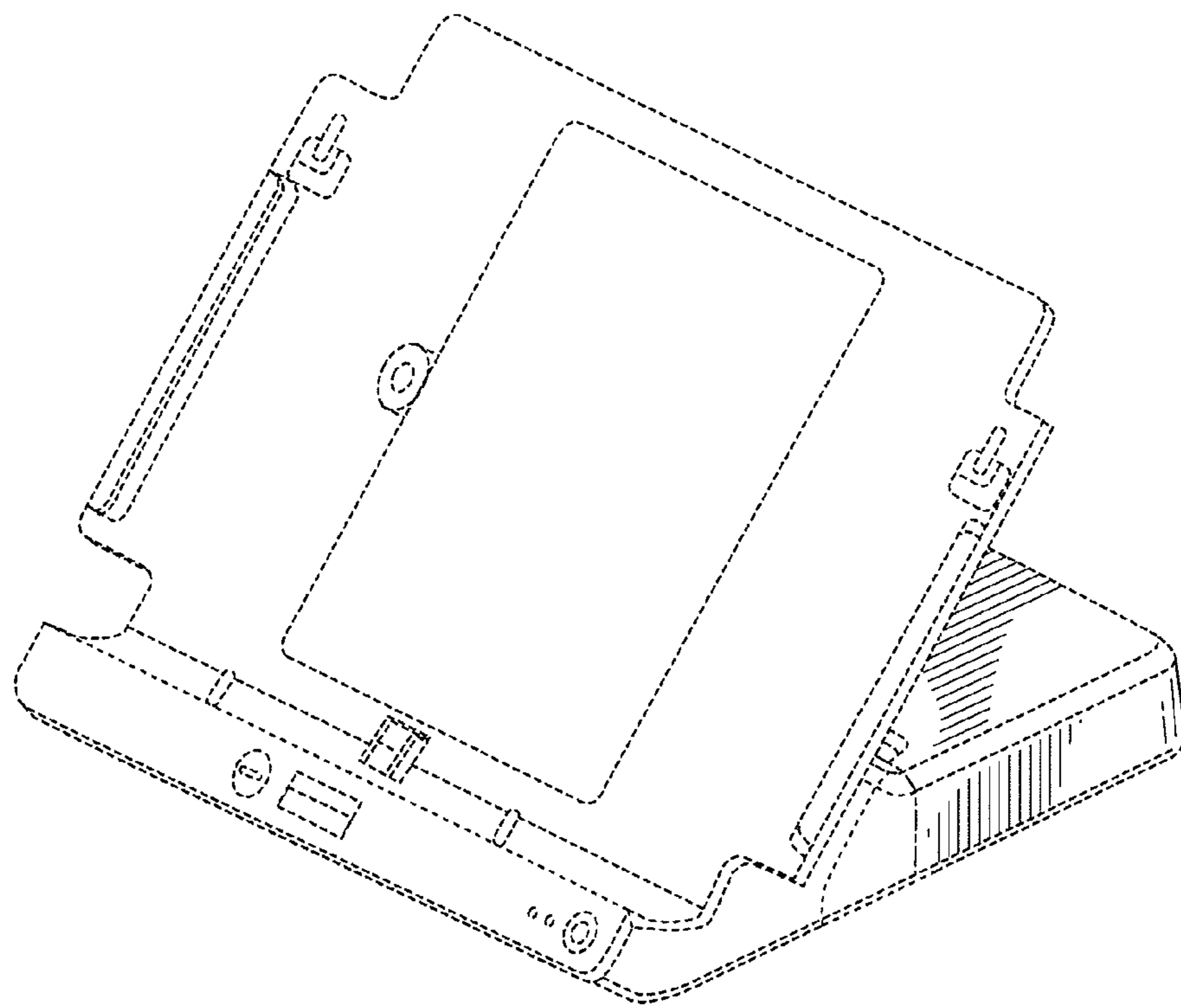


FIG. 1

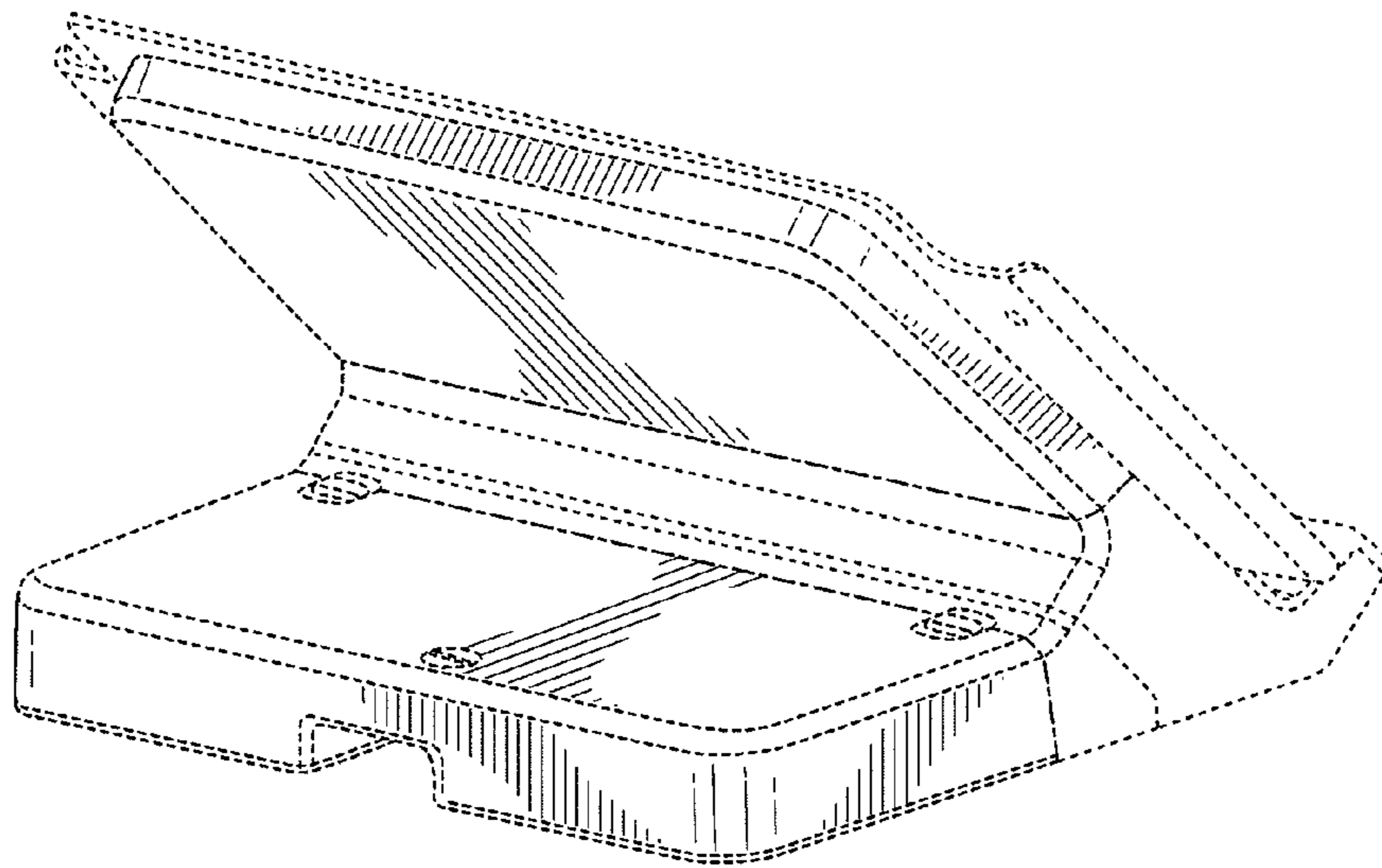
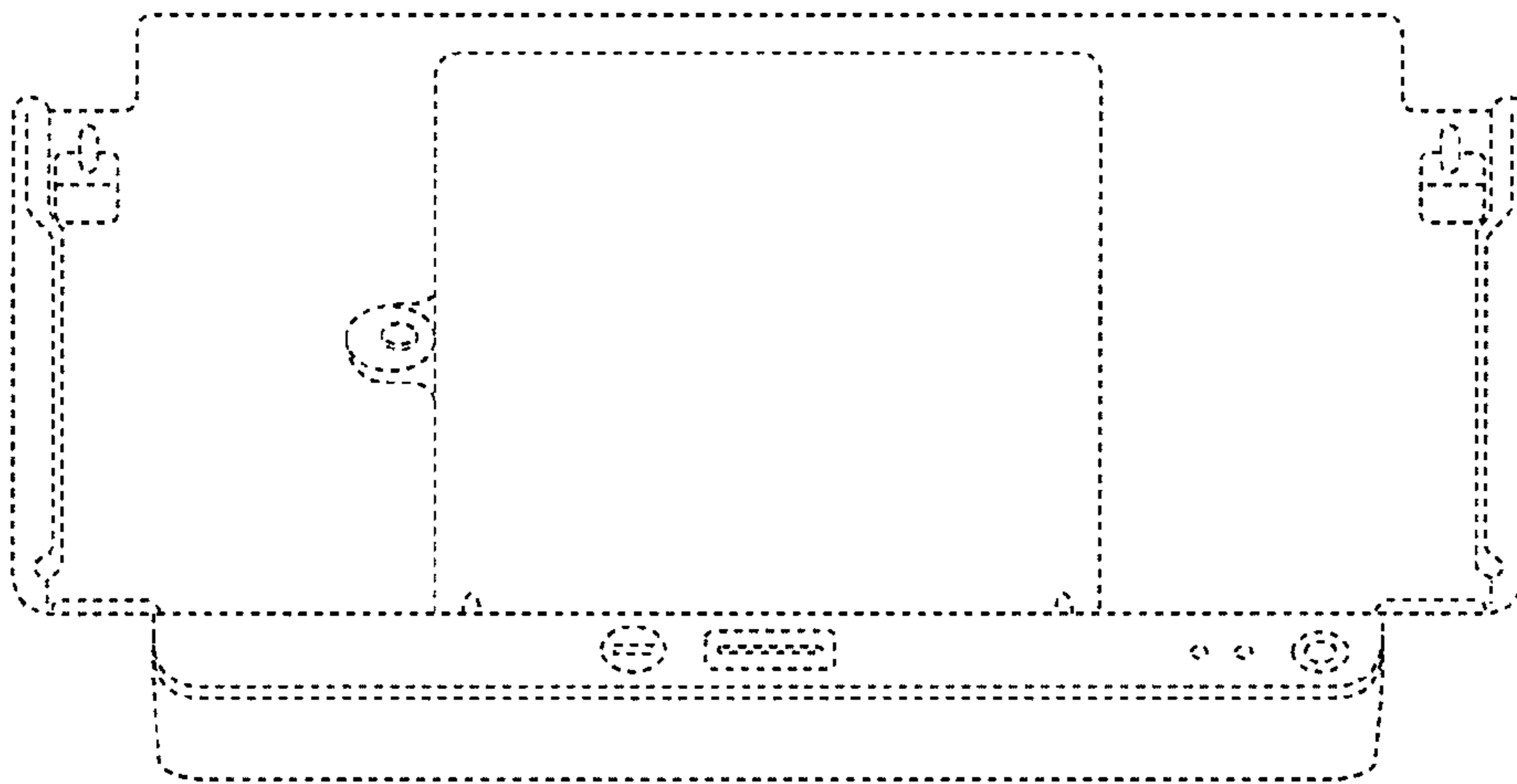
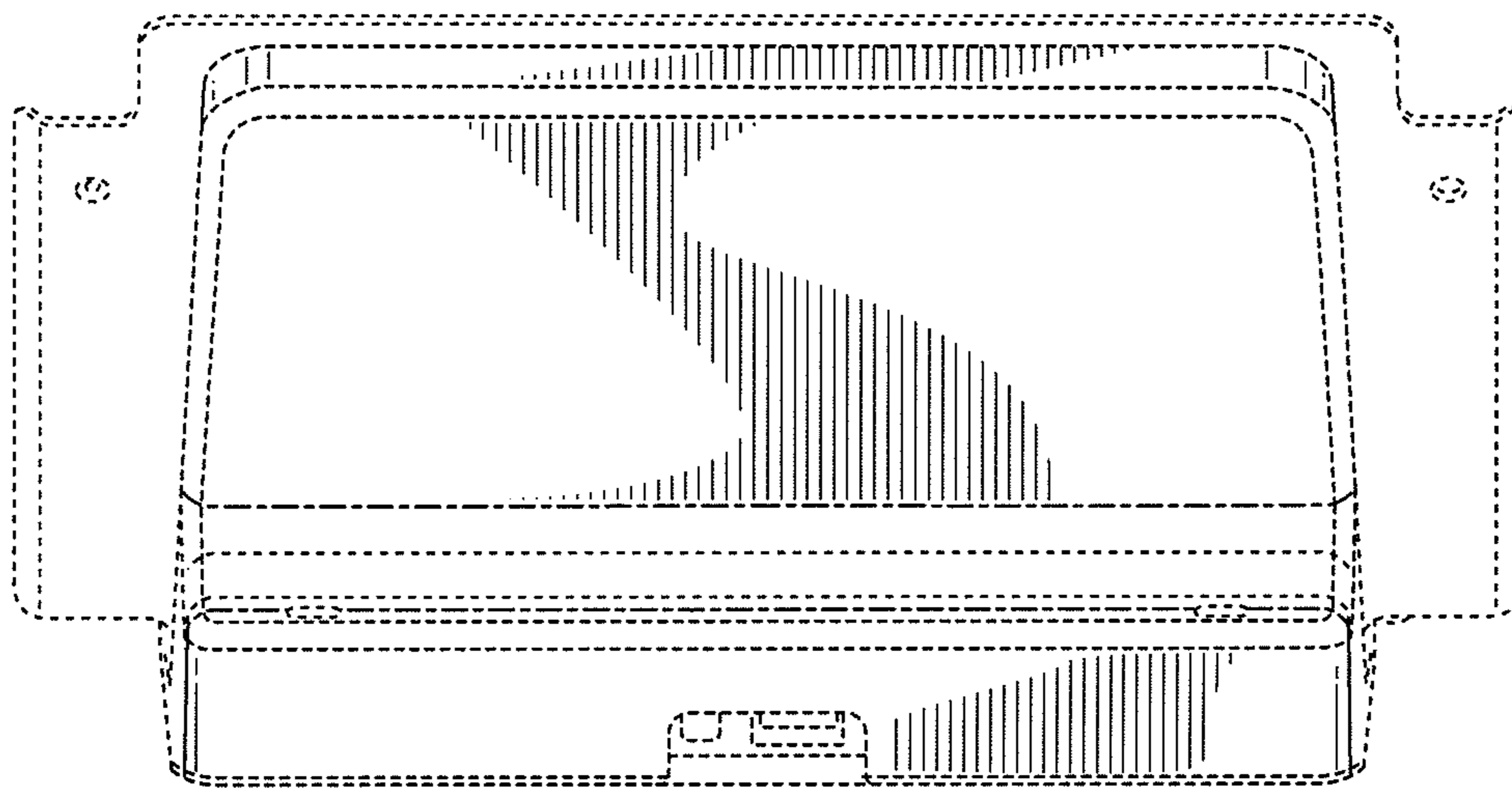


FIG. 2



**FIG. 3**



**FIG. 4**

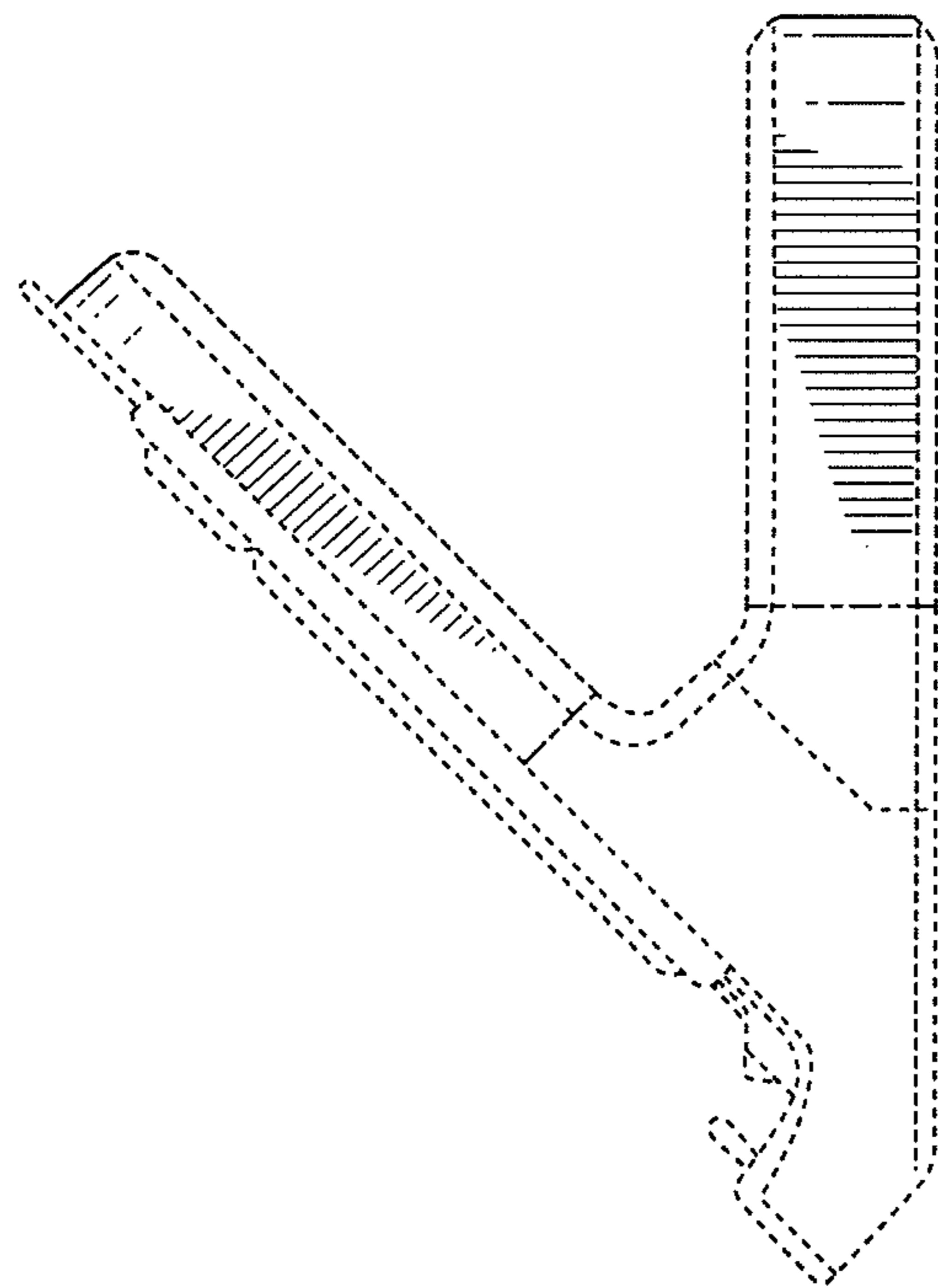


FIG. 5

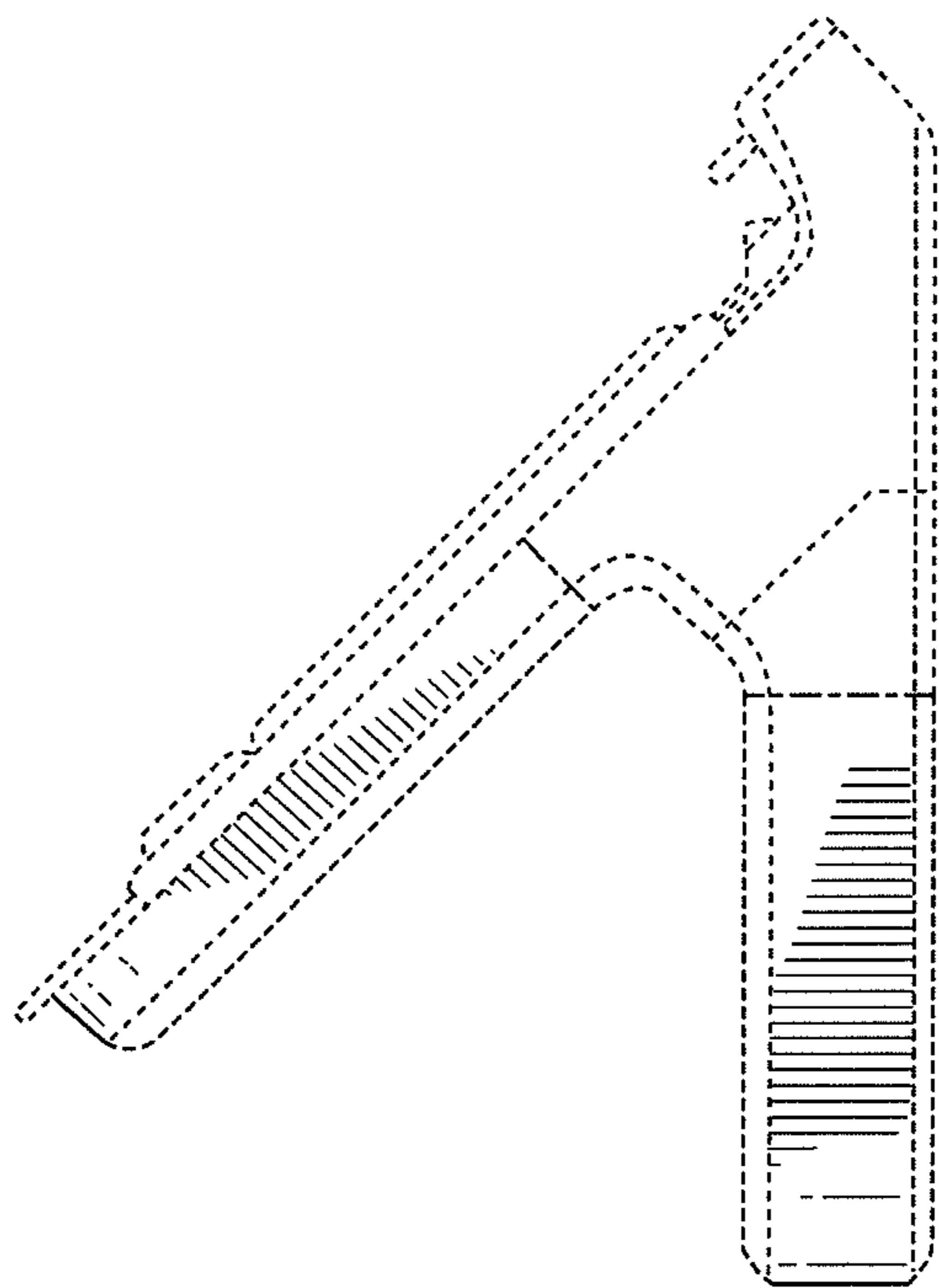


FIG. 6

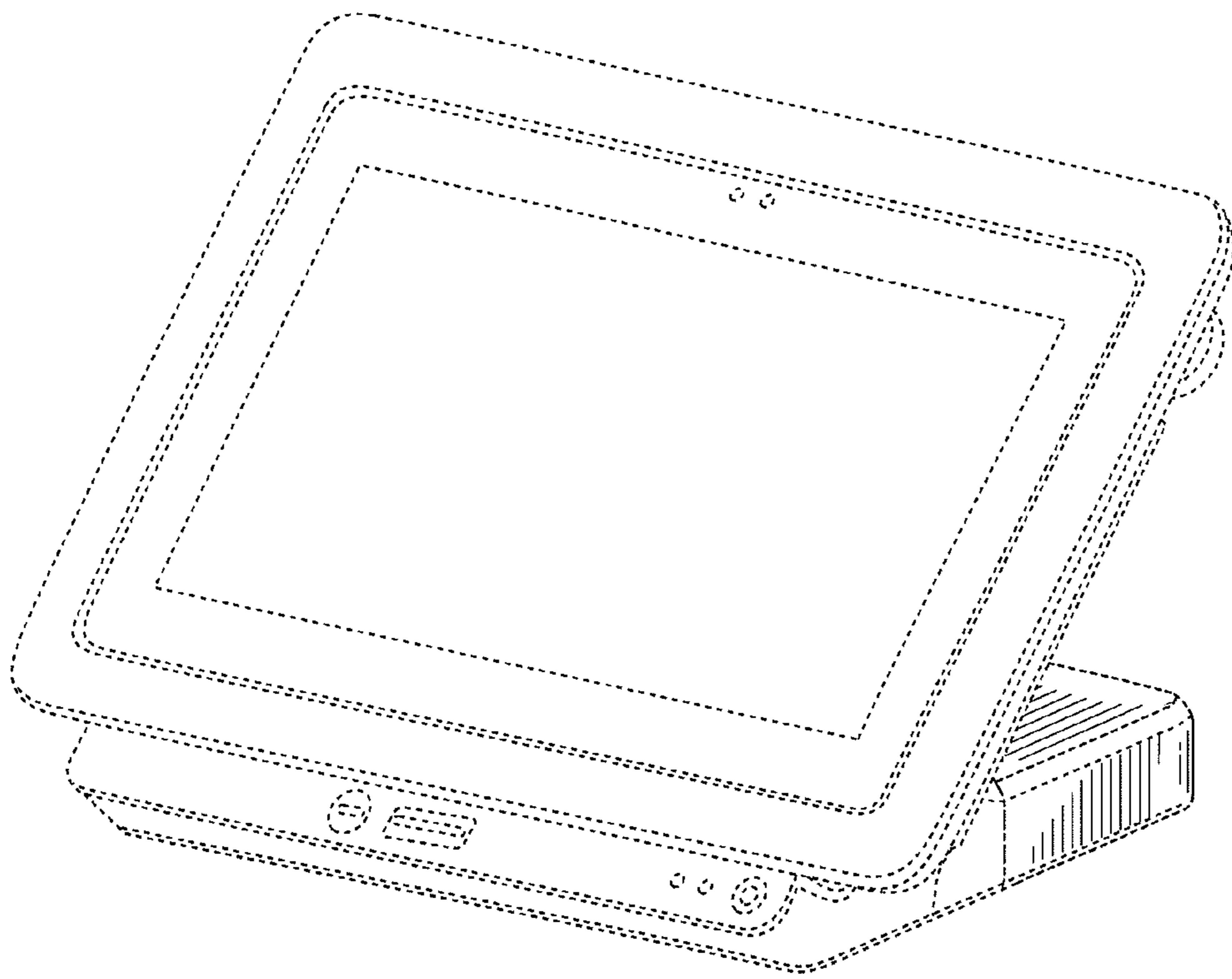
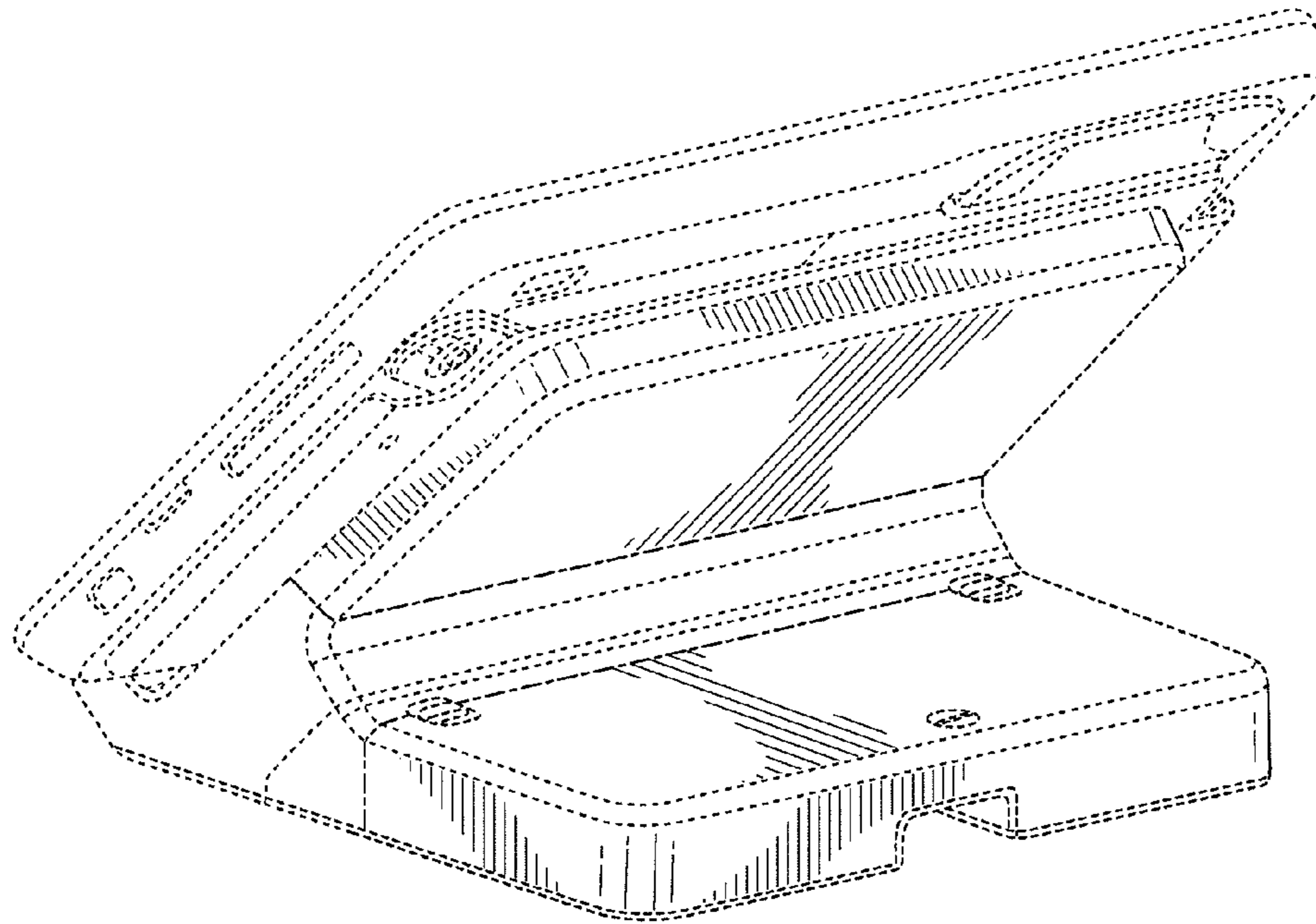


FIG. 7



**FIG. 8**



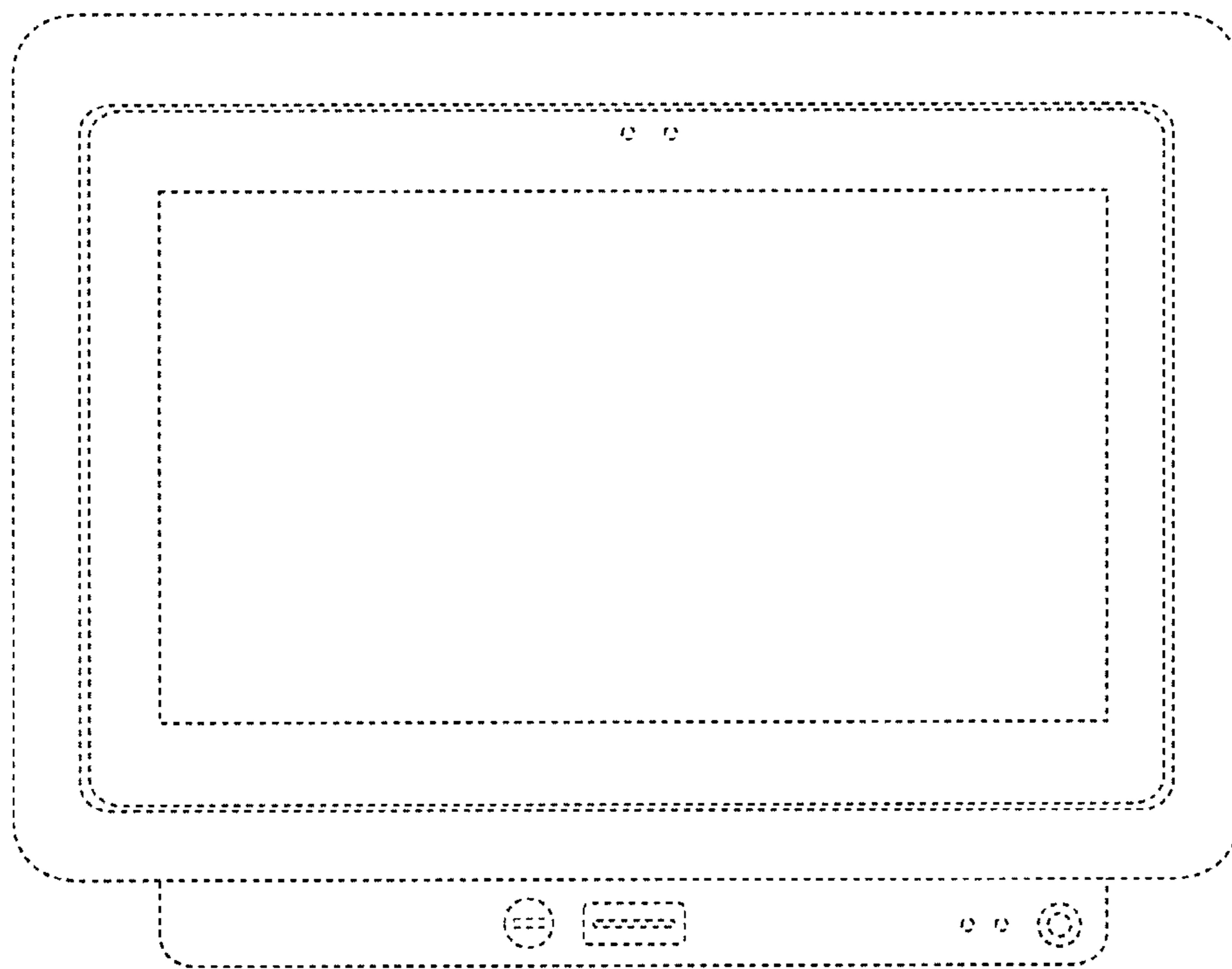
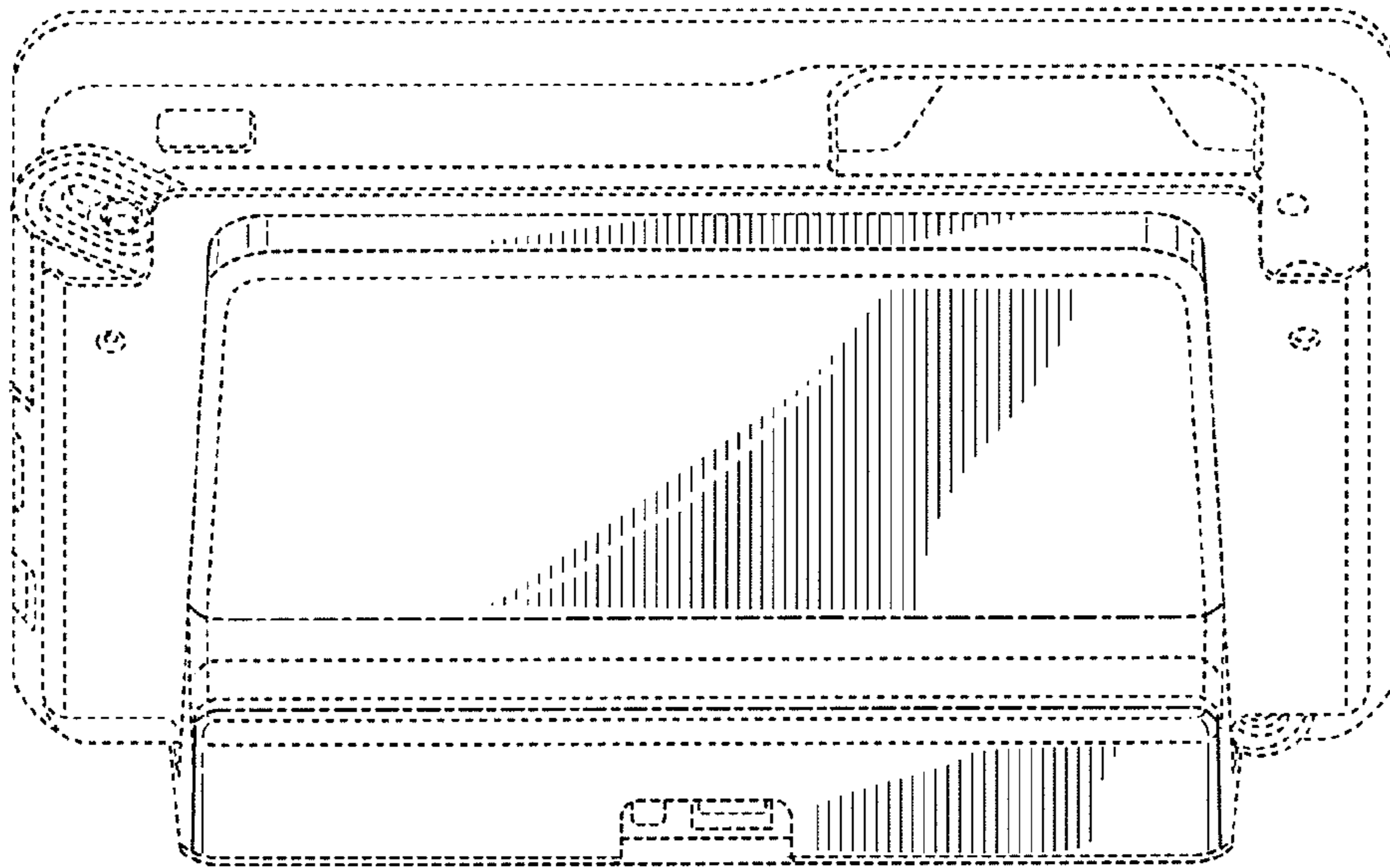


FIG. 9



**FIG. 10**

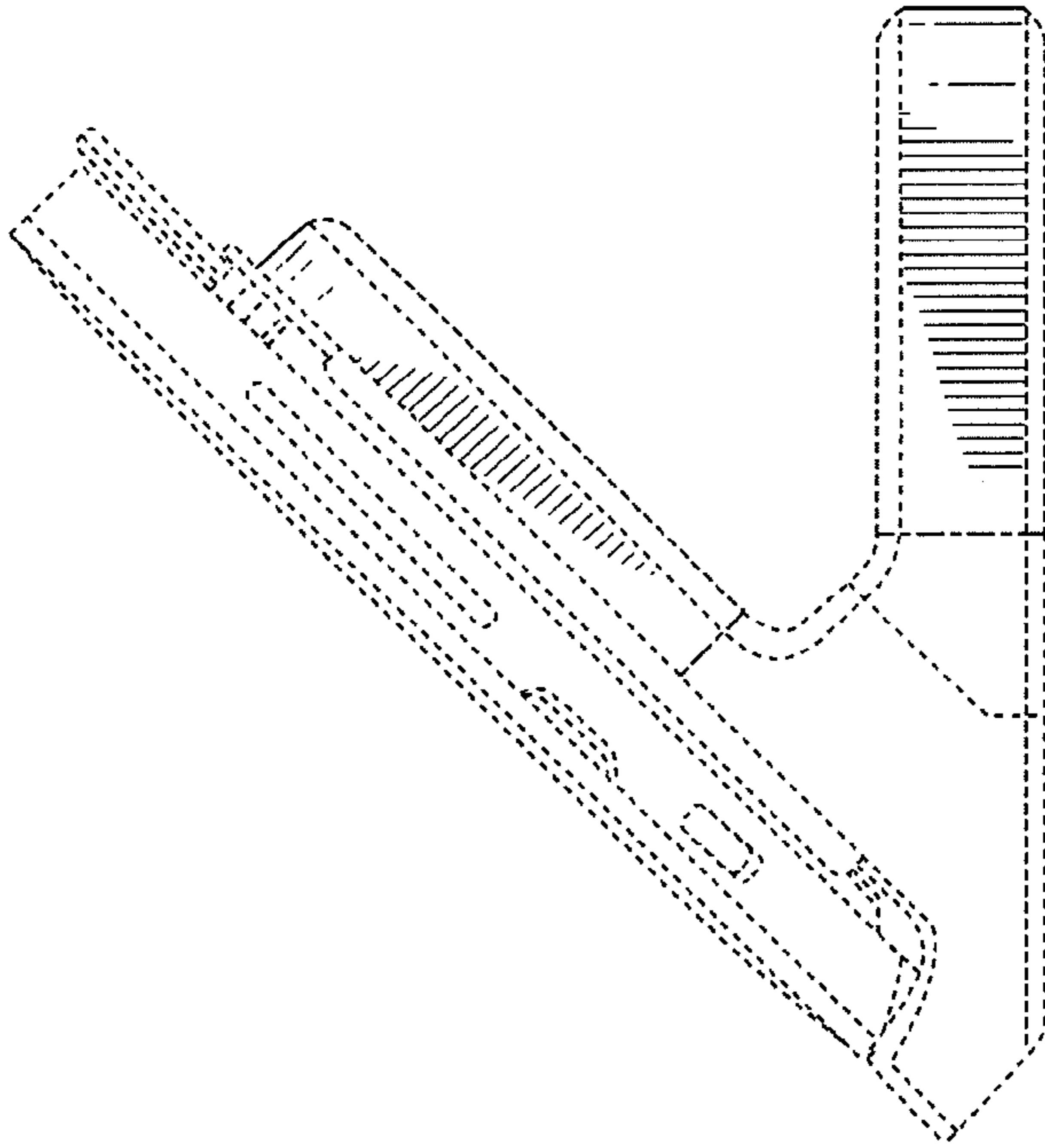


FIG. 12

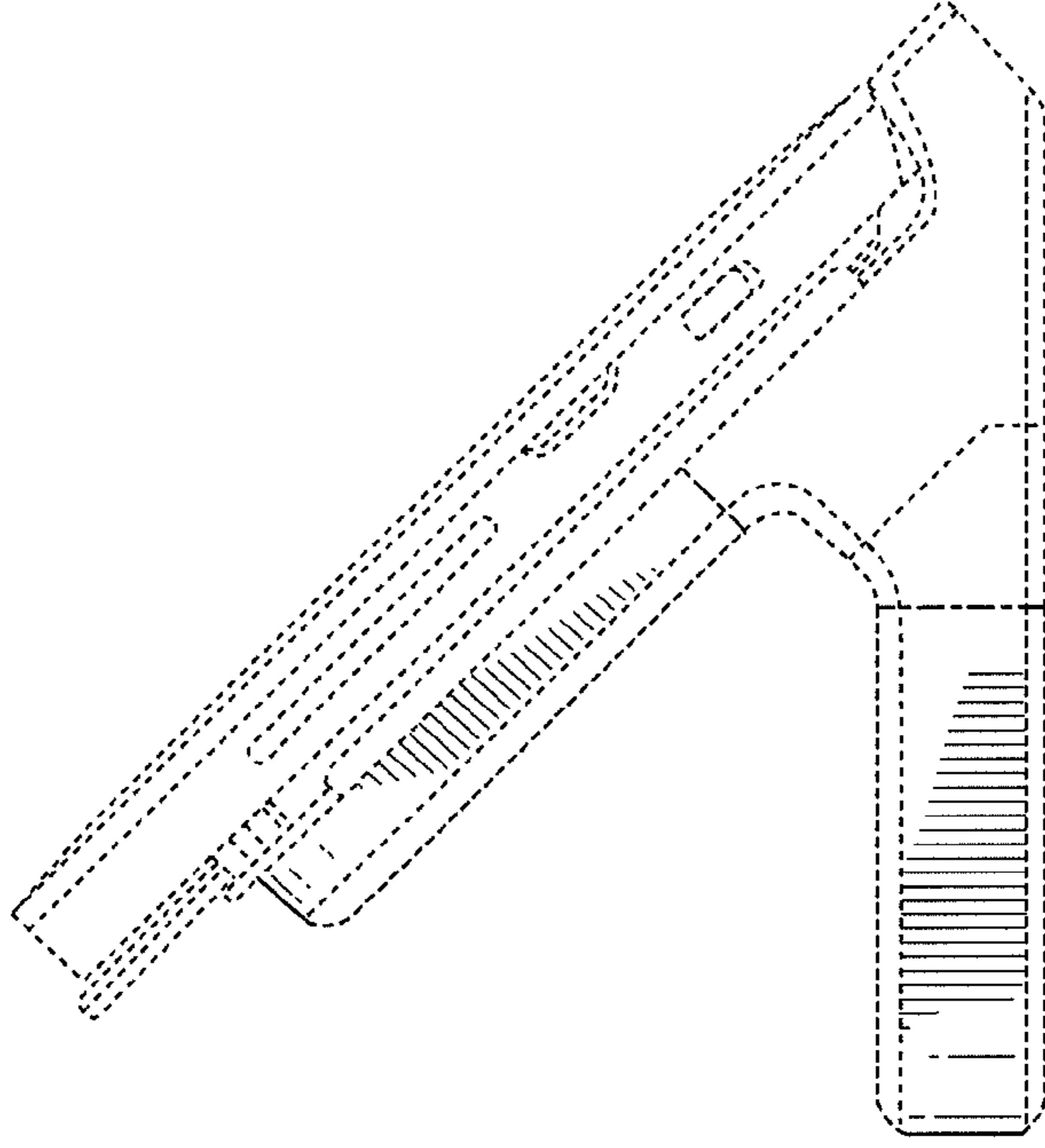


FIG. 17