



US00D714787S

(12) **United States Design Patent**
Matsuoka

(10) **Patent No.:** **US D714,787 S**
(45) **Date of Patent:** **** Oct. 7, 2014**

- (54) **HANDHELD DEVICE**
- (71) Applicant: **hiku labs, inc**, San Jose, CA (US)
- (72) Inventor: **Yoshimichi Matsuoka**, Cupertino, CA (US)
- (73) Assignee: **Hiku Labs, Inc.**, San Jose, CA (US)
- (**) Term: **14 Years**
- (21) Appl. No.: **29/466,914**
- (22) Filed: **Sep. 12, 2013**
- (51) **LOC (10) Cl.** **14-02**
- (52) **U.S. Cl.**
USPC **D14/426**
- (58) **Field of Classification Search**
USPC D14/420, 426-430, 453; 235/462.01, 235/462.11, 462.43, 462.45, 462.49, 235/472.01, 385, 454; 382/313, 321, 318; 358/473; 250/215, 216; D26/37-50, D26/24; 362/157, 158, 171-174, 183-208
See application file for complete search history.

D300,322	S	*	3/1989	Lam	D14/189
D315,562	S	*	3/1991	Brown	D14/213
D327,690	S	*	7/1992	Ogawa et al.	D14/230
5,229,590	A	*	7/1993	Harden et al.	235/462.45
5,243,430	A	*	9/1993	Emmons	348/734
D346,598	S	*	5/1994	McCay et al.	D14/137
D347,485	S	*	5/1994	Kira	D26/67
D350,735	S	*	9/1994	Karlin et al.	D14/426
D352,915	S	*	11/1994	Wang	D10/114.8
D352,938	S	*	11/1994	Karlin	D14/426
D367,274	S	*	2/1996	Gobindram	D14/149
D368,987	S	*	4/1996	Boucheron	D28/78
D372,234	S	*	7/1996	LaManna et al.	D14/427
D372,356	S	*	8/1996	Marguerite	D3/209
D375,909	S	*	11/1996	Dziersk et al.	D10/106.1
D376,547	S	*	12/1996	McRae	D10/78
D377,346	S	*	1/1997	Karlin	D14/426
D382,255	S	*	8/1997	Moffatt	D14/358
D382,823	S	*	8/1997	Newland et al.	D10/106.5
5,700,150	A	*	12/1997	Morin	439/4
D391,250	S	*	2/1998	Swift et al.	D14/427
D391,943	S	*	3/1998	Han	D14/356

(Continued)

Primary Examiner — Susan Moon Lee
(74) Attorney, Agent, or Firm — Fenwick & West LLP

(57) **CLAIM**
The ornamental design for a handheld device, as shown and described.

(56) **References Cited**

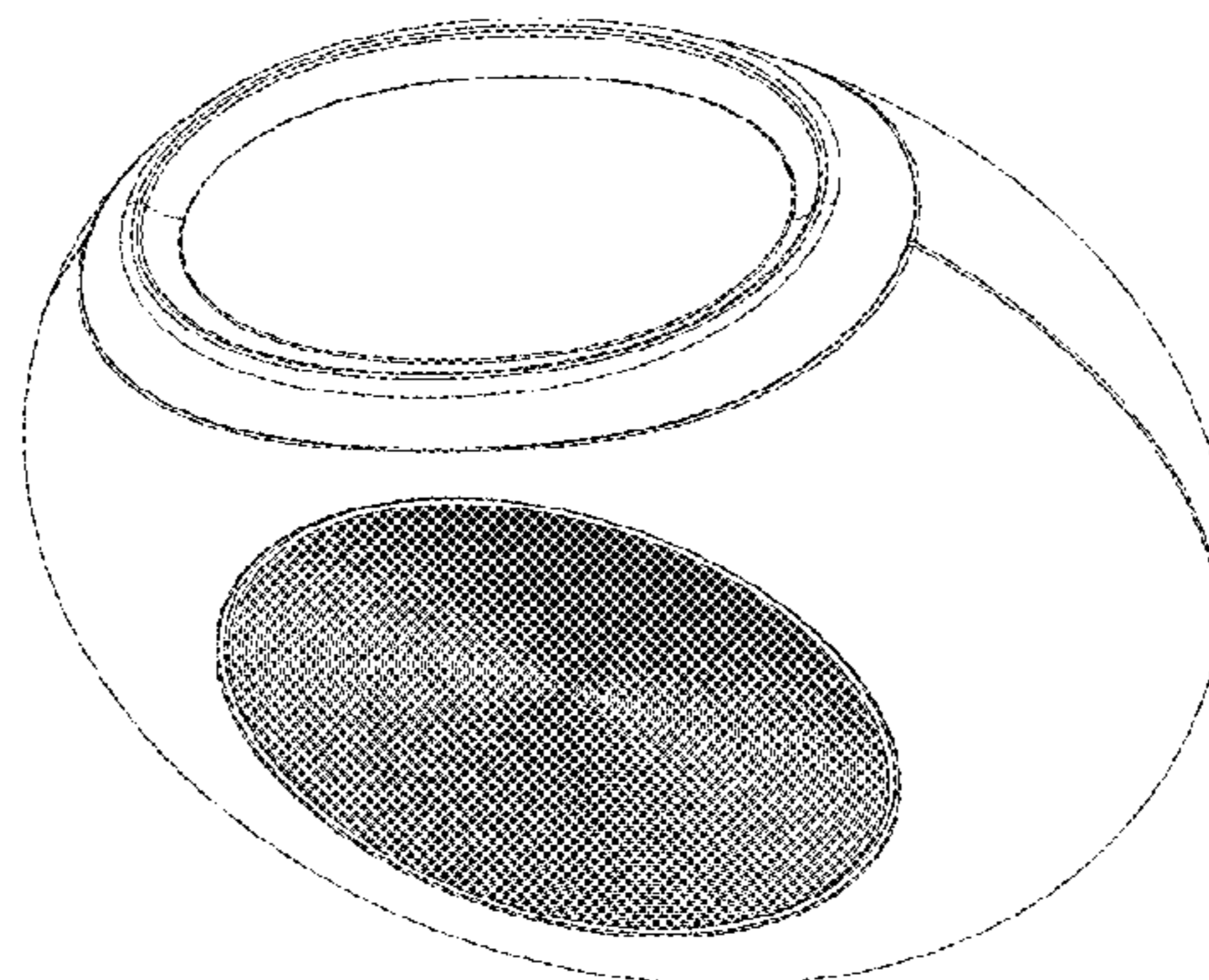
U.S. PATENT DOCUMENTS

D112,999	S	*	1/1939	Hutchison, Jr.	D16/238
D129,626	S	*	9/1941	Stiller	D3/207
3,048,526	A	*	8/1962	Boswell	424/472
D195,966	S	*	8/1963	Spilman	D14/225
D197,466	S	*	2/1964	Spilman	D14/225
D217,065	S	*	3/1970	Gugelot et al.	D26/37
D220,105	S	*	3/1971	Small	D14/300
D222,500	S	*	10/1971	Gugelot	D26/37
D232,863	S	*	9/1974	Tong	D14/192
4,078,661	A	*	3/1978	Thomas	206/533
D258,068	S	*	1/1981	Ostrom	D17/5
D274,048	S	*	5/1984	Wong et al.	D10/106.1
D282,380	S	*	1/1986	King	D19/75
D289,920	S	*	5/1987	O'Neil, Jr.	D23/366

DESCRIPTION

FIG. 1 is top perspective view of a handheld device;
FIG. 2 is a bottom perspective view thereof;
FIG. 3 is a front perspective view thereof;
FIG. 4 is another front perspective view thereof;
FIG. 5 is a front elevation view thereof;
FIG. 6 is a left side elevation view thereof;
FIG. 7 is a right side elevation view thereof;
FIG. 8 is a bottom view thereof;
FIG. 9 is a top plan view thereof; and,
FIG. 10 is a rear elevation view thereof.

1 Claim, 10 Drawing Sheets



(56)

References Cited

U.S. PATENT DOCUMENTS

- D391,944 S * 3/1998 Han D14/356
D396,852 S * 8/1998 Chao D14/358
D398,659 S * 9/1998 Yokoi D21/333
D406,118 S * 2/1999 Koivisto D14/385
D409,510 S * 5/1999 McDonald D10/104.1
D414,476 S * 9/1999 Hibino D14/358
D417,452 S * 12/1999 Wu D14/192
D418,125 S * 12/1999 Jobs et al. D14/408
D427,996 S * 7/2000 Heiligenstein et al. D14/230
D430,546 S * 9/2000 Gibson D14/137
D433,994 S * 11/2000 Jobs et al. D13/110
D434,764 S * 12/2000 Norrlund D14/384
D439,579 S * 3/2001 Auclair et al. D14/385
D443,590 S * 6/2001 Vende D13/137.4
D444,777 S * 7/2001 Bird et al. D14/150
D444,784 S * 7/2001 Hsin D14/385
D448,505 S * 9/2001 Dalton et al. D26/37
D453,514 S * 2/2002 Elam et al. D14/420
D455,854 S * 4/2002 Smith D26/37
D457,150 S * 5/2002 Chen D14/150
D458,263 S * 6/2002 Meksavan et al. D14/426
D459,725 S * 7/2002 Lee et al. D14/358
D460,491 S * 7/2002 Meyer et al. D21/324
D462,688 S * 9/2002 Schieffers et al. D14/427
D462,942 S * 9/2002 Murakami D14/509
D462,964 S * 9/2002 Croley et al. D14/427
D464,630 S * 10/2002 Woodworth D13/171
D471,539 S * 3/2003 Warner et al. D14/231
D473,516 S * 4/2003 Gresham et al. D13/139.4
D474,169 S * 5/2003 Fletcher D14/159
6,558,165 B1 * 5/2003 Curry et al. 434/236
D475,195 S * 6/2003 Christianson D3/209
D479,395 S * 9/2003 Westrich et al. D3/212
D481,357 S * 10/2003 Stekelenburg D13/139.8
D482,653 S * 11/2003 Cho D13/110
D482,672 S * 11/2003 Takagi D14/509
D483,506 S * 12/2003 Yen D26/37
D488,142 S * 4/2004 Wang et al. D14/138 AB
6,749,121 B2 * 6/2004 Connolly et al. 235/472.01
D494,633 S * 8/2004 Nussberger et al. D21/324
D495,075 S * 8/2004 Oas D26/37
D495,676 S * 9/2004 Slevin et al. D14/150
D499,719 S * 12/2004 Peersmann D14/243
6,836,676 B2 * 12/2004 Lloyd et al. 455/569.1
D503,692 S * 4/2005 Basta D13/184
D507,078 S * 7/2005 Greenfield D28/82
D512,060 S * 11/2005 Wang et al. D14/480.1
D512,718 S * 12/2005 Mori et al. D14/434
D514,095 S * 1/2006 Wilson et al. D14/223
D515,516 S * 2/2006 Mayo et al. D13/171
D519,918 S * 5/2006 Wilson et al. D13/103
7,044,302 B2 * 5/2006 Conley 206/538
D522,234 S * 6/2006 Murphy D3/209
D522,743 S * 6/2006 Lui D3/207
D522,995 S * 6/2006 Iijima D14/509
D524,295 S * 7/2006 Jacobson et al. D14/218
D526,736 S * 8/2006 Blackman D26/76
D527,008 S * 8/2006 Greenrod D14/420
7,128,213 B2 * 10/2006 Tung et al. 206/538
D537,072 S * 2/2007 Kim et al. D14/215
D542,273 S * 5/2007 Park et al. D14/215
D542,786 S * 5/2007 Karlsson et al. D14/302
D553,274 S * 10/2007 Hill et al. D26/37
D553,278 S * 10/2007 Moore D26/39
D553,355 S * 10/2007 Mosteller D3/247
D554,641 S * 11/2007 Miller et al. D14/427
D559,530 S * 1/2008 Bates et al. D3/207
D560,209 S * 1/2008 Kim et al. D14/215
D561,732 S * 2/2008 Motoishi D14/509
7,329,152 B2 * 2/2008 Mori et al. 439/638
D566,095 S * 4/2008 Davis D14/144
D568,304 S * 5/2008 Park D14/240
D572,170 S * 7/2008 Nielsen D11/207
D572,196 S * 7/2008 Rohlf D13/133
D576,612 S * 9/2008 Wilson et al. D14/228
D577,009 S * 9/2008 Wilson et al. D14/225
D578,128 S * 10/2008 Lee et al. D14/433
D580,939 S * 11/2008 Fitch et al. D14/420
D584,295 S * 1/2009 Kellar D14/228
D585,066 S * 1/2009 Morris et al. D14/427
D589,463 S * 3/2009 Sykes D13/169
D591,269 S * 4/2009 Kim et al. D14/216
D591,678 S * 5/2009 Whitley et al. D13/133
D594,148 S * 6/2009 Heselden D26/37
D595,262 S * 6/2009 Nousiainen D14/206
D596,159 S * 7/2009 Yamaji et al. D14/216
D596,514 S * 7/2009 Luzar et al. D10/65
D596,622 S * 7/2009 Lee D14/218
D597,514 S * 8/2009 Gencarella et al. D14/138 AC
D598,003 S * 8/2009 Park D14/149
D601,537 S * 10/2009 Wang et al. D14/138 R
D602,911 S * 10/2009 Wang et al. D14/216
D602,915 S * 10/2009 Song et al. D14/218
D602,916 S * 10/2009 Won et al. D14/218
D608,671 S * 1/2010 Treharne D10/106.5
D612,832 S * 3/2010 Li et al. D14/150
D612,853 S * 3/2010 Waterman D14/427
D616,032 S * 5/2010 Maraia D20/28
D617,459 S * 6/2010 Bogue D24/155
D626,963 S * 11/2010 Kim D14/420
D627,306 S * 11/2010 Charleux D13/168
D632,281 S * 2/2011 Hoehn et al. D14/218
D634,707 S * 3/2011 Hosler et al. D13/108
D636,760 S * 4/2011 Cheng D14/216
D638,001 S * 5/2011 Nakhjiri et al. D14/242
D642,722 S * 8/2011 Oberpriller D26/67
D643,833 S * 8/2011 Lee et al. D14/223
D645,818 S * 9/2011 Guccione et al. D13/108
D654,431 S * 2/2012 Stephanchick et al. D13/108
D656,130 S * 3/2012 Bailey D14/227
D660,732 S * 5/2012 Bould et al. D10/50
D677,438 S * 3/2013 Miller et al. D30/152
D678,285 S * 3/2013 Chen D14/433
D682,805 S * 5/2013 Rath D14/149
D683,636 S * 6/2013 Levanen D10/70
D685,790 S * 7/2013 Tang D14/388
D687,009 S * 7/2013 Song et al. D14/155
8,628,474 B2 * 1/2014 Chiang et al. 600/443
D699,220 S * 2/2014 Lee D14/216
D700,075 S * 2/2014 Bould et al. D10/49
2003/0053620 A1 * 3/2003 Chen 379/447
2003/0122698 A1 * 7/2003 Horie et al. 341/176
2003/0137833 A1 * 7/2003 Hsu 362/196
2005/0094355 A1 * 5/2005 Mori et al. 361/600
2005/0205458 A1 * 9/2005 Pearson 206/538
2005/0258066 A1 * 11/2005 Conley 206/538

* cited by examiner

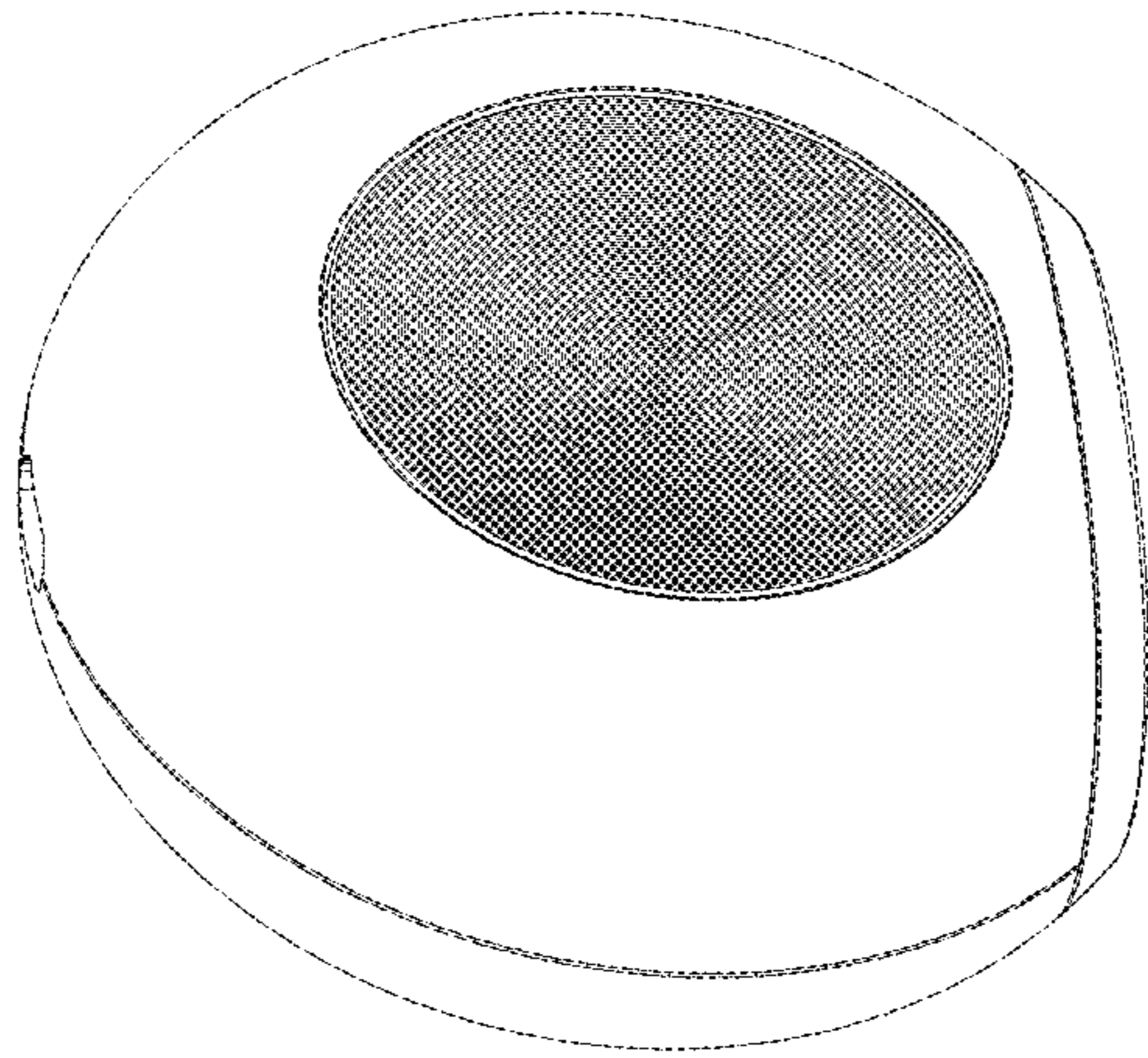


FIG. 1

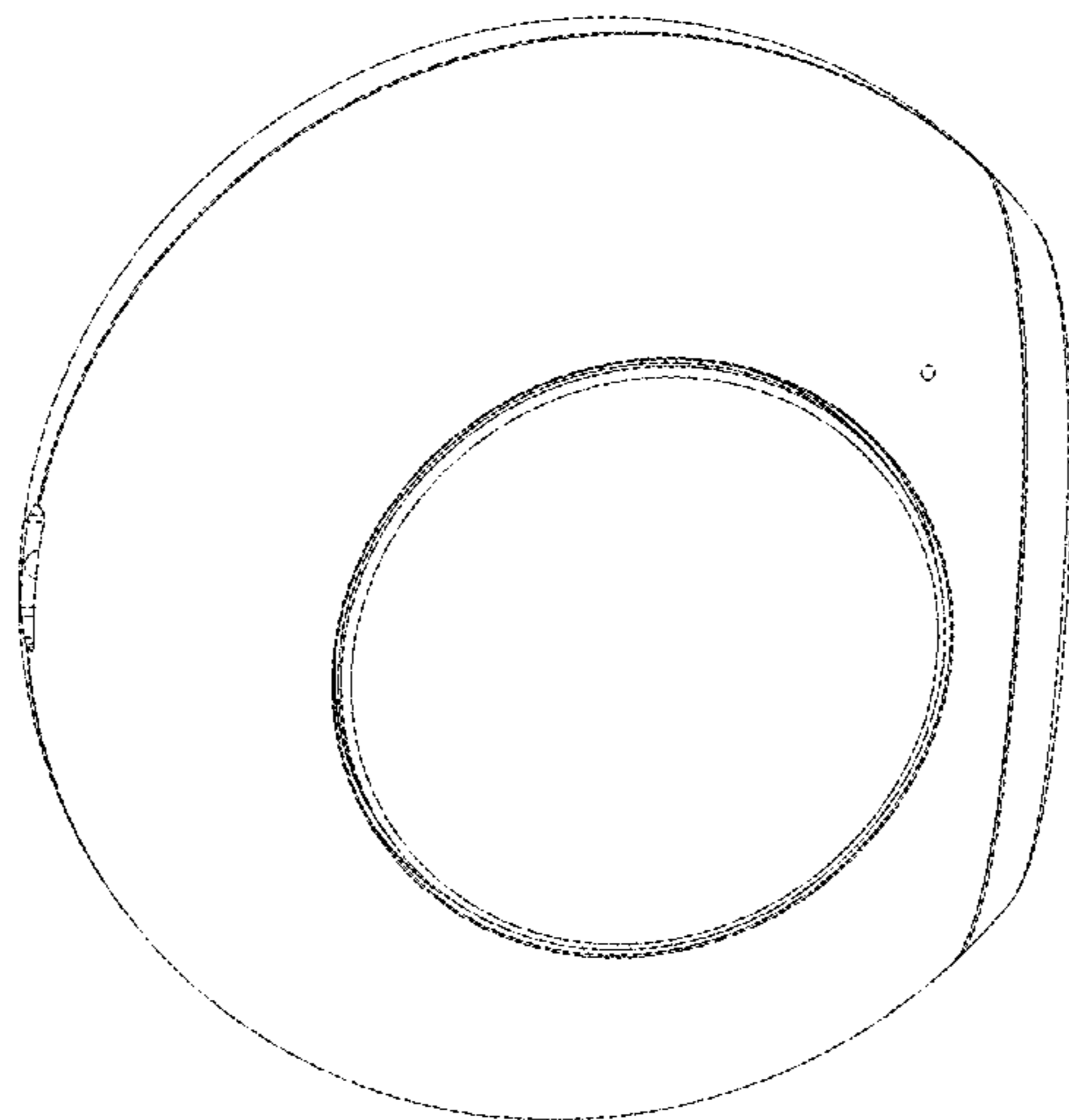


FIG. 2

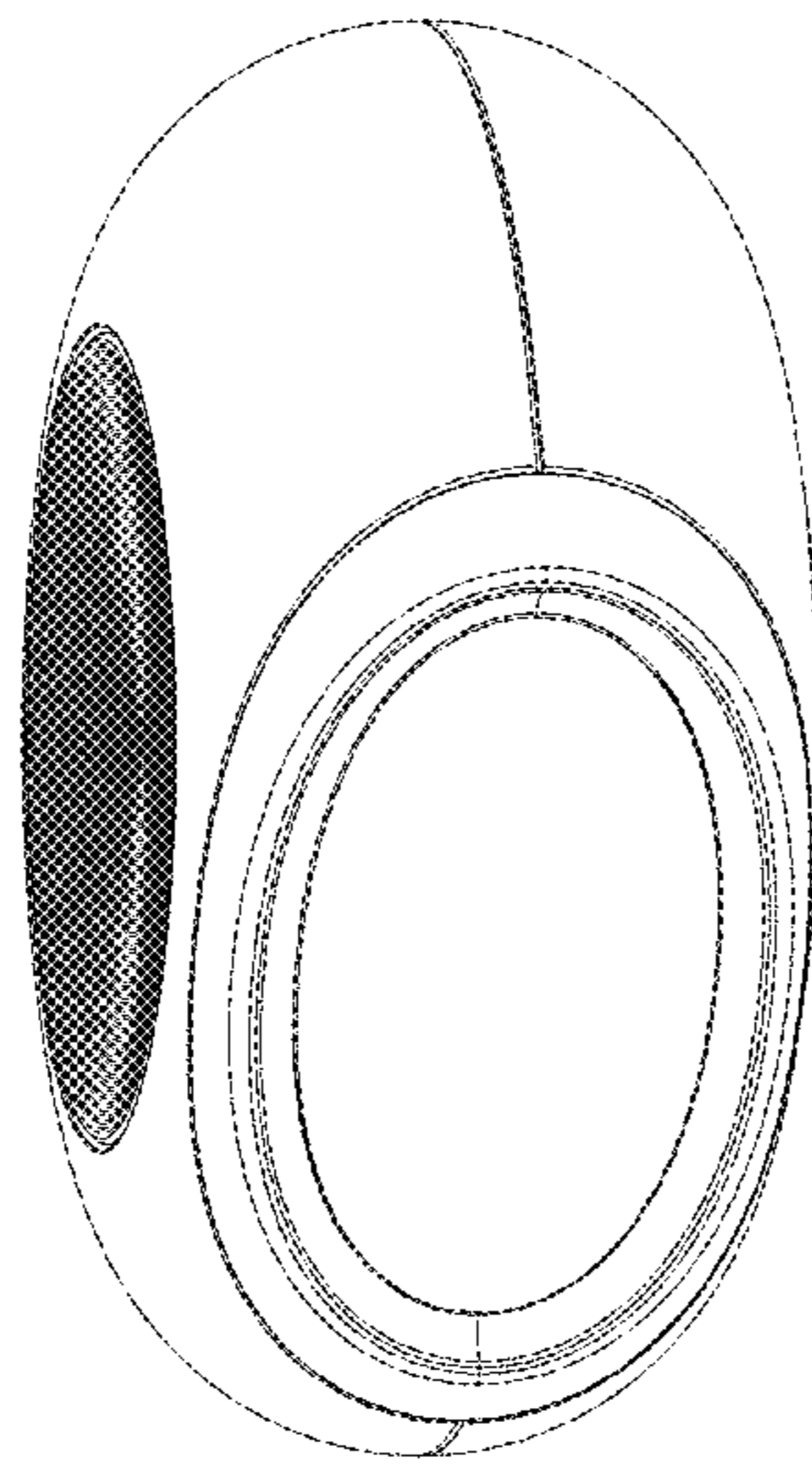


FIG. 3

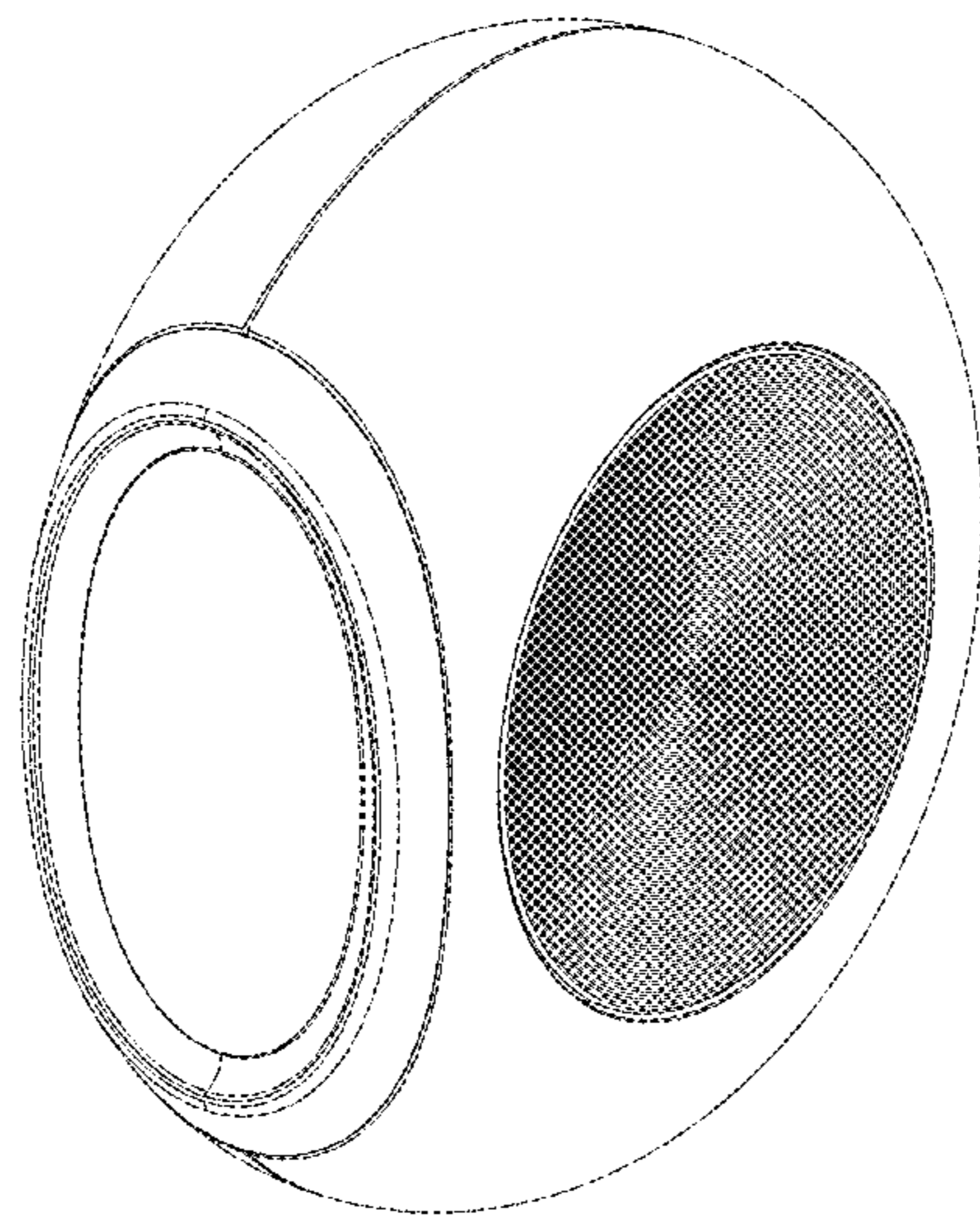


FIG. 4

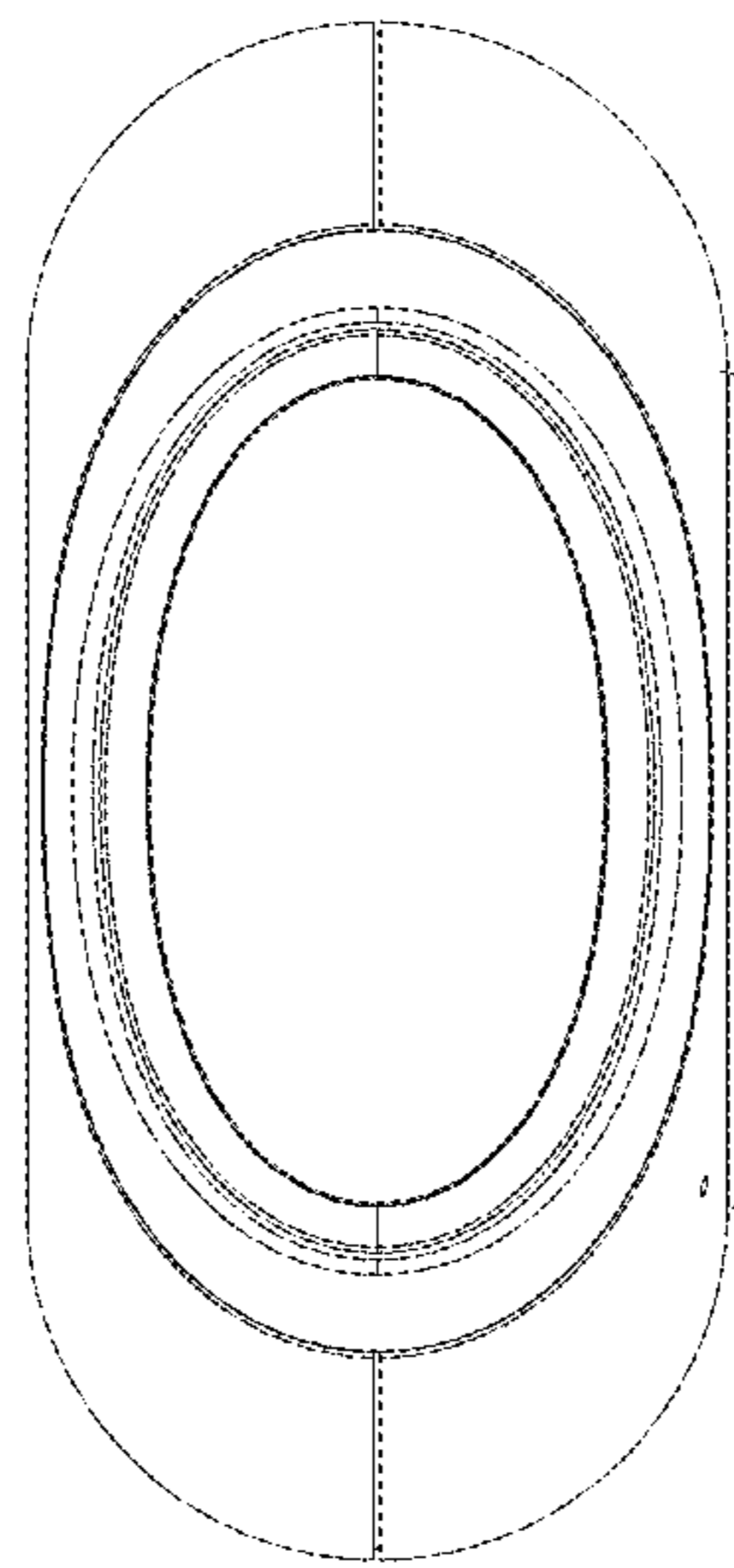


FIG. 5

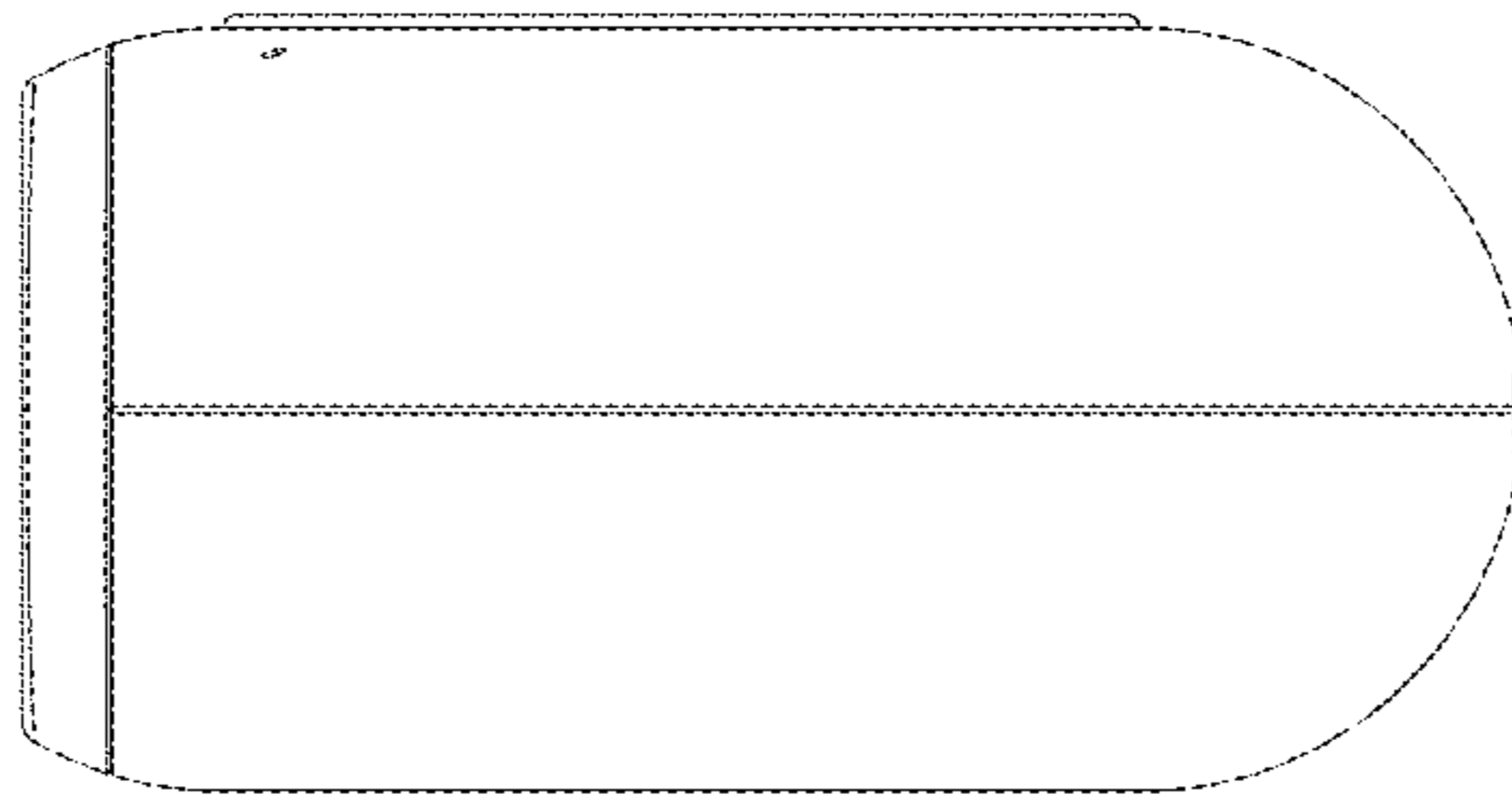


FIG. 6

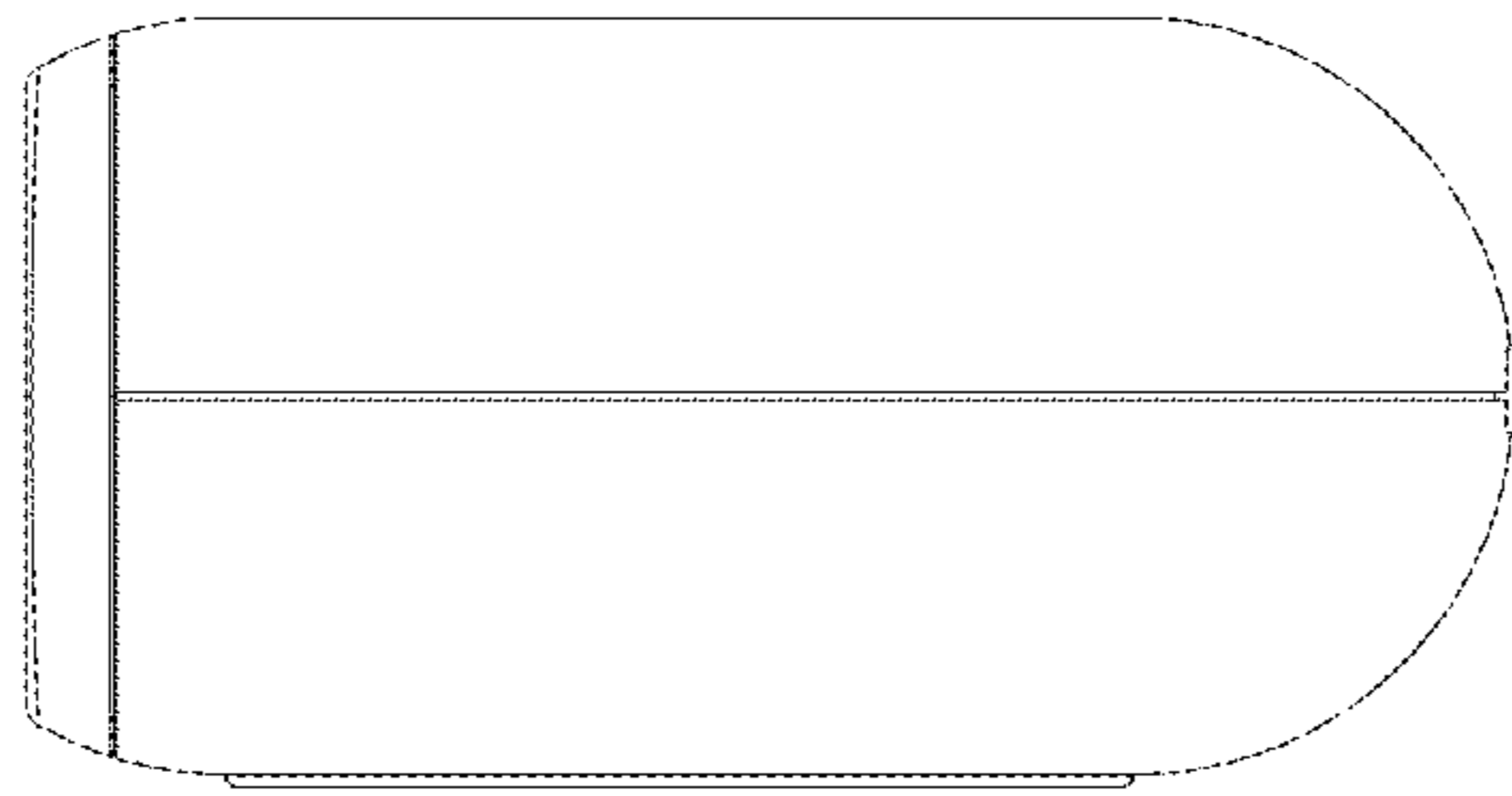


FIG. 7

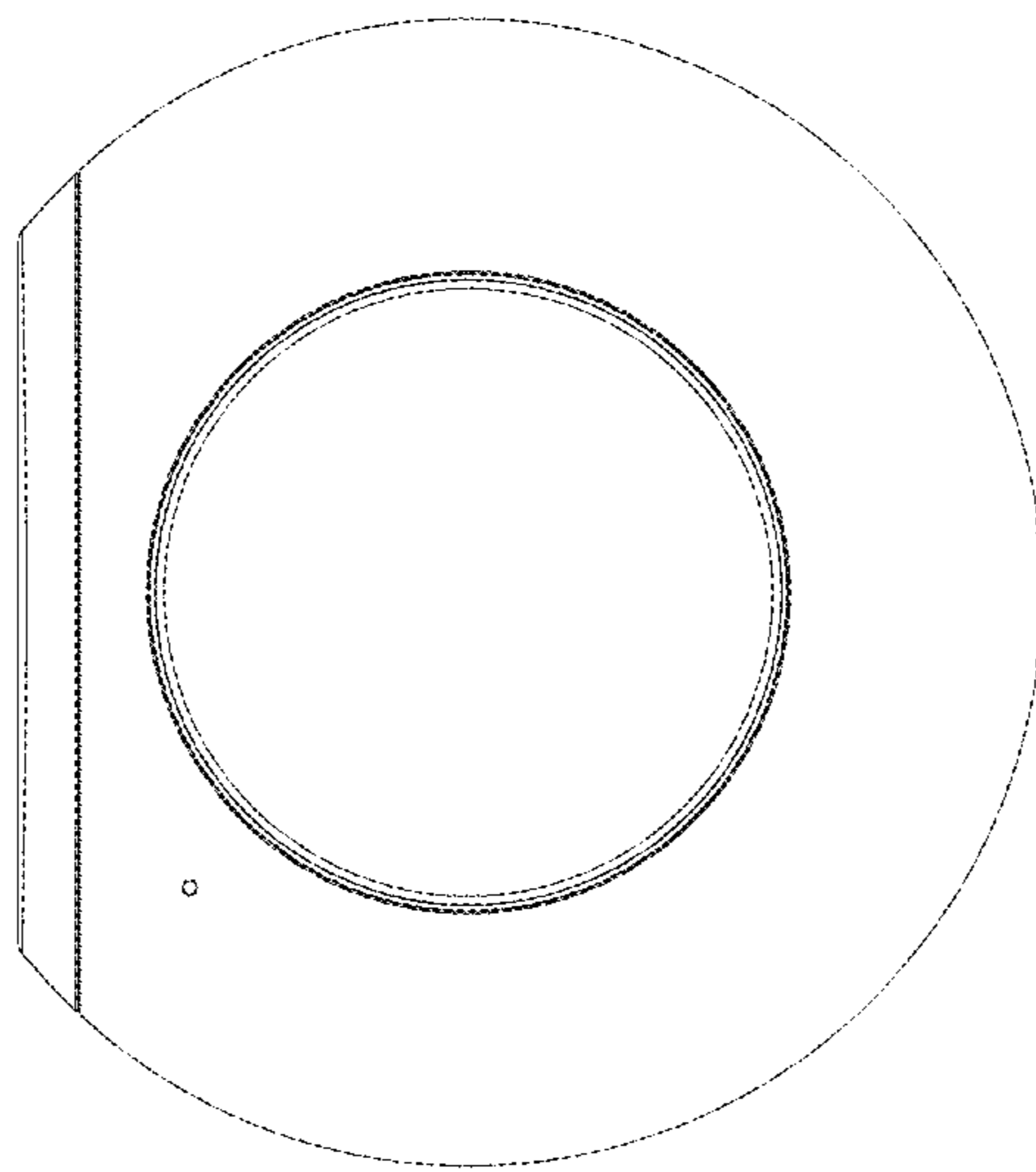


FIG. 8

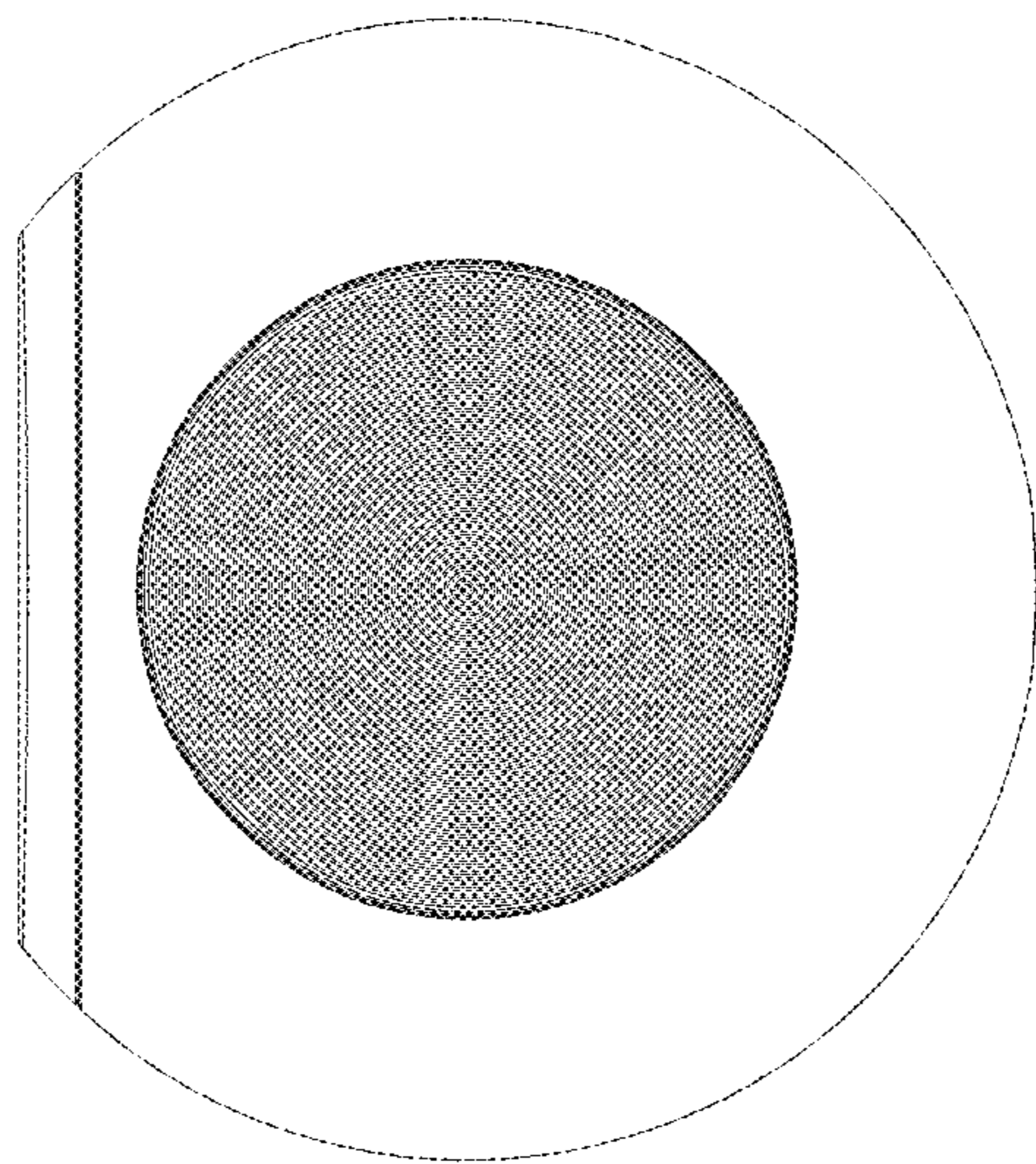


FIG. 9

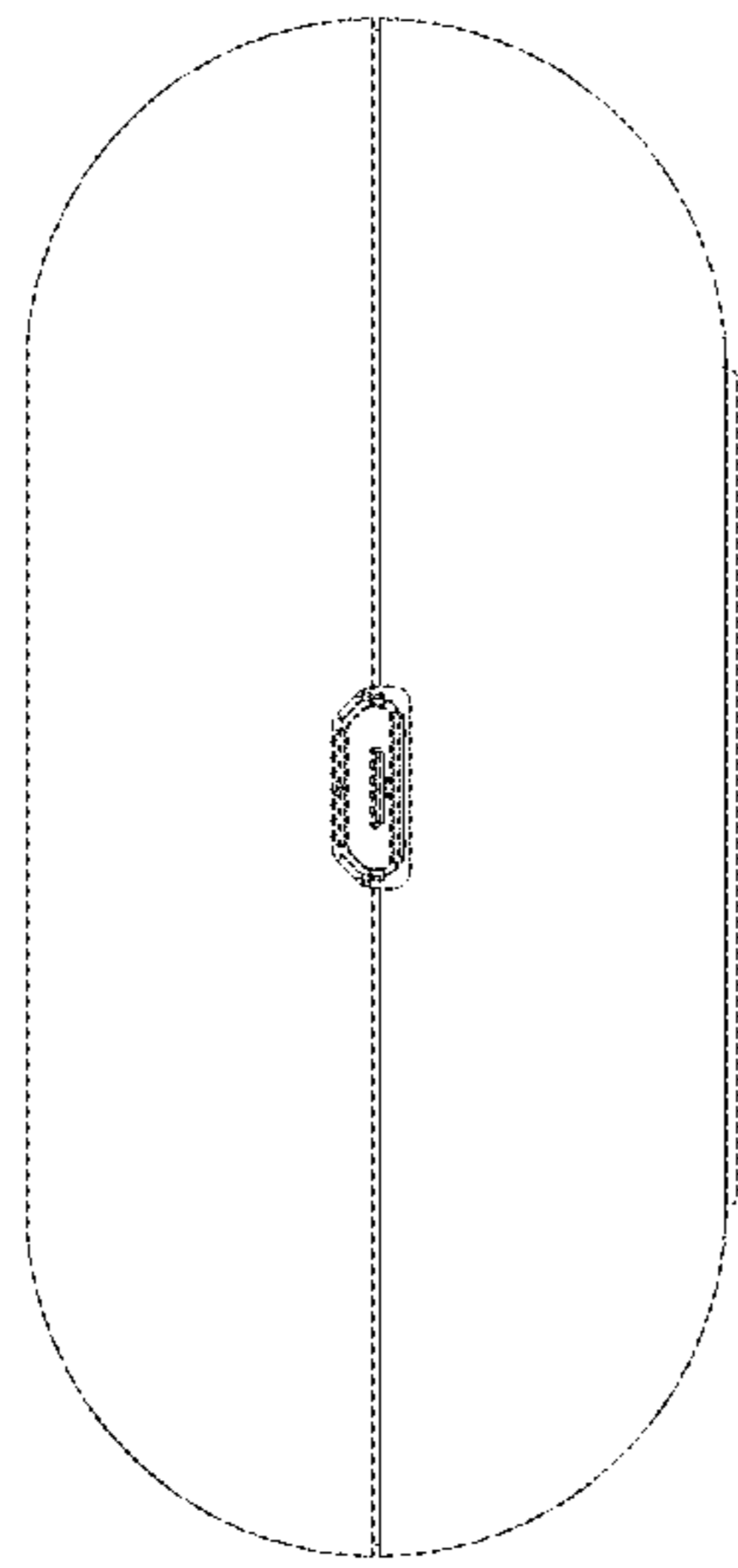


FIG. 10