



US00D714785S

(12) **United States Design Patent**  
**Delpier et al.**

(10) **Patent No.:** **US D714,785 S**

(45) **Date of Patent:** **\*\* Oct. 7, 2014**

(54) **DISPLAY WITH SPEAKER GRILL**

D606,066 S \* 12/2009 Lee ..... D14/301  
D630,626 S \* 1/2011 Fujita et al. .... D14/318

(71) Applicant: **Hewlett-Packard Development Company, L.P.**, Houston, TX (US)

\* cited by examiner

(72) Inventors: **Michael J. Delpier**, Houston, TX (US);  
**Kevin L. Massaro**, Houston, TX (US);  
**Stacy L. Wolff**, Cypress, TX (US)

*Primary Examiner* — Freda S Nunn

(73) Assignee: **Hewlett-Packard Development Company, L.P.**, Houston, TX (US)

(57) **CLAIM**

We claim the ornamental design for a display with speaker grill, as shown and described.

(\*\*) Term: **14 Years**

**DESCRIPTION**

(21) Appl. No.: **29/443,652**

FIG. 1 is a top perspective view of a display with speaker grill illustrating our new design, the jagged lines appearing in the views are understood to show an indeterminate length;

(22) Filed: **Jan. 21, 2013**

FIG. 2 is a front view thereof;

(51) **LOC (10) Cl.** ..... **14-02**

FIG. 3 is rear view thereof;

(52) **U.S. Cl.**  
USPC ..... **D14/371; D14/315**

FIG. 4 is a bottom view thereof;

(58) **Field of Classification Search**  
CPC ..... H01H 13/705  
USPC ..... D14/315-327; D18/1, 2, 7, 11;  
235/145 A, 145 R; 341/22, 23; 345/104,  
345/156, 168, 169, 173; 361/679.08,  
361/679.09, 679.11, 679.26, 679.27  
See application file for complete search history.

FIG. 5 is a top view thereof;

FIG. 6 is a left side view thereof;

FIG. 7 is right side view thereof;

FIG. 8 is an enlarged fragmentary view thereof shown as item 8 in FIG. 1;

FIG. 9 is an enlarged sectional view thereof taken along line 9-9 of FIG. 8; and,

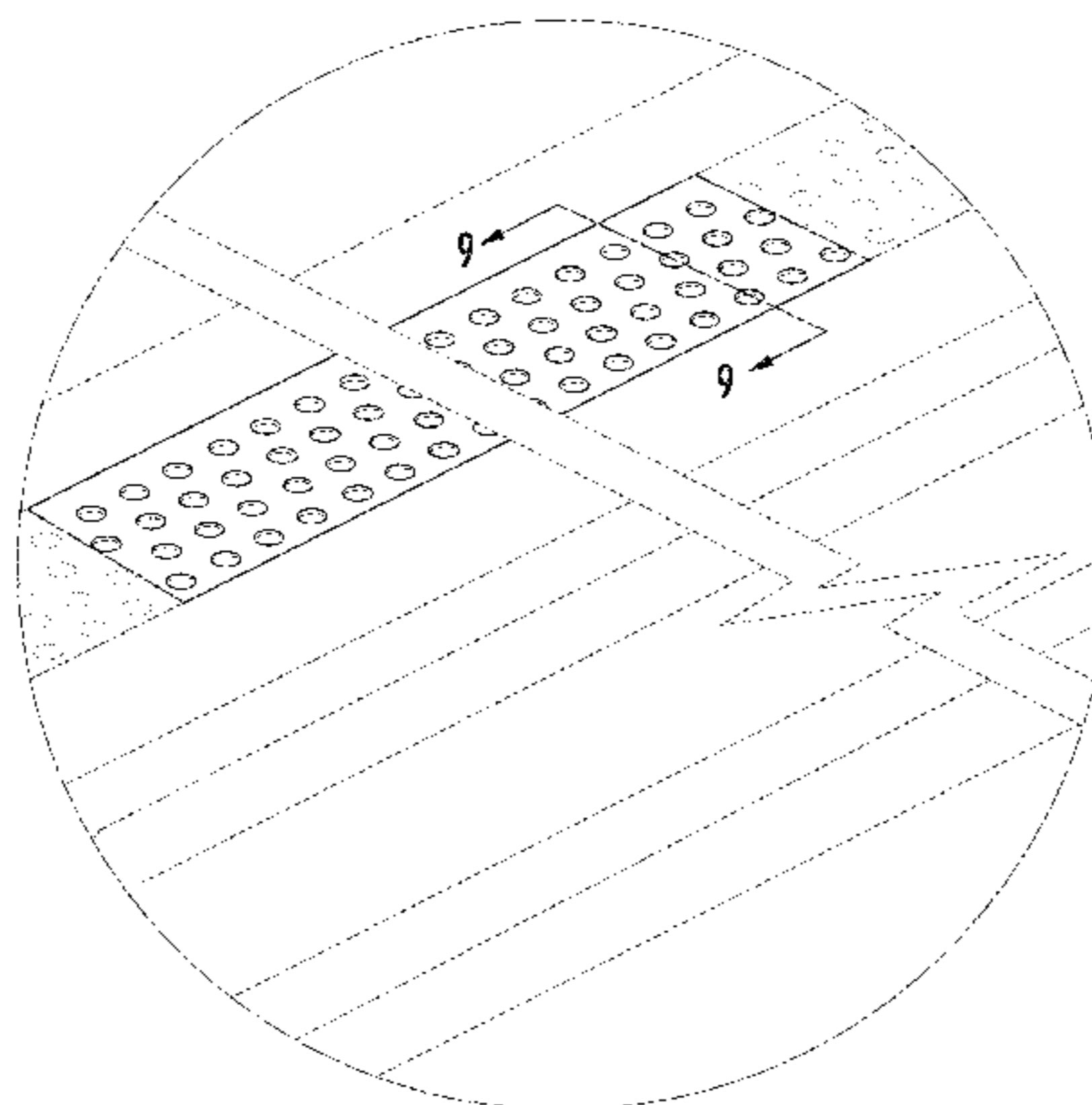
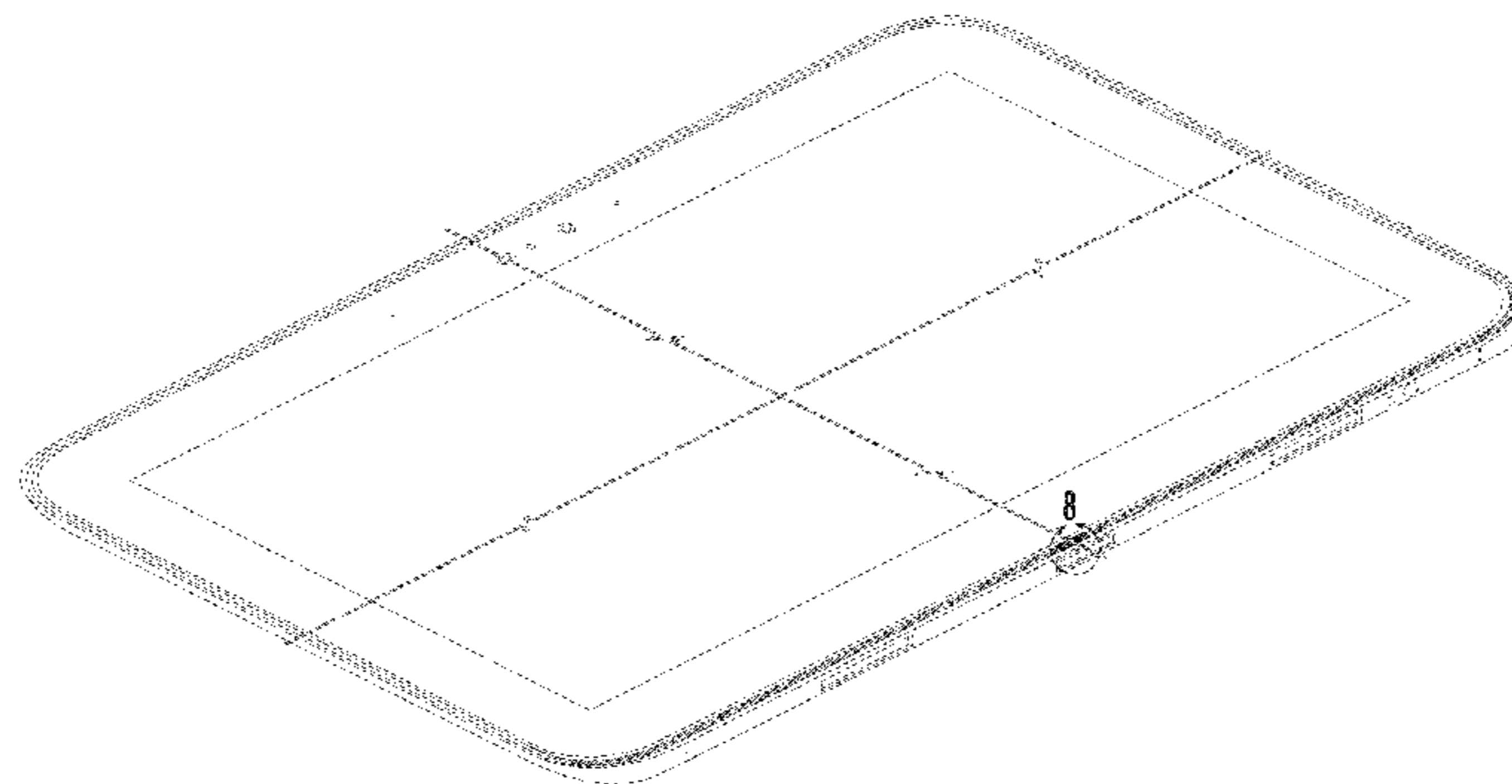
FIG. 10 is a front perspective view of the display with speaker grill of FIG. 1 as part of a computing device with a keyboard. The dash-dash broken lines in the drawings are environmental lines which do not form part of the claimed design. The short dash-long dash lines are boundary lines which do not form part of the claimed design.

(56) **References Cited**

**U.S. PATENT DOCUMENTS**

6,067,224 A \* 5/2000 Nobuchi ..... 361/679.27  
D535,298 S \* 1/2007 Cochrane ..... D14/444

**1 Claim, 7 Drawing Sheets**



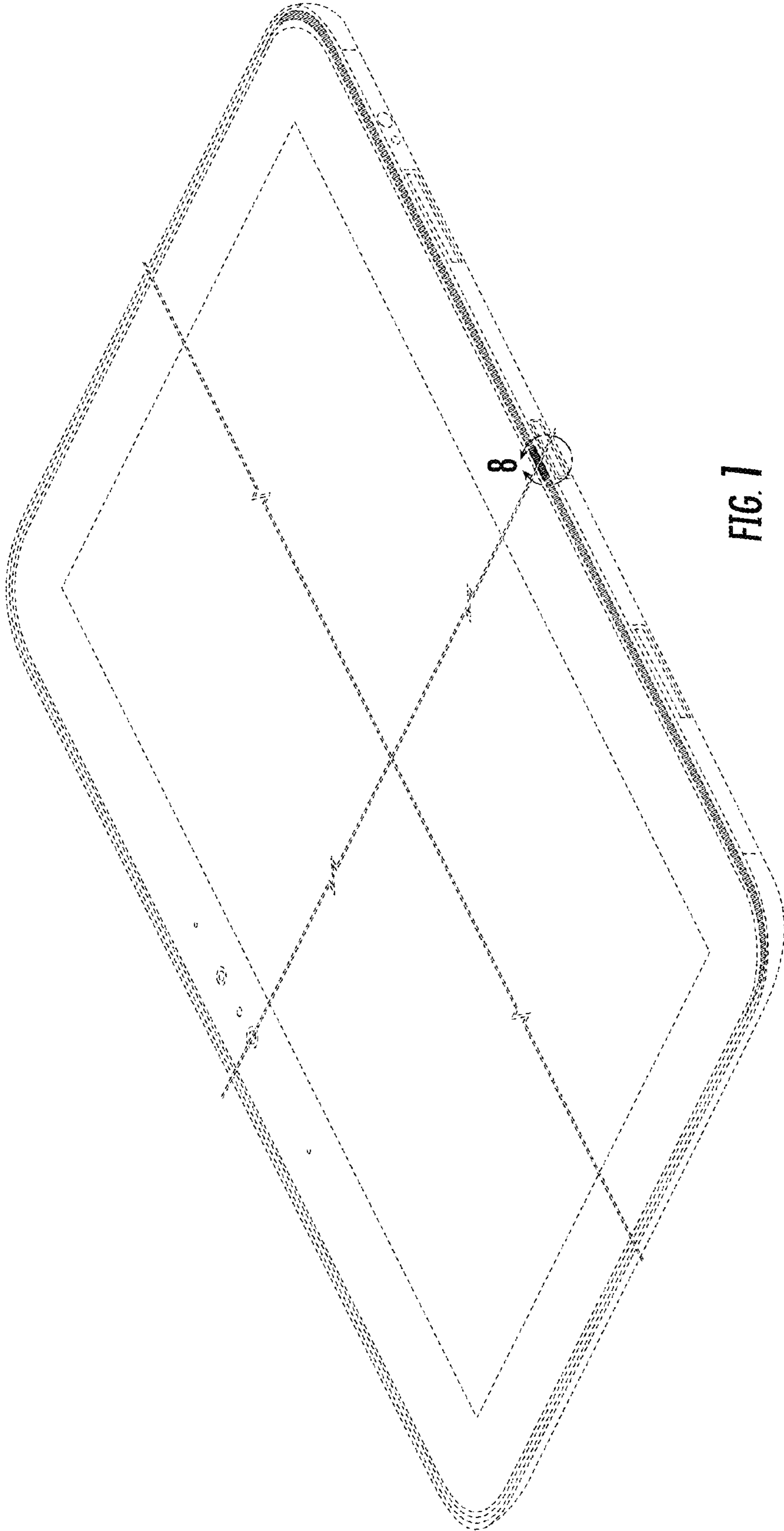


FIG. 1

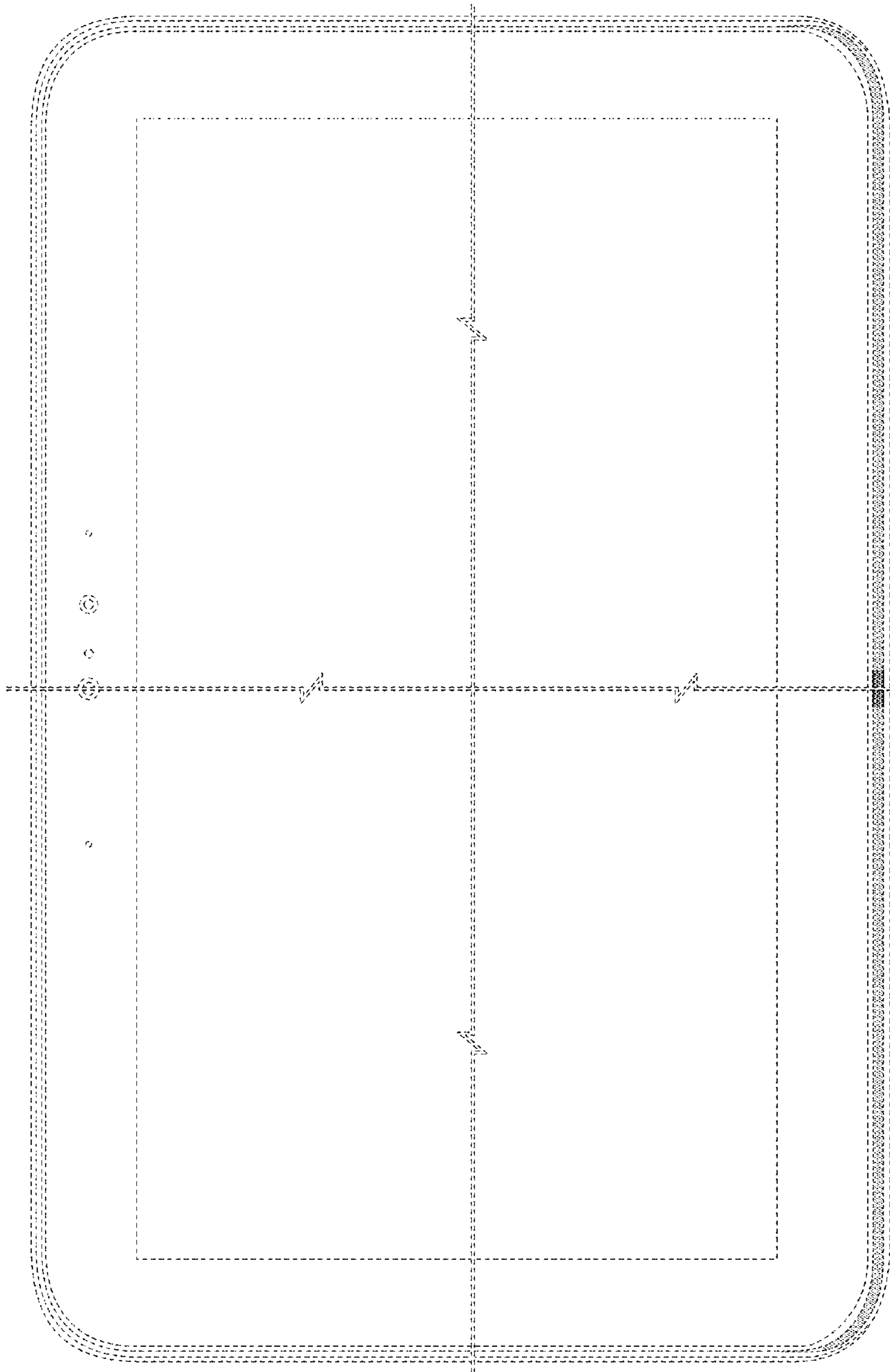


FIG. 2

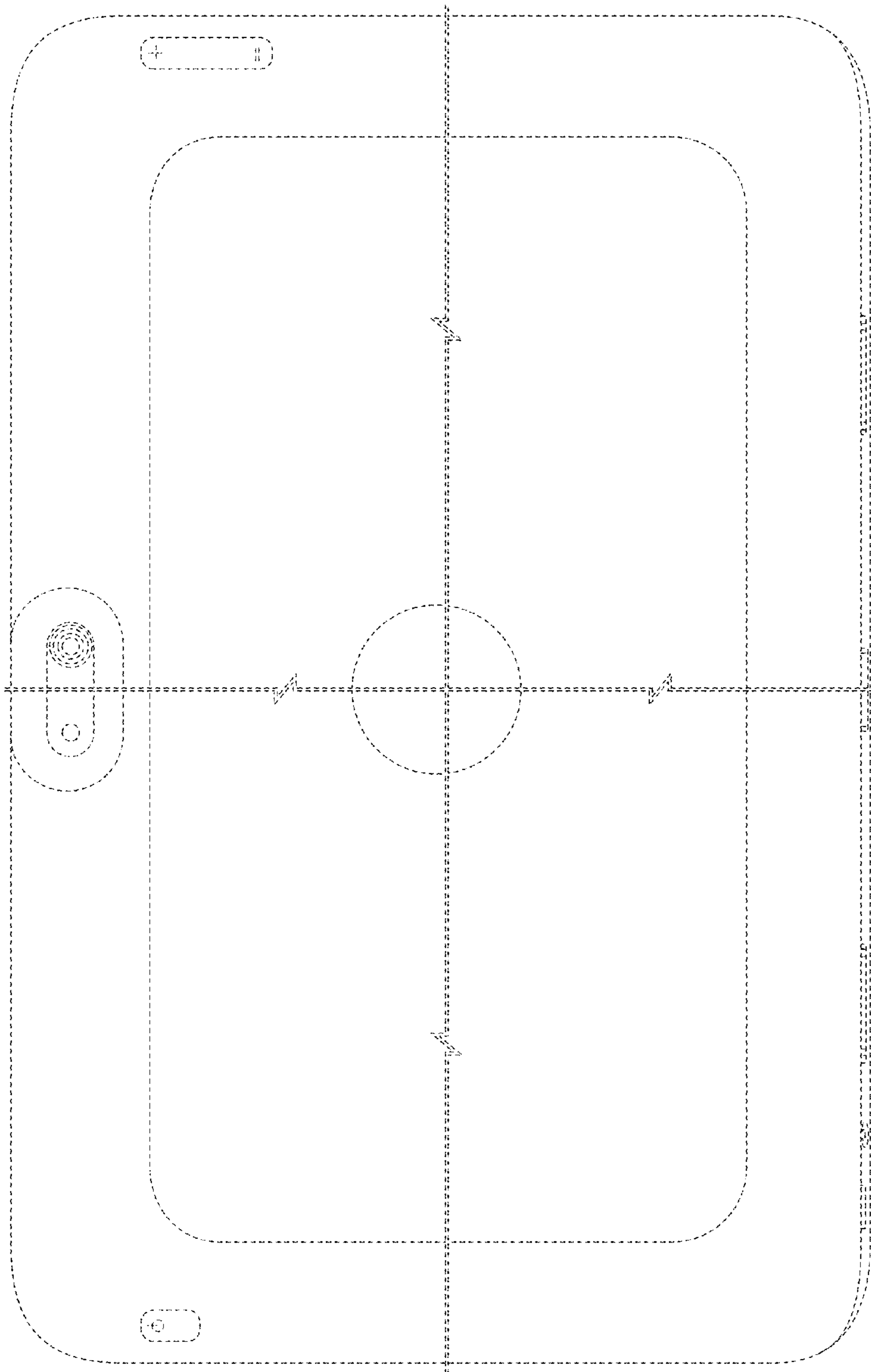


FIG. 3

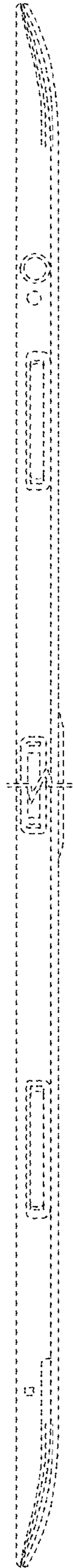


FIG. 4

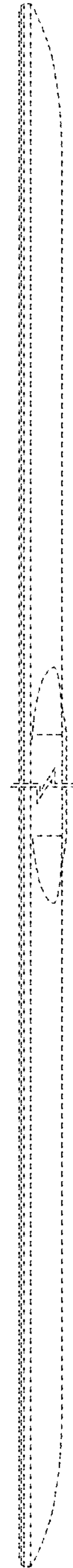
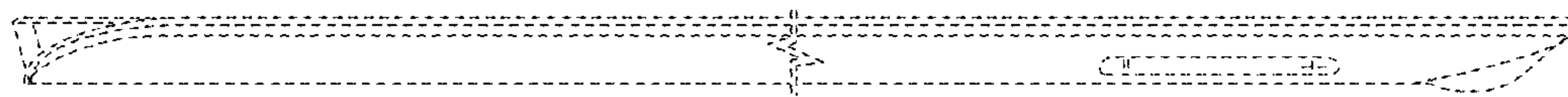


FIG. 5



**FIG. 6**



**FIG. 7**

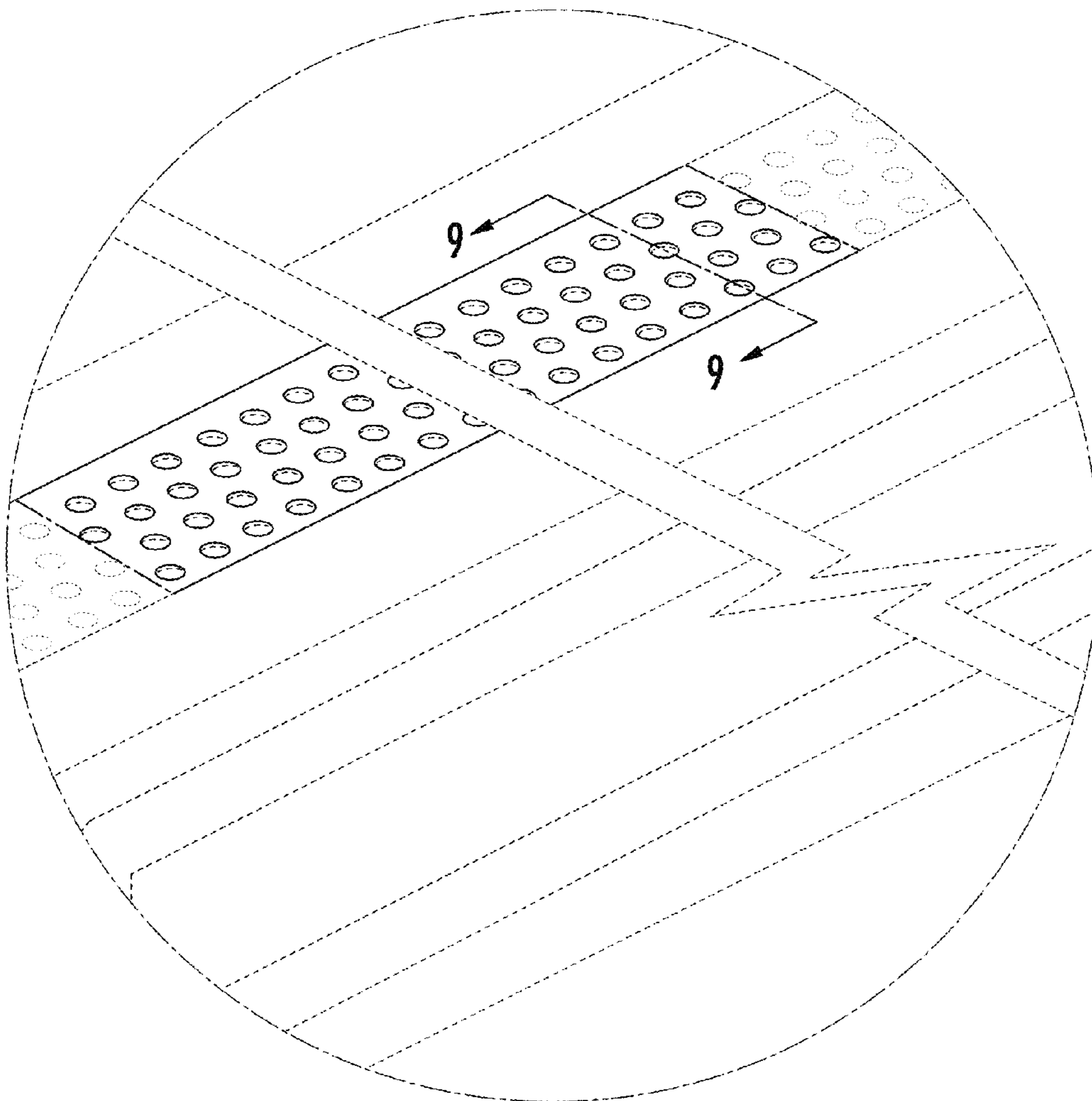


FIG. 8

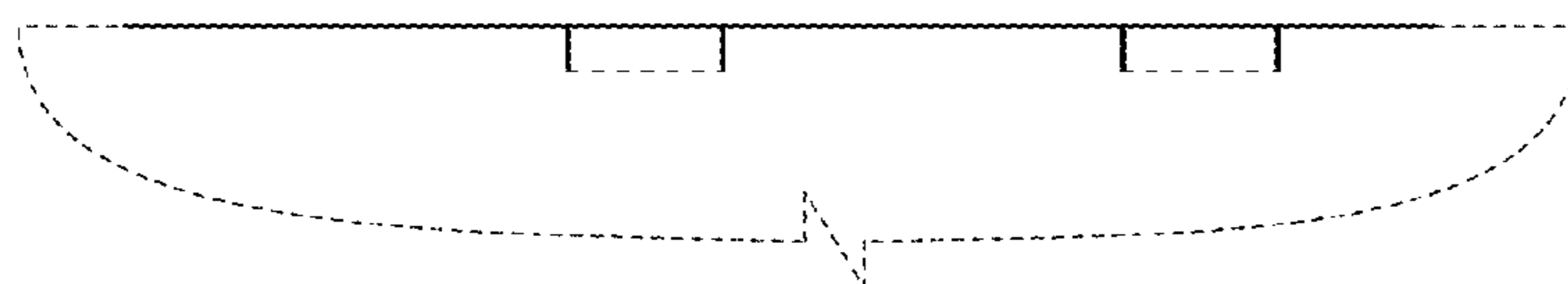


FIG. 9

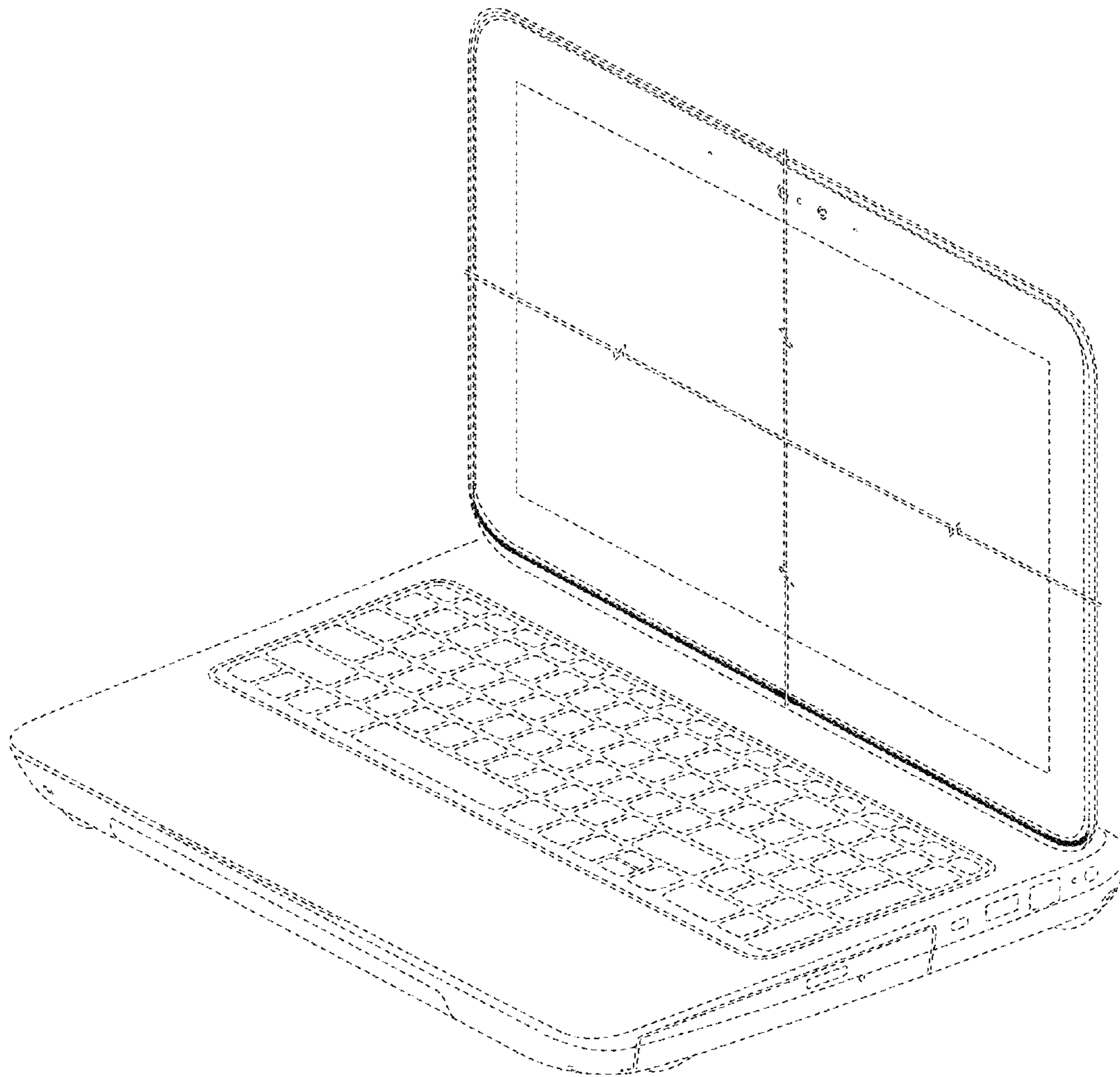


FIG. 10