



US00D714782S

(12) **United States Design Patent**  
**Ohshima**

(10) **Patent No.:** **US D714,782 S**  
(45) **Date of Patent:** **\*\* Oct. 7, 2014**

(54) **ELECTRONIC COMPUTER**

(71) Applicant: **Kabushiki Kaisha Toshiba**, Tokyo (JP)

(72) Inventor: **Jun Ohshima**, Tokyo (JP)

(73) Assignee: **Kabushiki Kaisha Toshiba**, Minato-Ku,  
Tokyo (JP)

(\*\*) Term: **14 Years**

(21) Appl. No.: **29/448,630**

(22) Filed: **Mar. 13, 2013**

(30) **Foreign Application Priority Data**

Dec. 13, 2012 (JP) ..... 2012-030446

(51) **LOC (10) Cl.** ..... **14-02**

(52) **U.S. Cl.**  
USPC ..... **D14/341**

(58) **Field of Classification Search**  
USPC ..... D14/341-347, 137, 138 R, 138 AA,  
D14/138 C, 138 G, 496, 203.1, 203.3, 203.4,  
D14/203.7, 129, 130, 147, 218, 248, 389,  
D14/388, 426, 420; D10/65, 104.1;  
D18/6-7; D21/324, 329, 330;  
455/556.1, 556.2, 566, 575.1, 90.3;  
379/433.04, 433.01, 433.06, 916;  
345/173, 901, 905; 361/679.26, 679.3,  
361/679.55, 679.56

See application file for complete search history.

(56) **References Cited**

**U.S. PATENT DOCUMENTS**

D424,068 S \* 5/2000 Takemasa ..... D14/374  
D639,763 S \* 6/2011 Kim et al. .... D14/138 G  
D639,767 S \* 6/2011 Finney et al. .... D14/138 G  
D641,017 S \* 7/2011 Meng ..... D14/341  
D650,381 S \* 12/2011 Park et al. .... D14/341  
D652,418 S \* 1/2012 Rashid et al. .... D14/341  
D662,932 S \* 7/2012 Park et al. .... D14/341  
D674,384 S \* 1/2013 Zhang ..... D14/341

D677,255 S \* 3/2013 McManigal et al. .... D14/341  
D677,660 S \* 3/2013 Groene et al. .... D14/341  
D684,968 S \* 6/2013 Smith et al. .... D14/341  
D684,969 S \* 6/2013 Smith et al. .... D14/341  
D687,827 S \* 8/2013 Song et al. .... D14/341  
D689,048 S \* 9/2013 Wang et al. .... D14/341  
D689,482 S \* 9/2013 Akana et al. .... D14/341  
D690,297 S \* 9/2013 Chang et al. .... D14/341  
D691,996 S \* 10/2013 Ohshima ..... D14/341  
D692,877 S \* 11/2013 Zuege ..... D14/341

(Continued)

**FOREIGN PATENT DOCUMENTS**

CN D301589418 6/2011  
CN D301768882 12/2011

(Continued)

**OTHER PUBLICATIONS**

OHIM Reg. No. 000181607-0001, owned by Apple Inc., published on Aug. 10, 2004 (3 pages).

*Primary Examiner* — Barbara Fox

(74) *Attorney, Agent, or Firm* — Banner & Witcoff, Ltd

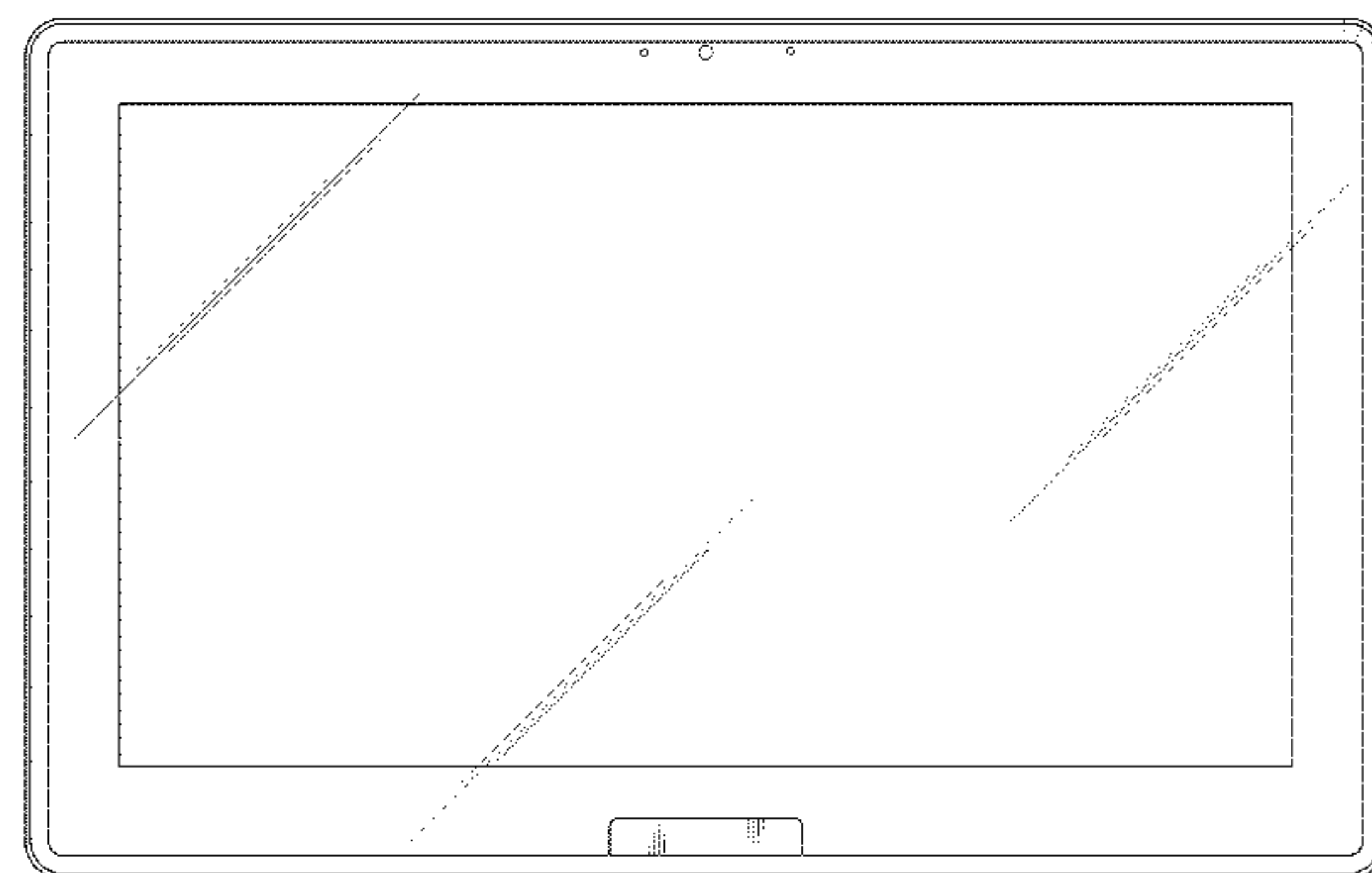
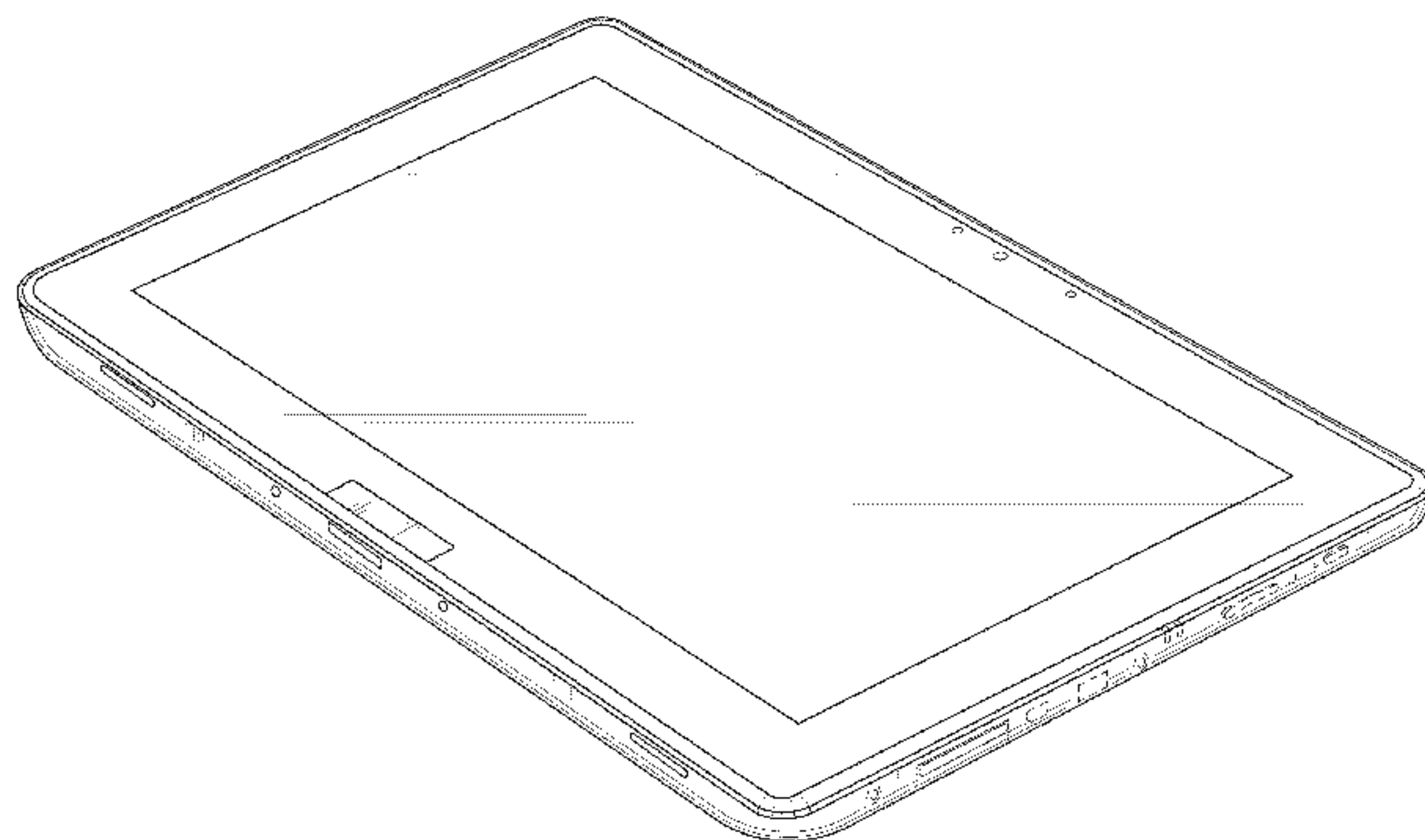
(57) **CLAIM**

The ornamental design for electronic computer, as shown and described.

**DESCRIPTION**

FIG. 1 is a perspective view of electronic computer showing my new design,  
FIG. 2 is a front elevational view thereof,  
FIG. 3 is a rear elevational view thereof,  
FIG. 4 is a left side elevational view thereof,  
FIG. 5 is a right side elevational view thereof,  
FIG. 6 is a top plan view thereof; and,  
FIG. 7 is a bottom plan view thereof.  
The broken lines shown in the drawings represent portions of the electronic computer which form no part of the claimed design.

**1 Claim, 5 Drawing Sheets**



(56)

**References Cited**

**FOREIGN PATENT DOCUMENTS**

**U.S. PATENT DOCUMENTS**

D693,340 S \* 11/2013 Ohshima ..... D14/341  
D696,246 S \* 12/2013 Kim ..... D14/341  
D701,202 S \* 3/2014 Choi ..... D14/341  
D702,229 S \* 4/2014 Lim et al. .... D14/341  
D702,681 S \* 4/2014 Sugiyama et al. .... D14/341  
D703,667 S \* 4/2014 Song et al. .... D14/345  
D703,668 S \* 4/2014 Kim et al. .... D14/346

CN D301552912 5/2012  
CN D301947832 6/2012  
JP D1444217 6/2012  
JP D1449398 8/2012  
JP D1449697 8/2012  
JP D1449718 8/2012  
JP D1450043 9/2012

\* cited by examiner

Fig. 1

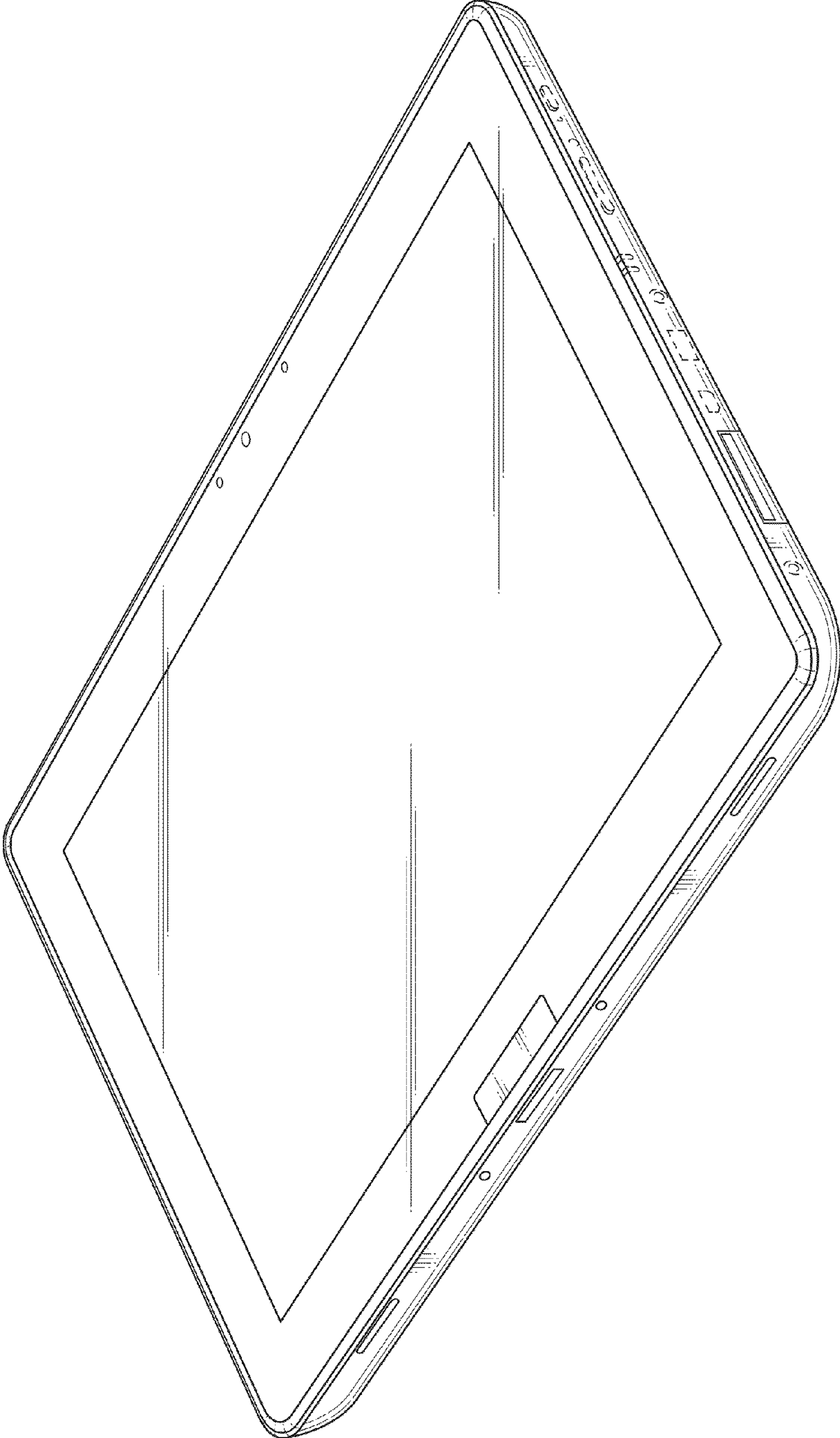


Fig. 2

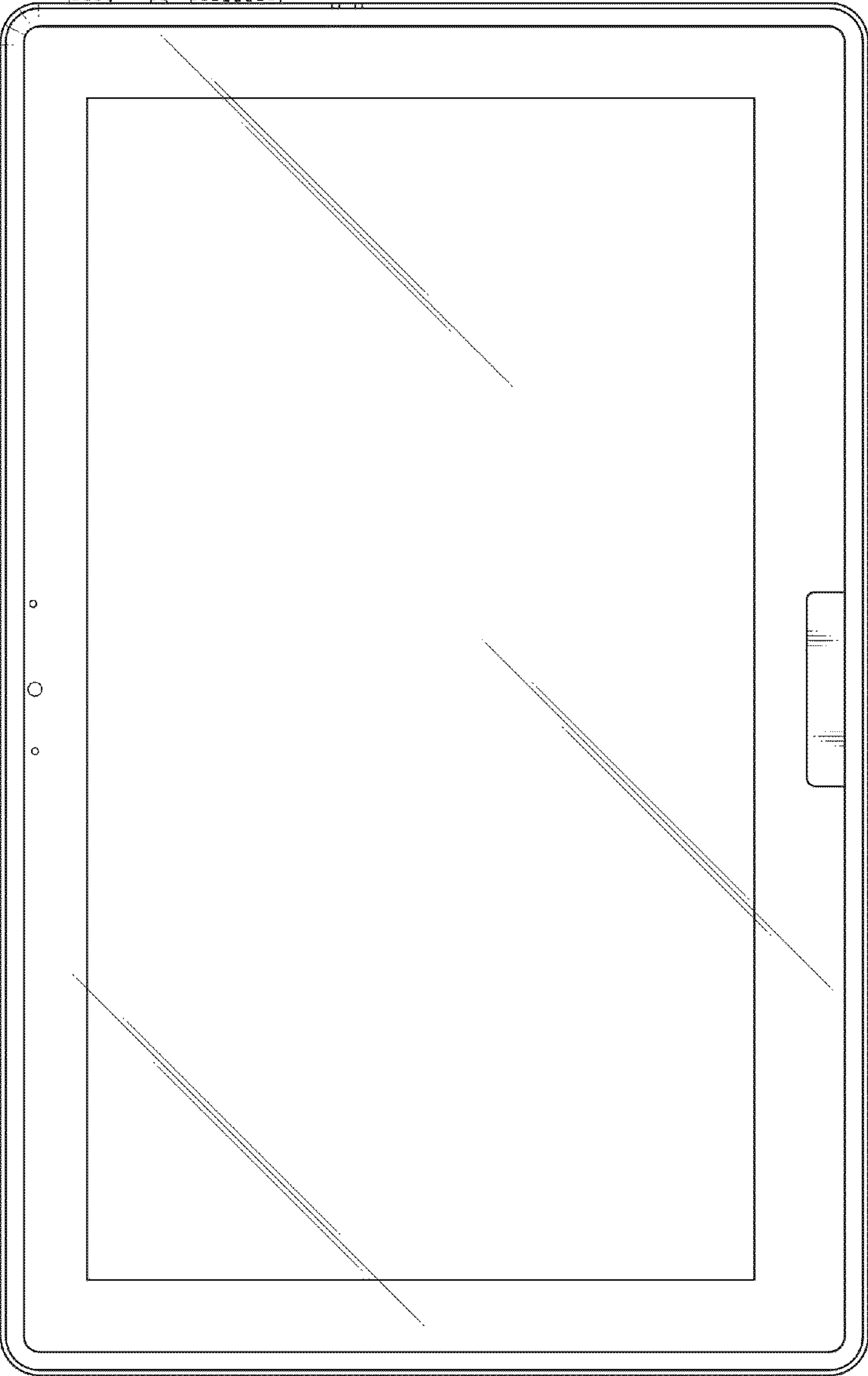


Fig. 3

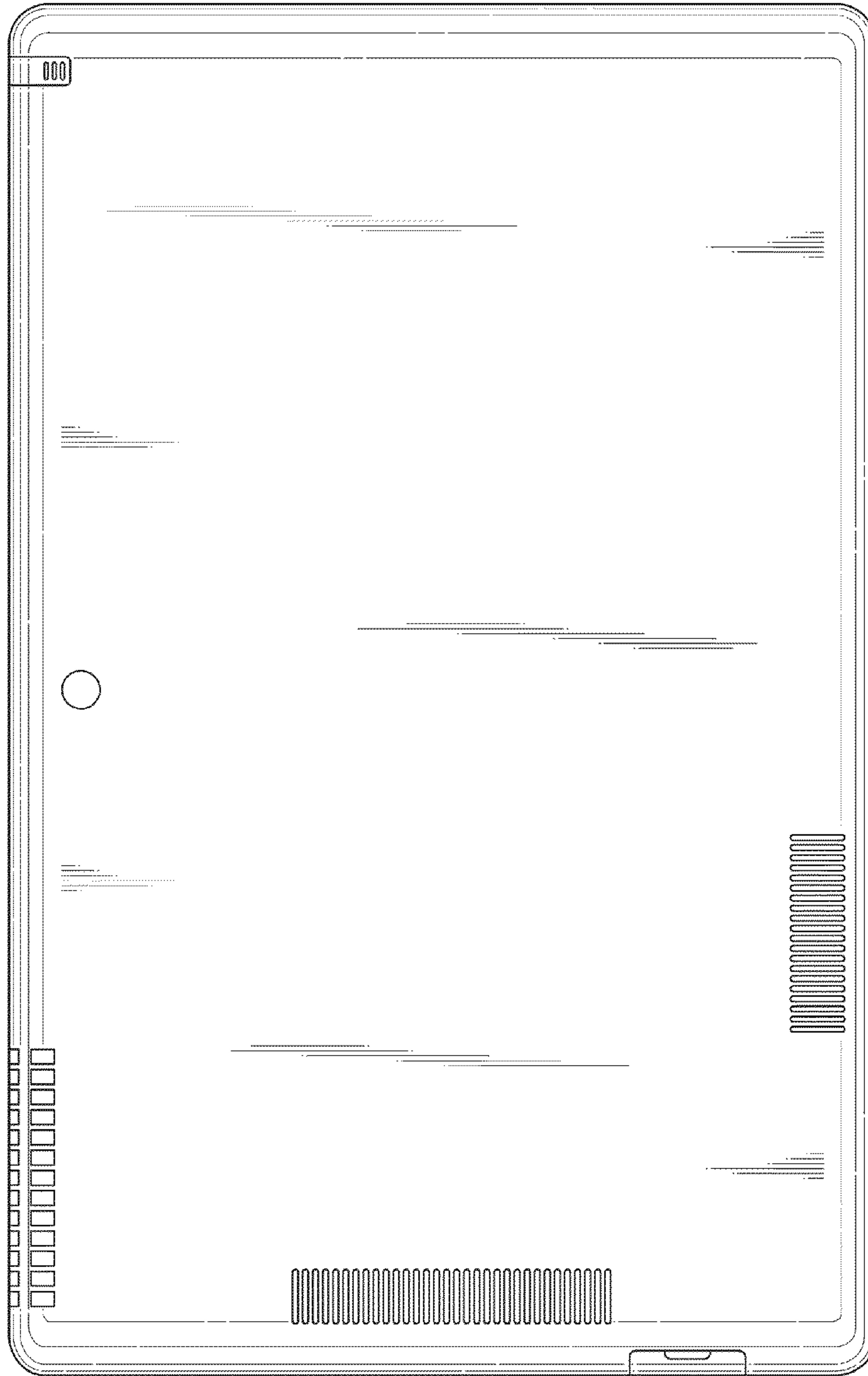


Fig. 5



Fig. 4





Fig. 6



Fig. 7

