



US00D714781S

(12) **United States Design Patent**
Lee et al.

(10) **Patent No.:** **US D714,781 S**
(45) **Date of Patent:** **** Oct. 7, 2014**

(54) **PORTABLE ELECTRONIC DEVICE**

(75) Inventors: **Kyungjin Lee**, Seoul (KR); **Sung Kwon Kim**, Seoul (KR)

(73) Assignee: **Samsung Electronics Co., Ltd.**, Suwon-Si (KR)

(**) Term: **14 Years**

(21) Appl. No.: **29/424,789**

(22) Filed: **Jun. 15, 2012**

(51) **LOC (10) Cl.** **14-02**

(52) **U.S. Cl.**

USPC **D14/341**; D14/248

(58) **Field of Classification Search**

USPC D14/341-347, 137, 138 AA, 138 R, D14/138 C, 138 G, 496, 203.1, 203.3, 203.7, D14/426, 129, 130, 420, 147, 218, 247-248, D14/389, 388, 315-318; D10/65, 104.1; D18/6-7; D21/324, 329, 330; 455/556.1, 556.2, 566, 575.1, 90.3; 379/433.04, 433.01, 433.06, 916; 345/173, 901, 905; 361/679.26, 361/679.27, 679.3, 679.55, 679.56, 361/680-686; 248/917-924; 348/373, 376; D19/60

See application file for complete search history.

(56) **References Cited**

U.S. PATENT DOCUMENTS

D454,849 S * 3/2002 Eckholm D14/138 AA
D488,810 S * 4/2004 Lin et al. D14/341
6,802,773 B2 * 10/2004 Moody 463/13
D532,640 S * 11/2006 Pressler D6/601
D562,295 S * 2/2008 Lindner et al. D14/138 AB
D622,691 S * 8/2010 Kim et al. D14/138 G
D624,039 S * 9/2010 Cha et al. D14/138 AD

D627,322 S * 11/2010 Ardinghi et al. D14/138 AB
D629,783 S * 12/2010 Kim et al. D14/138 G
D639,265 S * 6/2011 Kao D14/138 AA
D641,334 S * 7/2011 Hong et al. D14/138 AA
D645,015 S * 9/2011 Lee et al. D14/138 G
D652,013 S * 1/2012 Kim D14/138 AA
D654,894 S * 2/2012 Kim D14/138 G
D655,288 S * 3/2012 de Jong et al. D14/341
D668,646 S * 10/2012 Li D14/248
D669,889 S * 10/2012 Li et al. D14/248
D671,903 S * 12/2012 Geum D14/138 AA
D671,904 S * 12/2012 Geum D14/138 AA
D674,369 S * 1/2013 JaeWoong D14/138 G
D678,328 S * 3/2013 Lee et al. D14/496
D687,796 S * 8/2013 Lee D14/138 G
D687,797 S * 8/2013 Kim D14/138 G
2003/0003956 A1 * 1/2003 Maenpaa et al. 455/556
2010/0020034 A1 * 1/2010 Kim 345/173

* cited by examiner

Primary Examiner — Barbara Fox

(74) *Attorney, Agent, or Firm* — Ladas & Parry LLP

(57) **CLAIM**

We claim the ornamental design for a portable electronic device, as shown and described.

DESCRIPTION

FIG. 1 is a front/right-side/top perspective view of a portable electronic device showing our new design; FIG. 2 is a front-side elevational view thereof; FIG. 3 is a rear-side elevational view thereof; FIG. 4 is a left-side elevational view thereof; FIG. 5 is a right-side elevational view thereof; FIG. 6 is a top-side elevational view thereof; FIG. 7 is a bottom-side elevational view thereof; and, FIG. 8 is a rear/right-side/top perspective view thereof. The broken lines shown in the drawings represent portions of the portable electronic device which form no part of the claimed design.

1 Claim, 7 Drawing Sheets

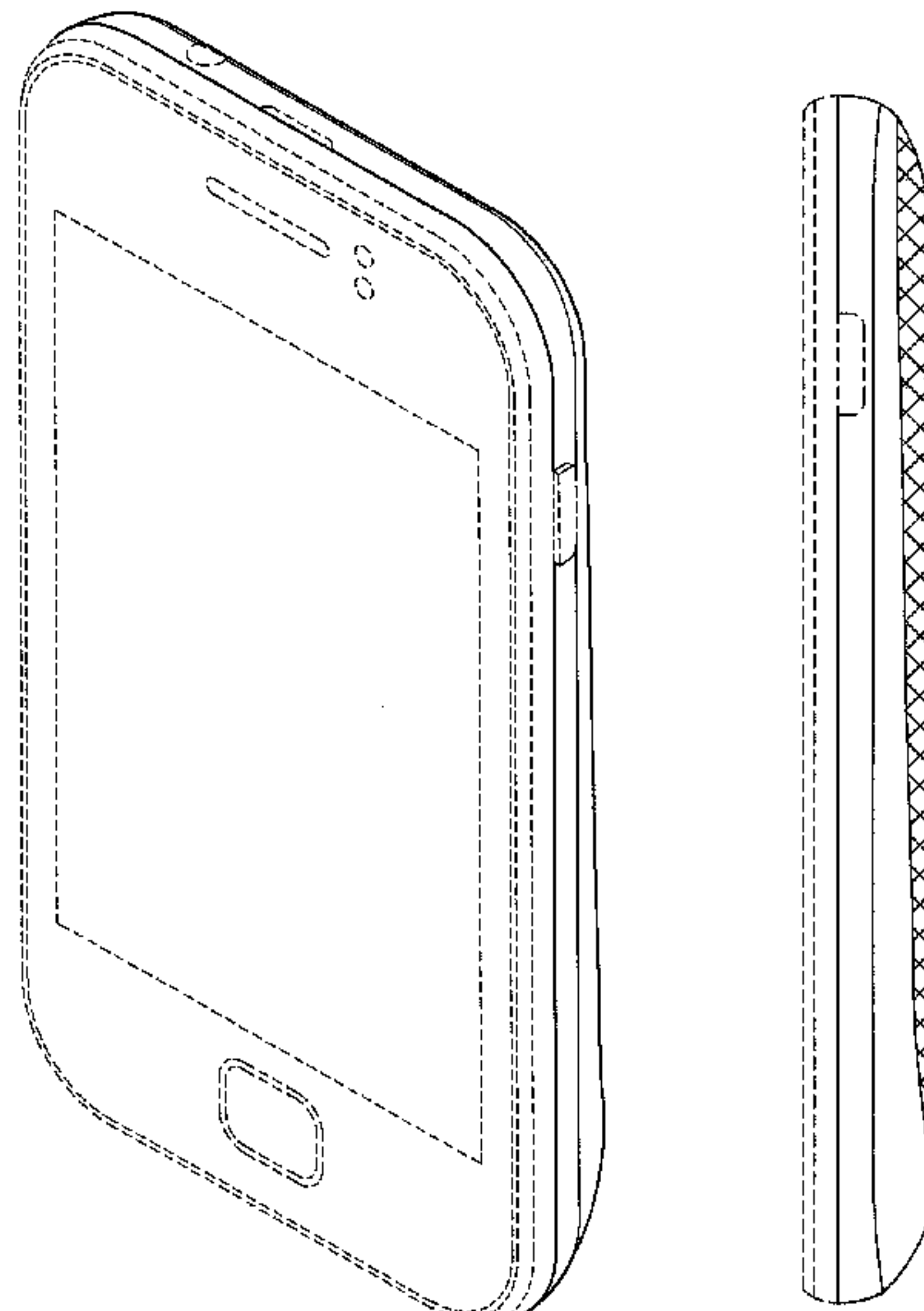


FIG. 1

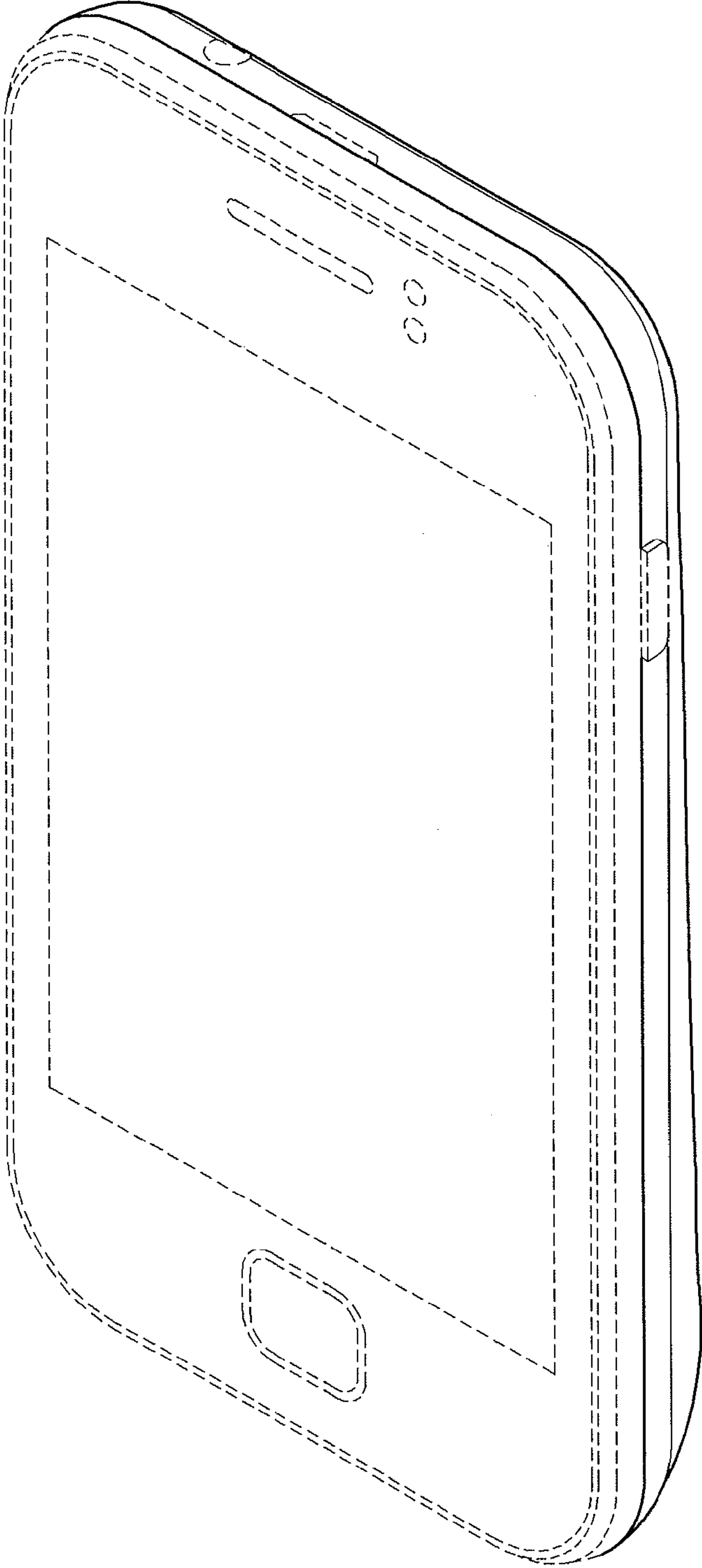


FIG. 2

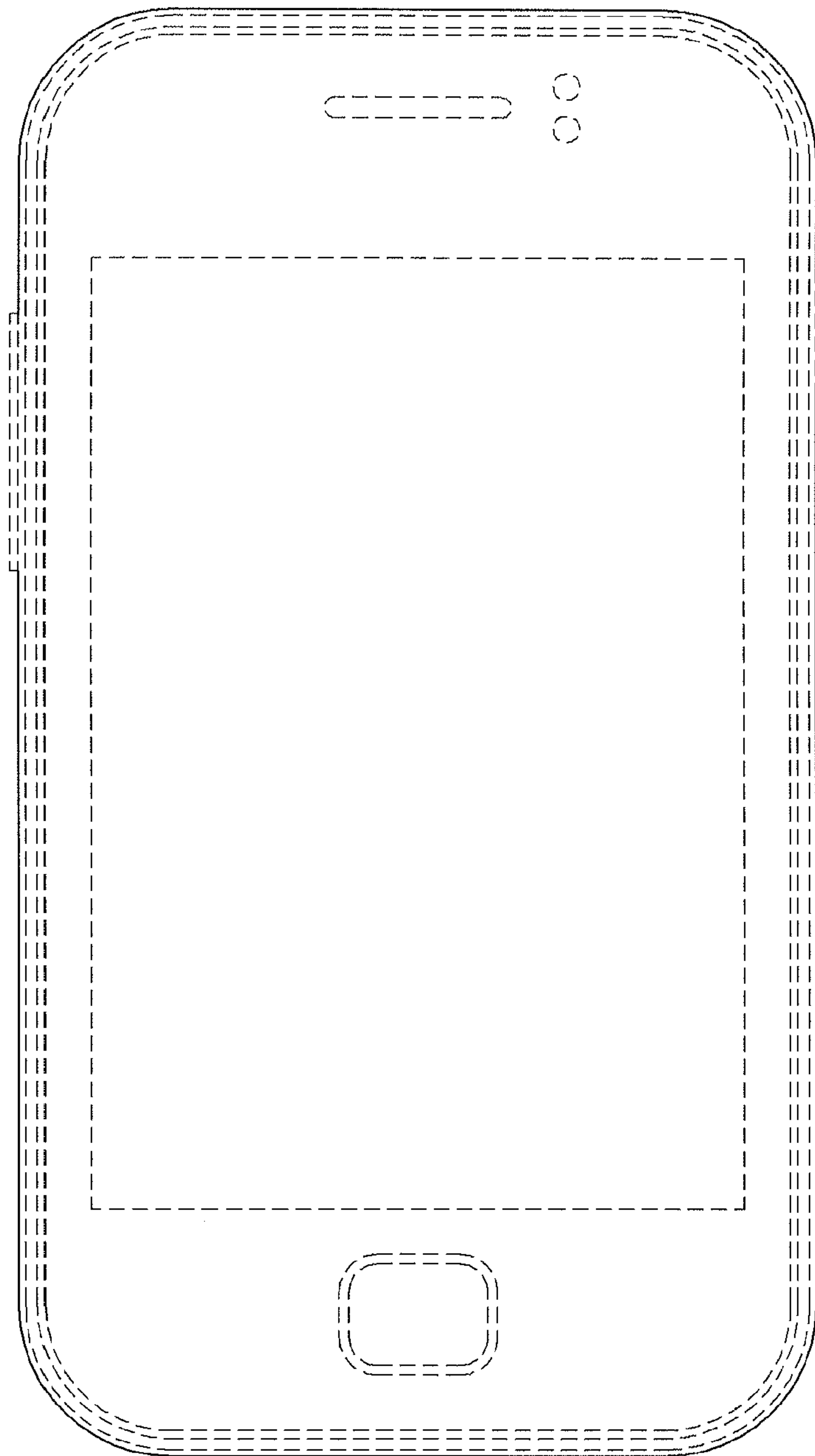


FIG. 3

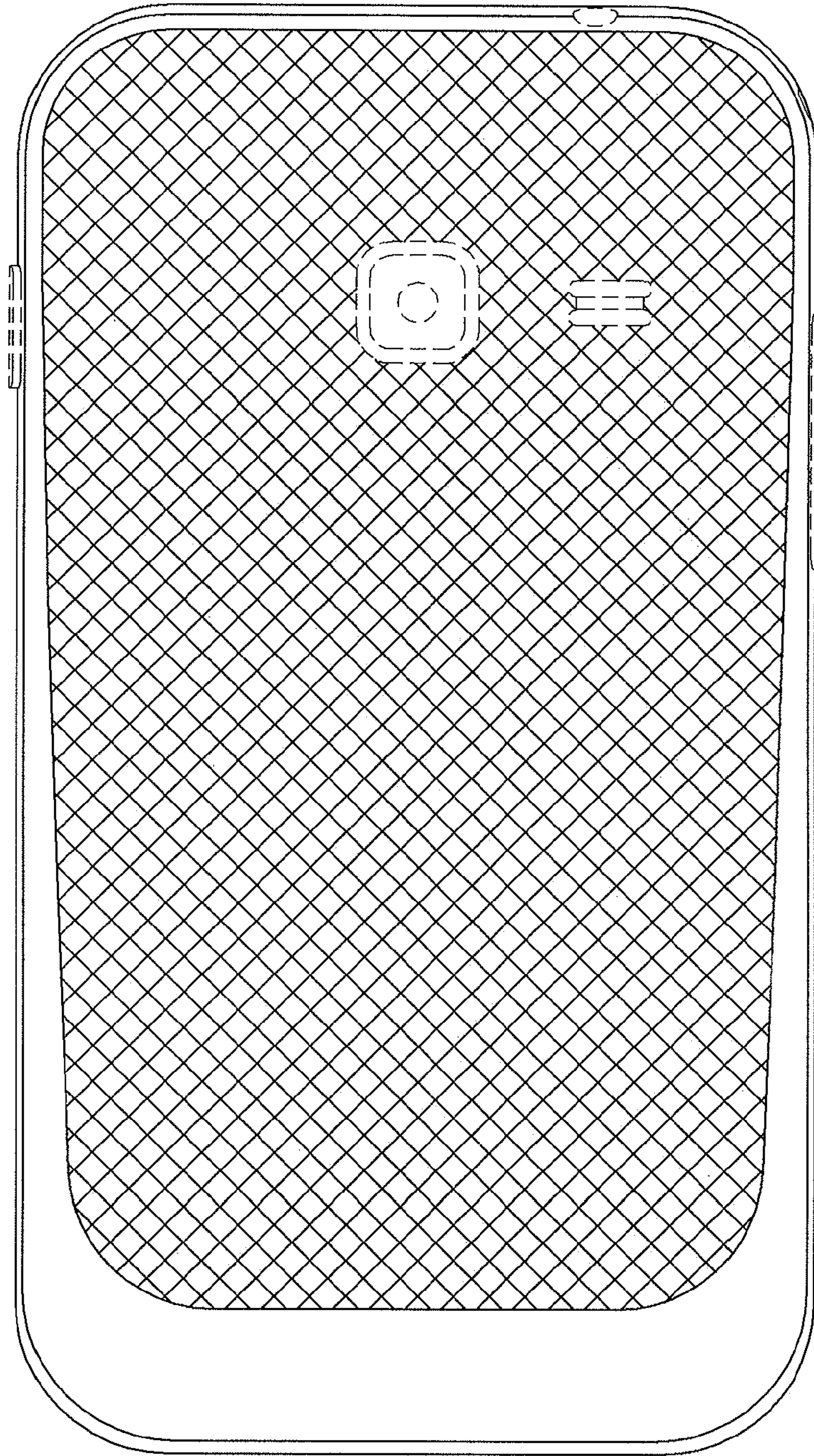


FIG. 4

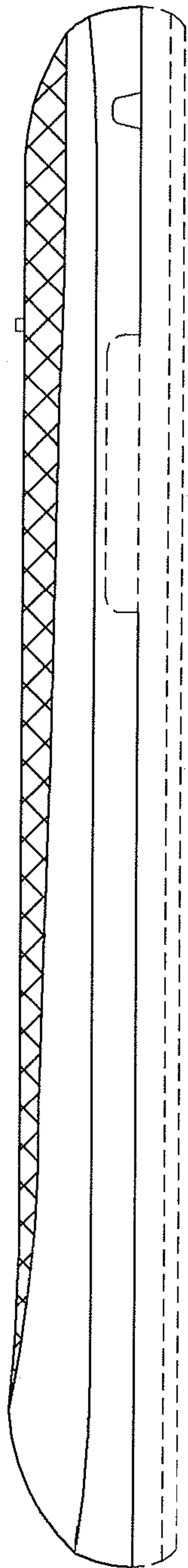


FIG. 5

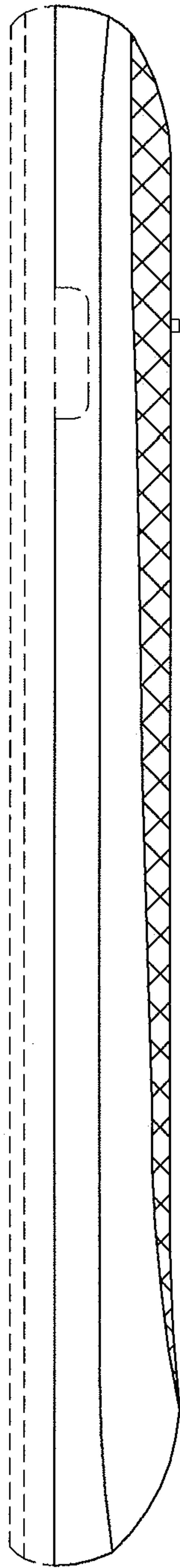


FIG. 6

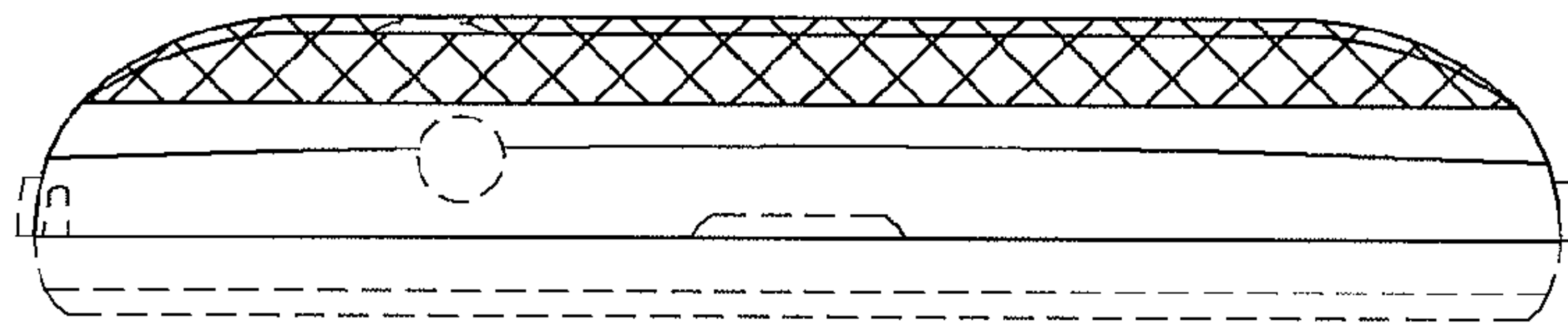


FIG. 7

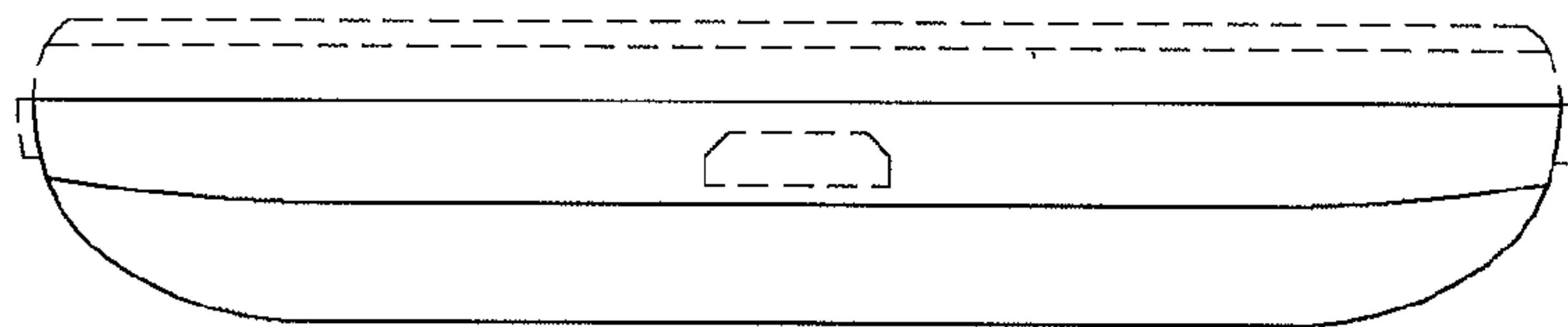


FIG. 8

