



US00D714777S

(12) **United States Design Patent**
Chang et al.

(10) **Patent No.:** **US D714,777 S**

(45) **Date of Patent:** **** Oct. 7, 2014**

(54) **PORTABLE INFORMATION HANDLING
SYSTEM HOUSING**

(71) Applicant: **Dell Products L.P.**, Round Rock, TX
(US)

(72) Inventors: **Sheng-Kuo Chang**, Taipei (TW);
Andrew P. Tosh, Cedar Park, TX (US);
Jeff A. Reed, Austin, TX (US); **Brian
Hargrove Leonard**, Austin, TX (US)

(73) Assignee: **Dell Products L.P.**, Round Rock, TX
(US)

(**) Term: **14 Years**

(21) Appl. No.: **29/440,382**

(22) Filed: **Dec. 20, 2012**

(51) **LOC (10) Cl.** **14-02**

(52) **U.S. Cl.**
USPC **D14/315**

(58) **Field of Classification Search**
USPC D14/315-327, 439; D18/1, 2, 7, 11;
235/145 A, 145 R; 341/22, 23; 345/104,
345/156, 168, 169, 173; 361/679.08,
361/679.09, 679.11, 679.26, 679.27;
16/367

See application file for complete search history.

(56) **References Cited**

U.S. PATENT DOCUMENTS

D384,043	S	*	9/1997	Tamaki	D14/318
D463,797	S	*	10/2002	Andre et al.	D14/327
6,775,129	B1	*	8/2004	Ghosh et al.	361/679.27
D529,908	S	*	10/2006	Wang	D14/318
D611,468	S	*	3/2010	Yun et al.	D14/315
D664,532	S	*	7/2012	Lee	D14/315
2005/0018396	A1	*	1/2005	Nakajima et al.	361/683

* cited by examiner

Primary Examiner — Freda S Nunn

(74) *Attorney, Agent, or Firm* — Terrile, Cannatti, Chambers
& Holland, LLP; Robert W. Holland

(57) **CLAIM**

We claim the ornamental design for the portable information
handling system housing, as shown and described.

DESCRIPTION

FIG. 1 is a front perspective view of the portable information
handling system housing in a closed position comprising the
present invention;

FIG. 2 is an enlarged fragmented view of the hinge portion
thereof shown separately for clarity of illustration only;

FIG. 3 is an enlarged fragmented left side view thereof shown
separately for clarity of illustration only;

FIG. 4 is an enlarged fragmented front side view thereof
shown separately for clarity of illustration only;

FIG. 5 is a front side view thereof;

FIG. 6 is a rear view thereof;

FIG. 7 is an enlarged fragmented rear view of a section of the
hinge portion thereof shown separately for clarity of illustration
only;

FIG. 8 is a right side view thereof;

FIG. 9 is a left side view thereof;

FIG. 10 is a top view thereof in a closed position;

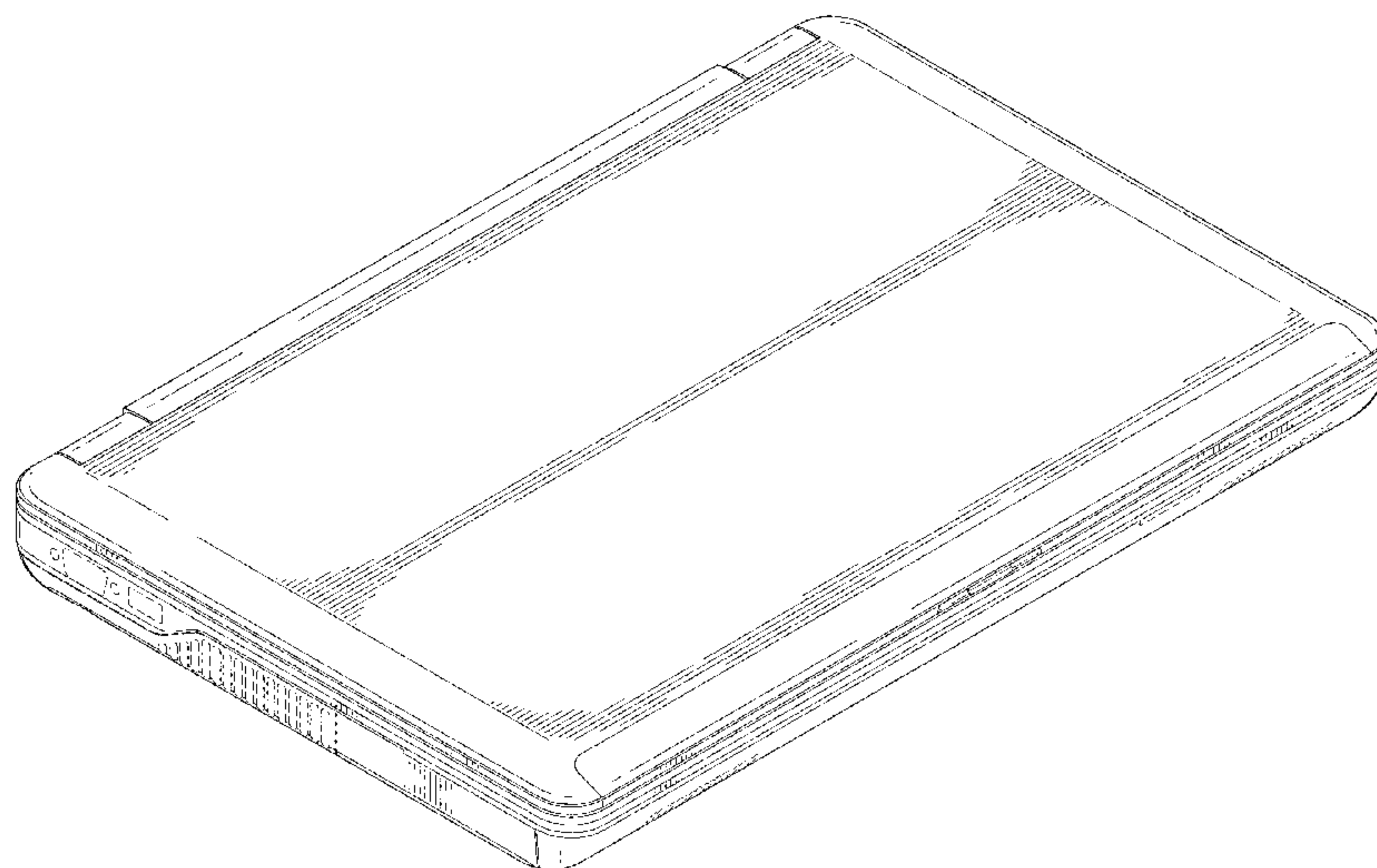
FIG. 11 is a bottom view thereof;

FIG. 12 is a front perspective view in an open position thereof;
FIG. 13 is an enlarged view of a display portion in an open
position thereof shown separately for clarity of illustration
only; and,

FIG. 14 is an enlarged fragmented view of a keyboard portion
in an open position thereof shown separately for clarity of
illustration only.

Broken lines shown in the drawings illustrate portions of the
portable information handling system housing, and form no
part of the claimed design.

1 Claim, 11 Drawing Sheets



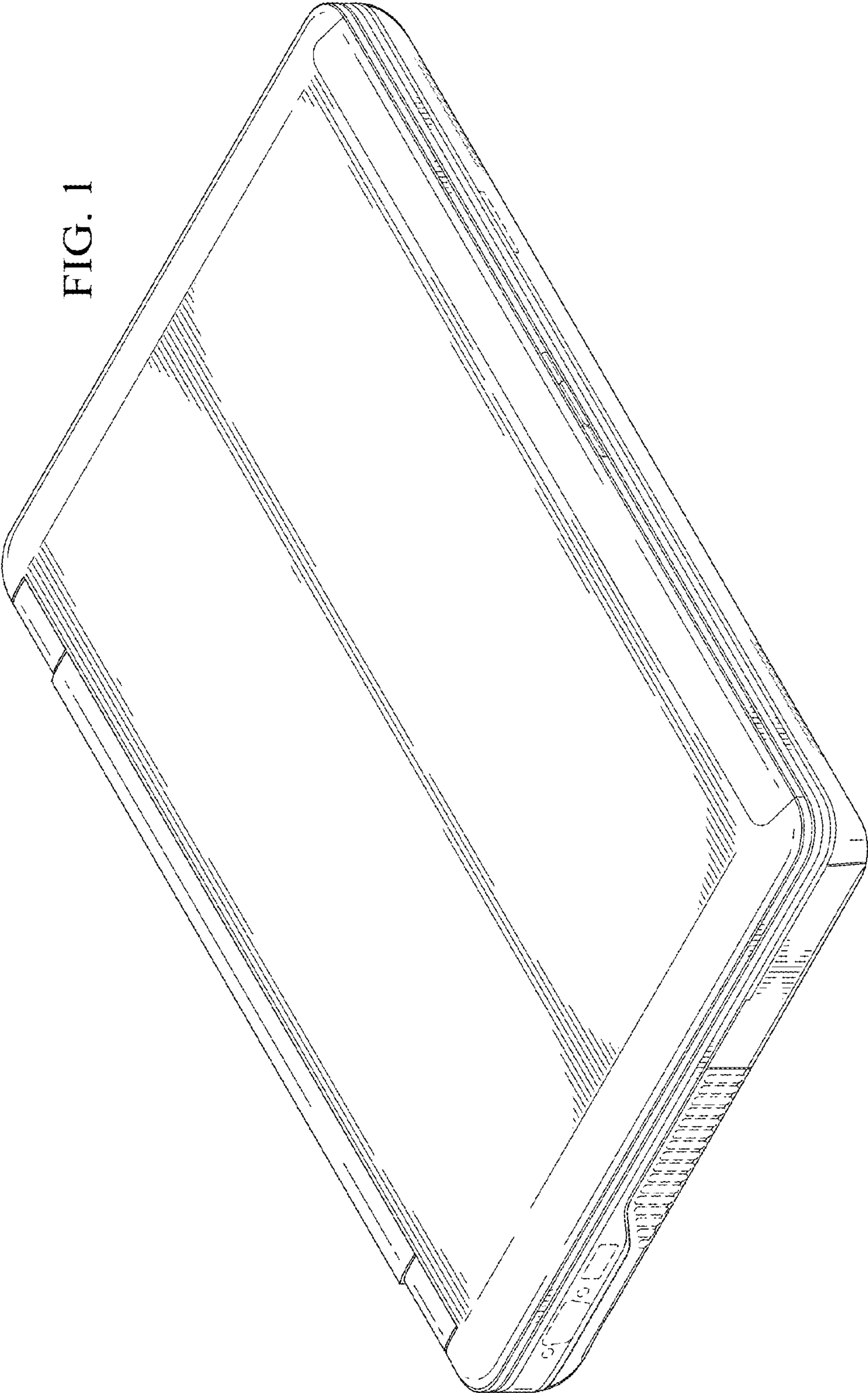


FIG. 1

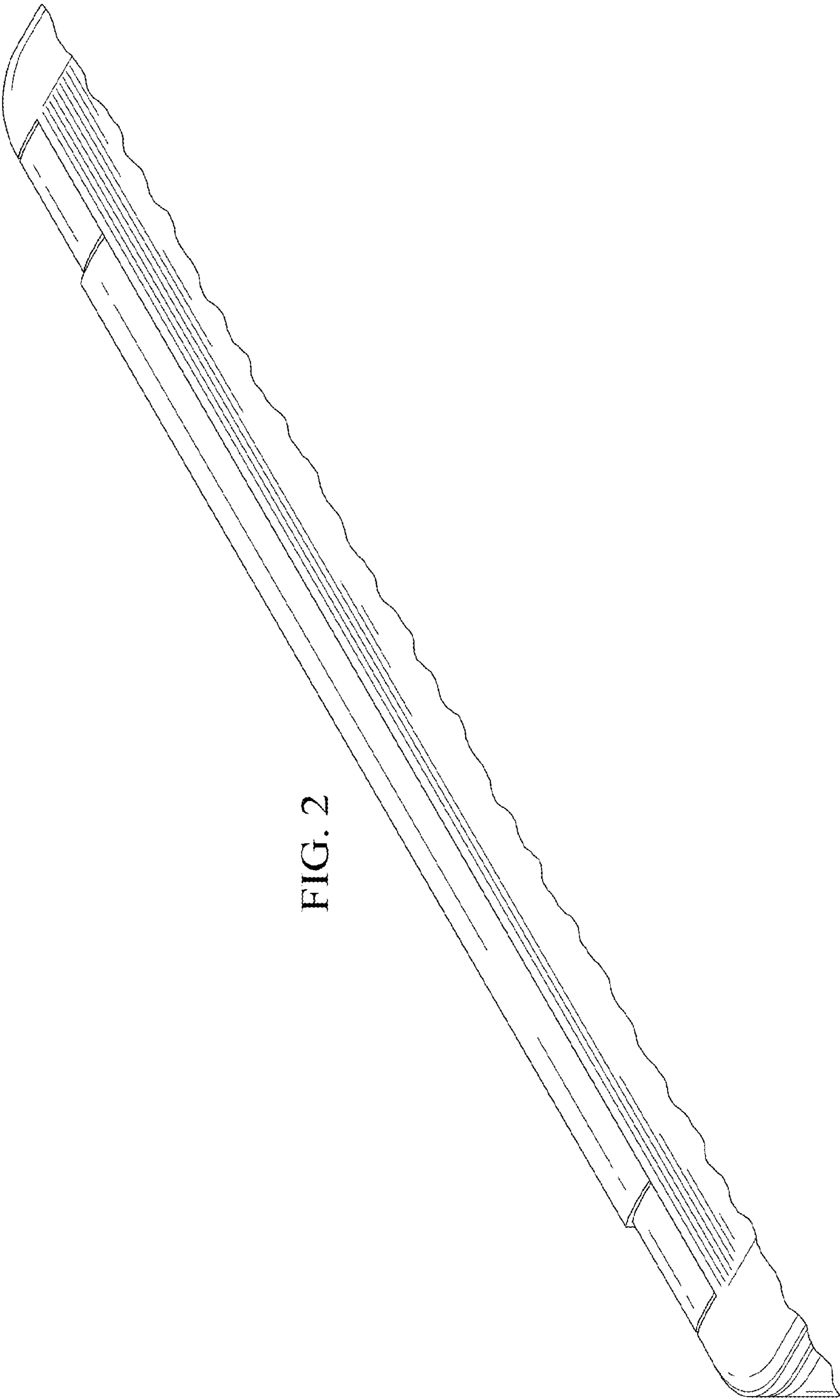


FIG. 2

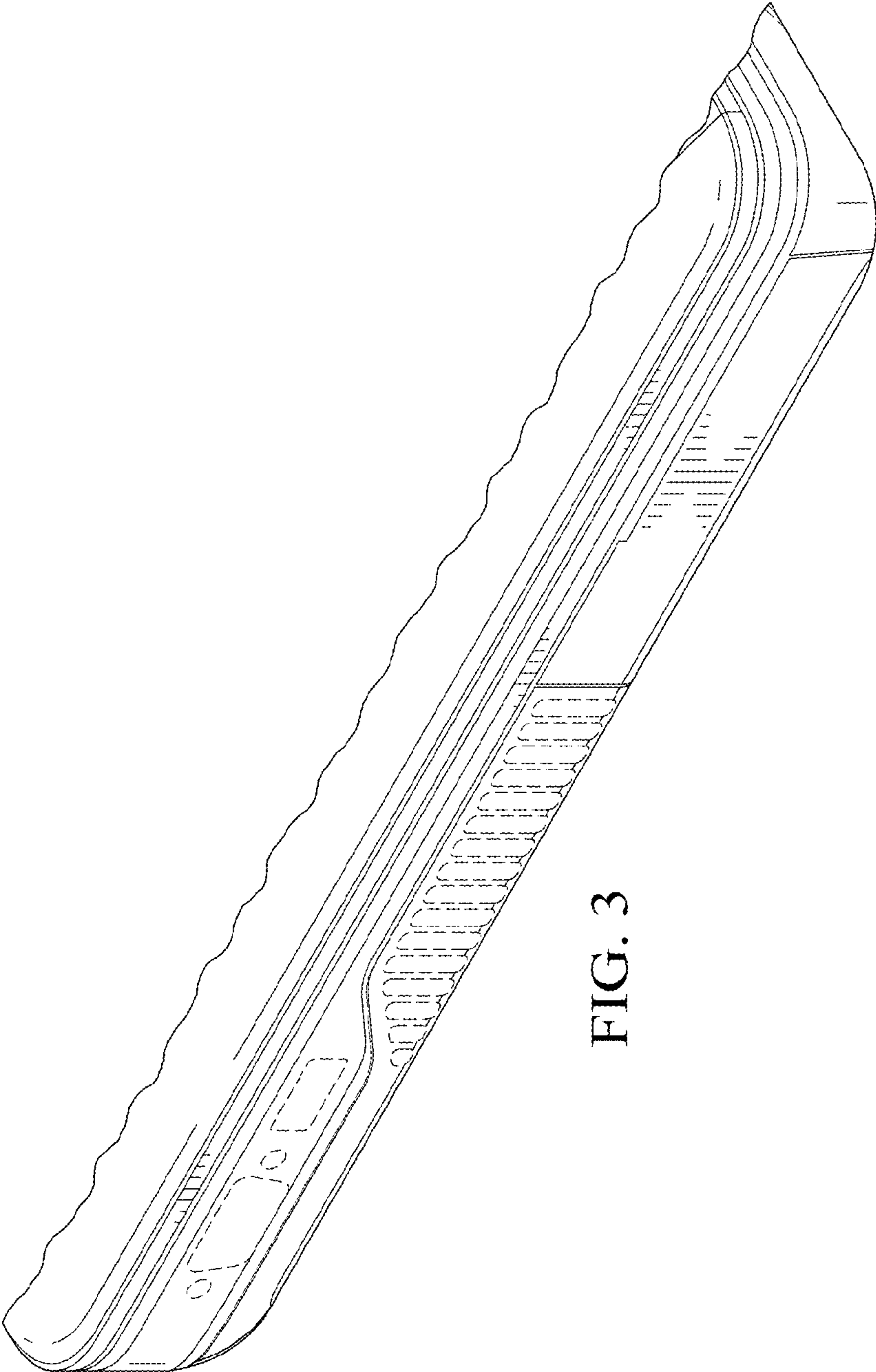


FIG. 3

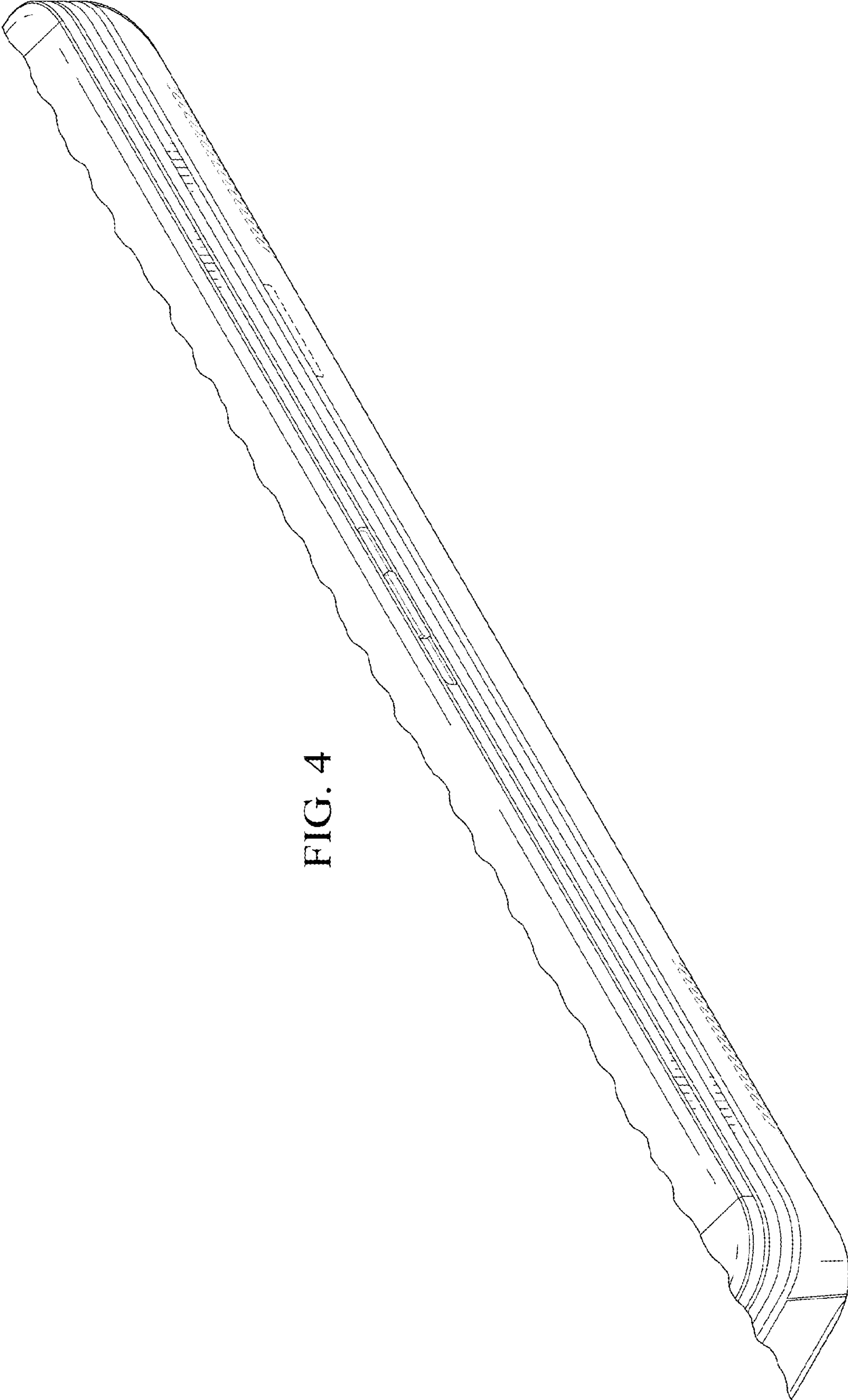


FIG. 4

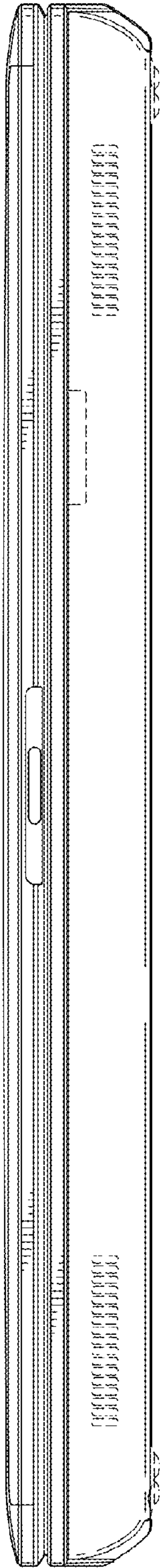


FIG. 5

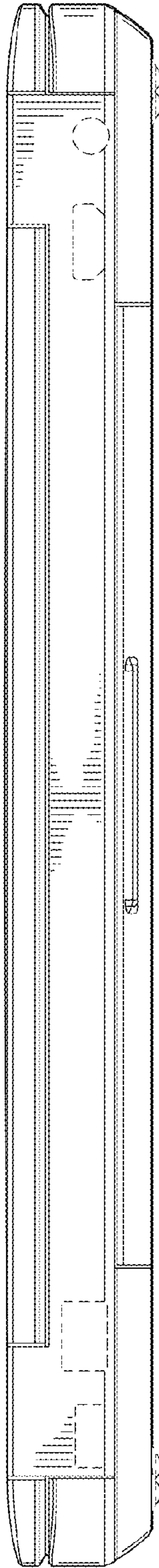


FIG. 6

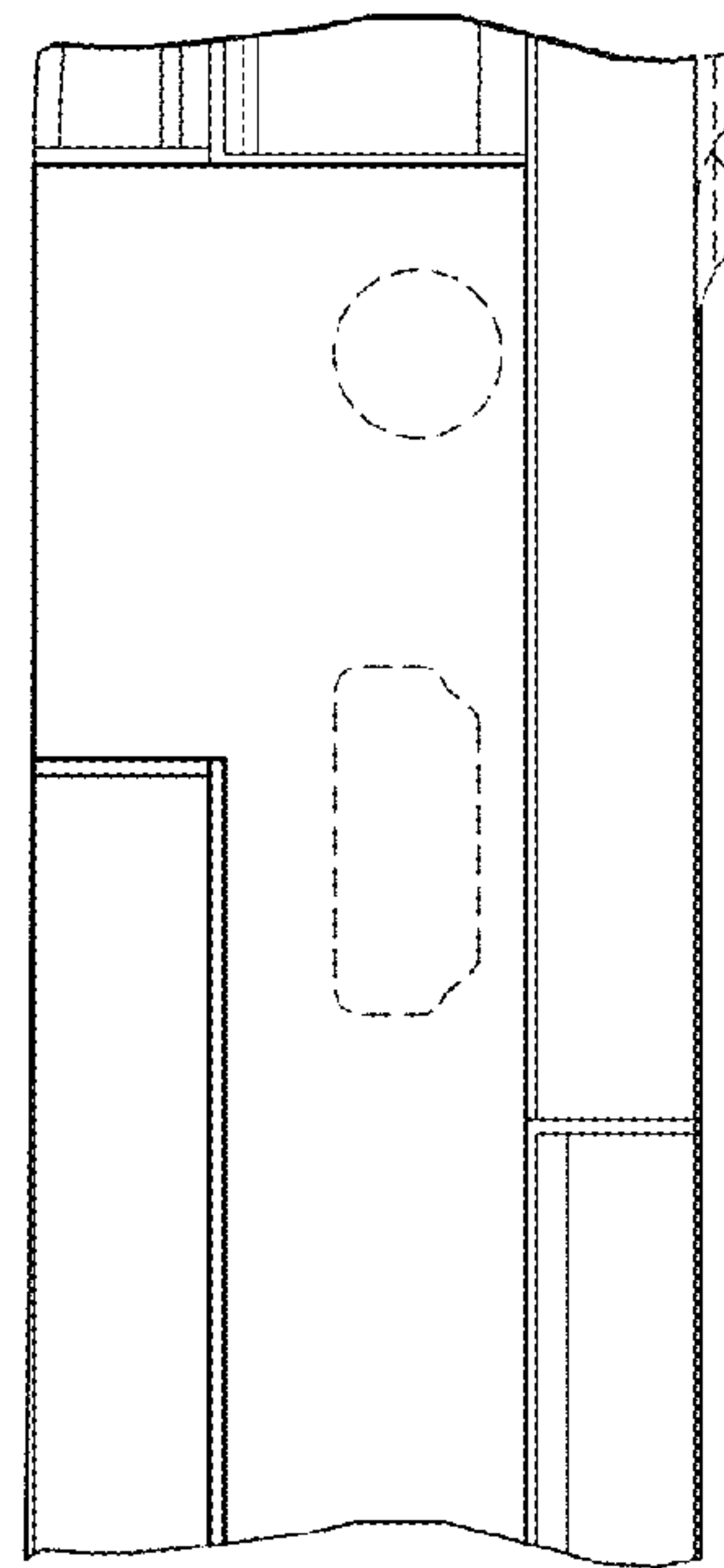


FIG. 7

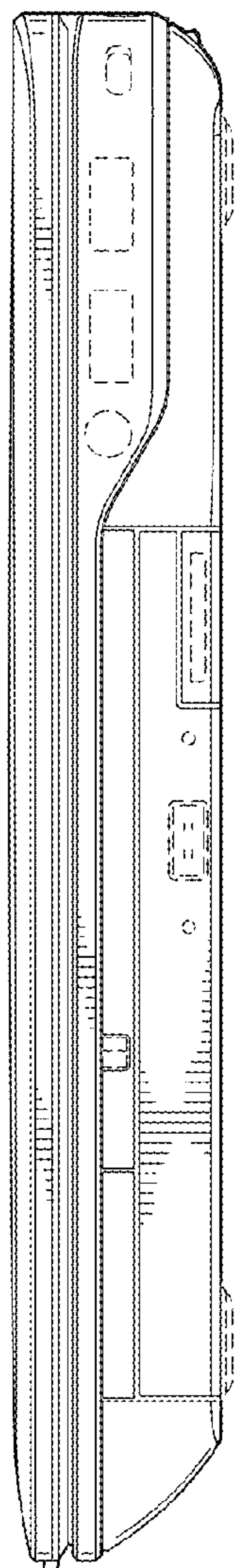


FIG. 8

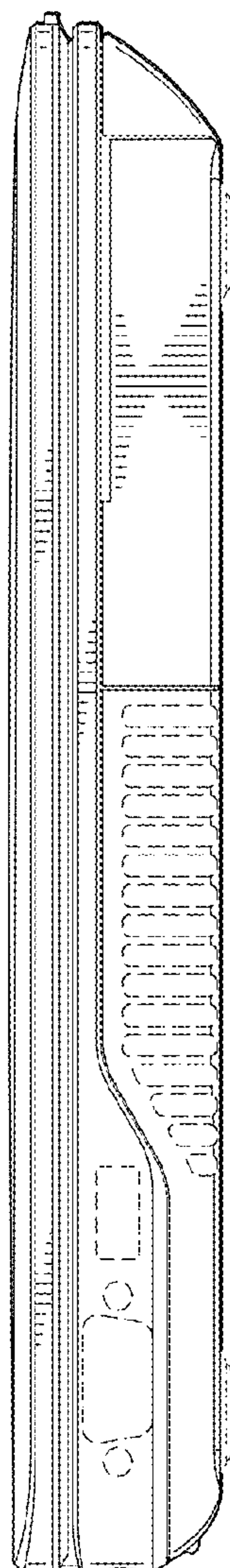


FIG. 9

FIG. 10

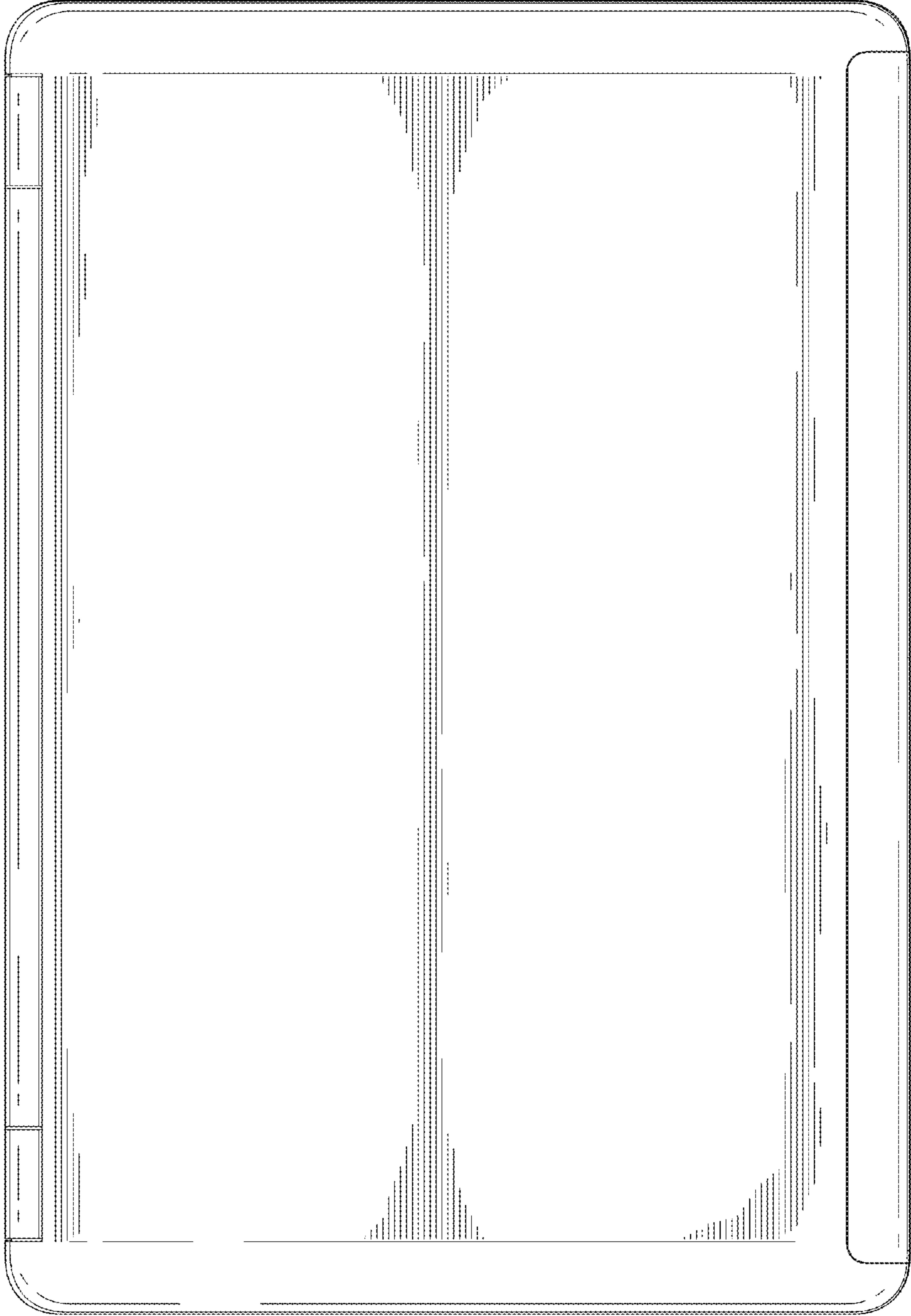
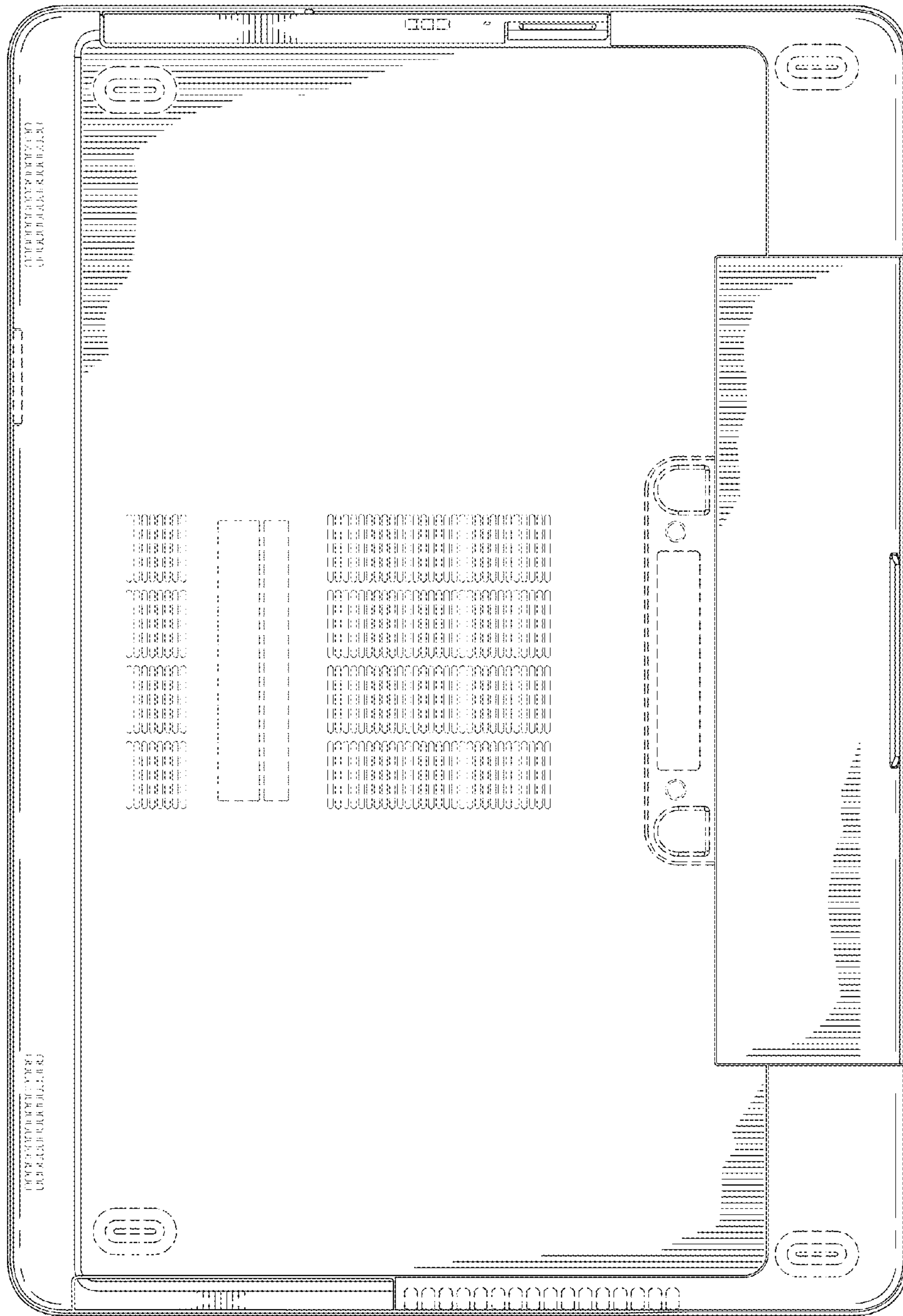


FIG. 11



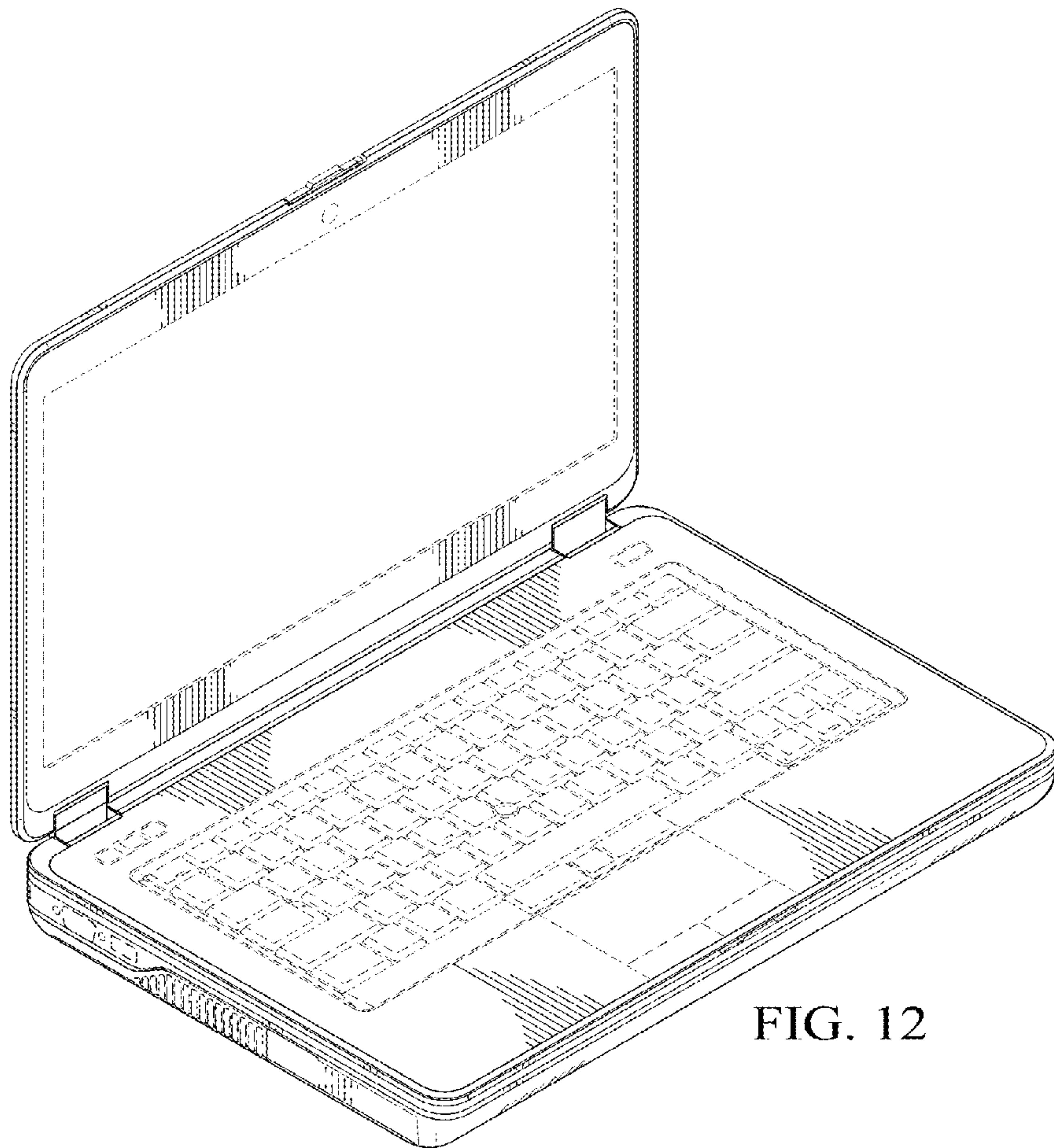


FIG. 12

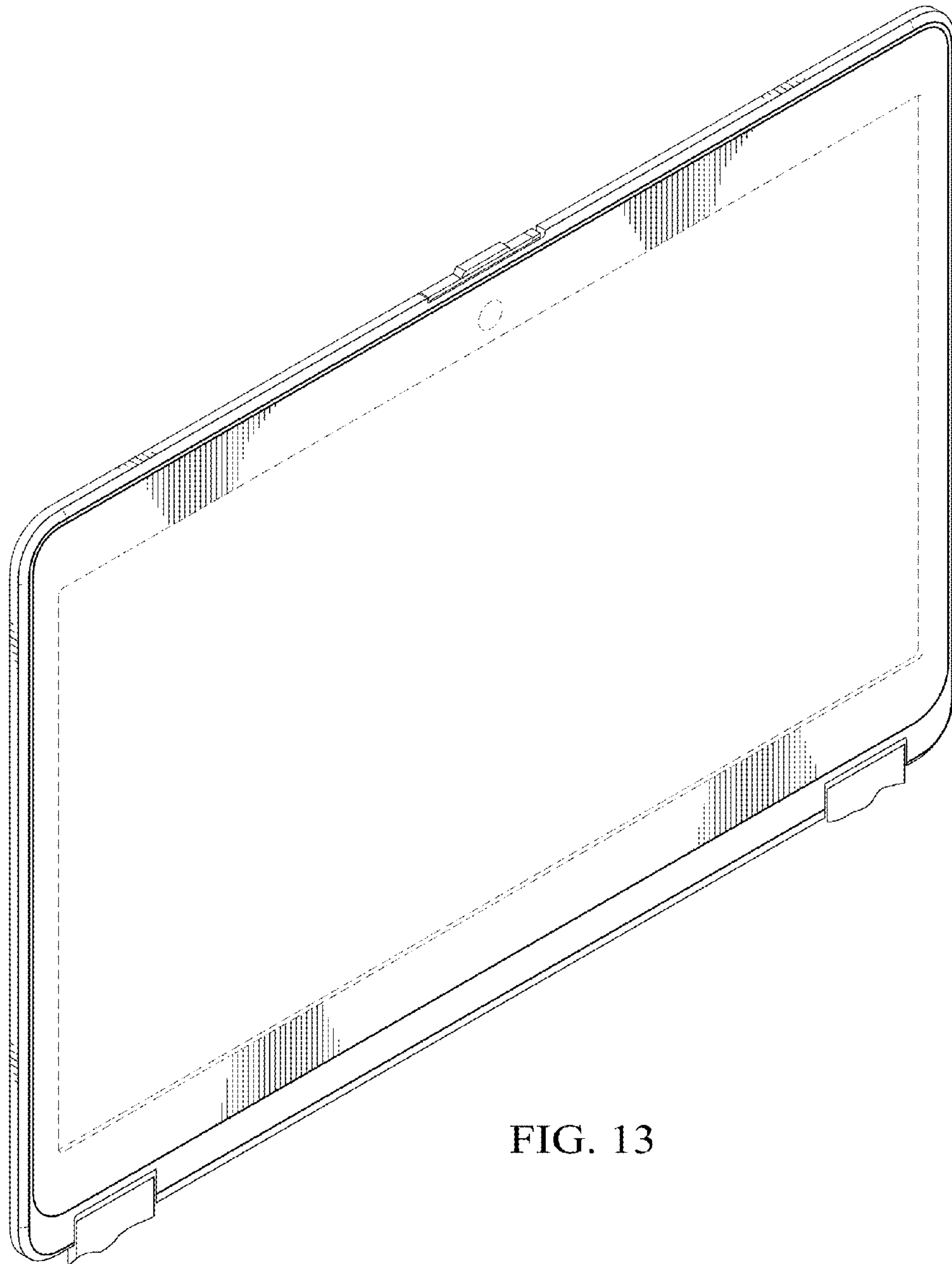


FIG. 13

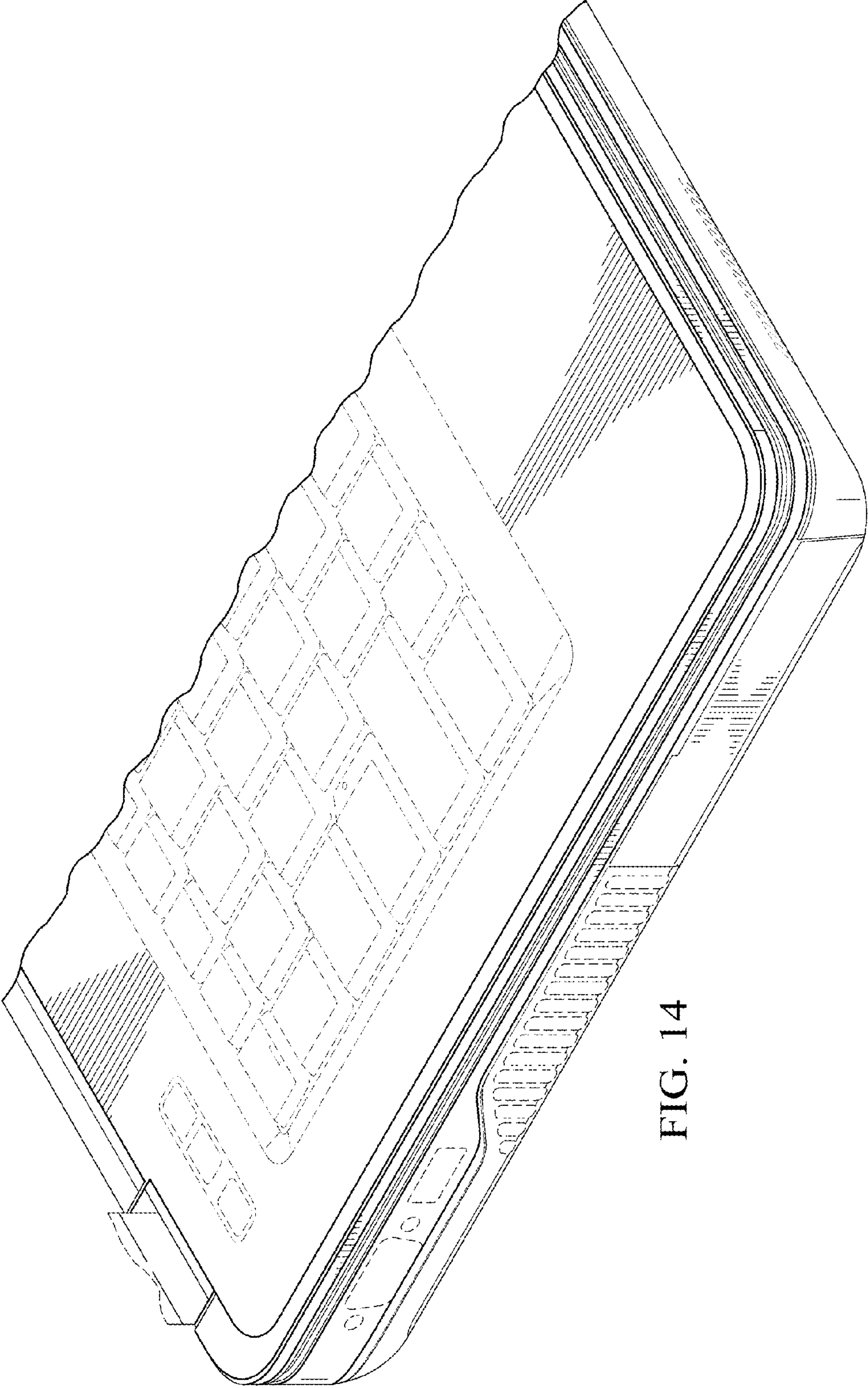


FIG. 14