



US00D714775S

(12) **United States Design Patent**  
**Yoo et al.**

(10) **Patent No.:** **US D714,775 S**  
(45) **Date of Patent:** **\*\* Oct. 7, 2014**

(54) **SUPPORTER FOR PORTABLE TERMINAL**

(71) Applicant: **Samsung Electronics Co., Ltd.**,  
Suwon-si (KR)  
(72) Inventors: **Eun-Kyung Yoo**, Seoul (KR); **Hyo-In Ahn**, Seoul (KR); **Ji-Su Jung**, Yongin-si (KR); **Dong-Goo Kang**, Seoul (KR); **Say Jang**, Yonginsi (KR)

(73) Assignee: **Samsung Electronics Co., Ltd.** (KR)

(\*\*) Term: **14 Years**

(21) Appl. No.: **29/486,773**

(22) Filed: **Apr. 2, 2014**

(30) **Foreign Application Priority Data**

Oct. 24, 2013 (KR) ..... 30-2013-0053547

(51) **LOC (10) Cl.** ..... **14-03**

(52) **U.S. Cl.**  
USPC ..... **D14/253**; D14/447

(58) **Field of Classification Search**  
USPC ..... D14/203.3–203.7, 209.1, 216, 217,  
D14/224.1, 238.1, 243, 250–253, 302, 321,  
D14/420–423, 434, 440, 447; 455/575.1;  
320/114, 115; 150/165; 361/679.56,  
361/679.3, 679.25; 379/426, 446, 455,  
379/433.1; D13/107, 108, 144; D3/201,  
D3/215, 218, 226, 269, 273, 301, 303;  
D26/51, 52, 106, 107, 138  
See application file for complete search history.

(56) **References Cited**

**U.S. PATENT DOCUMENTS**

D364,388 S \* 11/1995 Miyahara ..... D14/423  
D393,853 S \* 4/1998 Maas ..... D14/126  
7,626,634 B2 \* 12/2009 Ohki et al. .... 348/373  
7,899,310 B2 \* 3/2011 Hsieh et al. .... 396/5

7,929,050 B2 \* 4/2011 Liang et al. .... 348/373  
D642,608 S \* 8/2011 Kato ..... D16/232  
D647,906 S \* 11/2011 Shen ..... D14/423  
8,054,377 B2 \* 11/2011 Hsu ..... 348/373  
D652,045 S \* 1/2012 Hong ..... D14/447  
D654,054 S \* 2/2012 Kohte et al. .... D14/217  
8,137,010 B2 \* 3/2012 Yoshida et al. .... 396/428  
D658,189 S \* 4/2012 Zhao et al. .... D14/447  
D667,042 S \* 9/2012 Shen ..... D16/232  
D672,782 S \* 12/2012 Gross ..... D14/447  
D677,707 S \* 3/2013 Shen ..... D16/232  
D685,017 S \* 6/2013 Kato ..... D16/235  
D690,306 S \* 9/2013 Malisse et al. .... D14/447  
8,576,557 B2 \* 11/2013 Chu ..... 361/679.3  
D699,242 S \* 2/2014 Hu ..... D14/423  
2007/0035655 A1 \* 2/2007 Chen et al. .... 348/373

\* cited by examiner

*Primary Examiner* — Susan Bennetthattan

*Assistant Examiner* — Janice Hallmark

(74) *Attorney, Agent, or Firm* — Cantor Colburn LLP

(57) **CLAIM**

We claim, the ornamental design for a supporter for portable terminal, as shown and described.

**DESCRIPTION**

FIG. 1 is a perspective view of a supporter for portable terminal, showing our new design;  
FIG. 2 is a front elevation view thereof;  
FIG. 3 is a rear elevation view thereof;  
FIG. 4 is a side elevation view thereof;  
FIG. 5 is another side elevation view thereof;  
FIG. 6 is a top plan view thereof;  
FIG. 7 is a bottom plan view thereof;  
FIG. 8 is another perspective view thereof, as shown in an alternate configuration; and,  
FIG. 9 is another perspective view thereof, as shown in a portable terminal environment.  
The broken lines depict environmental subject matter only and form no part of the claimed design.

**1 Claim, 8 Drawing Sheets**

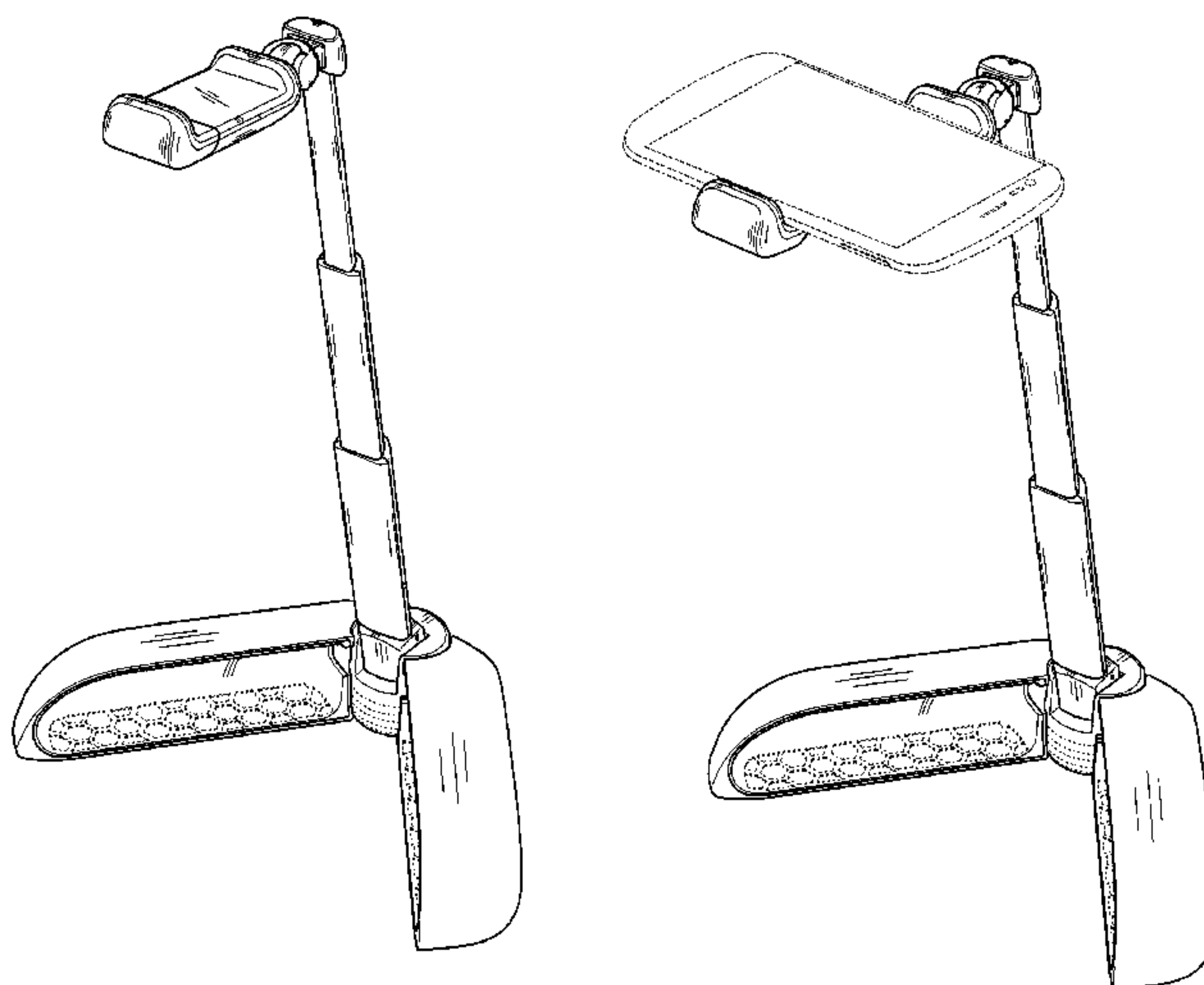


FIG. 1

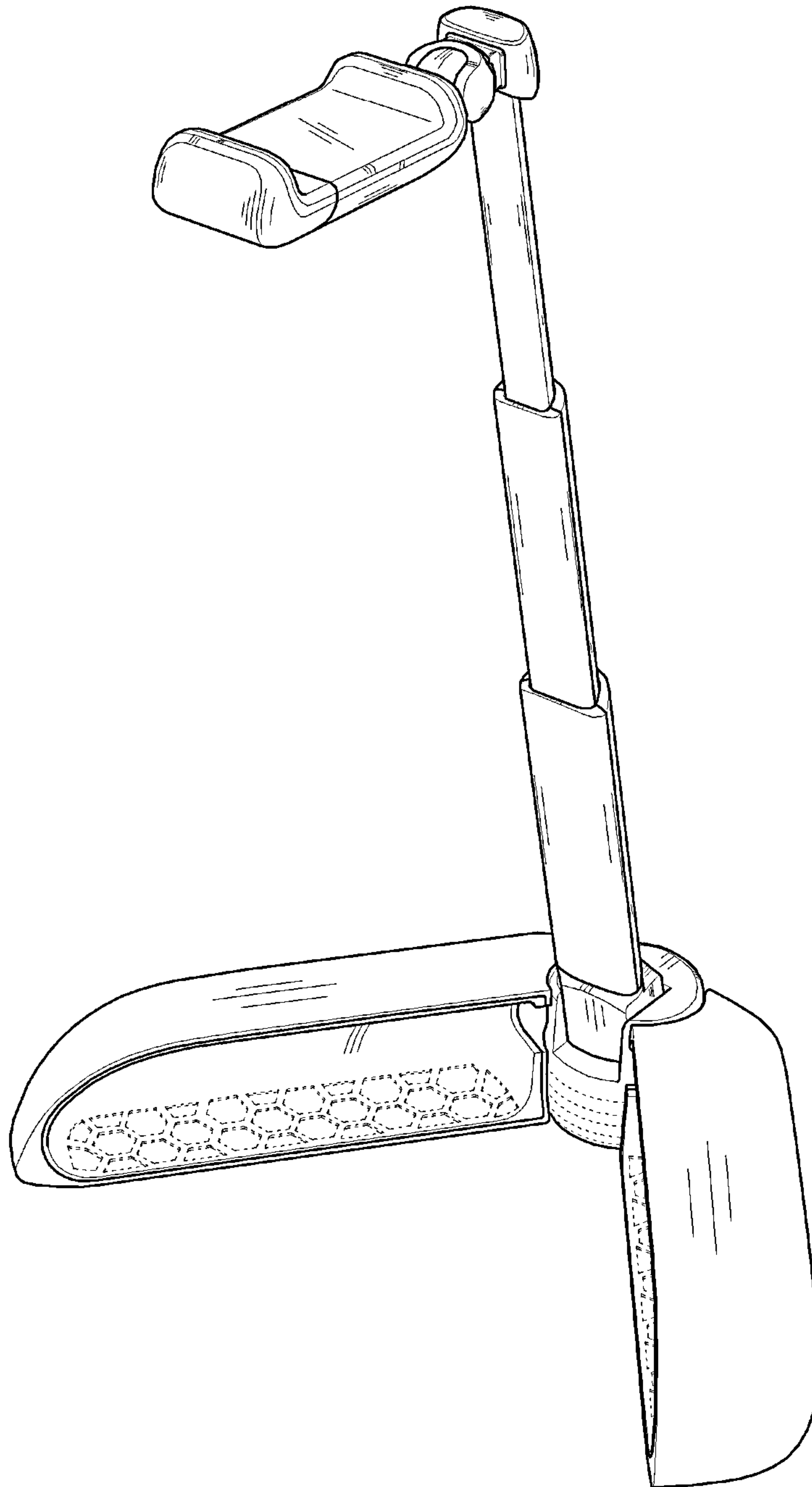


FIG. 2

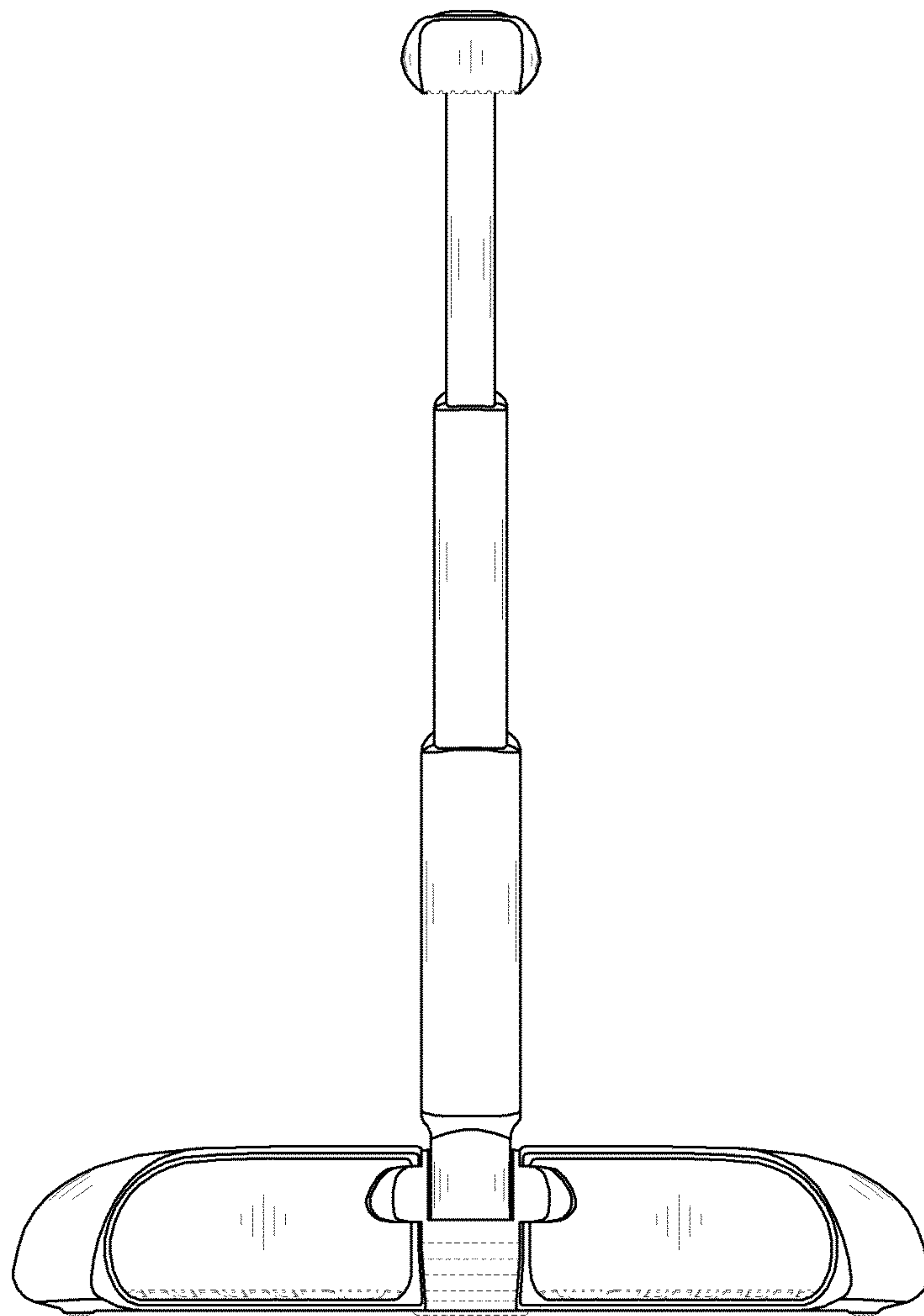


FIG. 3

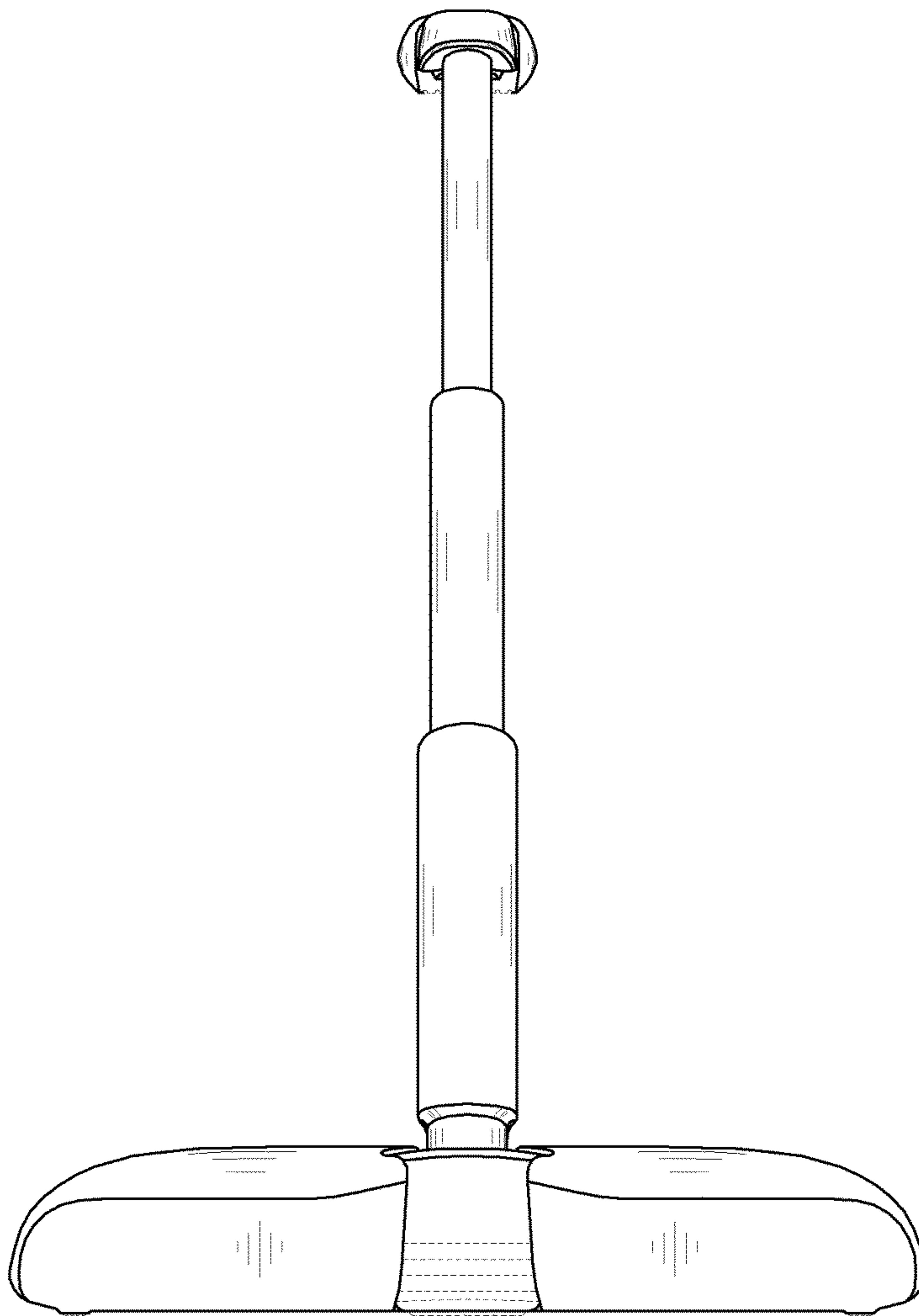


FIG. 4

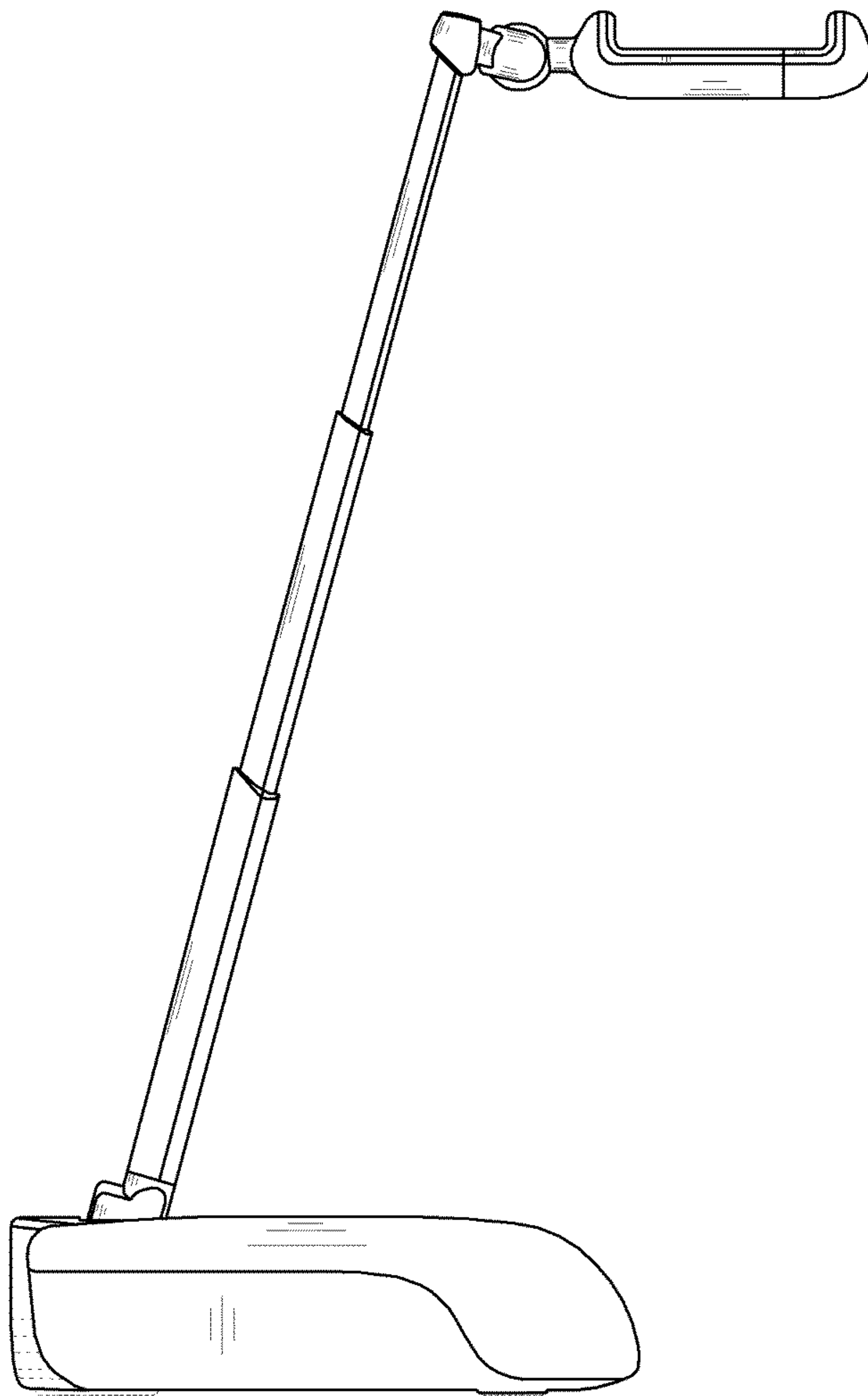


FIG. 5

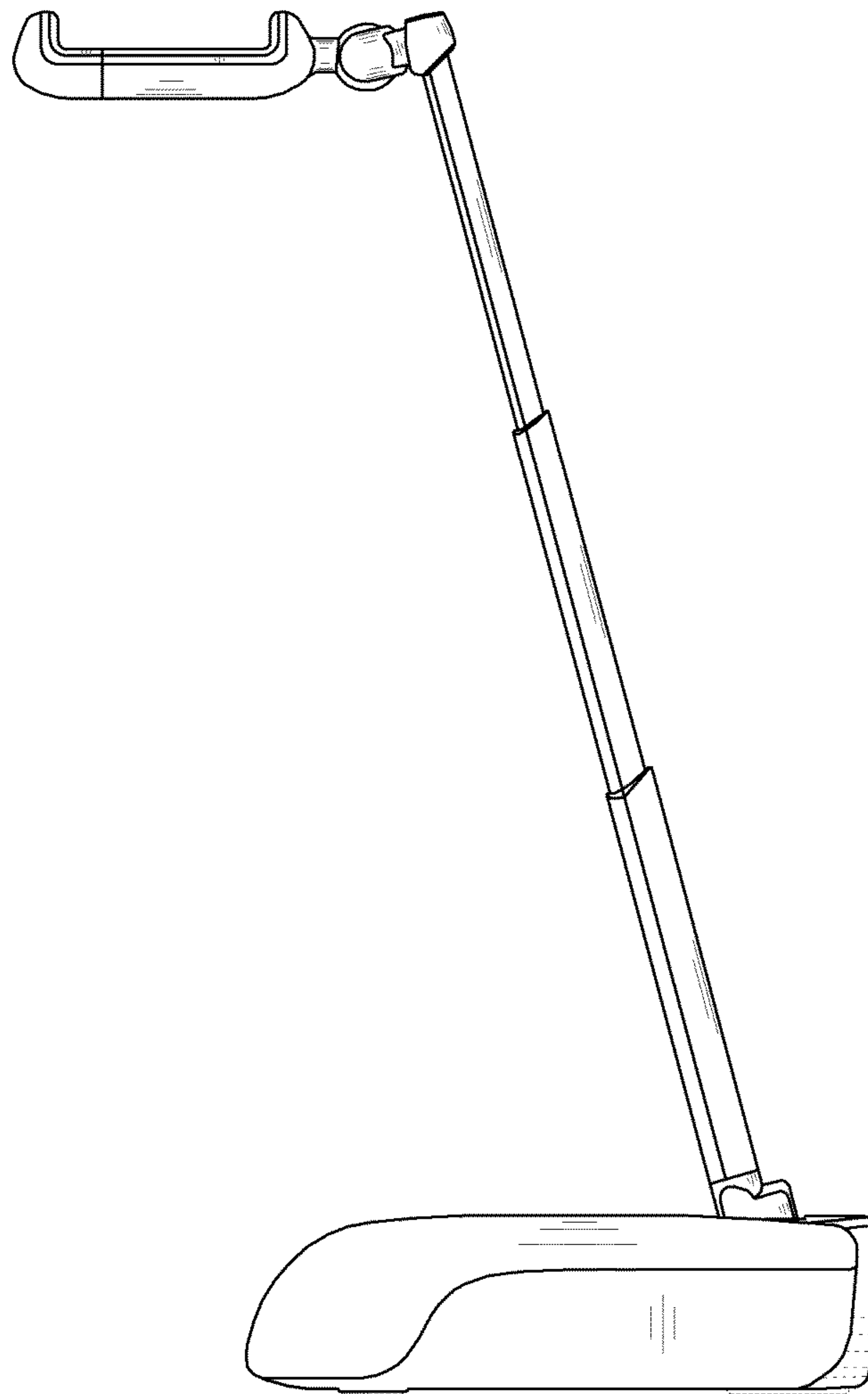


FIG. 6

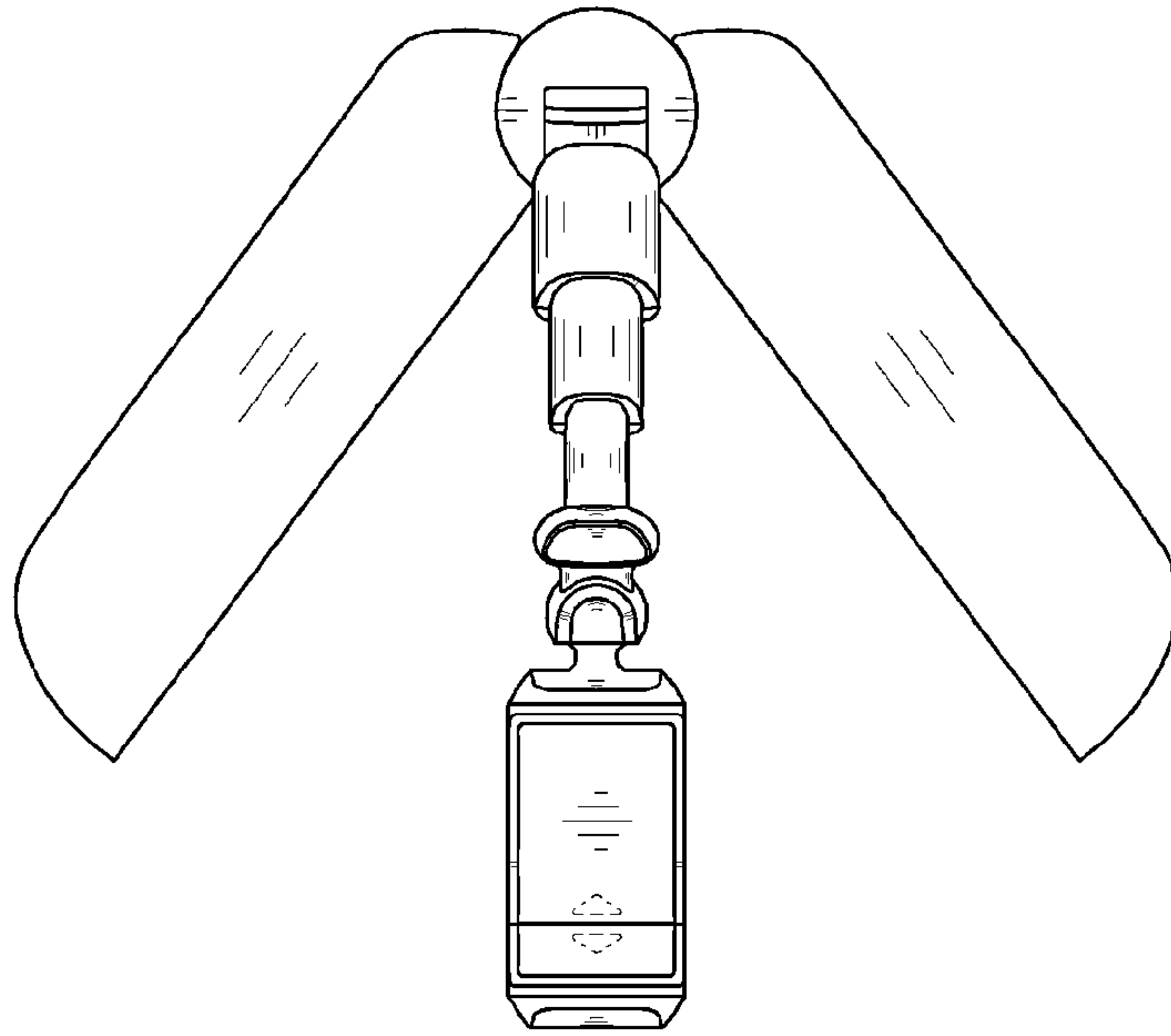


FIG. 7

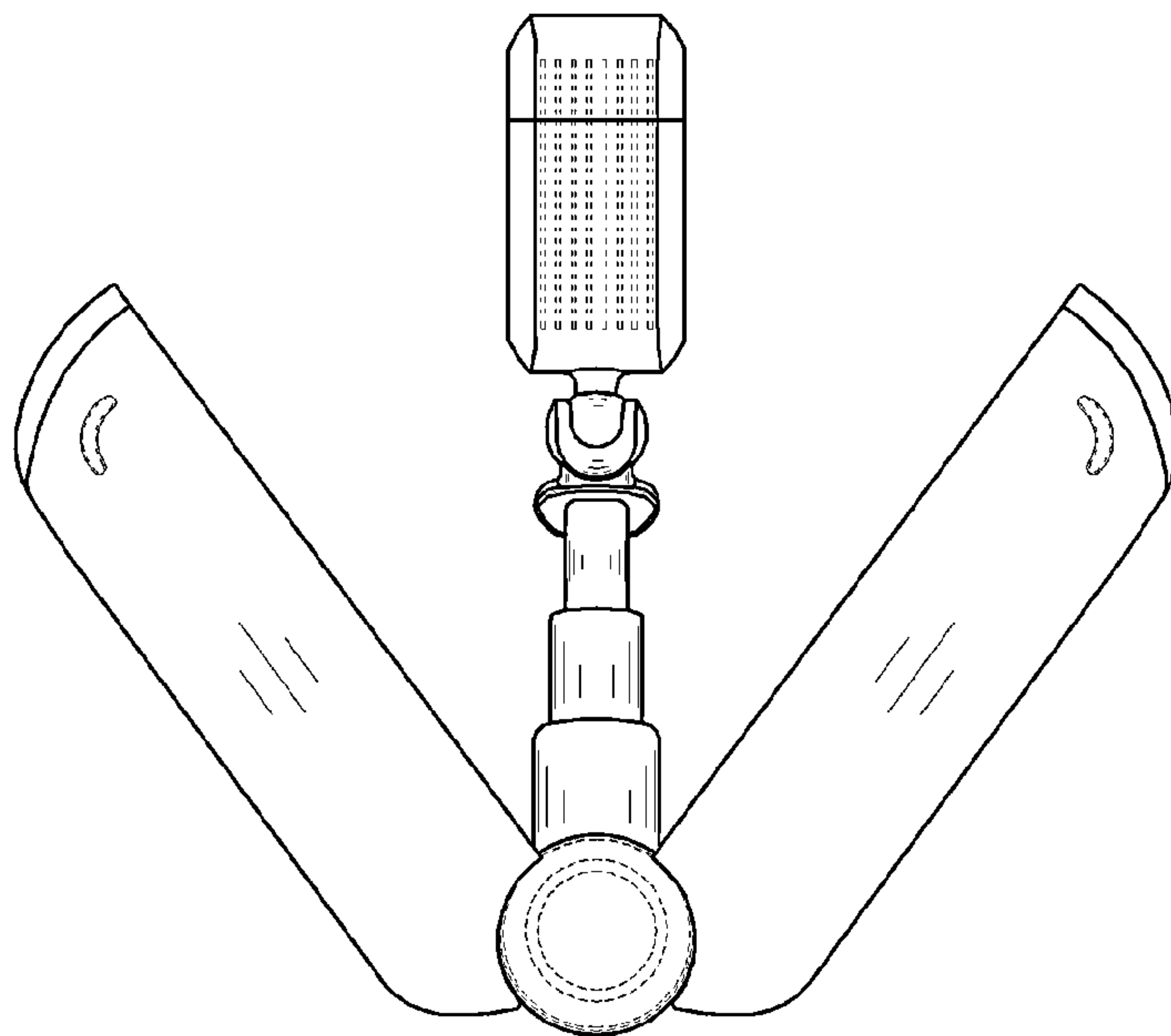




FIG. 8

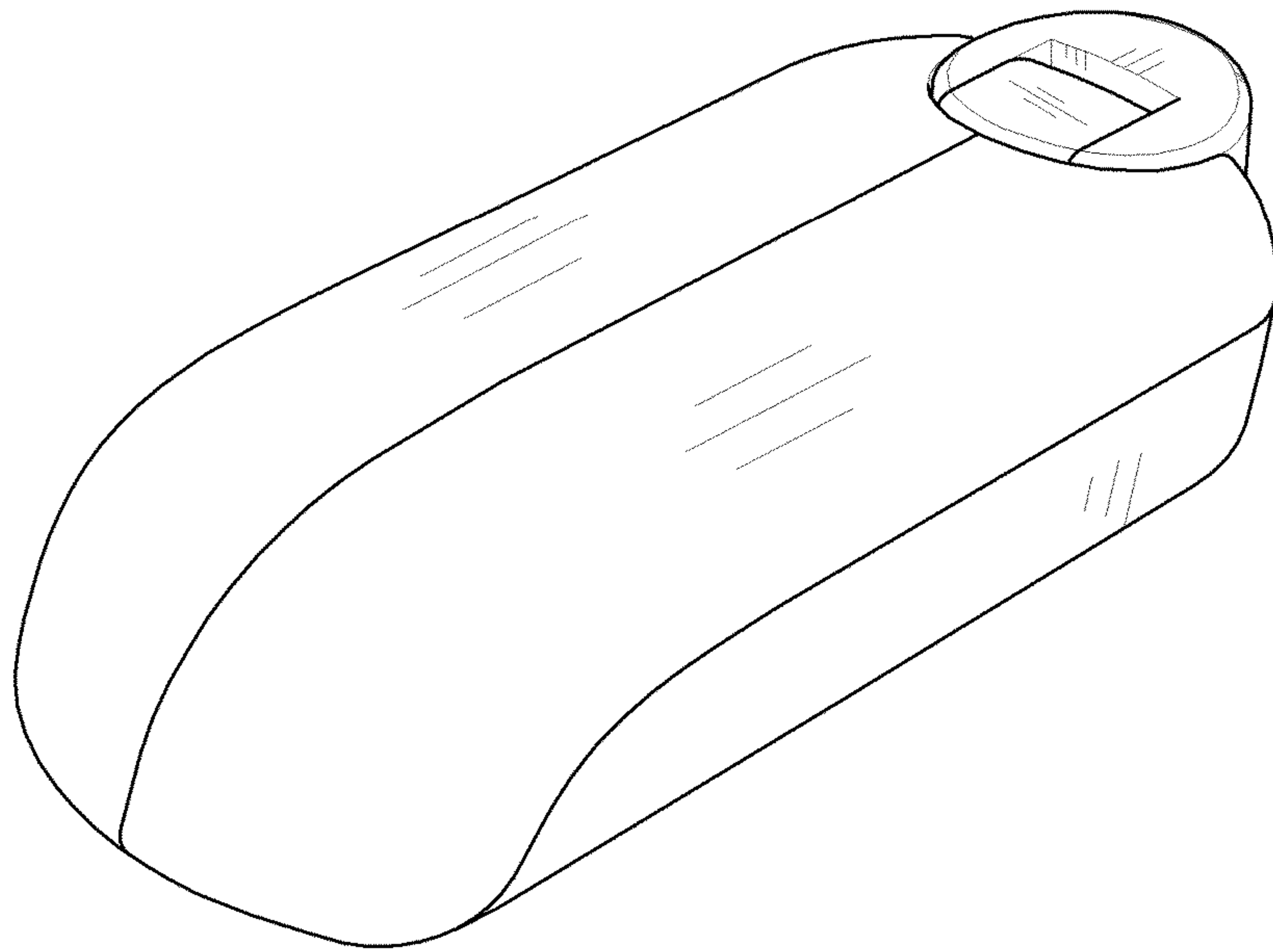




FIG. 9

