



US00D714769S

(12) **United States Design Patent**  
**Rayner**

(10) **Patent No.:** **US D714,769 S**  
(45) **Date of Patent:** **\*\* Oct. 7, 2014**

(54) **CASE FOR AN ELECTRONIC DEVICE**

FOREIGN PATENT DOCUMENTS

(75) Inventor: **Gary Rayner**, Lemon Grove, CA (US)

CN	2012146005	2/2012
CN	301904665	5/2012
DE	202011102780	7/2011

(73) Assignee: **TreeFrog Developments, Inc.**, San Diego, CA (US)

OTHER PUBLICATIONS

(\*\*) Term: **14 Years**

iLounge Review of LifeProof Case for iPhone 4/4s, published on Aug. 4, 2011, <URL:http://www.ilounge.com/index.php/reviews/entry/lifeproof-cases-for-iphone-4/>, retrieved from internet on Jul. 2, 2013.

(21) Appl. No.: **29/430,117**

(22) Filed: **Aug. 21, 2012**

(Continued)

**Related U.S. Application Data**

*Primary Examiner* — Thomas Johannes

*Assistant Examiner* — Chelsea Sealey

(63) Continuation-in-part of application No. 29/429,722, filed on Aug. 15, 2012, which is a continuation of application No. 13/272,156, filed on Oct. 12, 2011, now Pat. No. 8,342,325.

(74) *Attorney, Agent, or Firm* — Lathrop & Gage LLP

(51) **LOC (10) Cl.** ..... **14-03**

(57) **CLAIM**

The ornamental design for a case for an electronic device, as shown and described.

(52) **U.S. Cl.**

USPC ..... **D14/250**

**DESCRIPTION**

(58) **Field of Classification Search**

USPC ..... D14/138 AD, 138 C, 138 G, 203.7, 230, D14/238.1, 240, 247, 248, 250, 253, 341, D14/345, 346, 439, 440, 447; D13/103, D13/107, 119; D3/218; 206/320; 220/662; 361/679.27, 679.55; 455/575.1, 575.4, 455/575.8

See application file for complete search history.

FIG. 1 is a perspective view of the front, top and left sides of a case for an electronic device showing my new design; FIG. 2 is a perspective view of the front, top and right sides thereof; FIG. 3 is a perspective view of the rear, bottom and left sides thereof; FIG. 4 is an elevation view of the right side thereof; FIG. 5 is an elevation view of the left side thereof; FIG. 6 is a top plan view thereof; FIG. 7 is a bottom plan view thereof; and, FIG. 8 is a close up view of the right portion of the front side from callout 8 in FIG. 1 thereof.

(56) **References Cited**

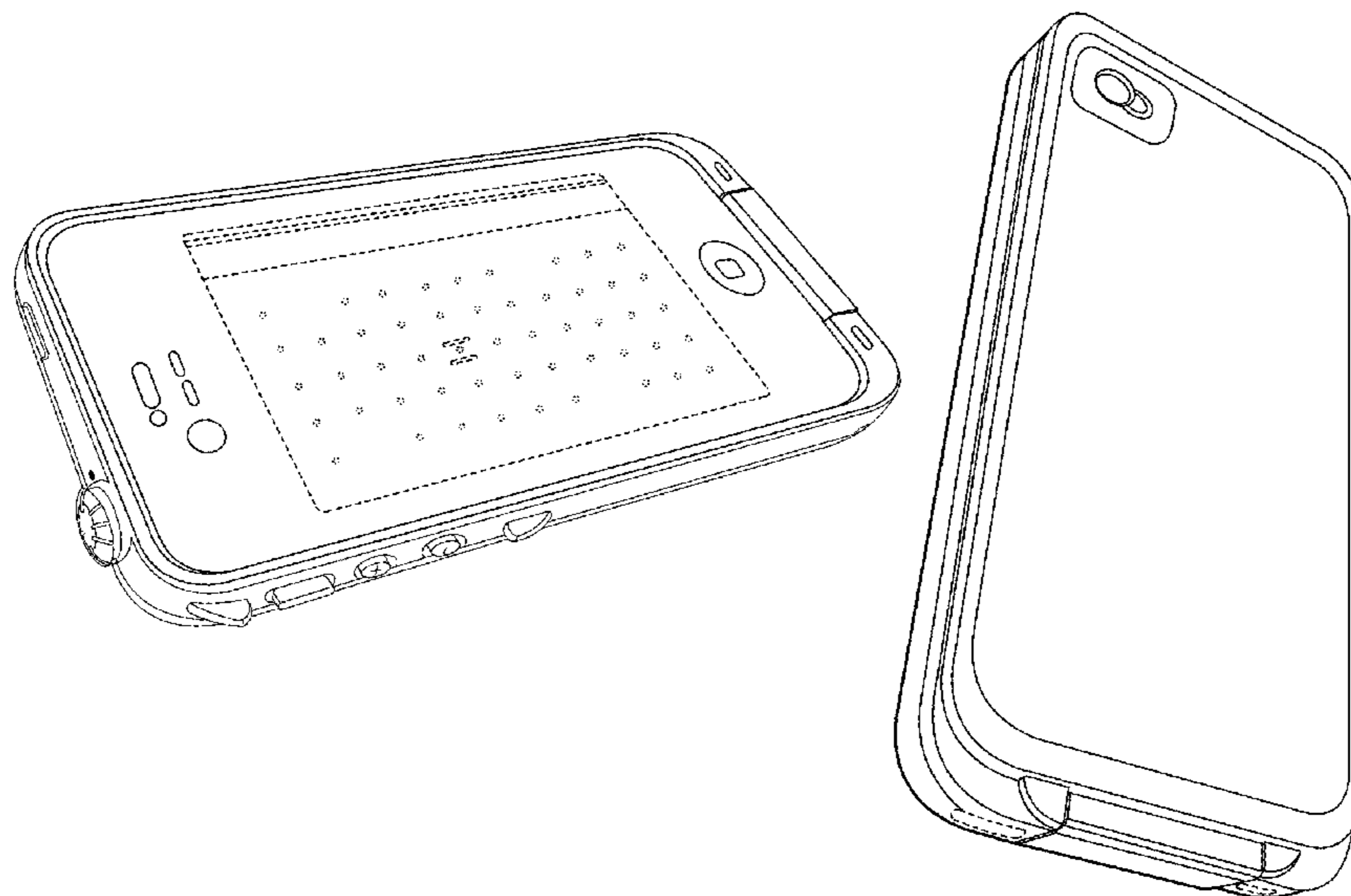
**U.S. PATENT DOCUMENTS**

D243,698 S 3/1977 Gietzen  
4,335,930 A 6/1982 Feldman

The broken line portion of the figure drawings is included to show unclaimed subject matter only and forms no part of the claimed design; and, the use of a broken line callout and frame in FIGS. 1 and 8 is for special descriptive purposes only, and these lines form no part of the claimed design.

(Continued)

**1 Claim, 8 Drawing Sheets**



(56)

References Cited

U.S. PATENT DOCUMENTS

D267,713 S	1/1983	Noda et al.	7,989,085 B2	8/2011	Li et al.
D313,790 S	1/1991	Hirabayashi	D644,428 S	9/2011	Feng
D322,165 S	12/1991	Lloyd	D645,015 S	9/2011	Lee et al.
D328,280 S	7/1992	Lee	D645,017 S	9/2011	Kim et al.
5,360,108 A	11/1994	Alagia	D645,022 S	9/2011	Lee et al.
D357,918 S	5/1995	Doria	D645,836 S	9/2011	Choi et al.
D365,927 S	1/1996	Cho	D646,264 S	10/2011	Dong
D399,185 S	10/1998	Lin	D646,266 S	10/2011	Kim et al.
D405,050 S	2/1999	Lee	D647,084 S	10/2011	Fathollahi
D424,035 S	5/2000	Steiner et al.	D647,519 S	10/2011	Rothbaum et al.
6,068,119 A	5/2000	Derr et al.	8,028,794 B1	10/2011	Freeman
D453,322 S	2/2002	Lee	D648,529 S	11/2011	Brown
6,406,313 B1	6/2002	Victor	D649,537 S	11/2011	Magness et al.
D464,196 S	10/2002	Parker	8,068,331 B2	11/2011	Sauers et al.
D475,348 S	6/2003	D'Addario et al.	D650,371 S	12/2011	Wibby et al.
D507,871 S	8/2005	DiMarchi et al.	D650,810 S	12/2011	Lemelman et al.
D508,466 S	8/2005	Dobler	D651,203 S	12/2011	Michie et al.
D539,530 S	4/2007	Sanderson et al.	D651,204 S	12/2011	Wibby et al.
D543,509 S	5/2007	Victor	8,086,285 B2	12/2011	McNamara et al.
D546,285 S	7/2007	Ledbetter et al.	D651,594 S	1/2012	Melanson et al.
7,255,228 B2	8/2007	Kim	D651,791 S	1/2012	Cataldo et al.
D550,623 S	9/2007	McCann	D653,202 S	1/2012	Hasbrook et al.
D556,681 S	12/2007	Kim	D654,263 S	2/2012	Mahmood et al.
D558,757 S	1/2008	Andre et al.	D654,483 S	2/2012	Richardson et al.
D558,758 S	1/2008	Andre et al.	D654,484 S	2/2012	Chang et al.
D561,092 S	2/2008	Kim	D654,485 S	2/2012	Chang et al.
D565,291 S	4/2008	Brandenburg et al.	D654,486 S	2/2012	Chang et al.
D574,819 S	8/2008	Andre et al.	D654,488 S	2/2012	Chang et al.
D575,056 S	8/2008	Tan	D654,489 S	2/2012	Weller et al.
D577,904 S	10/2008	Sasaki	D654,490 S	2/2012	Weller et al.
D579,905 S	11/2008	Kim et al.	D654,491 S	2/2012	Melanson et al.
D580,387 S	11/2008	Andre et al.	D654,491 S	2/2012	Melanson et al.
D592,596 S	5/2009	Kolton	D654,894 S	2/2012	Kim
D593,059 S	5/2009	Kim et al.	D654,900 S	2/2012	Jung
D593,750 S	6/2009	Song	D654,901 S	2/2012	Tsai et al.
D597,067 S	7/2009	Oh et al.	D655,287 S	3/2012	de Jong et al.
D600,013 S	9/2009	McCune	D655,288 S	3/2012	de Jong et al.
D603,603 S	11/2009	Laine et al.	D656,495 S	3/2012	Andre et al.
D604,252 S	11/2009	Yudate	D656,929 S	4/2012	Hsiung
7,612,997 B1	11/2009	Diebel et al.	D658,165 S	4/2012	Freeman
D605,850 S	12/2009	Richardson et al.	D658,166 S	4/2012	Bau
D609,900 S	2/2010	Behar et al.	D659,132 S	5/2012	Wen
D613,282 S	4/2010	Richardson et al.	8,170,632 B2	5/2012	Hsu
D615,078 S	5/2010	Bradley	D661,646 S	6/2012	Song
D615,535 S	5/2010	Richardson et al.	D662,503 S	6/2012	Akana et al.
D617,784 S	6/2010	Richardson et al.	D662,922 S	7/2012	Akana et al.
7,733,642 B2	6/2010	Liou et al.	D662,923 S	7/2012	Piedra et al.
D619,130 S	7/2010	Fellig	D662,924 S	7/2012	Melanson et al.
D619,361 S	7/2010	Andre et al.	D663,296 S	7/2012	Melanson et al.
D620,000 S	7/2010	Bau	D664,091 S	7/2012	Pliner et al.
D622,716 S	8/2010	Andre et al.	D664,528 S	7/2012	Chen et al.
D623,180 S	9/2010	Diebel	D667,783 S	9/2012	Zhang et al.
D623,640 S	9/2010	Freeman	D669,071 S	10/2012	Akana et al.
D624,304 S	9/2010	Danze et al.	D669,889 S	10/2012	Li et al.
D626,119 S	10/2010	Fellig	D670,280 S	11/2012	Rayner
D626,746 S	11/2010	Roman	D670,281 S	11/2012	Corpuz et al.
D628,374 S	12/2010	Lee et al.	D671,102 S	11/2012	Rothbaum et al.
D628,994 S	12/2010	Griffin, Jr. et al.	D671,103 S	11/2012	Rothbaum et al.
D629,784 S	12/2010	Forsyth	D671,104 S	11/2012	Rothbaum et al.
7,872,861 B2	1/2011	Ou et al.	D671,105 S	11/2012	Rothbaum et al.
D634,701 S	3/2011	Richardson et al.	D671,106 S	11/2012	Rothbaum et al.
D634,710 S	3/2011	Hsieh	D671,107 S	11/2012	Rothbaum et al.
D635,131 S	3/2011	Roman	D671,108 S *	11/2012	Rothbaum et al. .... D14/250
D636,386 S	4/2011	Richardson et al.	D671,109 S	11/2012	Rothbaum et al.
D637,592 S	5/2011	Magness et al.	D671,930 S	12/2012	Akana et al.
D638,005 S	5/2011	Richardson et al.	8,342,325 B2	1/2013	Rayner
7,938,260 B2	5/2011	Lin	D676,033 S	2/2013	Rothbaum et al.
D641,013 S	7/2011	Richardson et al.	D676,432 S	2/2013	Hasbrook et al.
D641,347 S	7/2011	Fathollahi	D676,837 S *	2/2013	Rothbaum et al. .... D14/250
D642,169 S	7/2011	Andre et al.	D678,262 S	3/2013	Prato
D642,170 S	7/2011	Johnson et al.	8,393,466 B2	3/2013	Rayner
D643,029 S	8/2011	Feng	D679,698 S	4/2013	Murchison et al.
D643,837 S	8/2011	Smith et al.	D679,699 S *	4/2013	Piedra et al. .... D14/250
D644,168 S	8/2011	Bishay et al.	D680,107 S	4/2013	Piedra et al.
D644,218 S *	8/2011	Akana et al. .... D14/341	D684,150 S	6/2013	Goradesky et al.
			D684,571 S	6/2013	Akana et al.
			D688,653 S	8/2013	Wynn
			D688,660 S *	8/2013	Akana et al. .... D14/341
			8,526,180 B2 *	9/2013	Rayner .... 361/679.55
			D690,688 S	10/2013	Bau

(56)

References Cited

U.S. PATENT DOCUMENTS

D691,990	S	*	10/2013	Rayner	.....	D14/250
D692,419	S	*	10/2013	Rayner	.....	D14/250
8,564,950	B2	*	10/2013	Rayner	.....	361/679.55
8,570,737	B2	*	10/2013	Rayner	.....	361/679.56
D692,878	S	*	11/2013	Akana et al.	.....	D14/341
D693,801	S	*	11/2013	Rayner	.....	D14/250
D694,227	S	*	11/2013	Rayner	.....	D14/250
2001/0040109	A1		11/2001	Yaski et al.		
2002/0175096	A1		11/2002	Linihan		
2004/0226836	A1		11/2004	Schreiber et al.		
2005/0279661	A1		12/2005	Hodges		
2009/0067141	A1		3/2009	Dabov et al.		
2009/0181729	A1		7/2009	Griffin et al.		
2009/0205983	A1		8/2009	Estlander		
2009/0247244	A1		10/2009	Mittleman et al.		
2009/0314400	A1		12/2009	Liu		
2010/0048257	A1		2/2010	Prest et al.		
2010/0096284	A1		4/2010	Bau		
2010/0124040	A1		5/2010	Diebel et al.		
2010/0203931	A1		8/2010	Hynecek et al.		
2010/0240427	A1		9/2010	Lee		
2010/0300909	A1		12/2010	Hung		
2011/0034220	A1		2/2011	Lee		
2011/0034221	A1		2/2011	Hung et al.		
2011/0073505	A1		3/2011	Stiehl		
2011/0183721	A1		7/2011	Hill et al.		
2011/0203954	A1		8/2011	Kroupa		
2011/0253569	A1		10/2011	Lord		
2012/0018323	A1		1/2012	Johnson et al.		
2012/0018325	A1		1/2012	Kim		
2012/0031788	A1		2/2012	Mongan et al.		
2012/0031914	A1		2/2012	Liu		
2012/0037673	A1		2/2012	Chen et al.		
2012/0074005	A1		3/2012	Johnson et al.		
2012/0103844	A1		5/2012	Piedra et al.		
2012/0118772	A1		5/2012	Ellis-Brown		
2012/0118773	A1		5/2012	Rayner		
2012/0138490	A1		6/2012	Hollander et al.		
2012/0211382	A1		8/2012	Rayner		

OTHER PUBLICATIONS

Review of 10 Waterproof cases to protect your cellphone, published on Jan. 10, 2012, <URL:http://www.designbuzz.com/10-water-

proof-cases-protect-cellphone/>, retrieved from internet on Jul. 11, 2013.

Review of aXtion Play Waterproof iPhone 5 Case, published on Jan. 28, 2013, <URL:http://gadgetsin.com/axtion-play-waterproof-iphone-5-case.htm>, retrieved from internet on Jul. 11, 2013.

Trident Cyclops II Apple iPhone 4S Case Product Description, Gearguys.com. Downloaded from http://www.igearguys.com/trident-cyclops-ii-apple-iphone-4s-case-green-total-protection-constructed-from-highly-impact-resistant-polycarbonate-wrapped-with-shock-absorbing-silicone-ring-retail-part-cy2-iph4-bg/ on Jun. 13, 2012.

Starett, C. "iBattaz unveils Mojo Armor, Vogue battery cases for iPhone," iLounge News, Jun. 7, 2012. Downloaded from http://www.ilounge.com/index.php/news/comments/ibattaz-unveils-mojo-armor-vogue-battery-cases-for-iphone/ on Jun. 13, 2012.

Bodydock Armor Case with Magnetic Dock for iPhone 4 & 4S, Black (Bronze Ed.). Downloaded from http://www.amazon.com/Bodydock-armor-magnetic-iphone-bronze/dp/B007TCOQA2/ref=sr\_1\_4?ie=UTF8&qid=1339614866&sr=8-4&keywords=iphone+4+cover+ringer+button on Jun. 15, 2012.

OtterBox Defender Series Silicone Case for Apple iPhone 4 (AT&T)—Blue. Downloaded from http://www.amazon.com/Otterbox-Defender-Series-Hybrid-Holster/dp/B007G8QQJI/ref=pd\_sim\_sbs\_cps\_13 on Jun. 15, 2012.

Office Action in related Design U.S. Appl. No. 29/429,722, filed Aug. 15, 2012, dated Jul. 9, 2013.

Office Action in related Design U.S. Appl. No. 29/399,102, filed Aug. 9, 2011, dated Oct. 8, 2013.

Office Action in related Design U.S. Appl. No. 29/399,111, filed Aug. 9, 2011, dated May 2, 2013.

Notice of Allowance in related Design U.S. Appl. No. 29/399,094, filed Aug. 9, 2011, dated Oct. 3, 2013.

Notice of Allowance in related Design U.S. Appl. No. 29/399,106, filed Aug. 9, 2011, dated Oct. 2, 2013.

Notice of Allowance in related Design U.S. Appl. No. 29/399,114, filed Aug. 9, 2011, dated Oct. 9, 2013.

Office Action in related Design U.S. Appl. No. 29/443,946, filed Jan. 24, 2013, dated Nov. 25, 2013.

Notice of Allowance in related Design U.S. Appl. No. 29/443,946, filed Jan. 24, 2013, dated Apr. 3, 2014.

\* cited by examiner

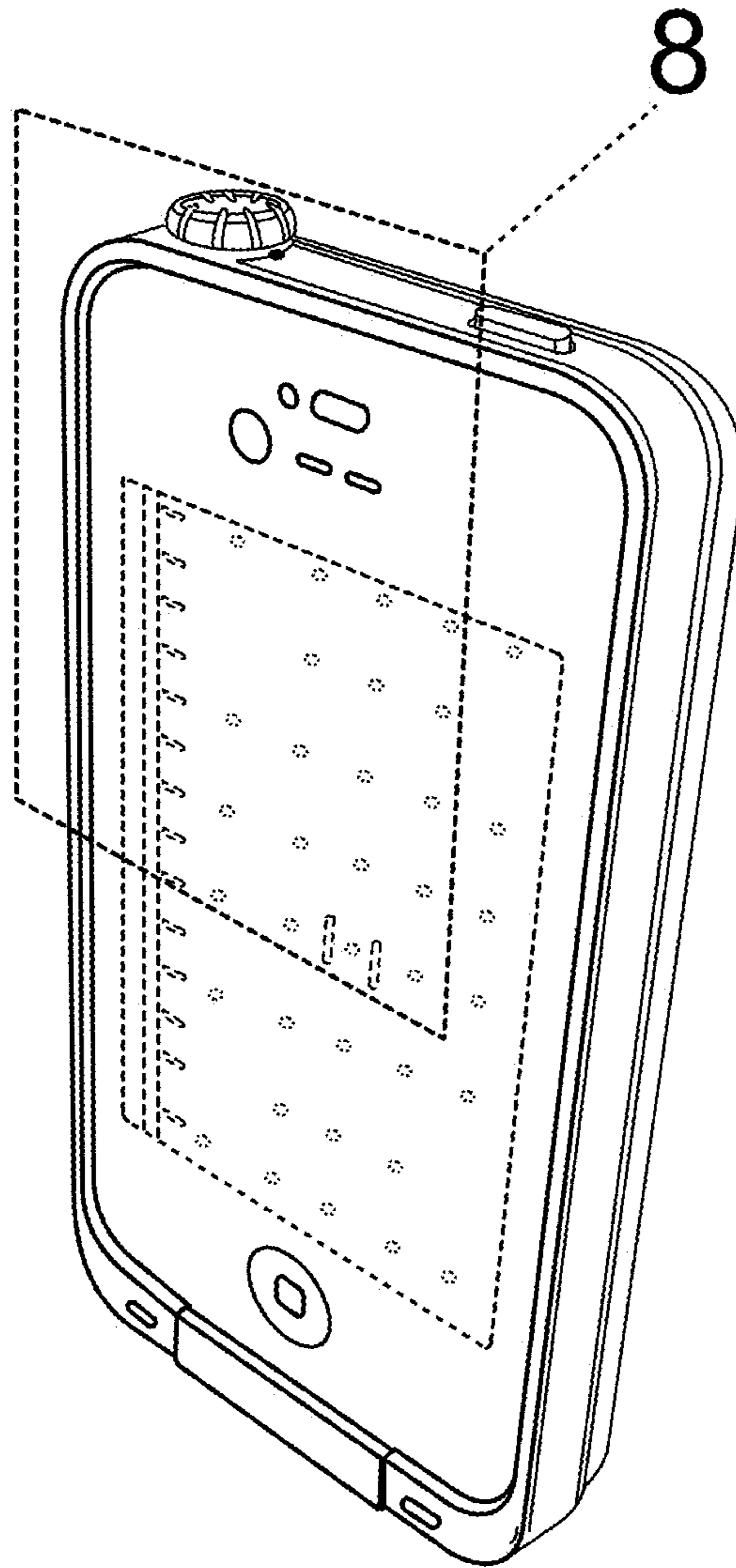


FIG. 1

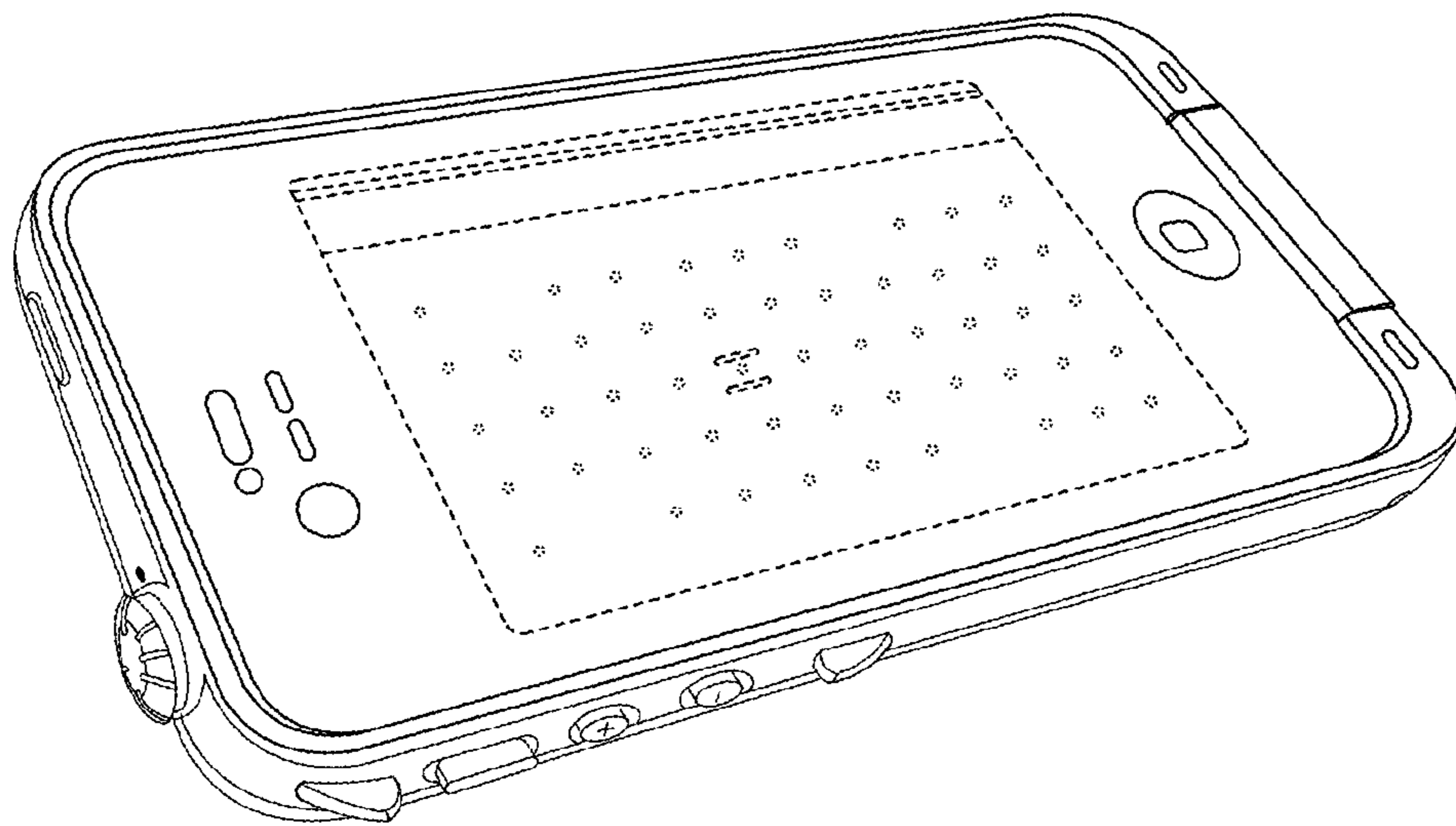


FIG. 2

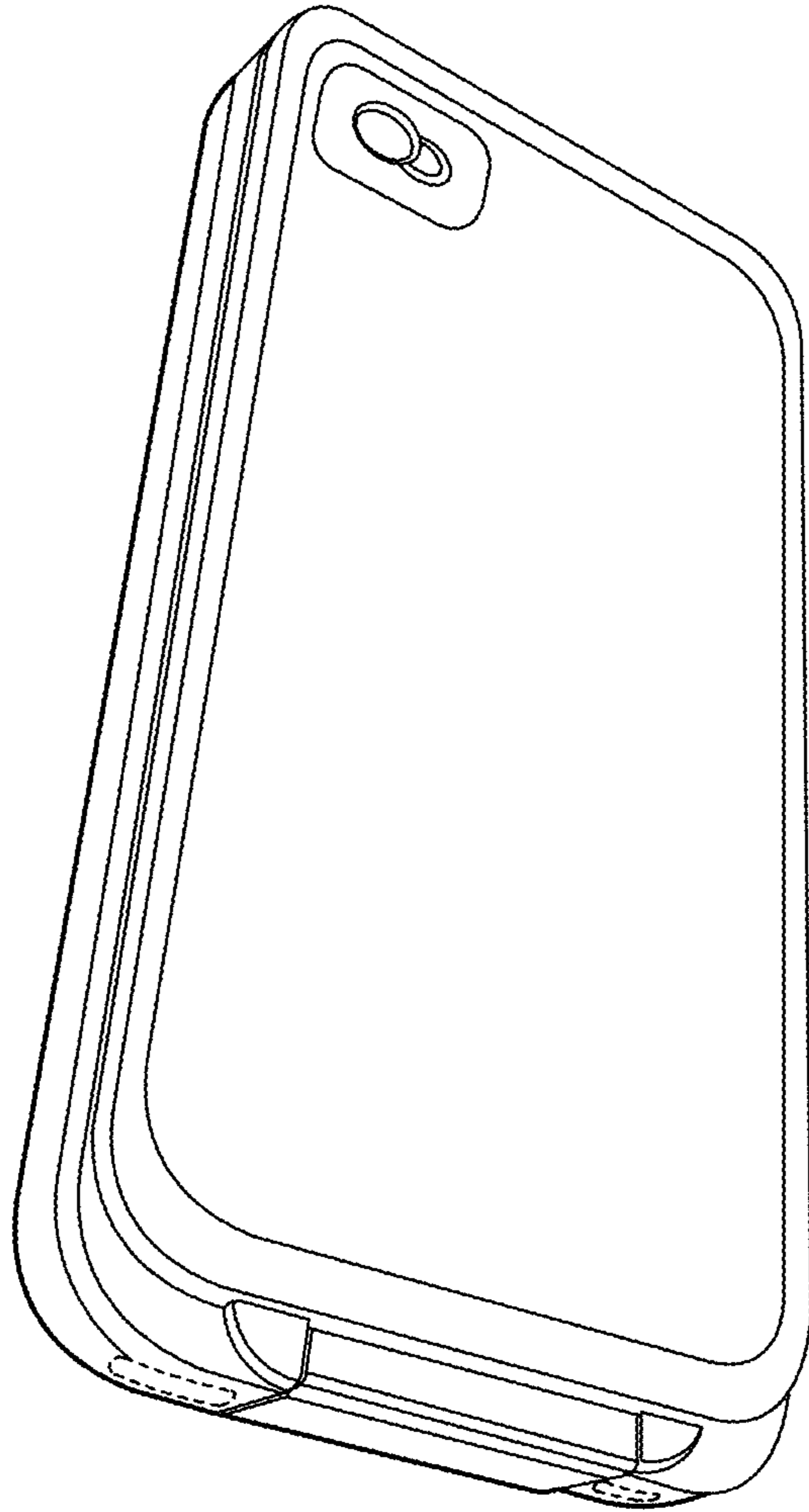


FIG. 3

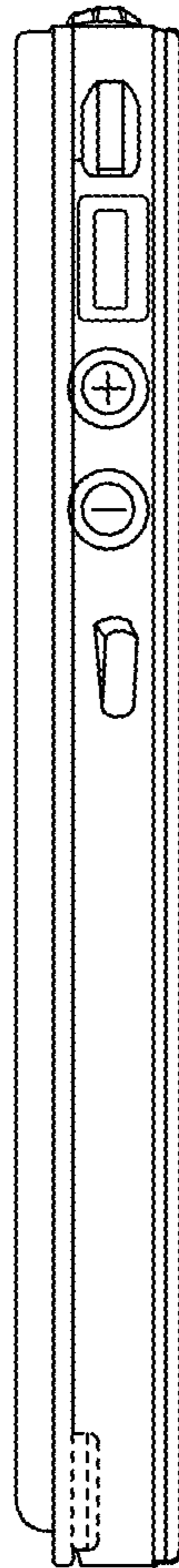


FIG. 4

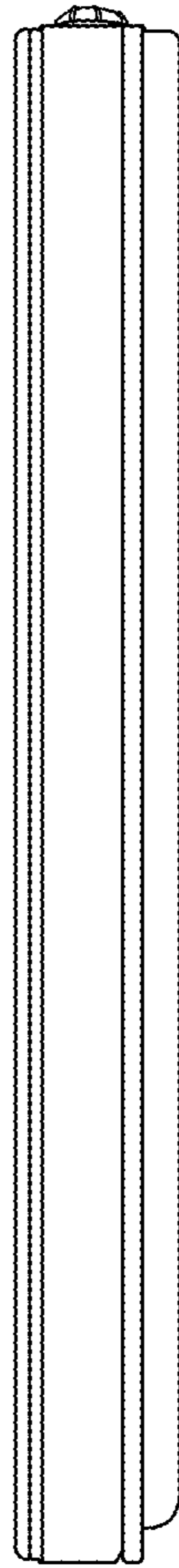


FIG. 5



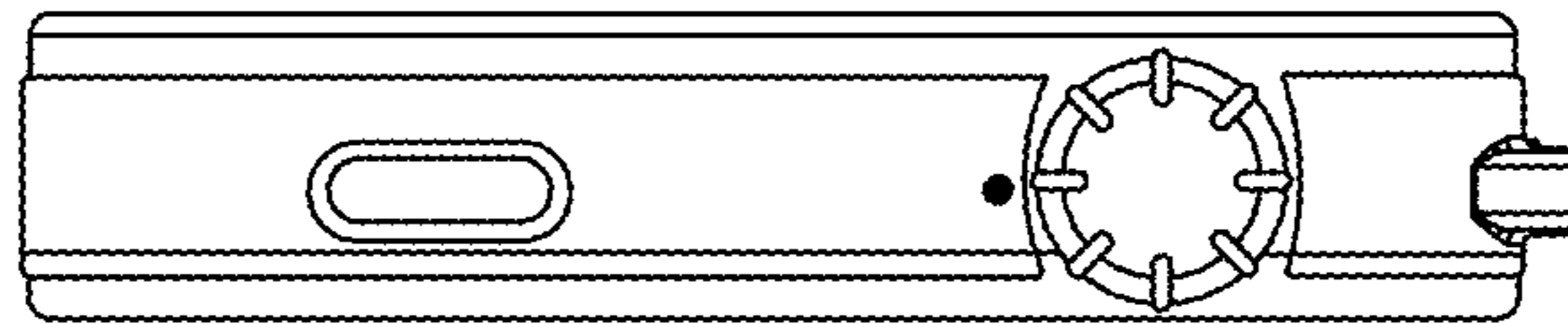


FIG. 6

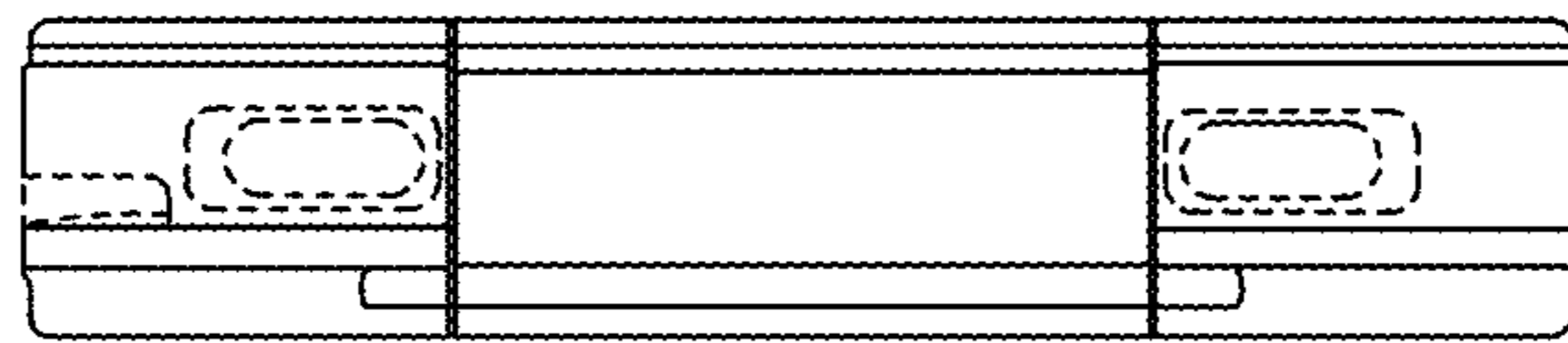


FIG. 7

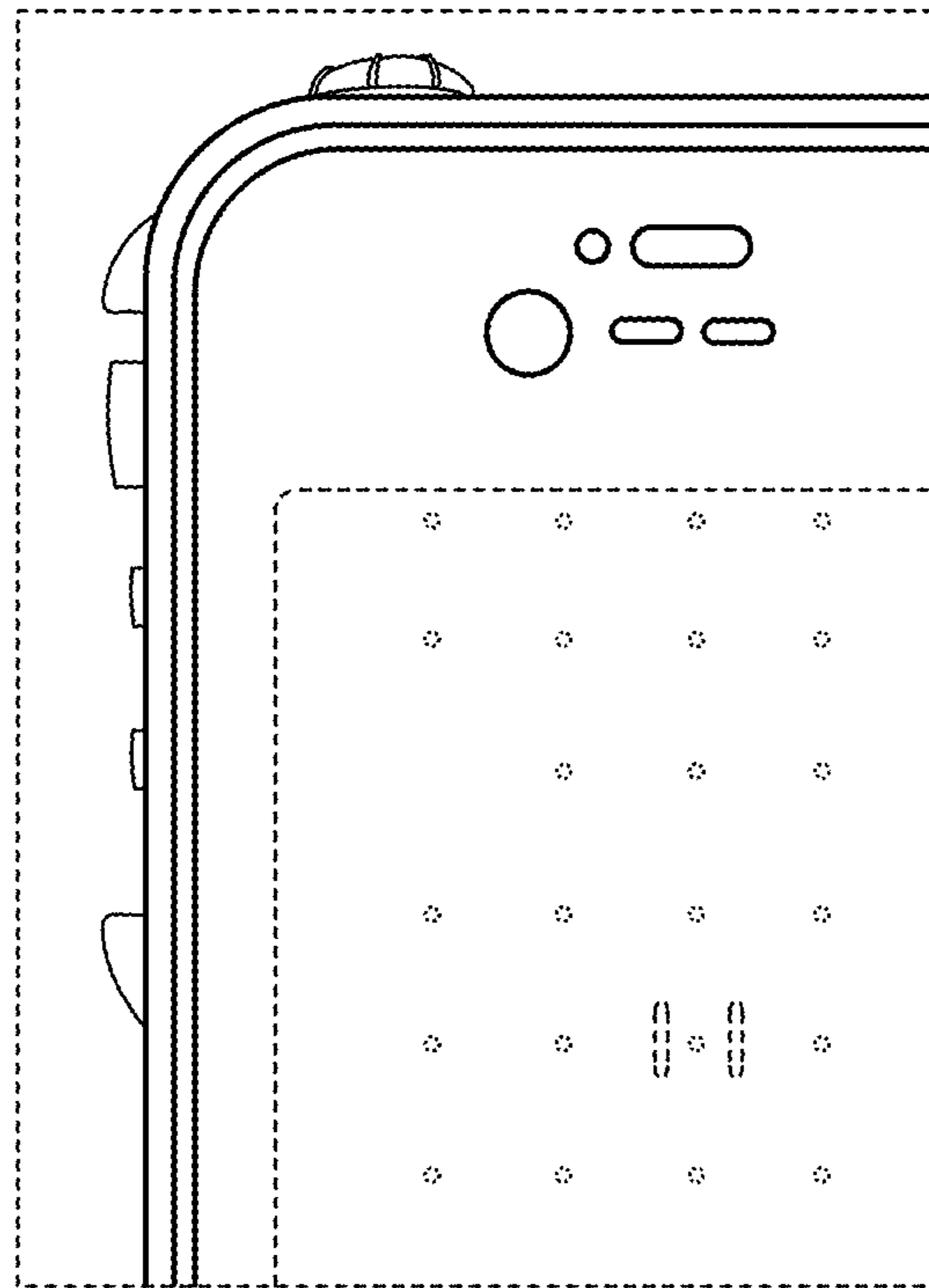


FIG. 8