



US00D714767S

(12) **United States Design Patent**
Liang

(10) **Patent No.:** **US D714,767 S**

(45) **Date of Patent:** **** Oct. 7, 2014**

(54) **USB MODEM**

(75) Inventor: **Qinghai Liang**, Shenzhen (CN)

(73) Assignee: **Huawei Device Co., Ltd.**, Shenzhen (CN)

(**) Term: **14 Years**

(21) Appl. No.: **29/382,167**

(22) Filed: **Dec. 29, 2010**

(30) **Foreign Application Priority Data**

Aug. 13, 2010 (CN) 2010 3 0274639

(51) **LOC (10) Cl.** **14-02**

(52) **U.S. Cl.**
USPC **D14/242**

(58) **Field of Classification Search**
USPC D14/300–302, 313, 314, 341, 348–370,
D14/383, 385, 432, 435, 436, 496, 125, 135,
D14/137, 155, 240–242, 299; D3/201, 273;
361/679.31, 679.33, 679.4, 752;
711/100, 115
See application file for complete search history.

(56) **References Cited**

U.S. PATENT DOCUMENTS

D537,036 S * 2/2007 Chen D14/433

D599,795 S * 9/2009 Lindley D14/358
D617,323 S * 6/2010 Willenz D14/356
D626,437 S * 11/2010 Lee et al. D10/65
D628,572 S * 12/2010 Wang D14/356
D638,001 S * 5/2011 Nakhjiri et al. D14/242
D655,708 S * 3/2012 Frank D14/435.1
D662,498 S * 6/2012 Morgan et al. D14/356

* cited by examiner

Primary Examiner — Ian Simmons

Assistant Examiner — Charles Hanson

(74) *Attorney, Agent, or Firm* — Slater & Matsil, L.L.P.

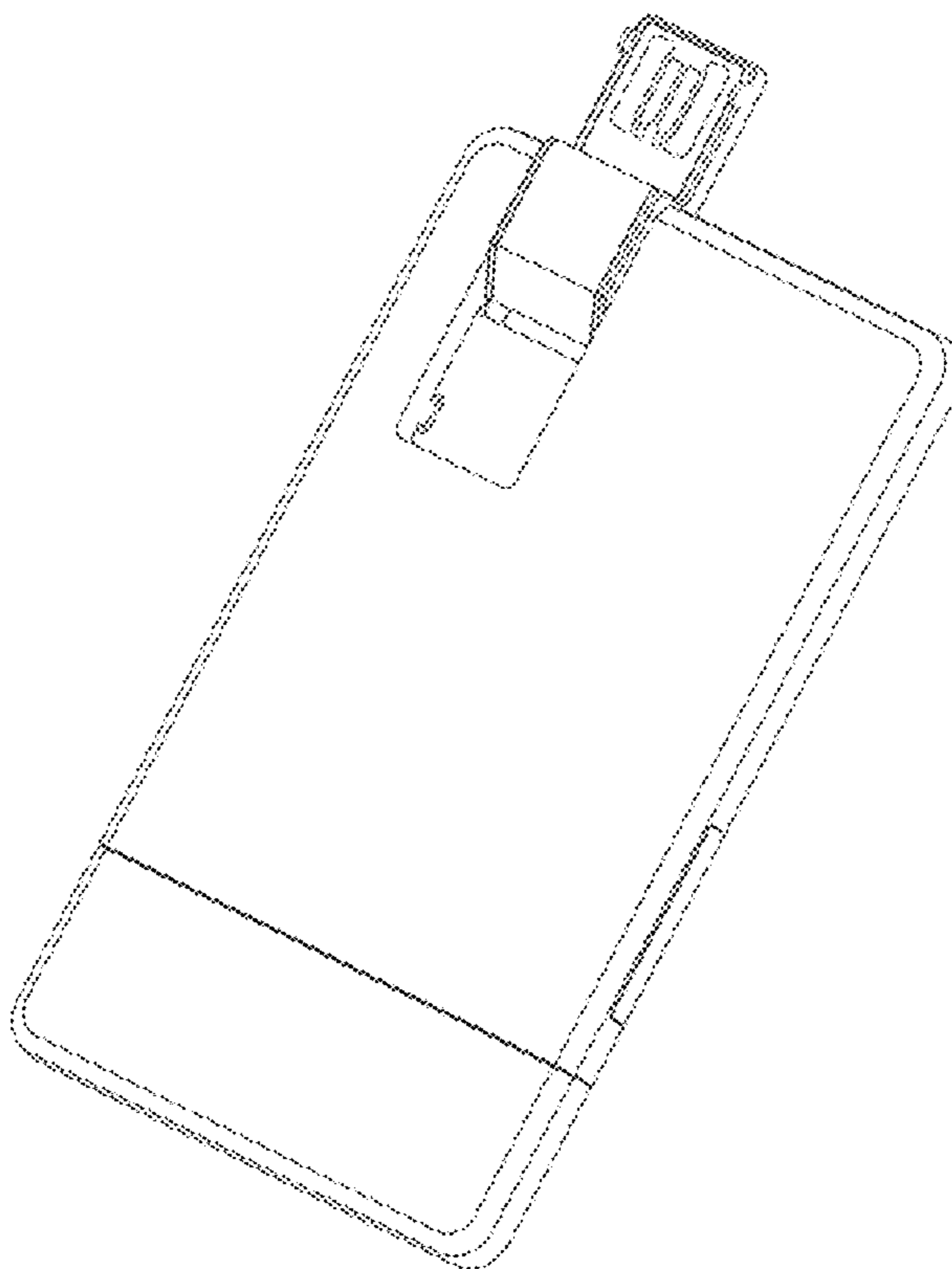
(57) **CLAIM**

The ornamental design for a USB modem, as shown and described.

DESCRIPTION

FIG. 1 is a top view of a USB modem;
FIG. 2 is a back view thereof;
FIG. 3 is a bottom view thereof;
FIG. 4 is a right side view thereof;
FIG. 5 is a left side view thereof;
FIG. 6 is a front view thereof;
FIG. 7 is a front perspective view thereof;
FIG. 8 is a front view in an opened state; and
FIG. 9 is a front perspective view thereof.

1 Claim, 9 Drawing Sheets



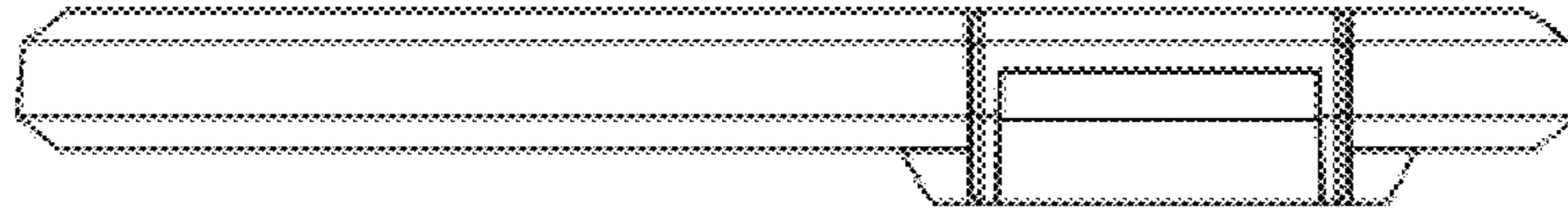


FIG. 1

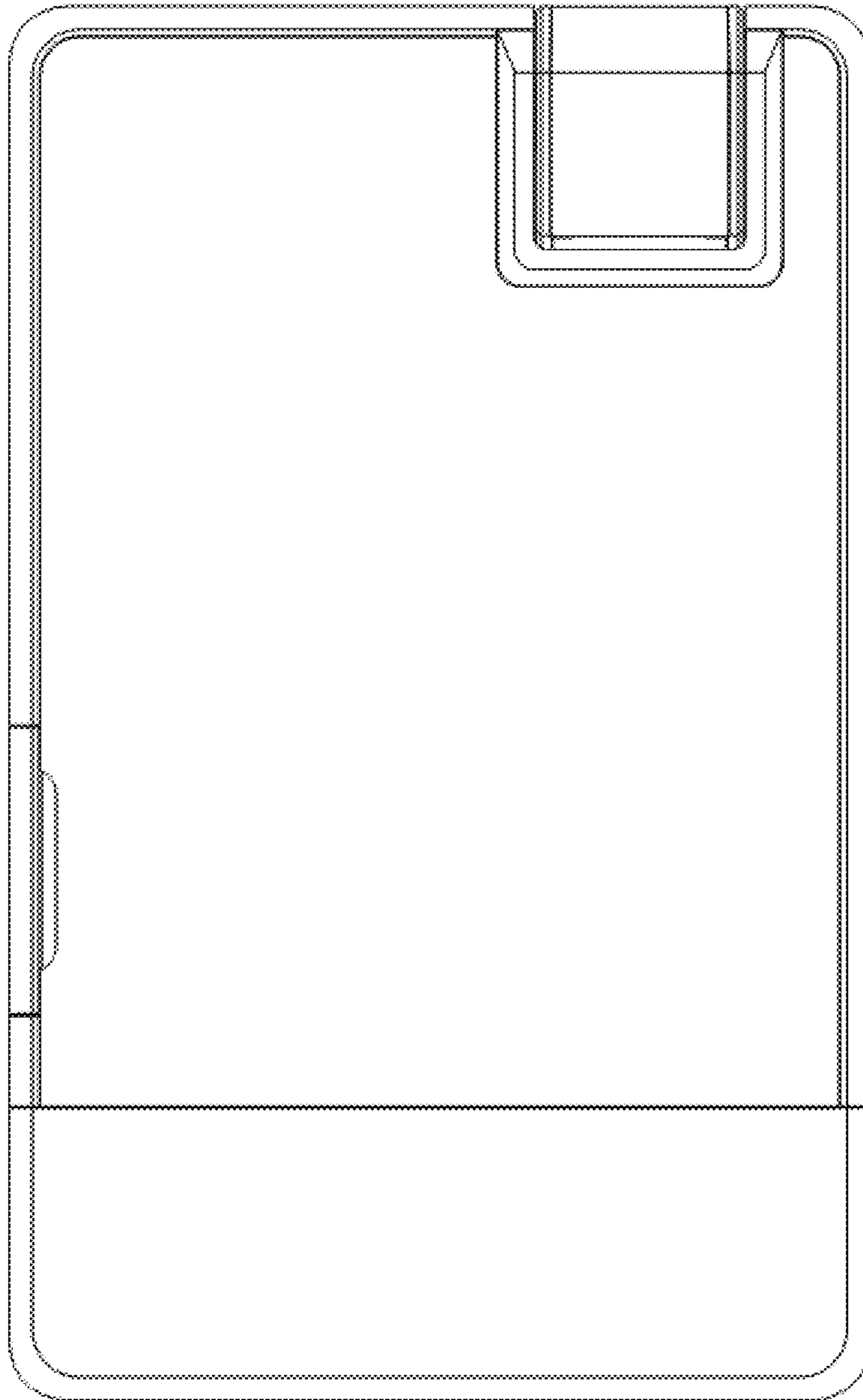


FIG. 2

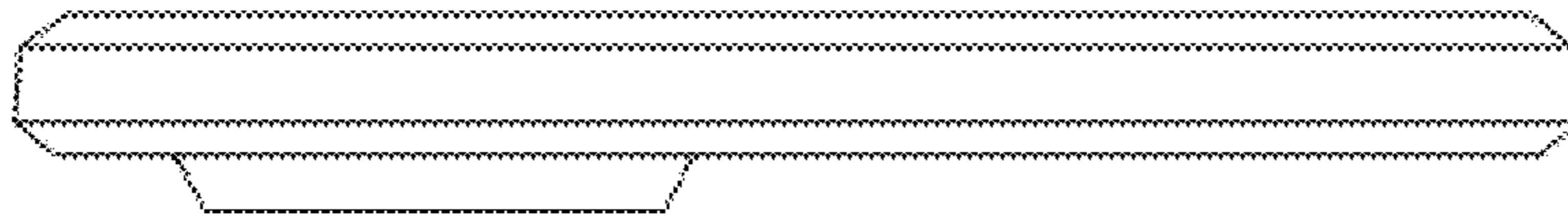


FIG. 3

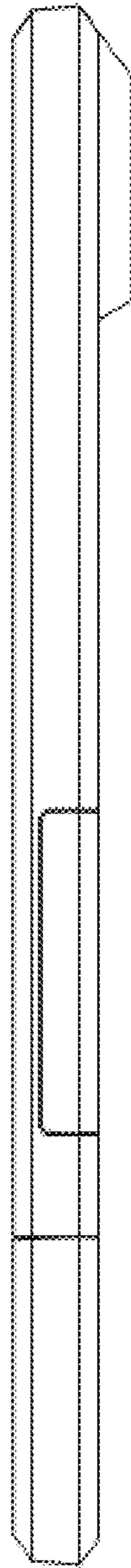


FIG. 4

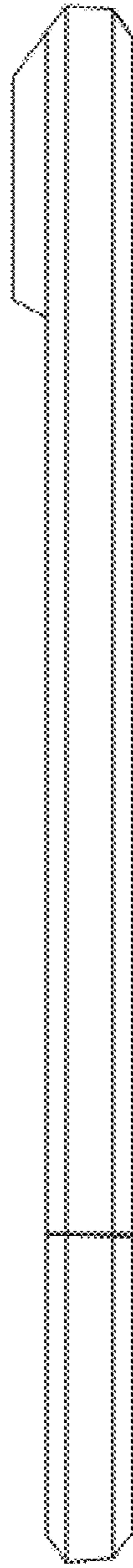


FIG. 5

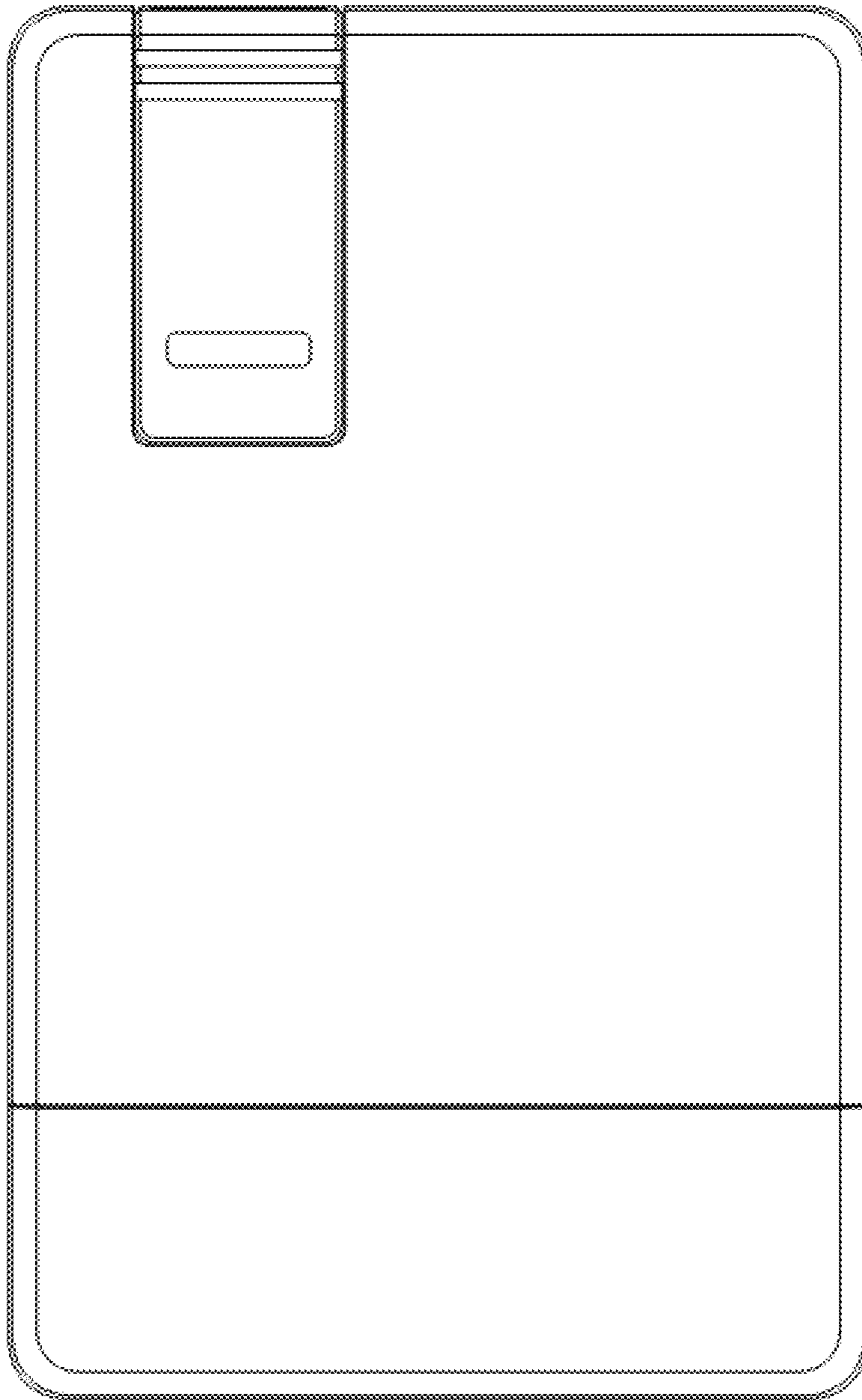


FIG. 6

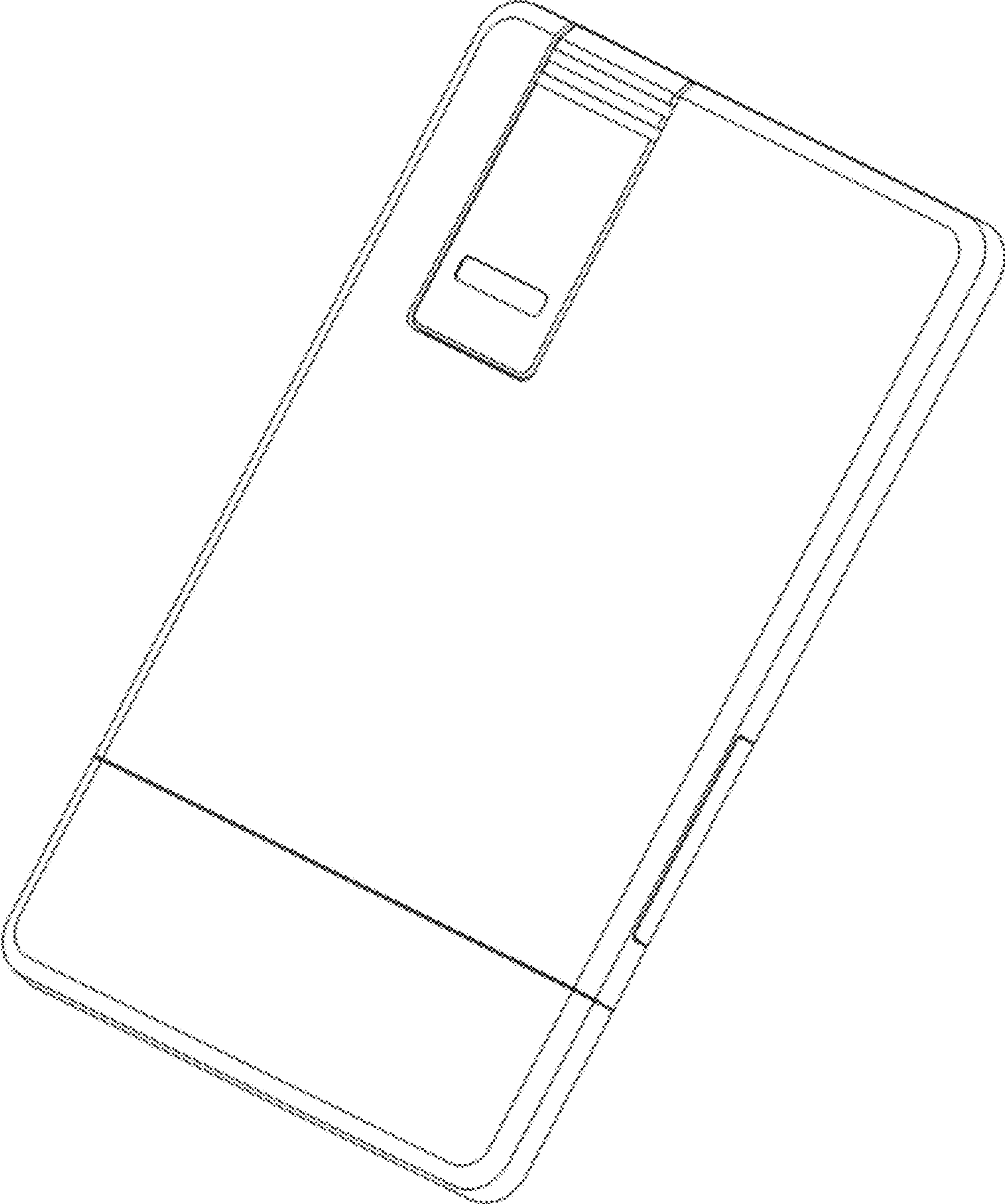


FIG. 7

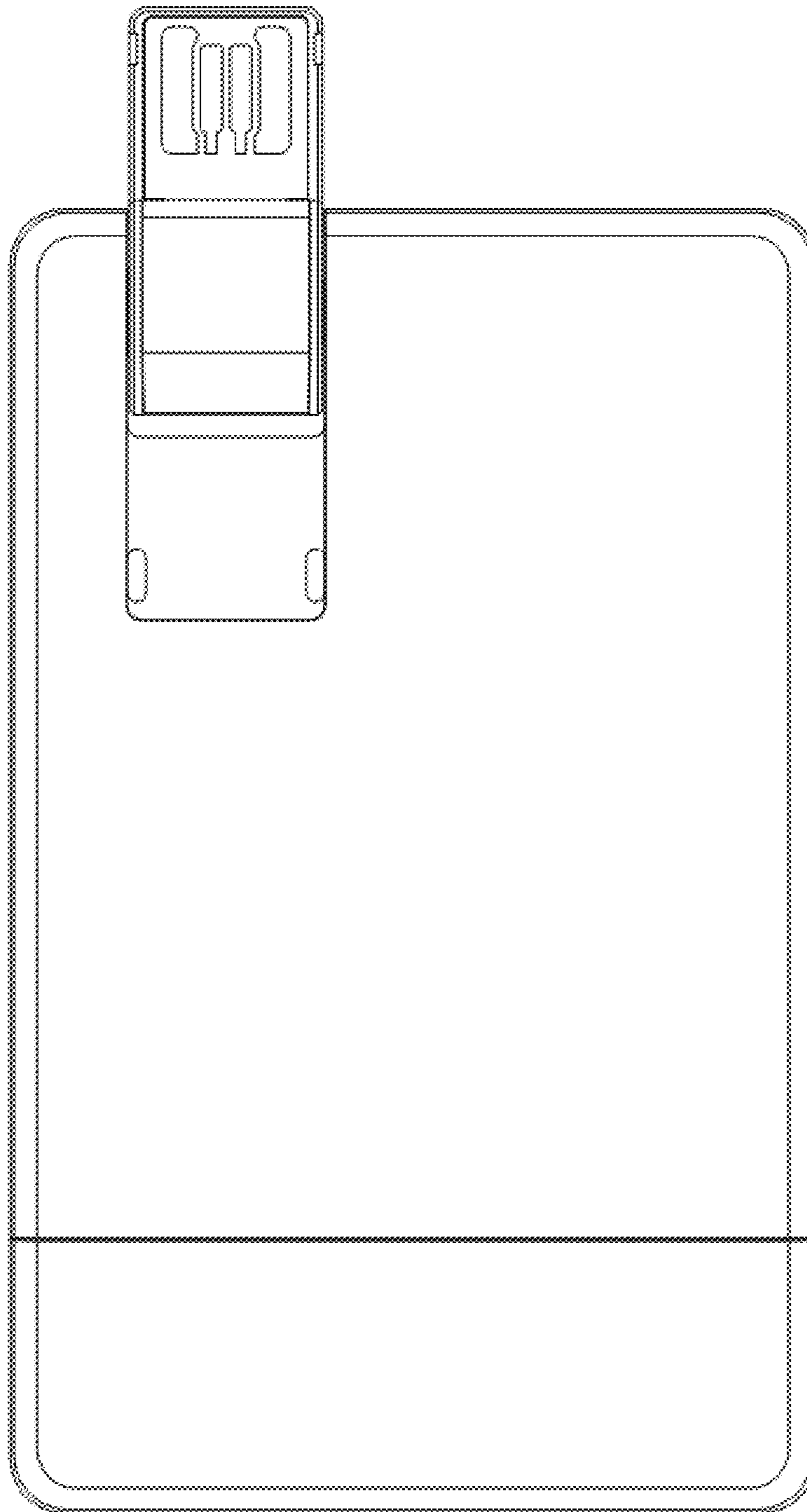


FIG. 8

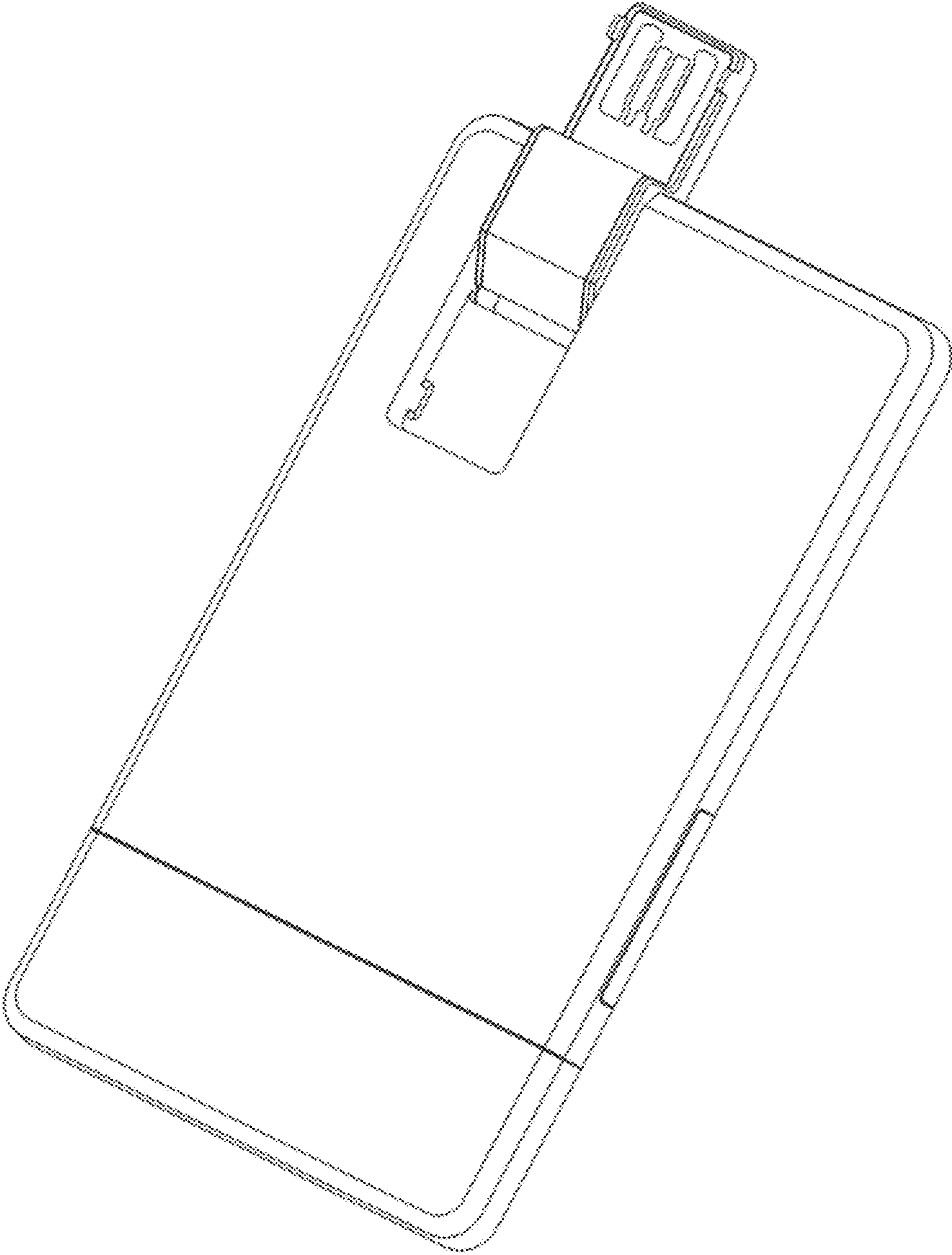


FIG. 9