



US00D714766S

(12) **United States Design Patent**
Håkansson

(10) **Patent No.:** **US D714,766 S**
(45) **Date of Patent:** **** Oct. 7, 2014**

(54) **PUSH-TO-TALK COMMUNICATION DEVICE HAVING A GRIPPING SURFACE**

(71) Applicant: **3M Innovative Properties Company**,
St. Paul, MN (US)

(72) Inventor: **Johan Håkansson**, Hultamarken (SE)

(73) Assignee: **3M Innovative Properties Company**,
St. Paul, MN (US)

(**) Term: **14 Years**

(21) Appl. No.: **29/435,067**

(22) Filed: **Oct. 19, 2012**

(30) **Foreign Application Priority Data**

Apr. 27, 2012 (EM) 1324016

(51) **LOC (10) Cl.** **14-01**

(52) **U.S. Cl.**
USPC **D14/225**; D14/137

(58) **Field of Classification Search**
USPC D14/137, 205–206, 223, 224, 225, 226,
D14/227, 228, 229; 381/90, 91, 122, 16,
381/361, 357; 181/242, 355; 174/653
See application file for complete search history.

(56) **References Cited**

U.S. PATENT DOCUMENTS

D433,395 S * 11/2000 Wong D14/137
D433,396 S * 11/2000 Wong D14/137
D434,401 S * 11/2000 Haase et al. D14/137
D482,009 S * 11/2003 Robertson et al. D14/137

D529,021 S * 9/2006 Jensen et al. D14/223
D545,790 S * 7/2007 Jameson et al. D14/137
D545,791 S * 7/2007 Jameson et al. D14/137
D554,607 S * 11/2007 Mukai et al. D14/137
D566,693 S * 4/2008 Jensen et al. D14/223
D567,232 S * 4/2008 Darbut
D573,564 S * 7/2008 Goetzl et al. D14/137
D645,028 S * 9/2011 Pescetto
D676,833 S * 2/2013 Garcia et al. D14/223
D699,227 S * 2/2014 Erickson D14/225
D700,595 S * 3/2014 Hong et al. D14/248

* cited by examiner

Primary Examiner — Thomas Johannes

Assistant Examiner — Holly E Thurman

(74) *Attorney, Agent, or Firm* — Kristofor L. Storvick

(57) **CLAIM**

The ornamental design for a push-to-talk communication device having a gripping surface, as shown and described.

DESCRIPTION

FIG. 1 is a front perspective view showing my new design for a push-to-talk communication device having a gripping surface.

FIG. 2 is a front view thereof;

FIG. 3 is a rear view thereof;

FIG. 4 is a left side view thereof;

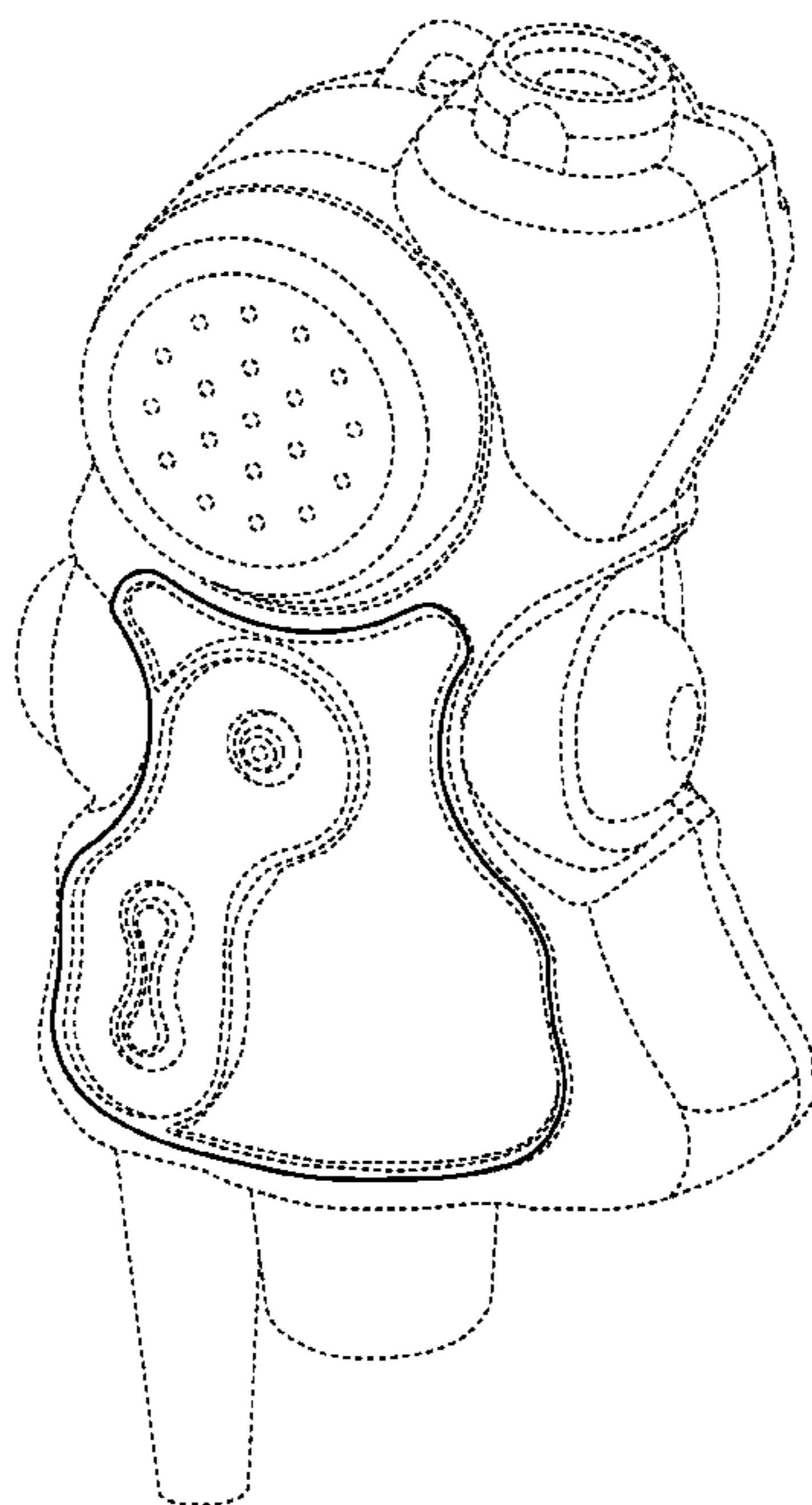
FIG. 5 is a right side view thereof;

FIG. 6 is a top view thereof; and,

FIG. 7 is a bottom view thereof.

The broken lines depict unclaimed portions of the push-to-talk communication device having raised buttons, which form no part of the claimed design.

1 Claim, 5 Drawing Sheets



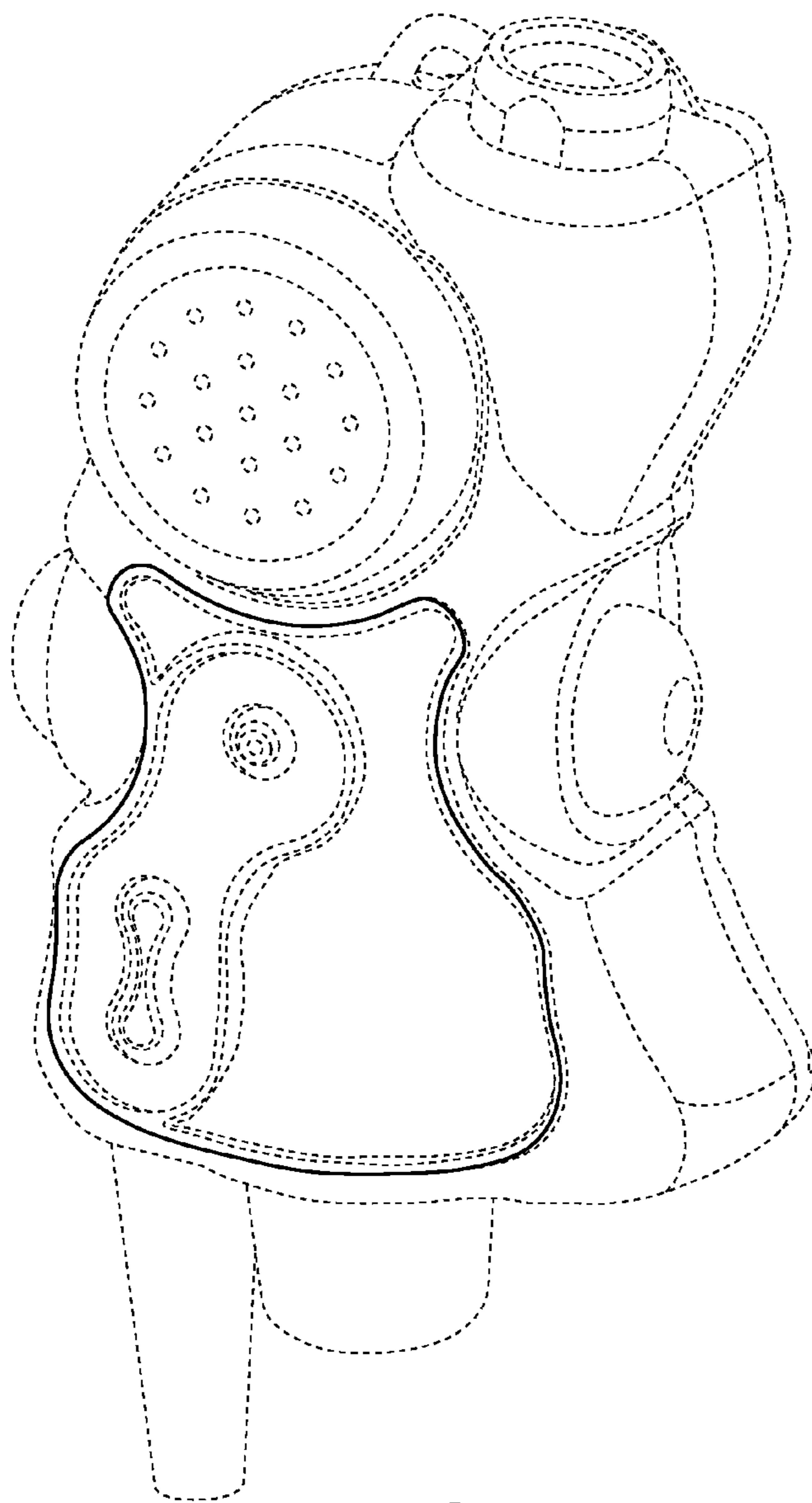


FIG. 1

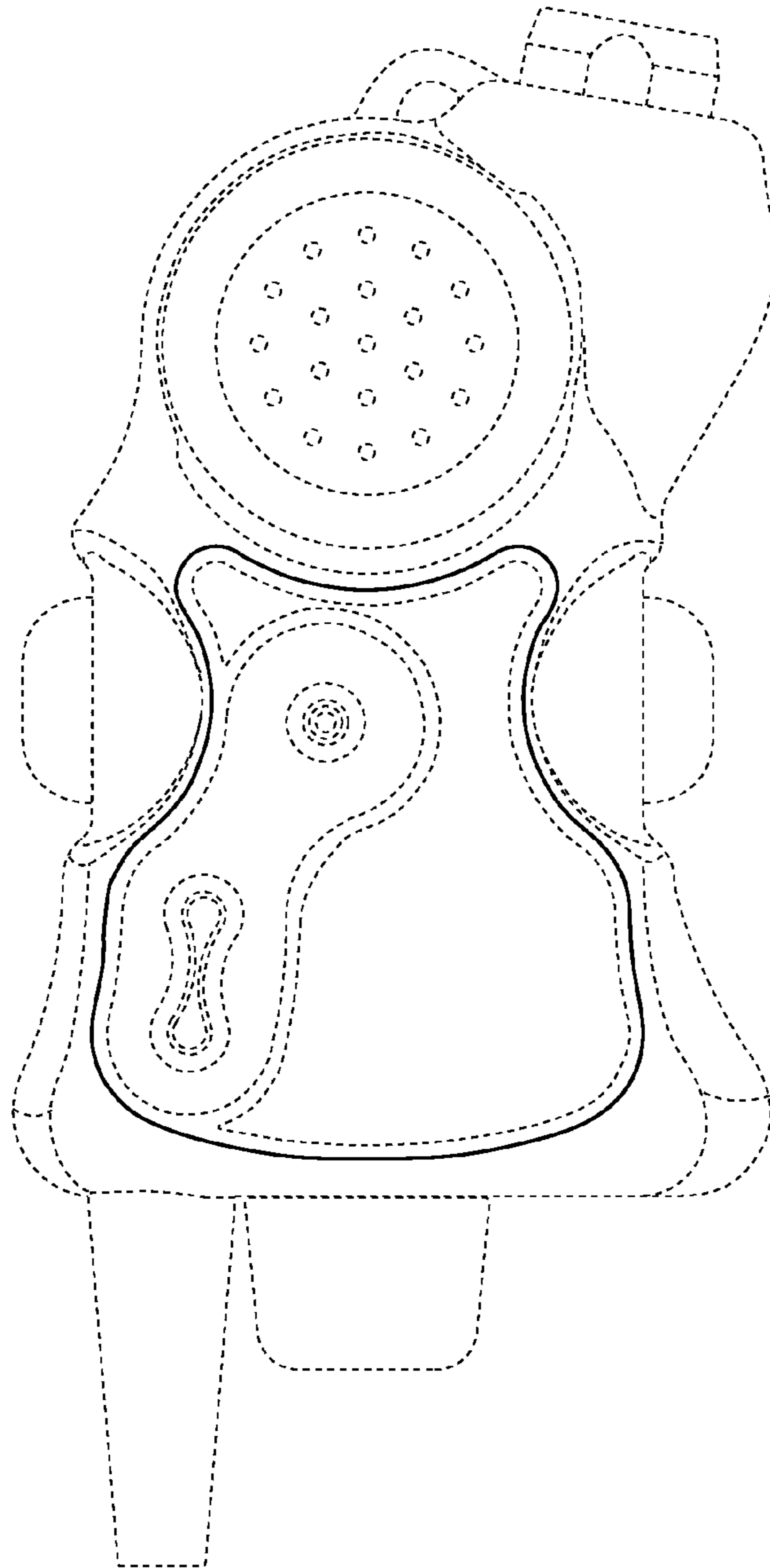


FIG. 2

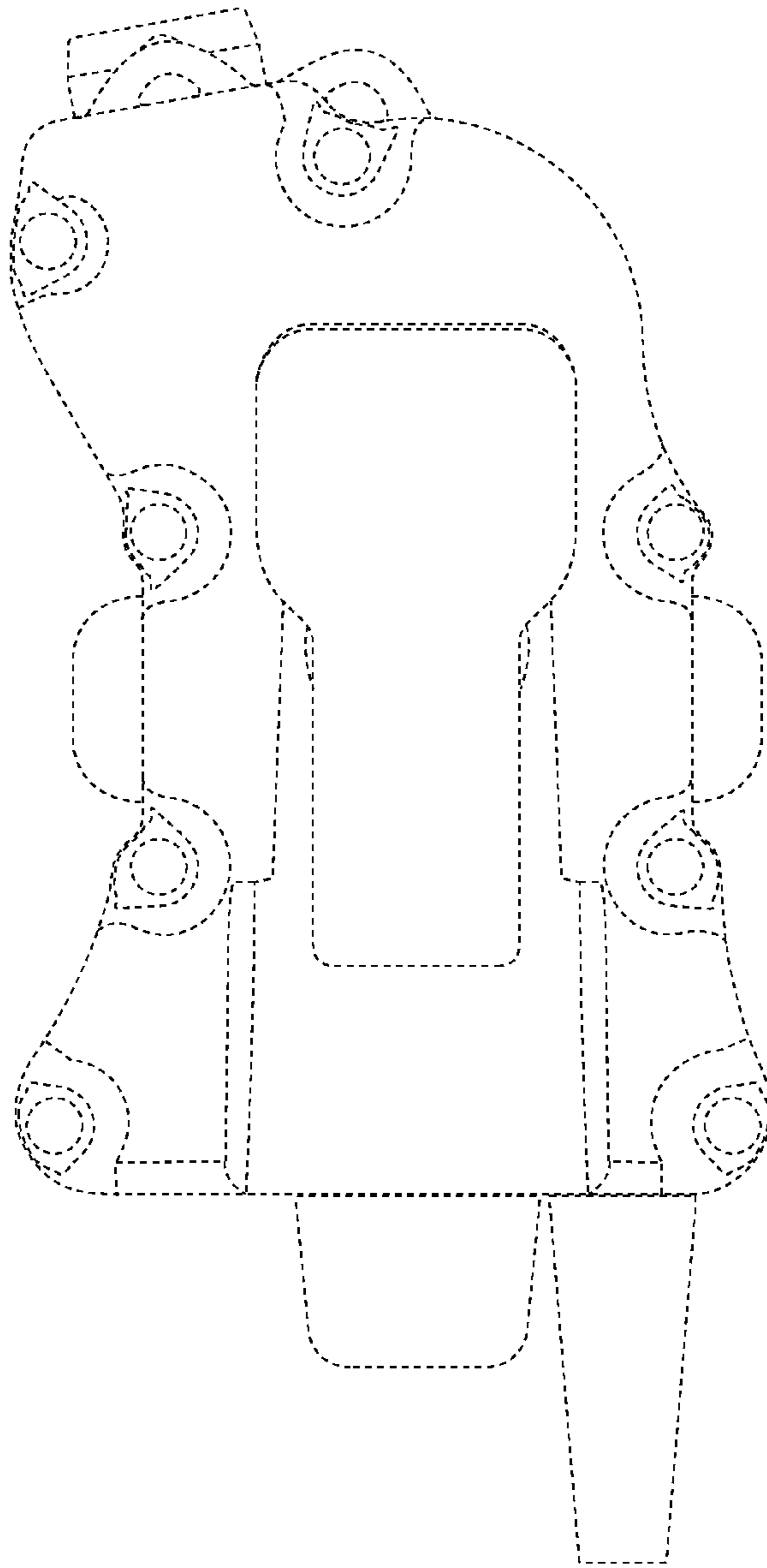


FIG. 3

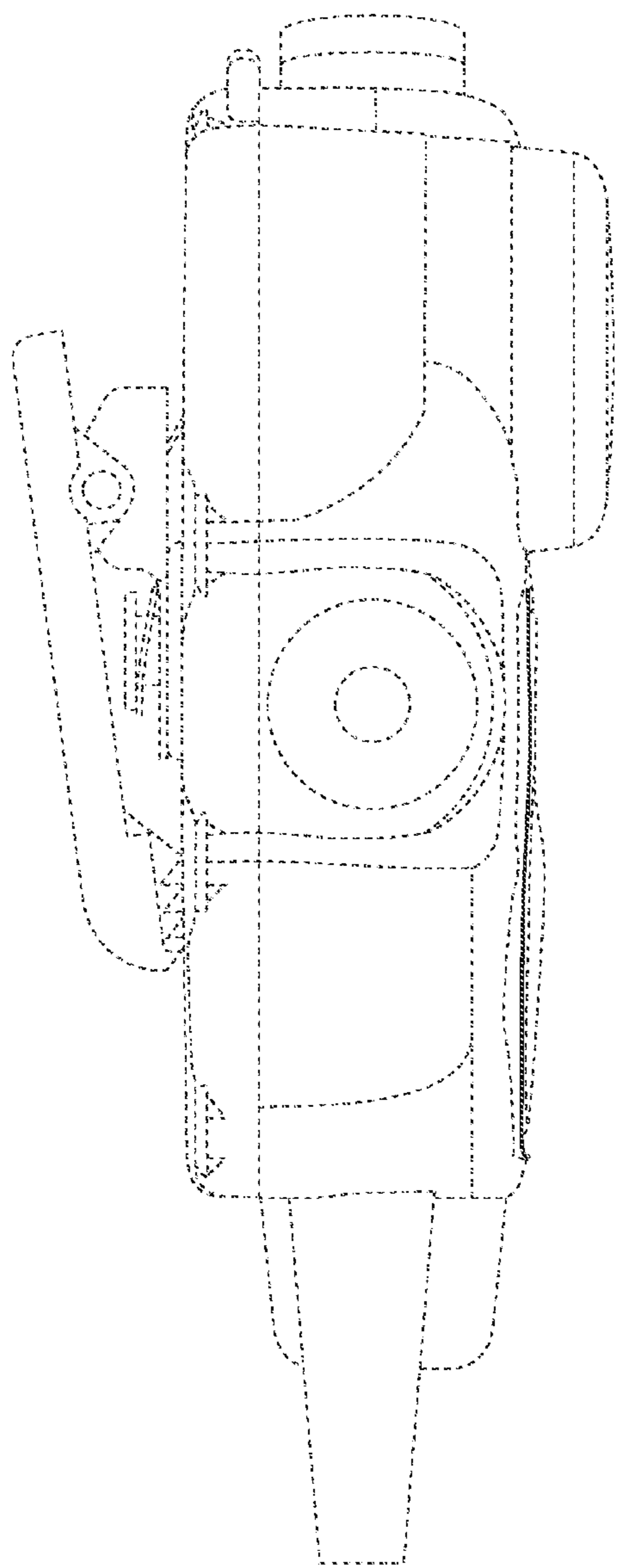


FIG. 4

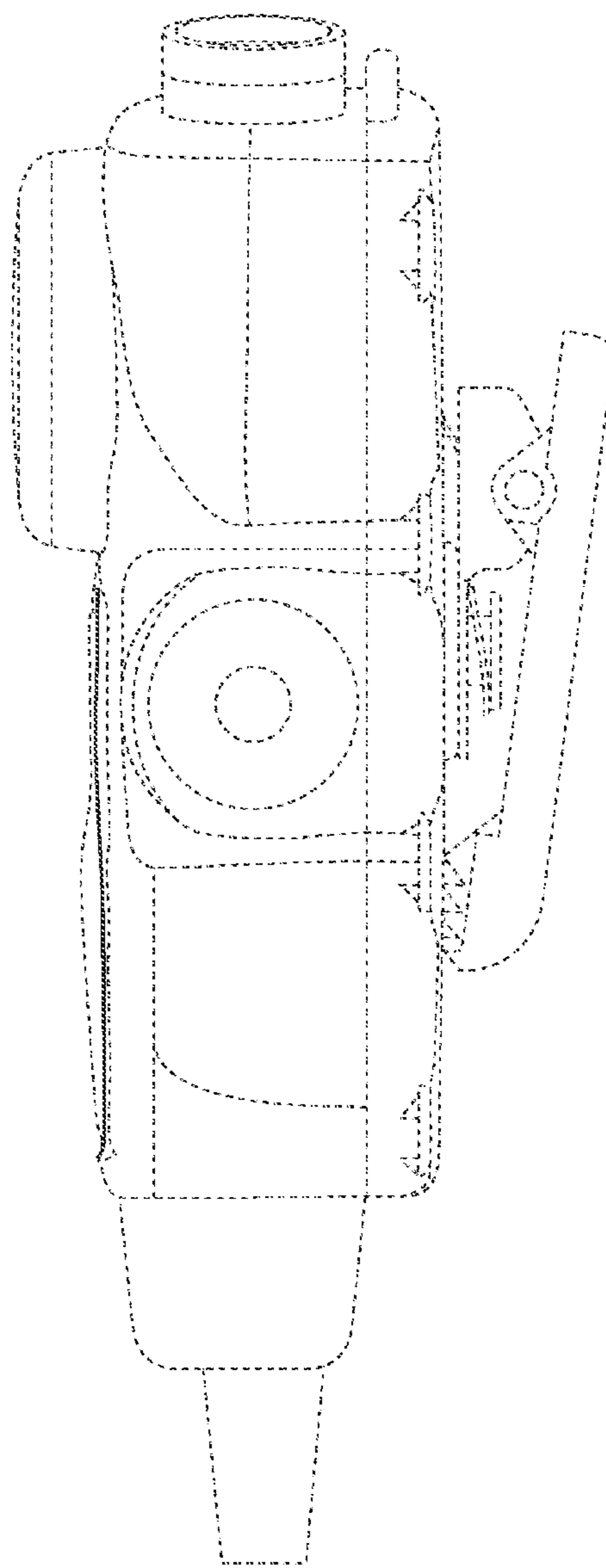


FIG. 5

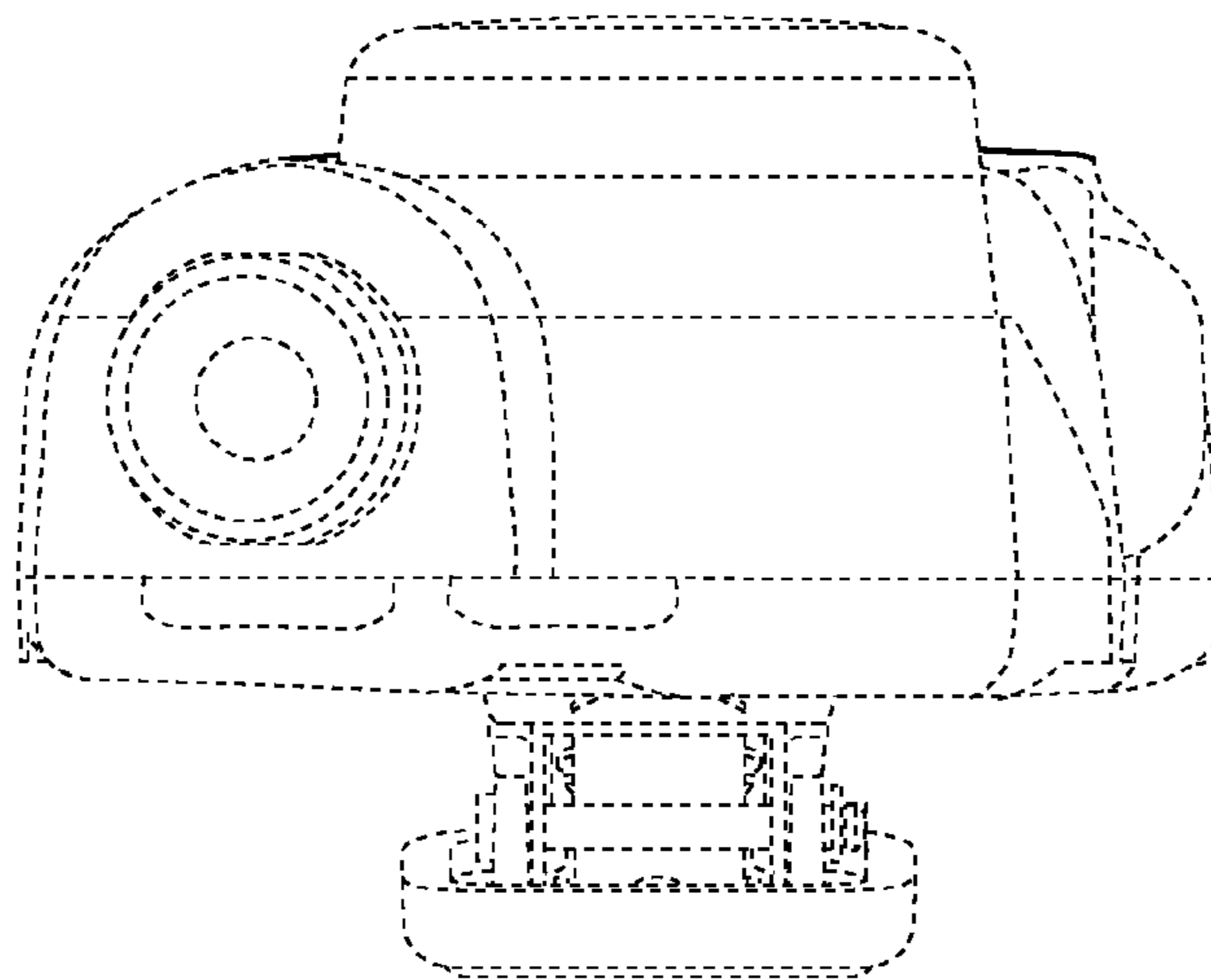


FIG. 6

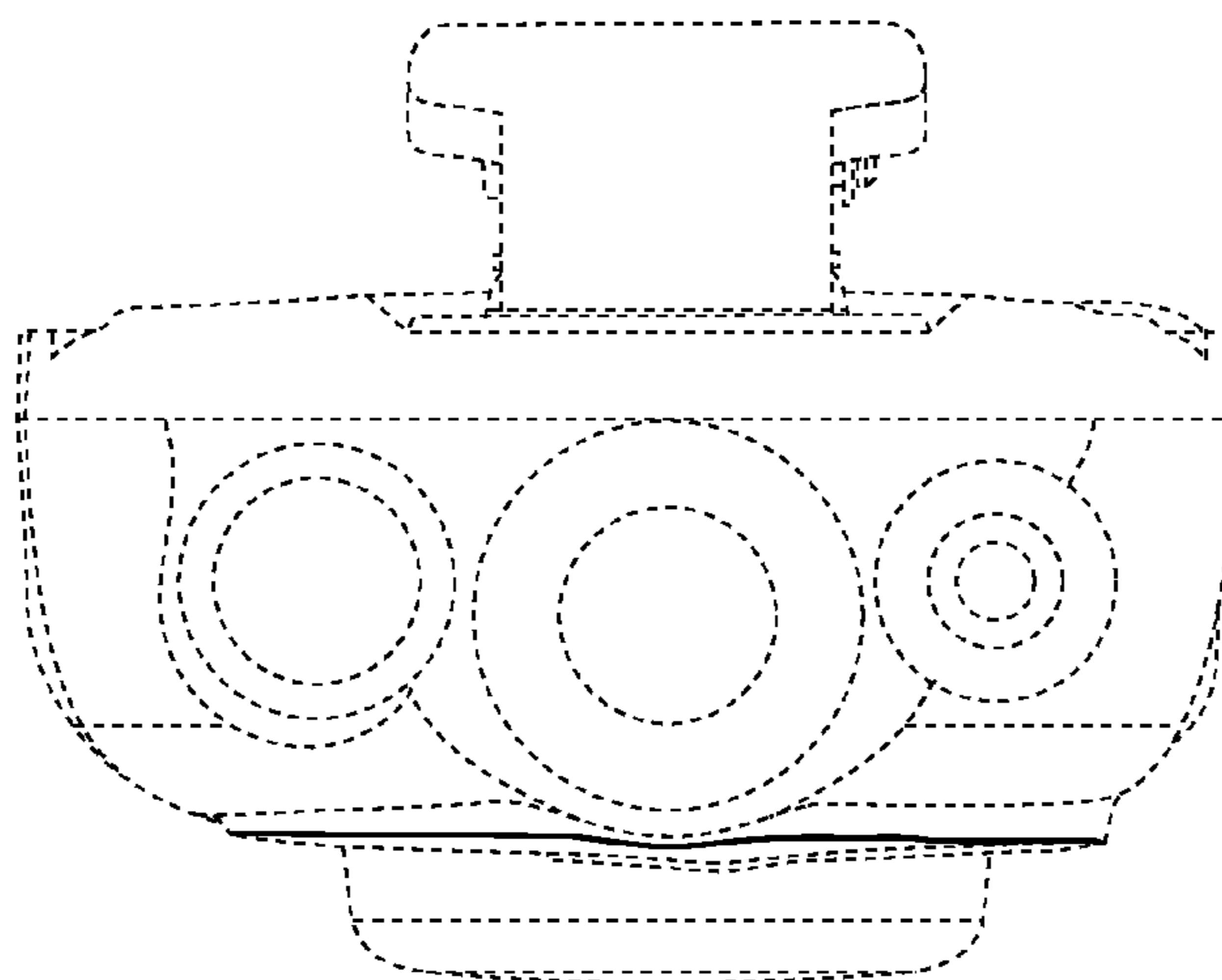


FIG. 7