



US00D714759S

(12) **United States Design Patent**
Kim et al.

(10) **Patent No.:** **US D714,759 S**
(45) **Date of Patent:** **** Oct. 7, 2014**

(54) **SPEAKER FOR HOME THEATER**

(75) Inventors: **Kyungmin Kim**, Seoul (KR); **Yongsoo Kim**, Seoul (KR); **Sooyoung Park**, Seoul (KR); **Hongyoul Choi**, Seoul (KR); **Gangho Woo**, Seoul (KR); **Taeho Kim**, Seoul (KR)

(73) Assignee: **LG Electronics Inc.**, Seoul (KR)

(**) Term: **14 Years**

(21) Appl. No.: **29/408,797**

(22) Filed: **Dec. 16, 2011**

(30) **Foreign Application Priority Data**

Jun. 29, 2011 (KR) 30-2011-0026938

(51) **LOC (10) Cl.** **14-03**

(52) **U.S. Cl.**
USPC **D14/215**

(58) **Field of Classification Search**
USPC D14/167, 168, 170-172, 188, 194-196,
D14/204, 207, 209.1, 210-216, 221, 222;
181/143, 144, 147, 148, 150, 153, 157,
181/198, 199; 381/300-303, 306, 332, 333,
381/336, 345, 361-364, 386-388;
D13/107, 108; 455/344-351; 369/6-12

See application file for complete search history.

(56) **References Cited**

U.S. PATENT DOCUMENTS

D624,048	S	*	9/2010	Kim	D14/215
D664,122	S	*	7/2012	Cho et al.	D14/215
D671,527	S	*	11/2012	Lee et al.	D14/215
D675,598	S	*	2/2013	Paddock	D14/215

* cited by examiner

Primary Examiner — Keli L Hill

(74) *Attorney, Agent, or Firm* — Morgan, Lewis & Bockius LLP

(57) **CLAIM**

The ornamental design for a speaker for home theater, as shown and described.

DESCRIPTION

FIG. 1 is a front, left side, perspective view of a speaker for home theater showing our new design;
FIG. 2 is a front view thereof;
FIG. 3 is a rear view thereof;
FIG. 4 is a left side view thereof;
FIG. 5 is a right side view thereof;
FIG. 6 is a top view thereof;
FIG. 7 is a bottom view thereof; and,
FIG. 8 is a reference view thereof, showing the speaker in an environment of use equipped on a wall.
The broken lines in FIGS. 3 and 8 are included for the purpose of illustrating portions of the speaker and environment of the speaker and forms no part of the claimed design.

1 Claim, 5 Drawing Sheets

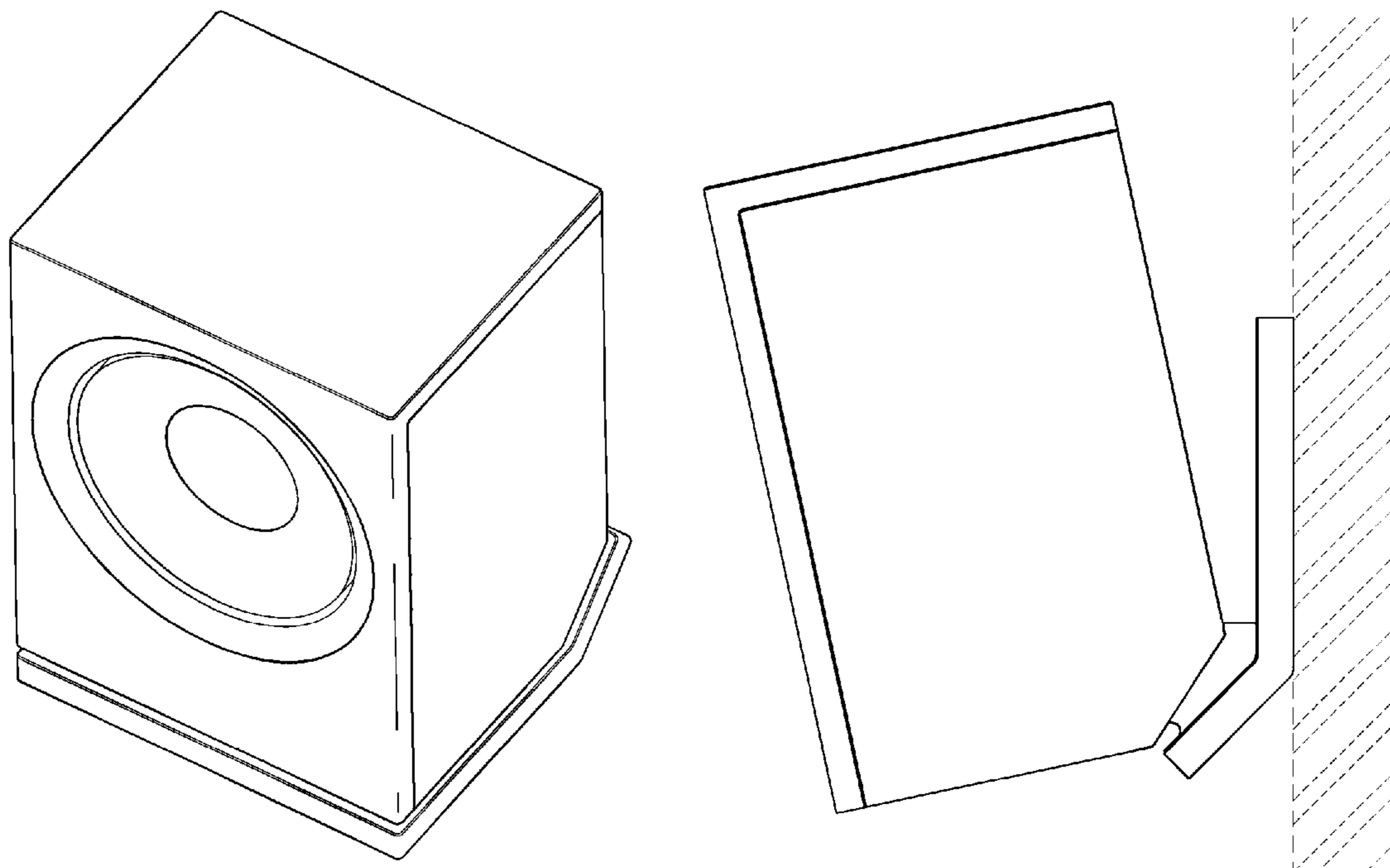


FIG. 1

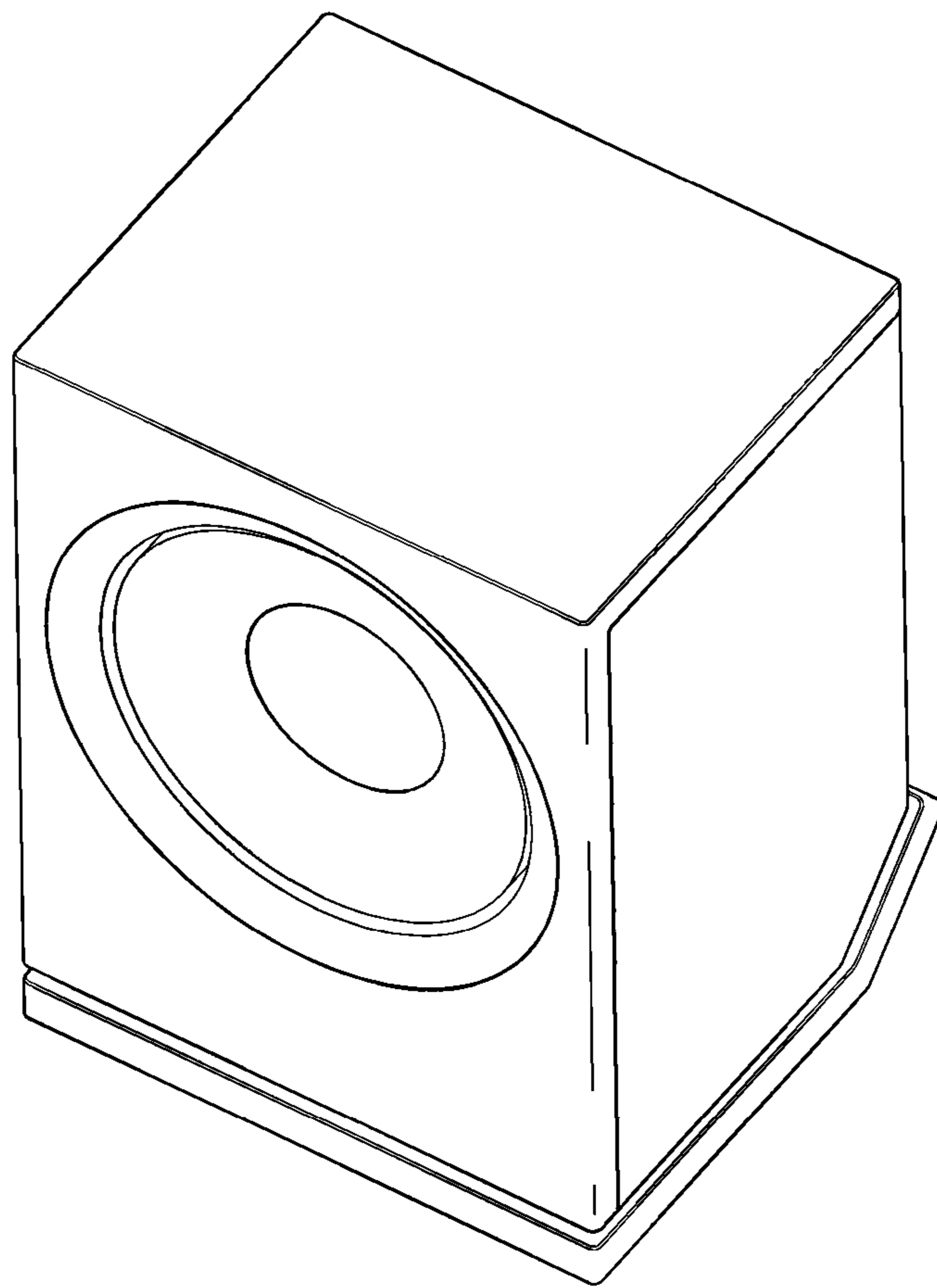


FIG. 2

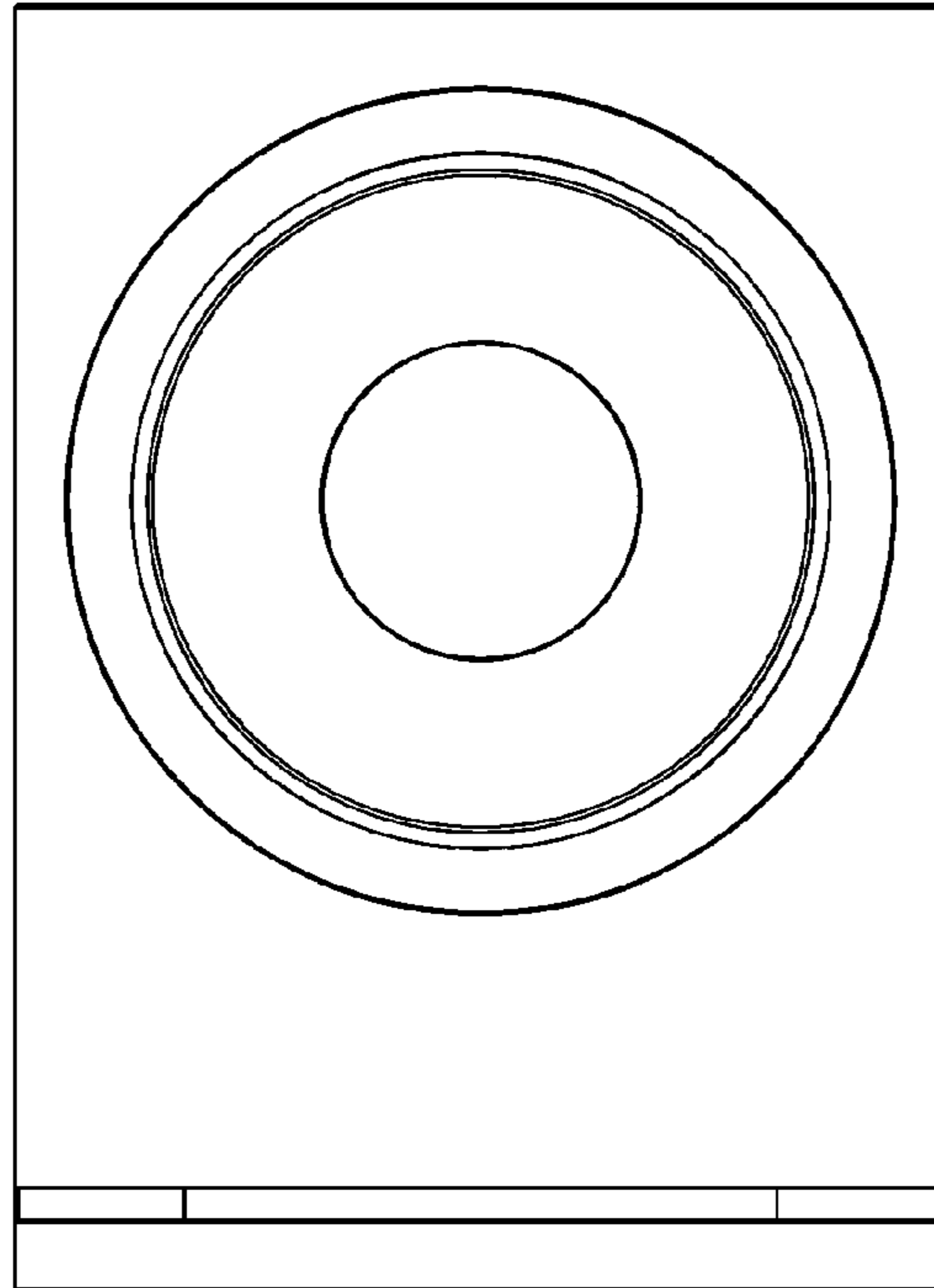


FIG. 3

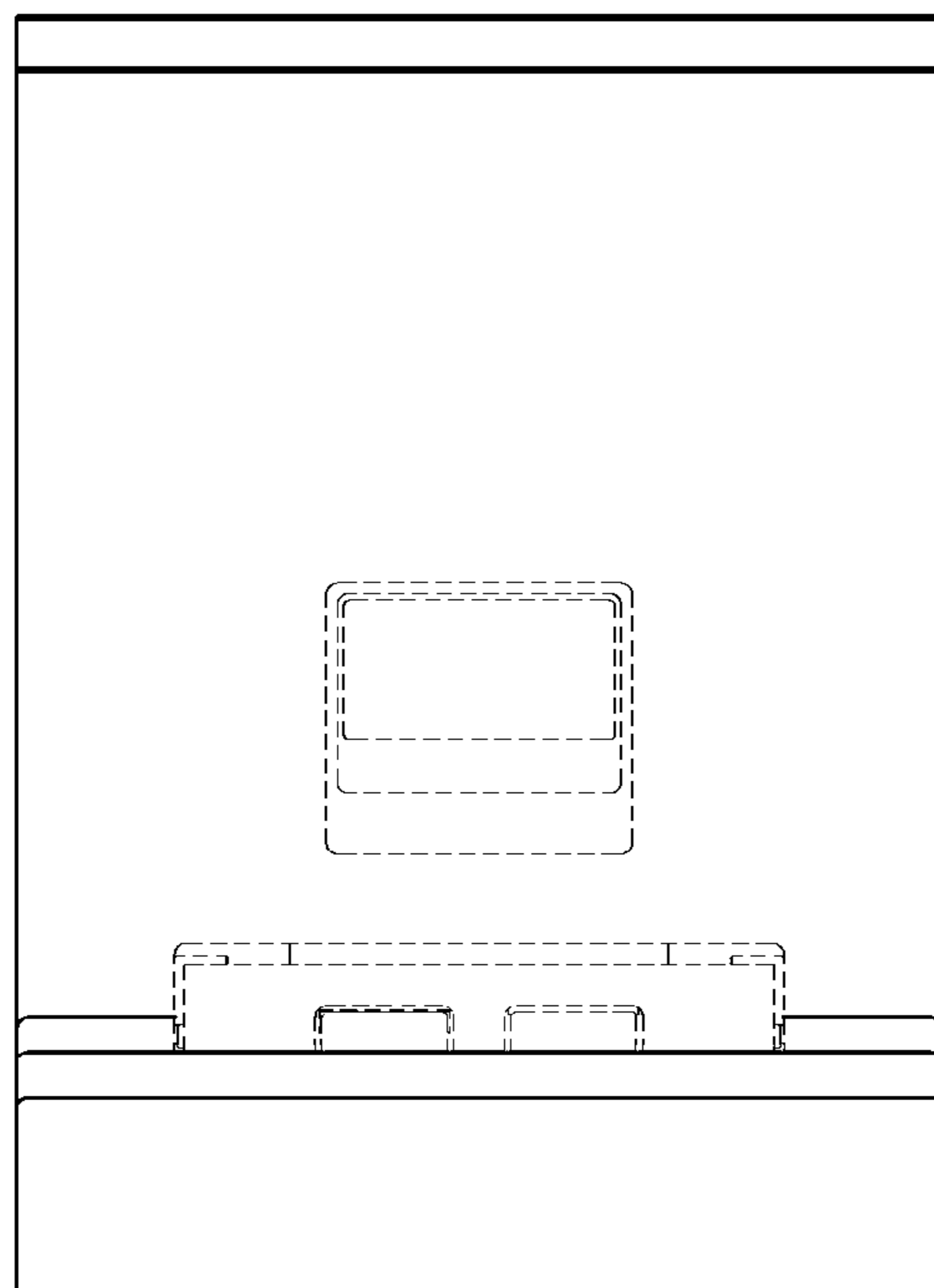


FIG. 4

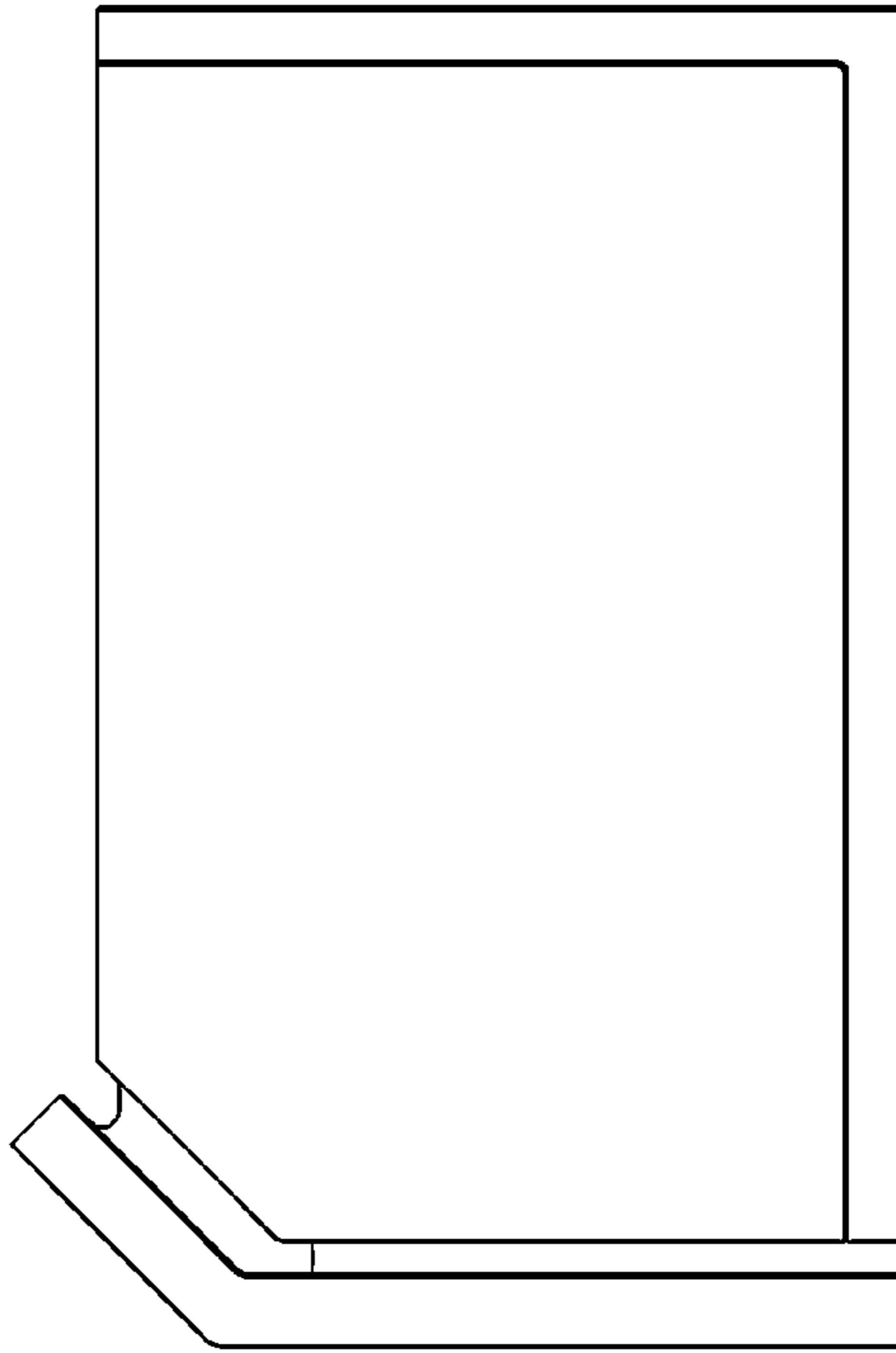


FIG. 5

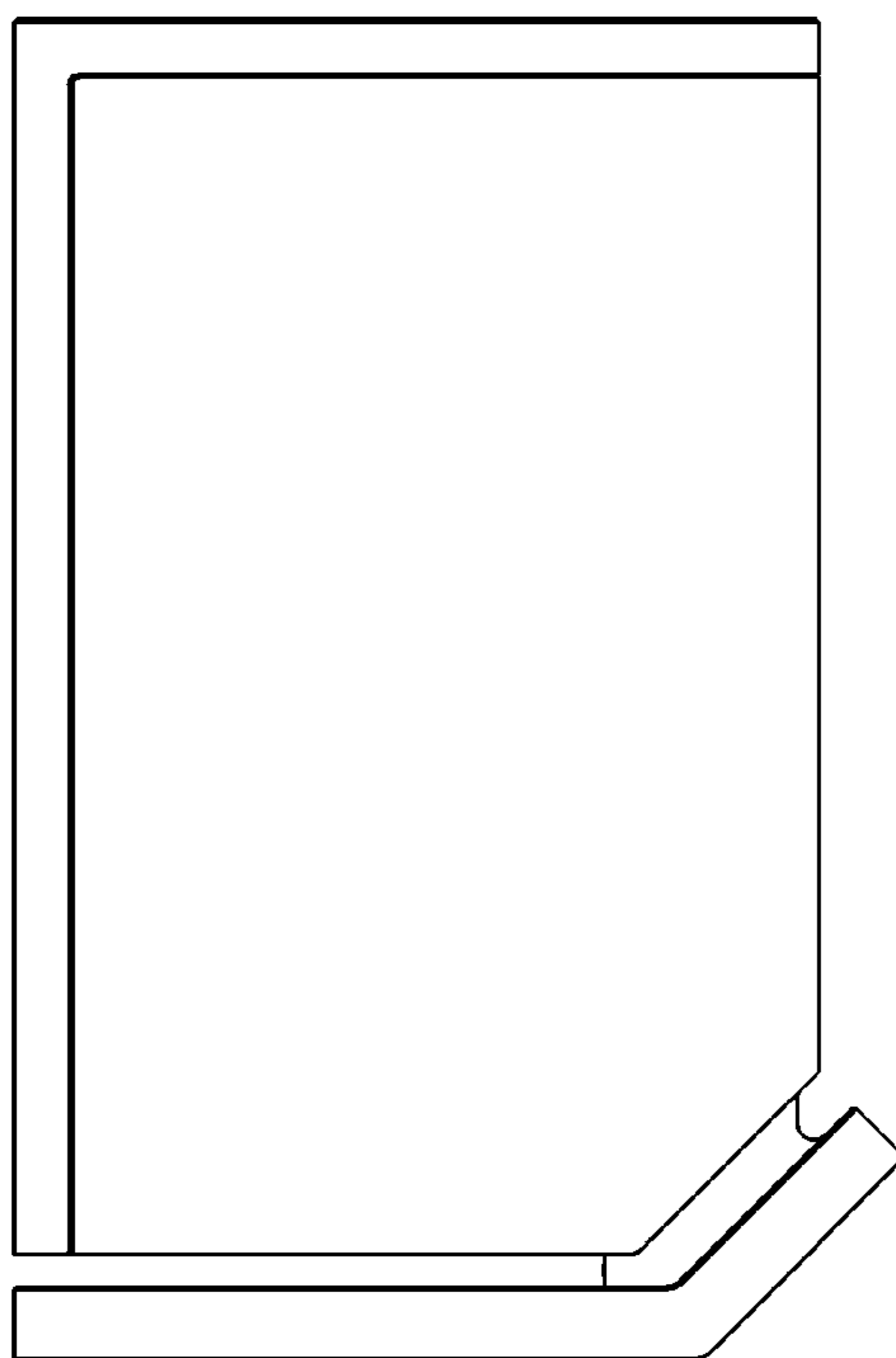


FIG. 6

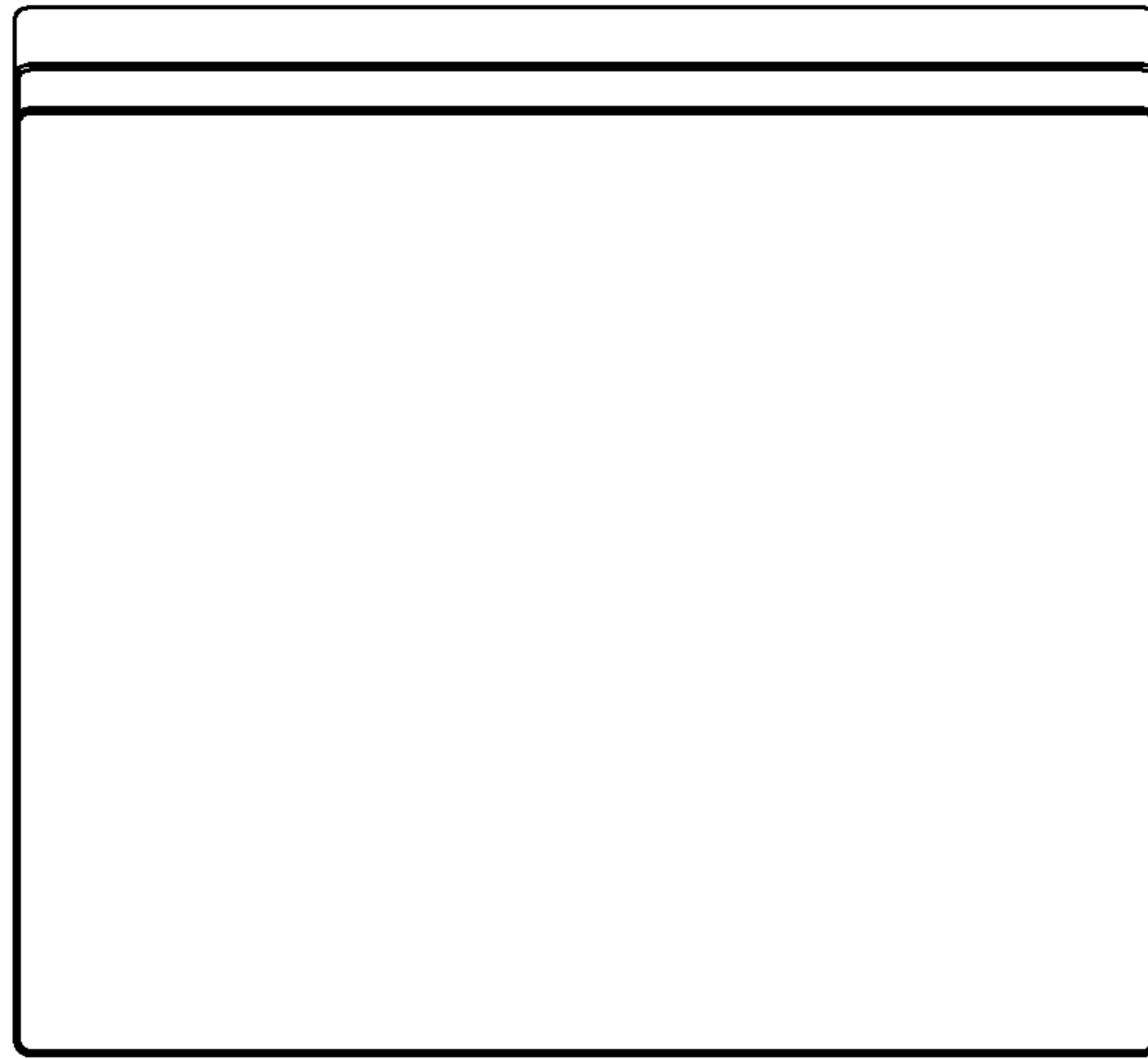


FIG. 7

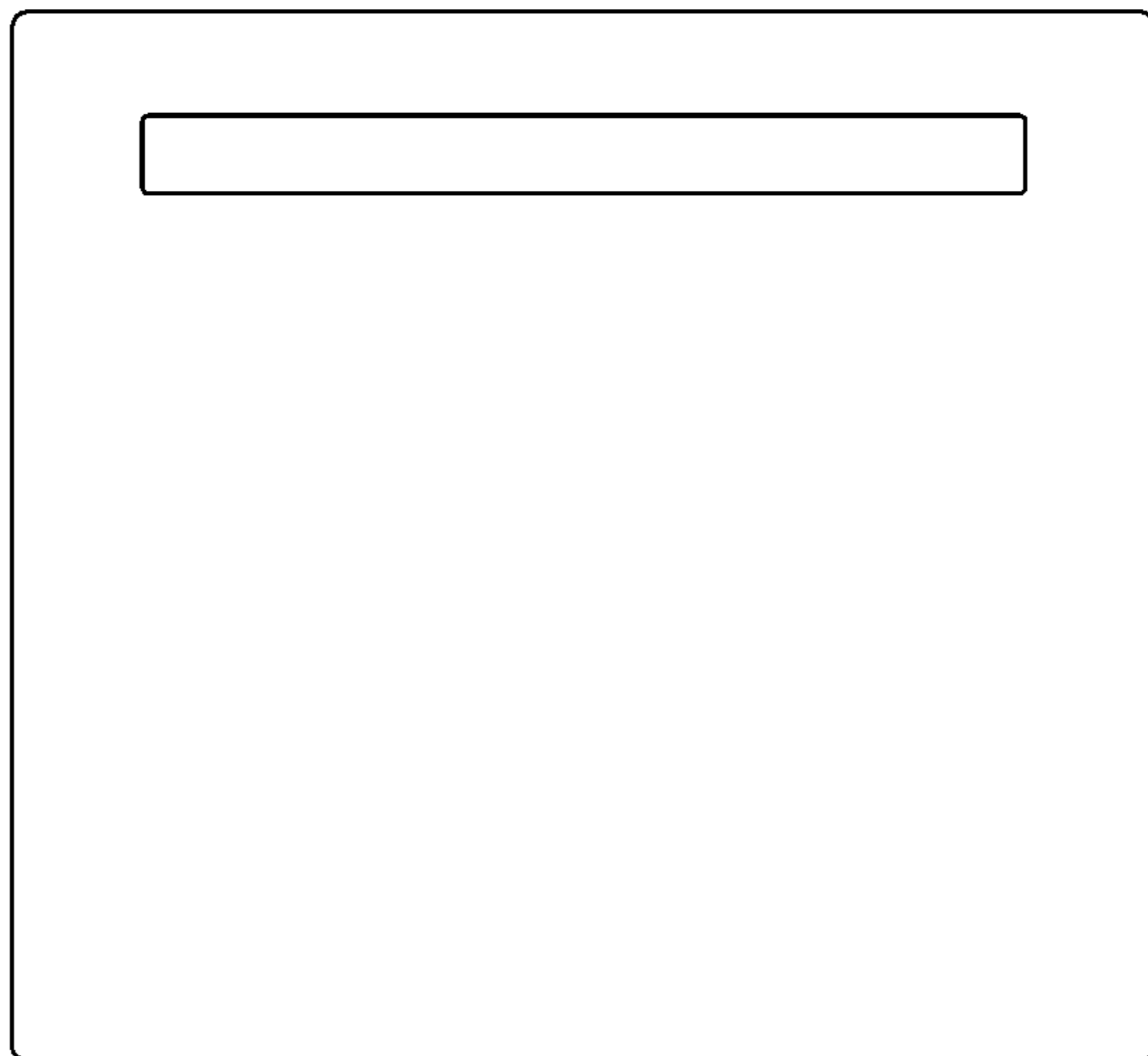


FIG. 8

