



US00D714758S

(12) **United States Design Patent**  
**Lee et al.**

(10) **Patent No.:** **US D714,758 S**  
(45) **Date of Patent:** **\*\* Oct. 7, 2014**

(54) **STAND WITH SPEAKER FOR TELEVISION RECEIVER**

(71) Applicant: **LG Electronics Inc.**, Seoul (KR)

(72) Inventors: **Yongho Lee**, Seoul (KR); **Hyojin Won**, Seoul (KR)

(73) Assignee: **LG Electronics Inc.**, Seoul (KR)

(\*\*) Term: **14 Years**

(21) Appl. No.: **29/460,829**

(22) Filed: **Jul. 16, 2013**

(30) **Foreign Application Priority Data**

Jan. 16, 2013 (KR) ..... 30-2013-0002746

(51) **LOC (10) Cl.** ..... **14-01**

(52) **U.S. Cl.**  
USPC ..... **D14/209.1**

(58) **Field of Classification Search**  
CPC ..... H04R 25/00; H04R 1/00; H04R 15/06;  
H04R 27/00; H04R 2400/00; H05K 5/00  
USPC ..... D14/204, 218, 172, 210-216, 209.1;  
181/143, 147, 148, 150, 153, 157, 198,  
181/199, 166, 144; 381/300-303, 306, 332,  
381/333, 336, 345, 361-364, 370, 386-388,  
381/145, 182

See application file for complete search history.

(56) **References Cited**

**U.S. PATENT DOCUMENTS**

4,553,628 A \* 11/1985 Nakamura ..... 181/145  
4,940,108 A \* 7/1990 Selby ..... 181/145

D328,898 S \* 8/1992 Christie ..... D14/211  
5,802,190 A \* 9/1998 Ferren ..... 381/182  
D471,891 S \* 3/2003 Oikawa ..... D14/211  
7,319,767 B2 \* 1/2008 Fidlin et al. .... 381/182  
D562,307 S \* 2/2008 Warden ..... D14/211  
D610,576 S \* 2/2010 Oliver ..... D14/230  
D656,485 S \* 3/2012 Lee et al. .... D14/211  
D681,007 S \* 4/2013 Ryu et al. .... D14/213  
D683,330 S \* 5/2013 Ryu et al. .... D14/209.1  
D687,812 S \* 8/2013 Lee ..... D14/211

\* cited by examiner

*Primary Examiner* — Prabhakar Deshmukh

(74) *Attorney, Agent, or Firm* — Morgan, Lewis & Bockius LLP

(57) **CLAIM**

The ornamental design for a stand with speaker for television receiver, as shown and described.

**DESCRIPTION**

FIG. 1 is a perspective view of a stand with speaker for television receiver showing our new design;  
FIG. 2 is a front view thereof where the rear view is a mirror image;  
FIG. 3 is a left side view thereof;  
FIG. 4 is a right side view thereof;  
FIG. 5 is a top plan view thereof;  
FIG. 6 is a bottom plan view thereof; and,  
FIG. 7 is a rear perspective view thereof showing the state that the stand with speaker for television receiver is combined with each side of the television.  
The broken lines are for illustrative purposes only and form no part of the claimed design.

**1 Claim, 7 Drawing Sheets**

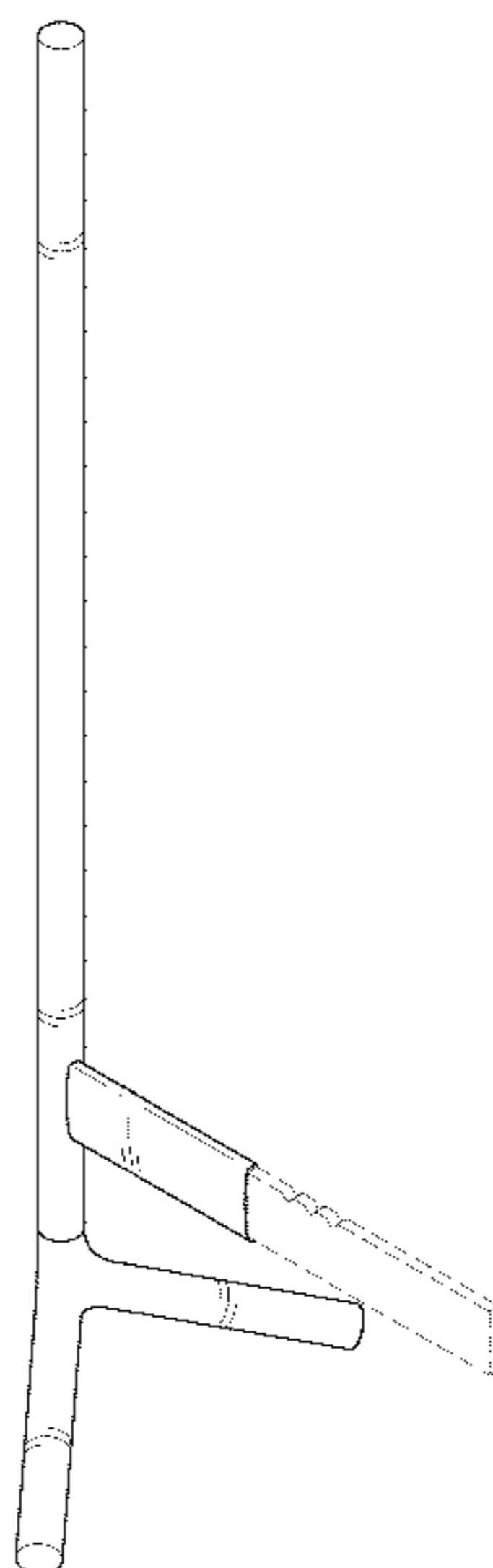


FIG. 1

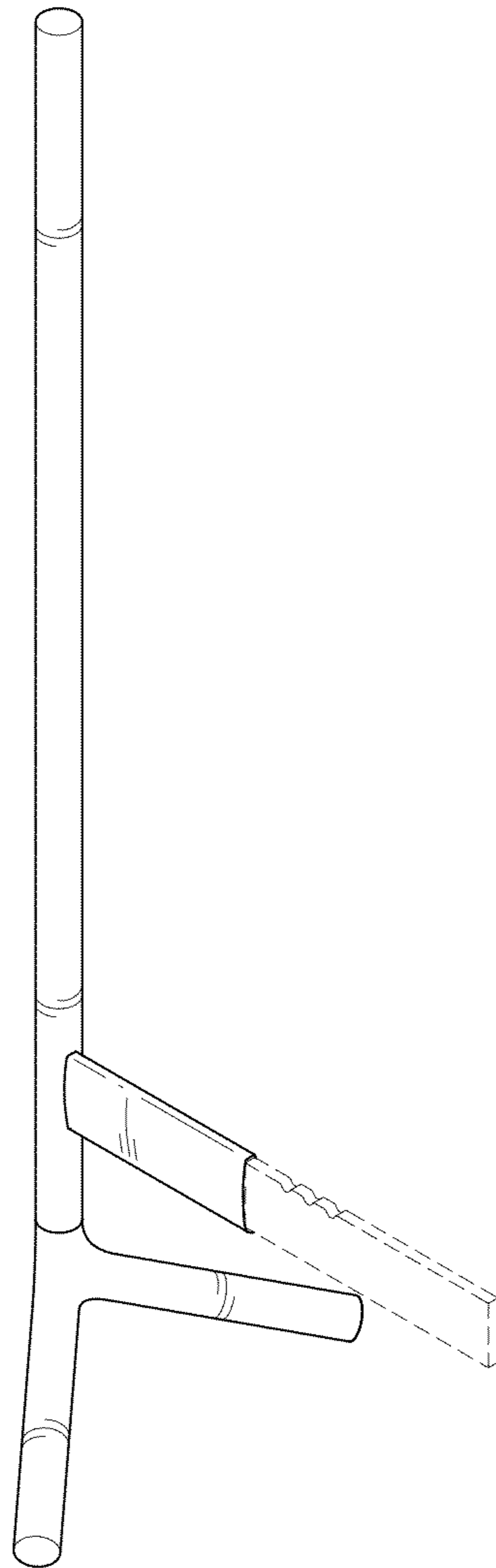


FIG. 2

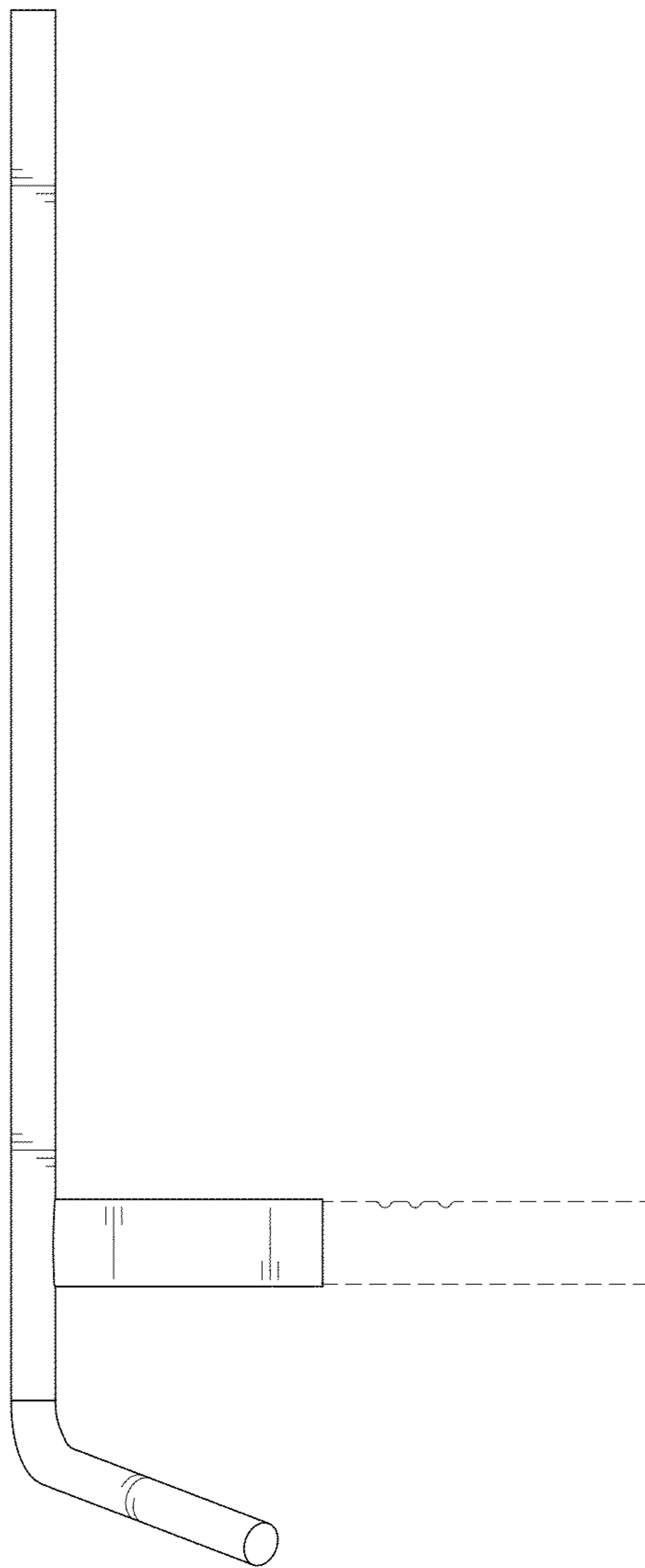


FIG. 3

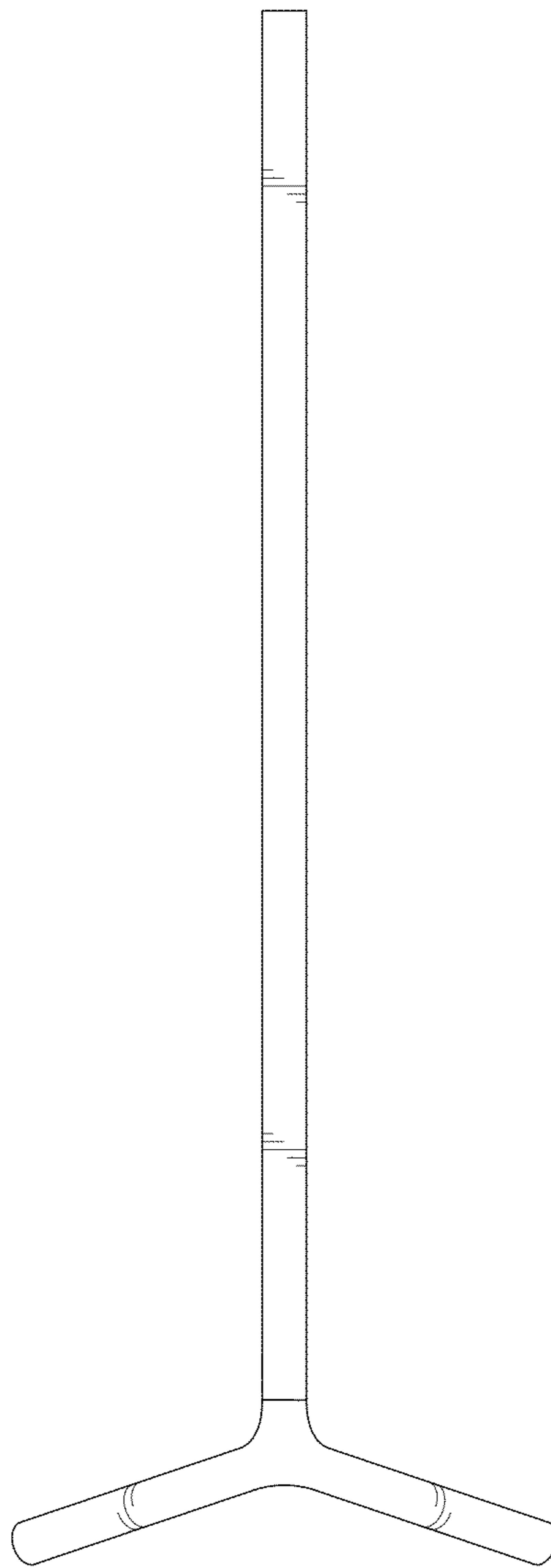


FIG. 4

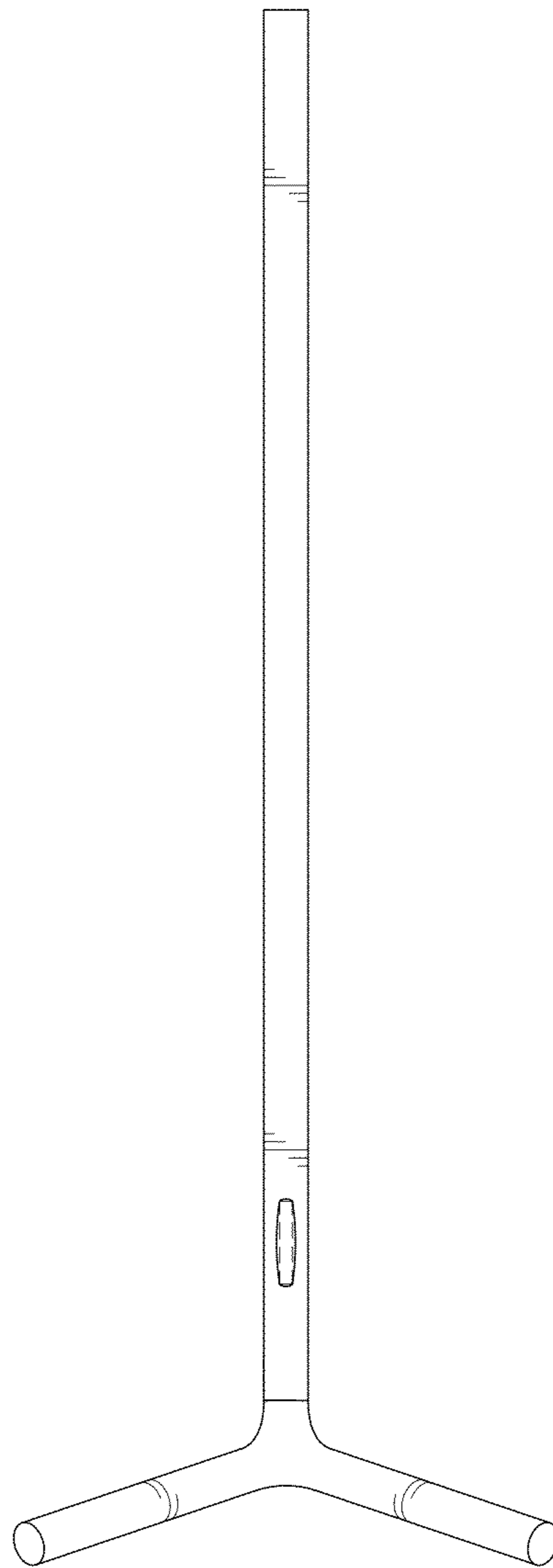


FIG. 5

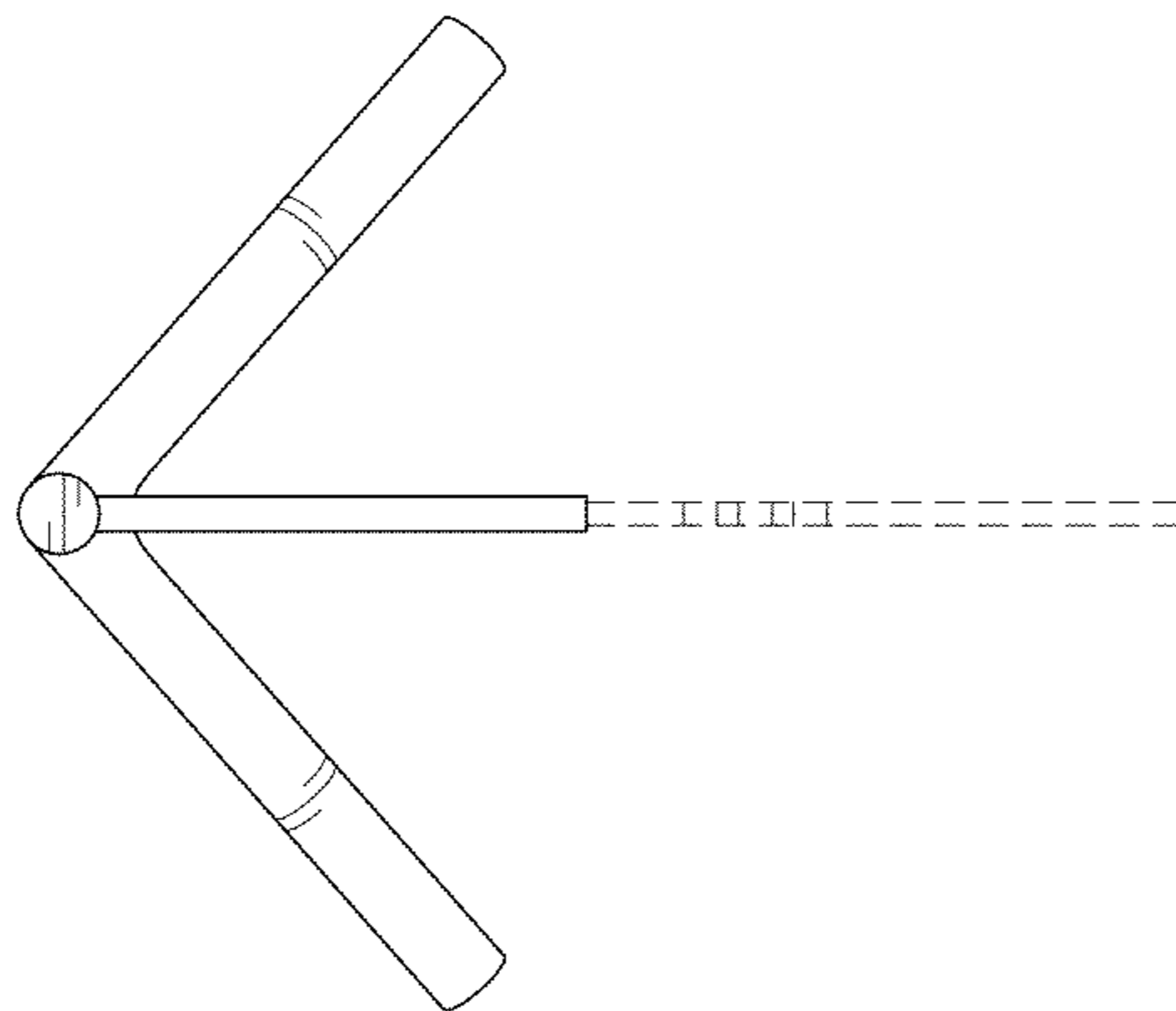


FIG. 6

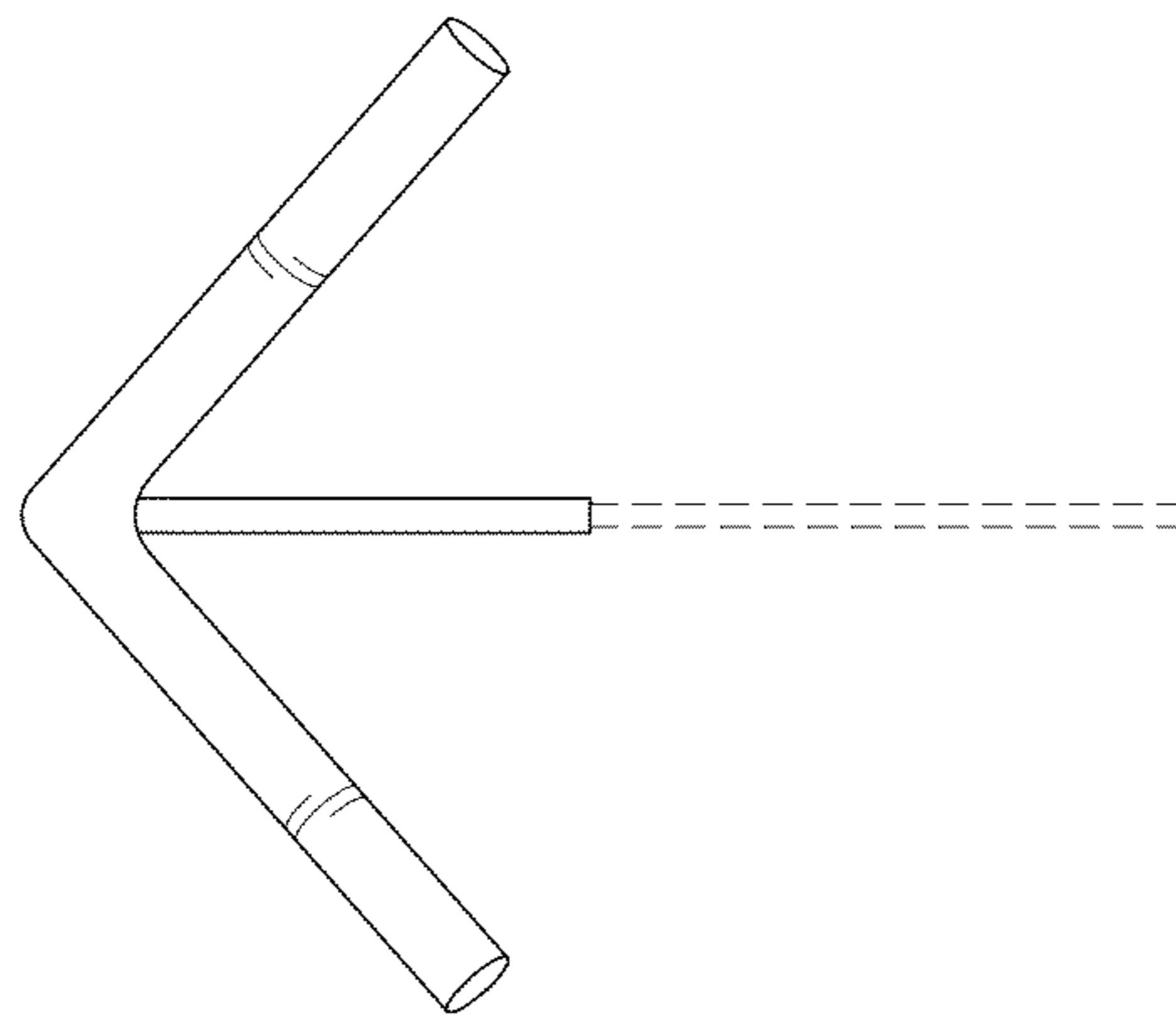


FIG. 7

