



US00D714756S

(12) **United States Design Patent**
Xiang et al.

(10) **Patent No.:** **US D714,756 S**
(45) **Date of Patent:** **** Oct. 7, 2014**

(54) **HEADPHONE**

(71) Applicant: **Creative Technology Ltd**, Singapore (SG)

(72) Inventors: **Fei Xiang**, Singapore (SG); **Huang Pheng Vince Ang**, Singapore (SG)

(73) Assignee: **Creative Technology Ltd**, Singapore (SG)

(**) Term: **14 Years**

(21) Appl. No.: **29/460,010**

(22) Filed: **Jul. 6, 2013**

(30) **Foreign Application Priority Data**

Jan. 8, 2013 (SG) D2013/18/G

(51) **LOC (10) CL.** **14-01**

(52) **U.S. Cl.**
USPC **D14/205**

(58) **Field of Classification Search**
CPC H04R 1/1066
USPC D14/205; 181/129, 130, 135; 379/430,
379/431; 381/380, 381, 370, 374; D29/112;
2/209; 455/90.3, 575.1
See application file for complete search history.

(56) **References Cited**

U.S. PATENT DOCUMENTS

D237,307 S * 10/1975 Miyamoto D14/192
D549,688 S * 8/2007 Suzuki D14/205

D573,581 S * 7/2008 Gondo et al. D14/205
D588,098 S * 3/2009 Kurihara D14/205
D603,370 S * 11/2009 Suzuki D14/205
D634,732 S * 3/2011 Kondo et al. D14/205
D637,579 S * 5/2011 Hamaura et al. D14/205
D662,080 S * 6/2012 Carr et al. D14/205
D680,516 S * 4/2013 Lee D14/205
D684,559 S * 6/2013 Groset et al. D14/205
D685,763 S * 7/2013 Lee et al. D14/205
D697,895 S * 1/2014 Lee D14/205
D697,896 S * 1/2014 Lee et al. D14/205
2009/0003616 A1 * 1/2009 Kleinschmidt et al. 381/71.6
2009/0110226 A1 * 4/2009 Ishida 381/370
2010/0158265 A1 * 6/2010 Riese 381/74

* cited by examiner

Primary Examiner — Paula Greene

(74) *Attorney, Agent, or Firm* — Russell Swerdon; Desmond Gean

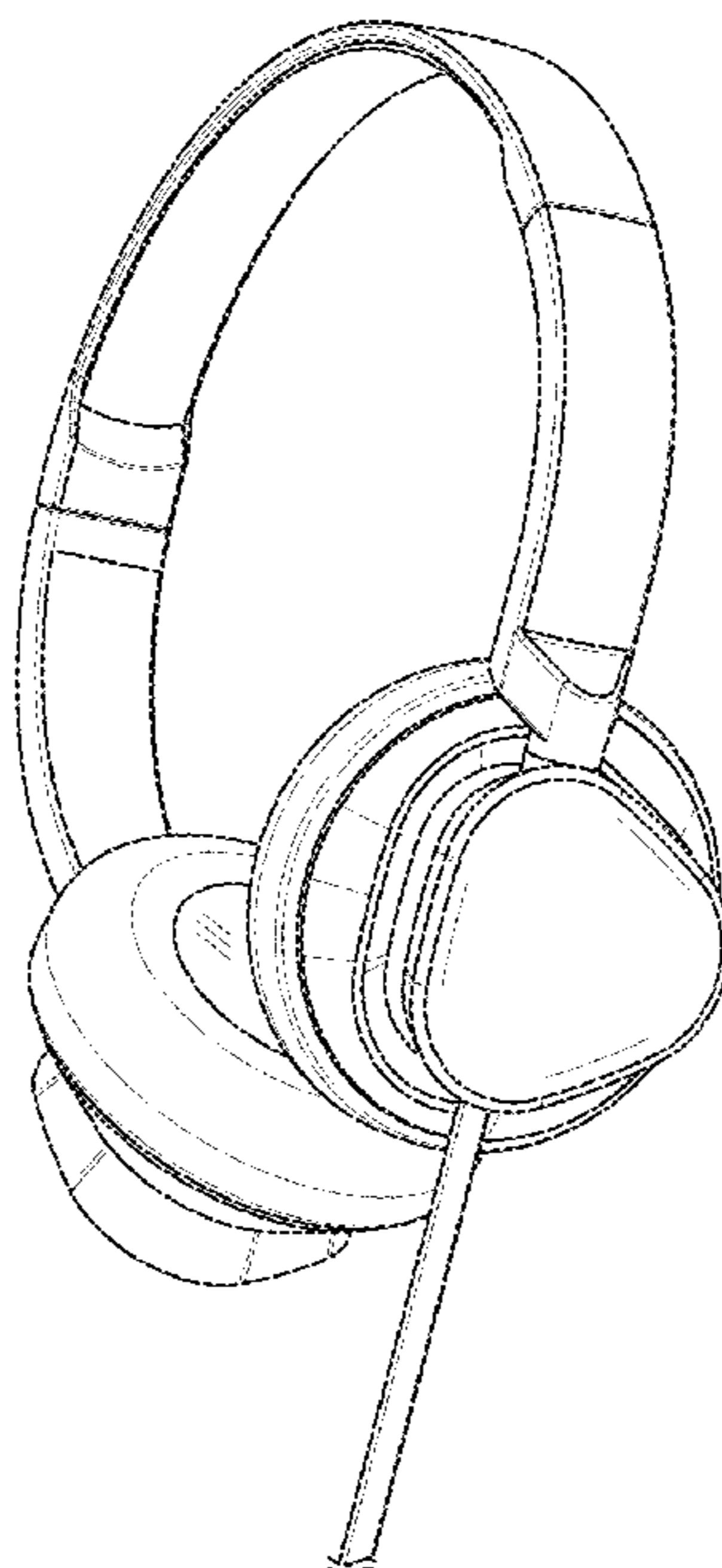
(57) **CLAIM**

The ornamental design for a headphone, substantially as shown and described.

DESCRIPTION

FIG. 1 is a front bottom right side perspective view of a headphone showing our new design, the cord is drawn broken away for indeterminate length;
FIG. 2 is a rear bottom right side perspective view thereof;
FIG. 3 is a front elevational view thereof;
FIG. 4 is a rear elevational view thereof;
FIG. 5 is a right side elevational view thereof;
FIG. 6 is a left side elevational view thereof;
FIG. 7 is a top plan view thereof; and,
FIG. 8 is a bottom plan view thereof.

1 Claim, 8 Drawing Sheets



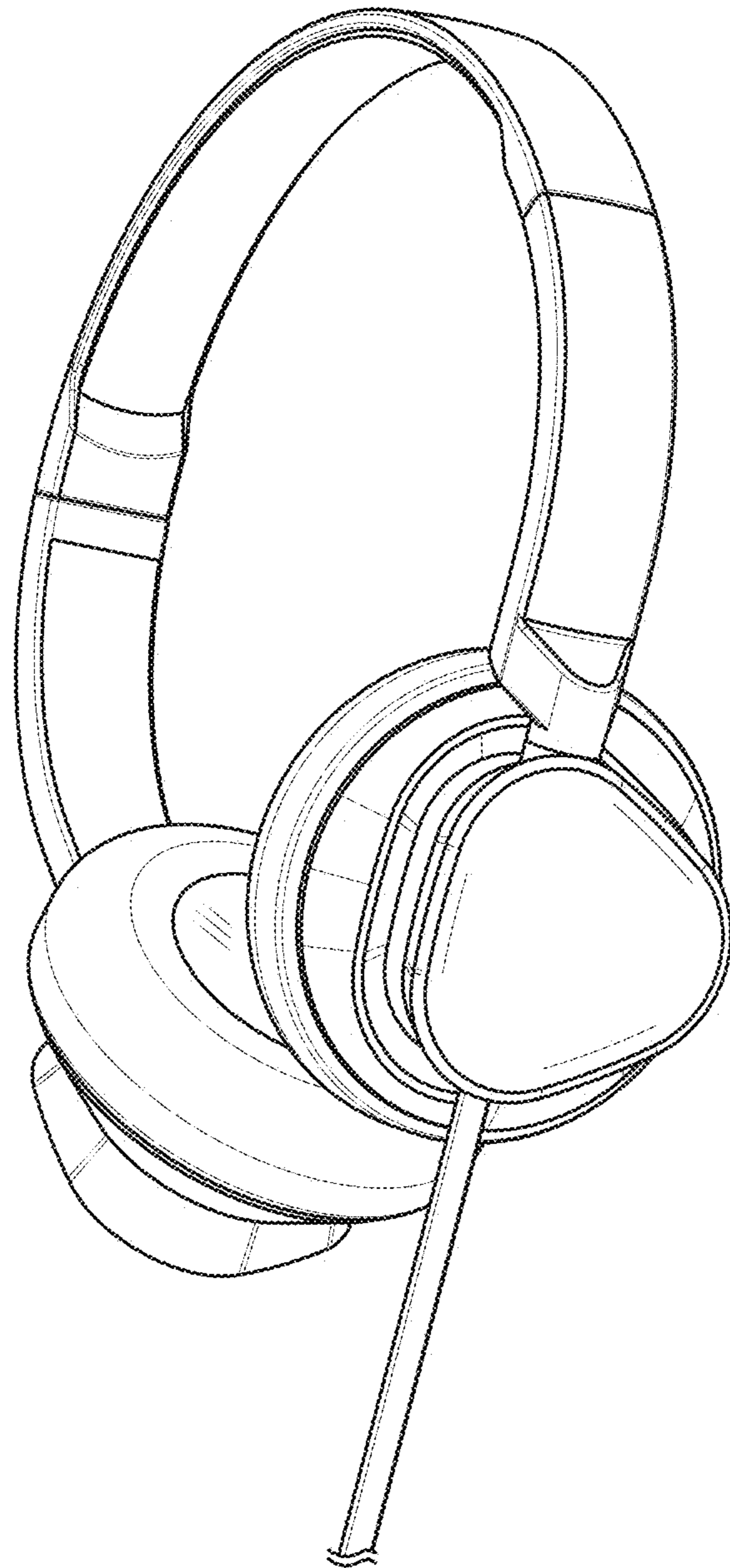


FIG. 1



FIG. 2



FIG. 3



FIG. 4

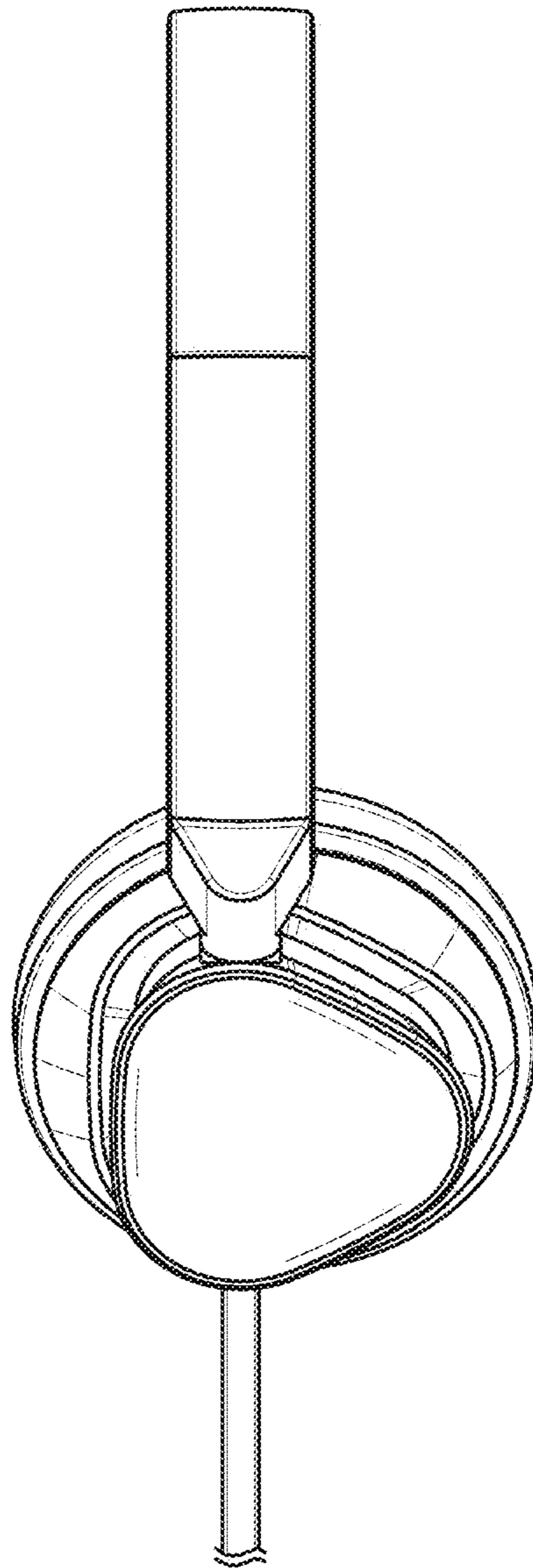


FIG. 5

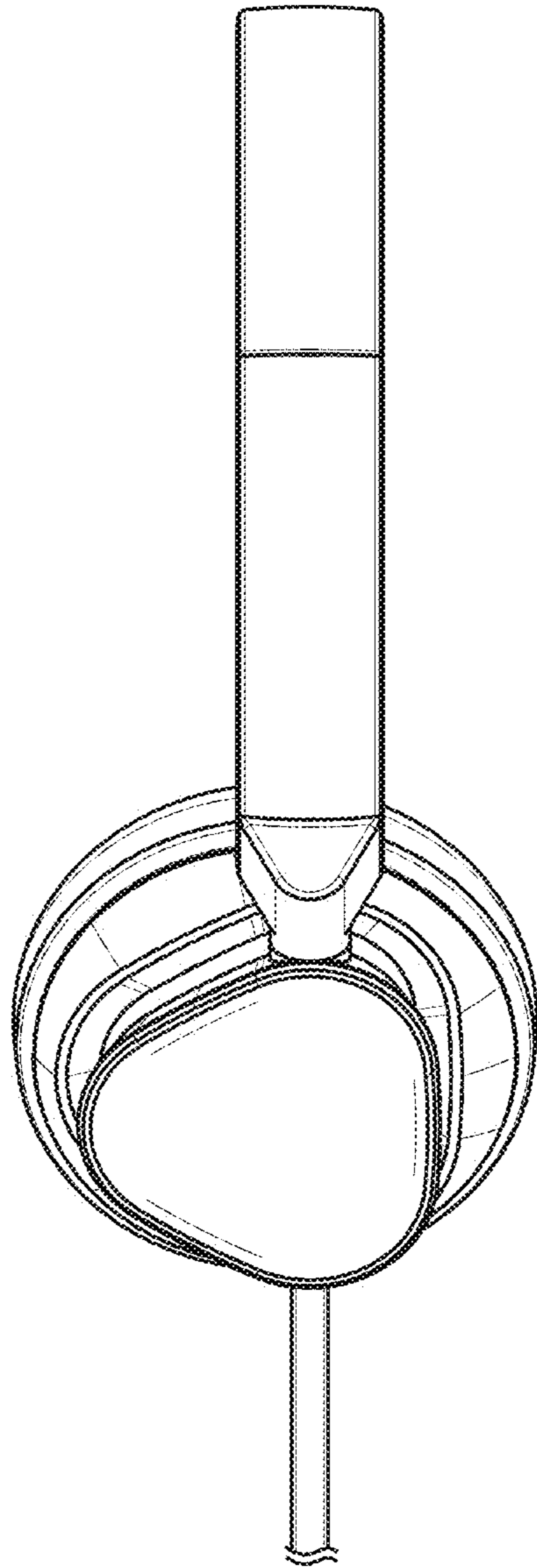


FIG. 6

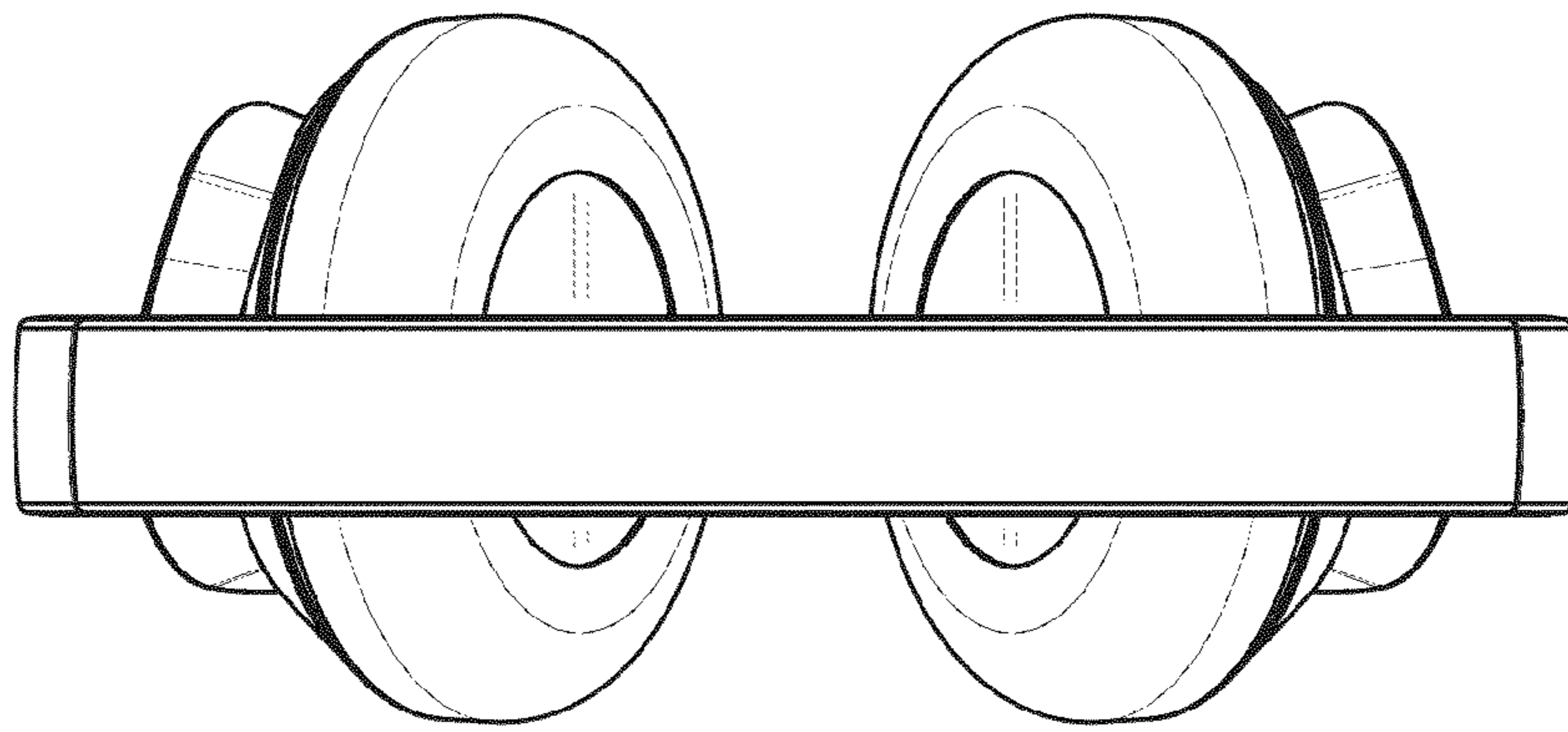


FIG. 7

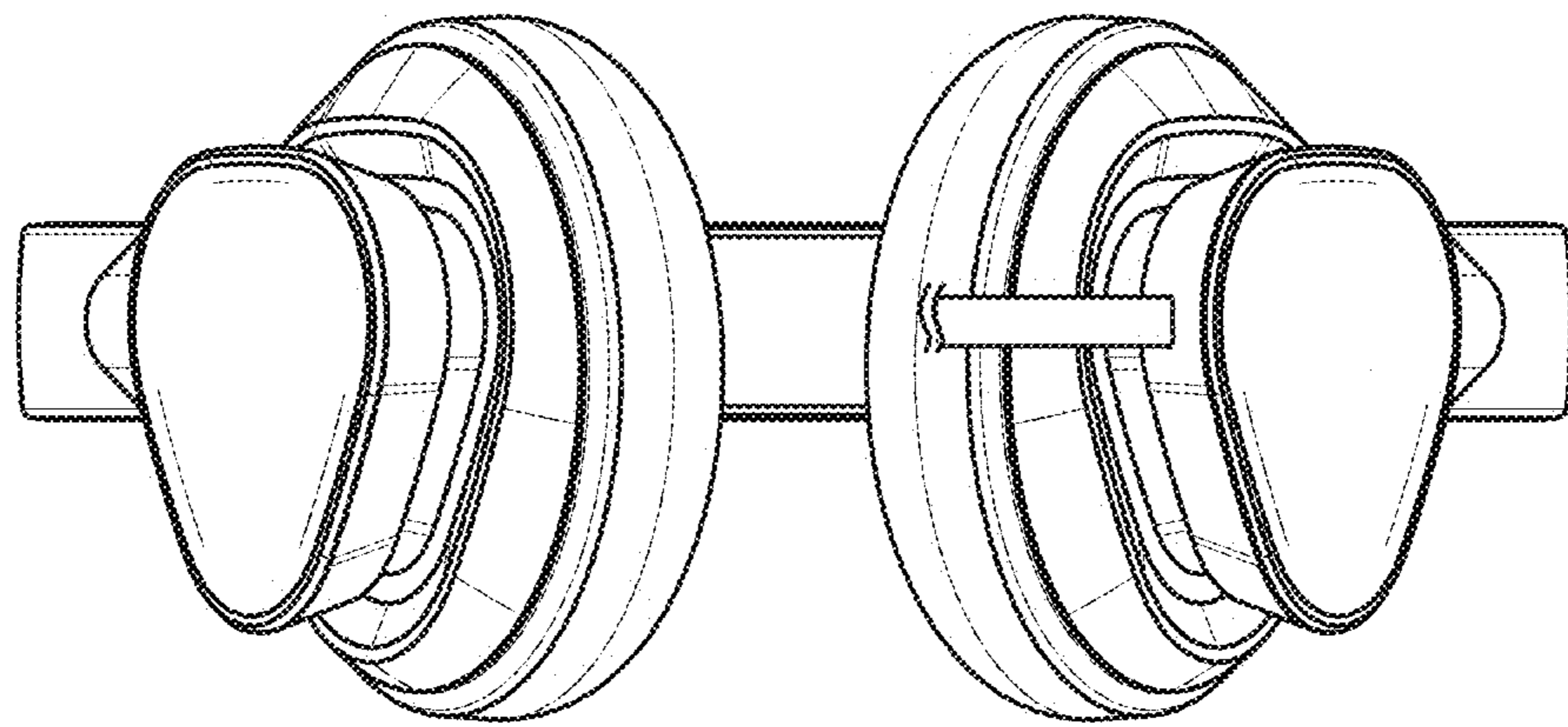


FIG. 8