



US00D714755S

(12) **United States Design Patent**
Ookawa

(10) **Patent No.:** **US D714,755 S**
(45) **Date of Patent:** **** Oct. 7, 2014**

(54) **TELEPHONE BASE UNIT**

(71) Applicant: **Panasonic Corporation**, Kadoma (JP)

(72) Inventor: **Takayuki Ookawa**, Osaka (JP)

(73) Assignee: **Panasonic Corporation**, Osaka (JP)

(**) Term: **14 Years**

(21) Appl. No.: **29/470,275**

(22) Filed: **Oct. 18, 2013**

(51) **LOC (10) Cl.** **14-03**

(52) **U.S. Cl.**
USPC **D14/149**

(58) **Field of Classification Search**
USPC D14/142, 140.7, 140.8, 144, 149, 150,
D14/151, 155, 158, 159, 170-172, 188,
D14/209.1, 214, 217, 226, 229, 243, 240,
D14/251-253, 399, 329, 434, 447, 137, 138,
D14/147, 191, 218, 247-248, 341-347,
D14/496; D21/517; 455/557, 573, 575.1,
455/74.1; 710/303; D13/168; D10/65, 78,
D10/104; D24/169; D18/7

See application file for complete search history.

(56) **References Cited**

U.S. PATENT DOCUMENTS

D282,853 S *	3/1986	Yoshioka et al.	D18/7
D299,646 S *	1/1989	Stierwalt	D14/250
D301,236 S *	5/1989	Suzui et al.	D14/142
D302,815 S	8/1989	Goatman		
D328,091 S *	7/1992	Takahata	D18/7
D355,186 S *	2/1995	Danielson et al.	D14/186
D355,187 S *	2/1995	Danielson et al.	D14/141.1
D359,490 S	6/1995	Arakaki et al.		
6,049,701 A *	4/2000	Sparksman	455/74.1
D457,868 S	5/2002	Shintani		
D463,389 S *	9/2002	Stafford-Fraser	D14/151
D482,341 S	11/2003	Jauregui et al.		

D549,665 S *	8/2007	Chen	D13/168
D550,644 S	9/2007	Cho et al.		
D571,777 S	6/2008	Waterman et al.		
D599,842 S *	9/2009	Palmer	D18/7
D605,179 S *	12/2009	Rudolph et al.	D14/218
D633,133 S *	2/2011	Takaghi	D18/7
D638,375 S *	5/2011	Clymer et al.	D13/168
D638,805 S *	5/2011	Clymer et al.	D13/168
D641,718 S *	7/2011	Sakai	D13/168
D649,124 S *	11/2011	Jacoby et al.	D13/168
D665,383 S *	8/2012	McManigal et al.	D14/218
D678,238 S	3/2013	Furuno et al.		

(Continued)

OTHER PUBLICATIONS

AT&T, Advanced American Telephones "TL92273," obtained from the Internet address <http://telephones.att.com/products/product_detail/2397> on Sep. 12, 2013, 2 pages.

Primary Examiner — Susan Bennett Hattan

Assistant Examiner — Marie Fast Horse

(74) *Attorney, Agent, or Firm* — Brinks Gilson & Lione

(57) **CLAIM**

I claim the ornamental design for a telephone base unit, as shown and described.

DESCRIPTION

FIG. 1 is a front perspective view of a telephone base unit of the present invention;

FIG. 2 is a front view thereof;

FIG. 3 is a rear view thereof;

FIG. 4 is a first side view thereof;

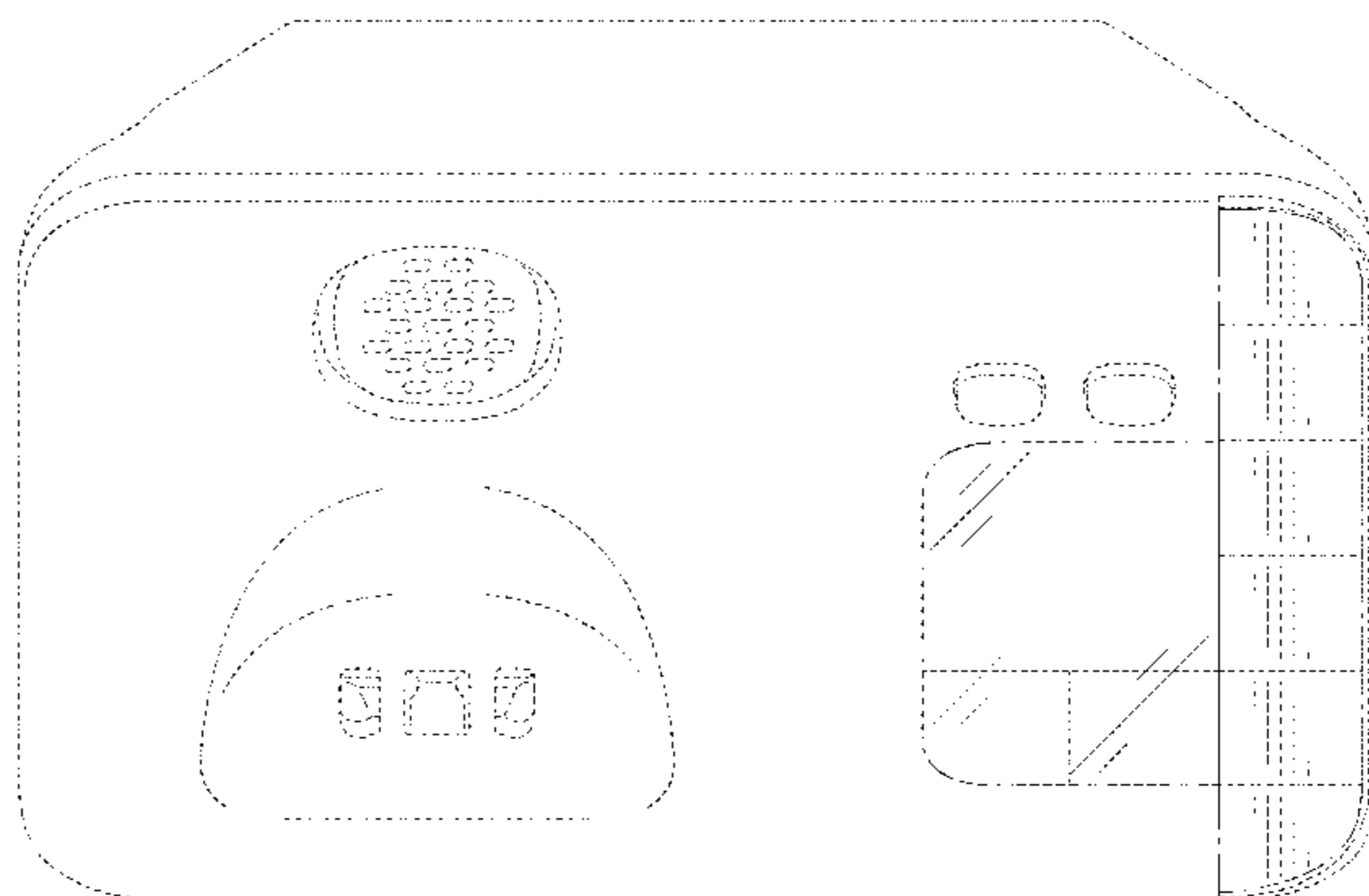
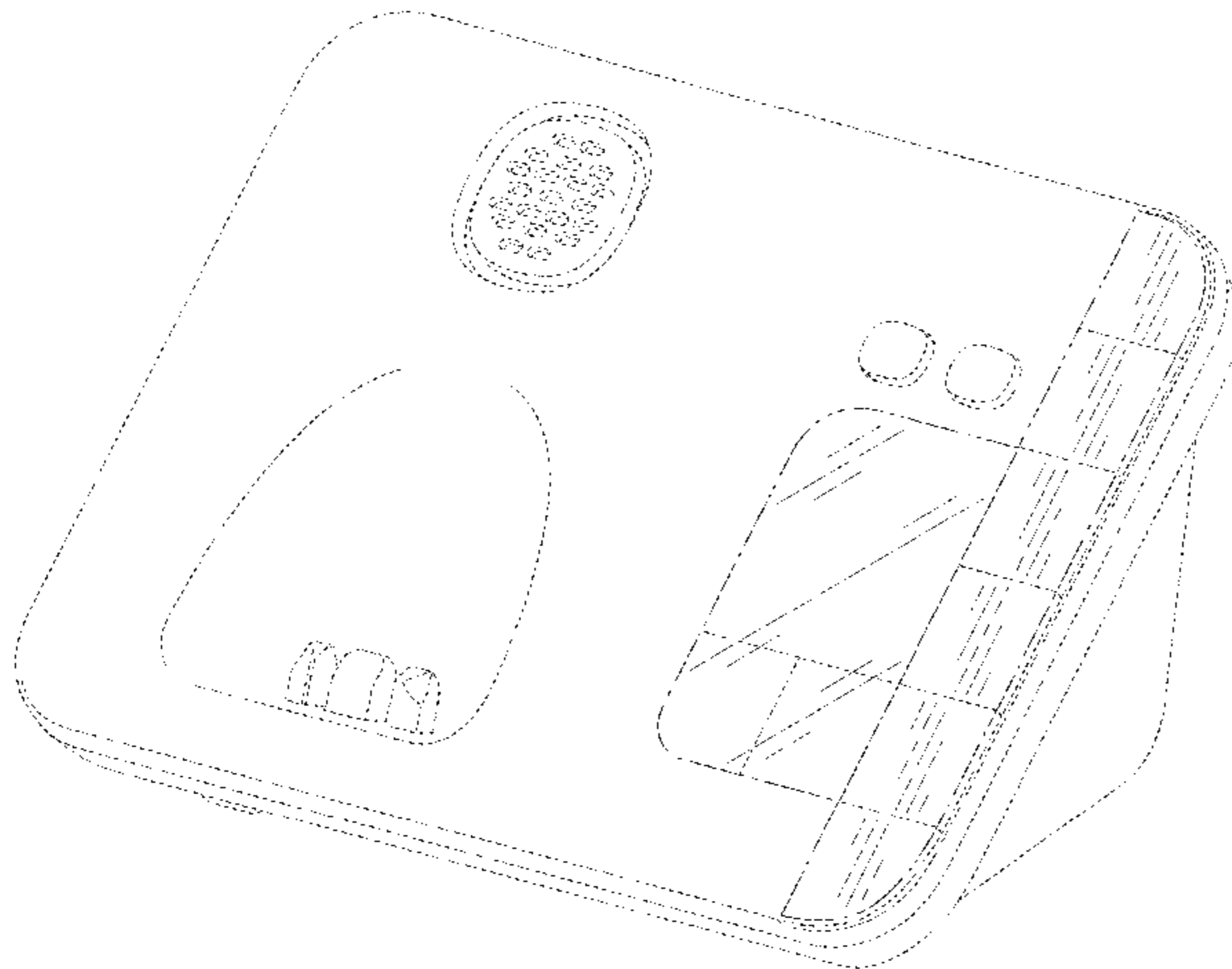
FIG. 5 is a second side view thereof;

FIG. 6 is a top view thereof; and,

FIG. 7 is a bottom view thereof.

The dash-dash broken lines shown represent environmental subject matter and form no part of the claimed design. Additionally, the dash-dot broken lines in the drawings define the limits of the claimed design.

1 Claim, 7 Drawing Sheets



US D714,755 S

Page 2

(56)

References Cited

U.S. PATENT DOCUMENTS

D678,855 S *	3/2013	Shadovitz et al.	D14/150		
D679,261 S *	4/2013	McDonald et al.	D13/168		
				D680,084 S *	4/2013 McDonald et al. D13/168
				D684,574 S *	6/2013 Taunay da Graca
					Couto D14/385
				2014/0148216 A1*	5/2014 Kanai et al. 455/554.2

* cited by examiner

FIG.1

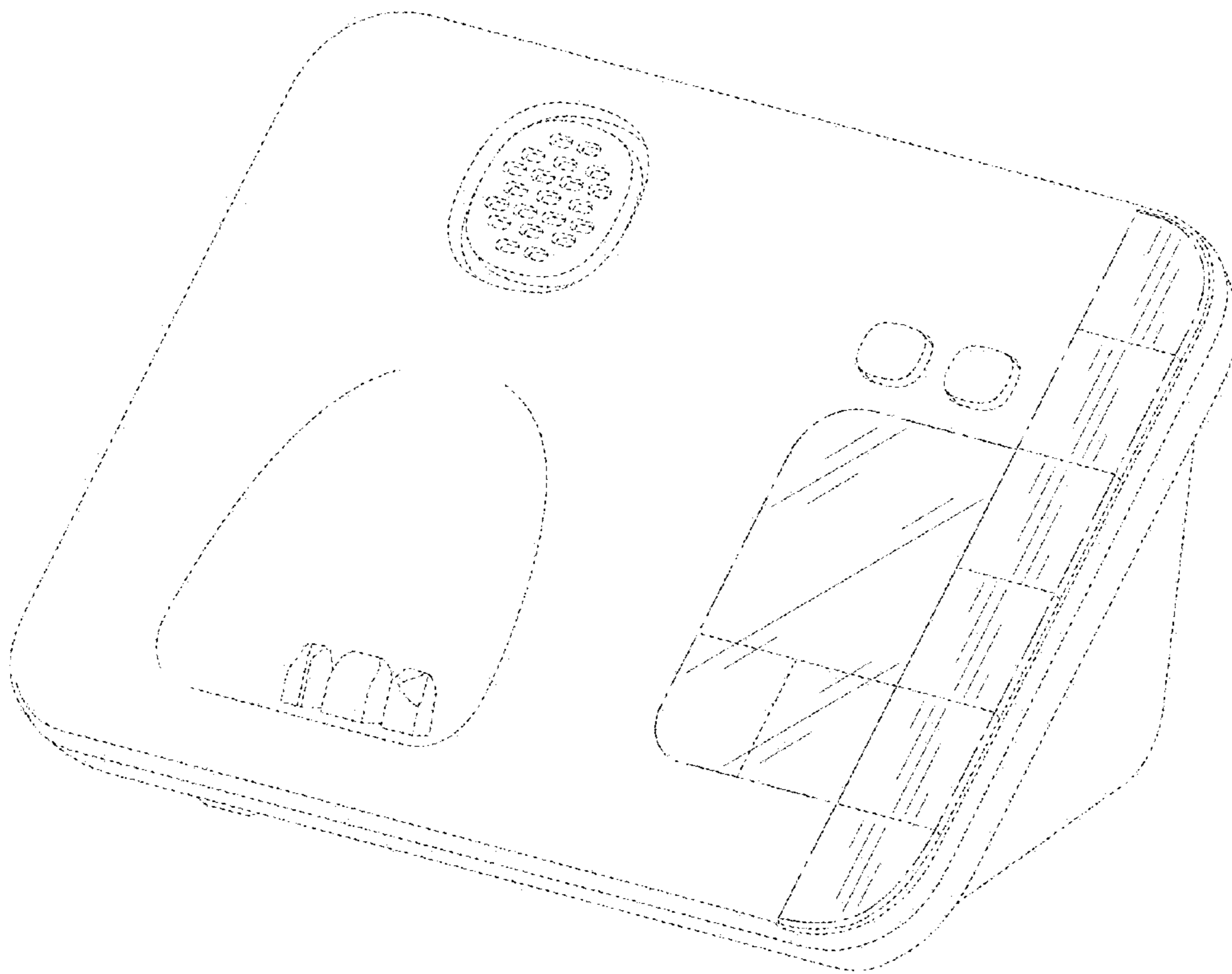


FIG.2

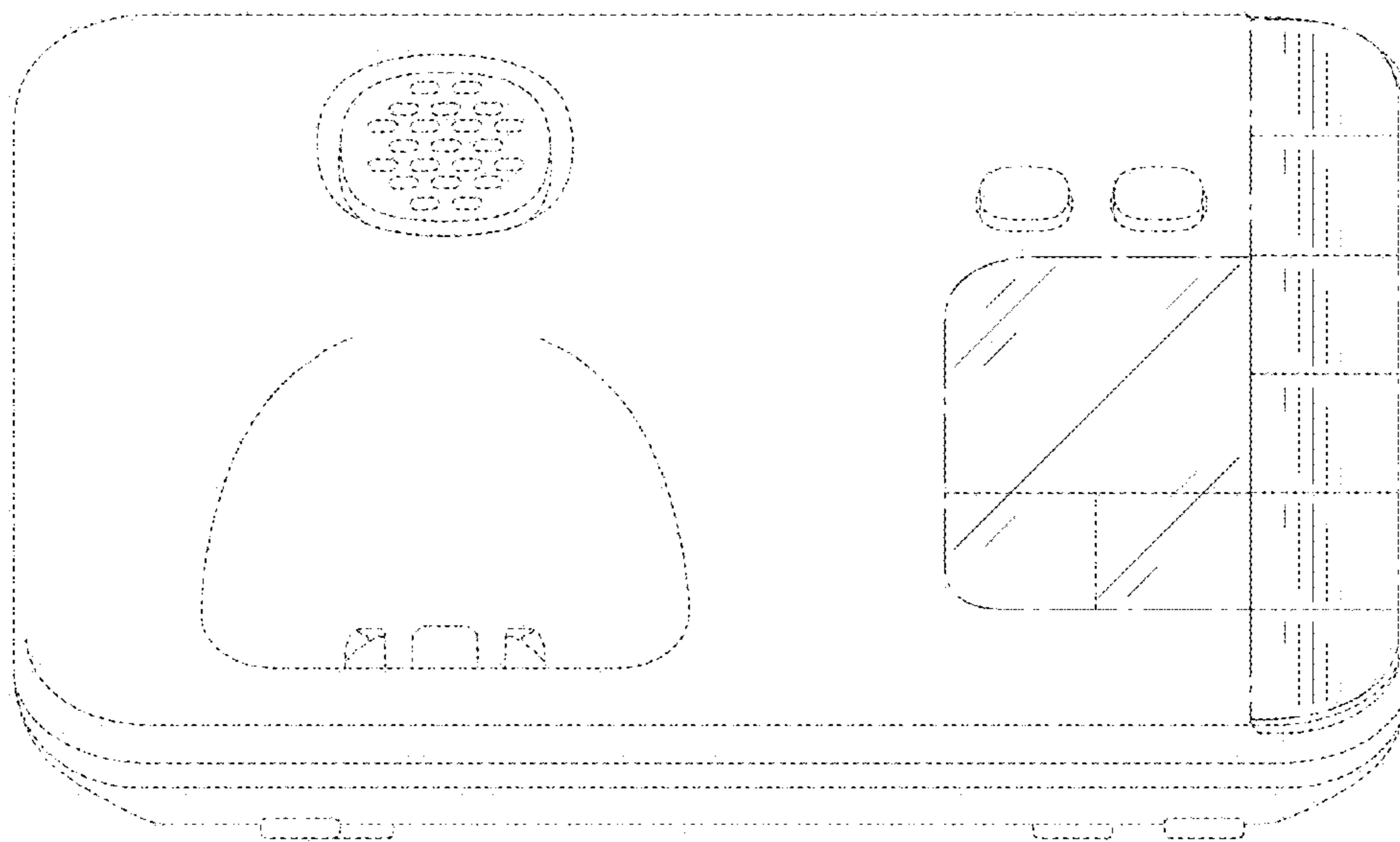


FIG.3

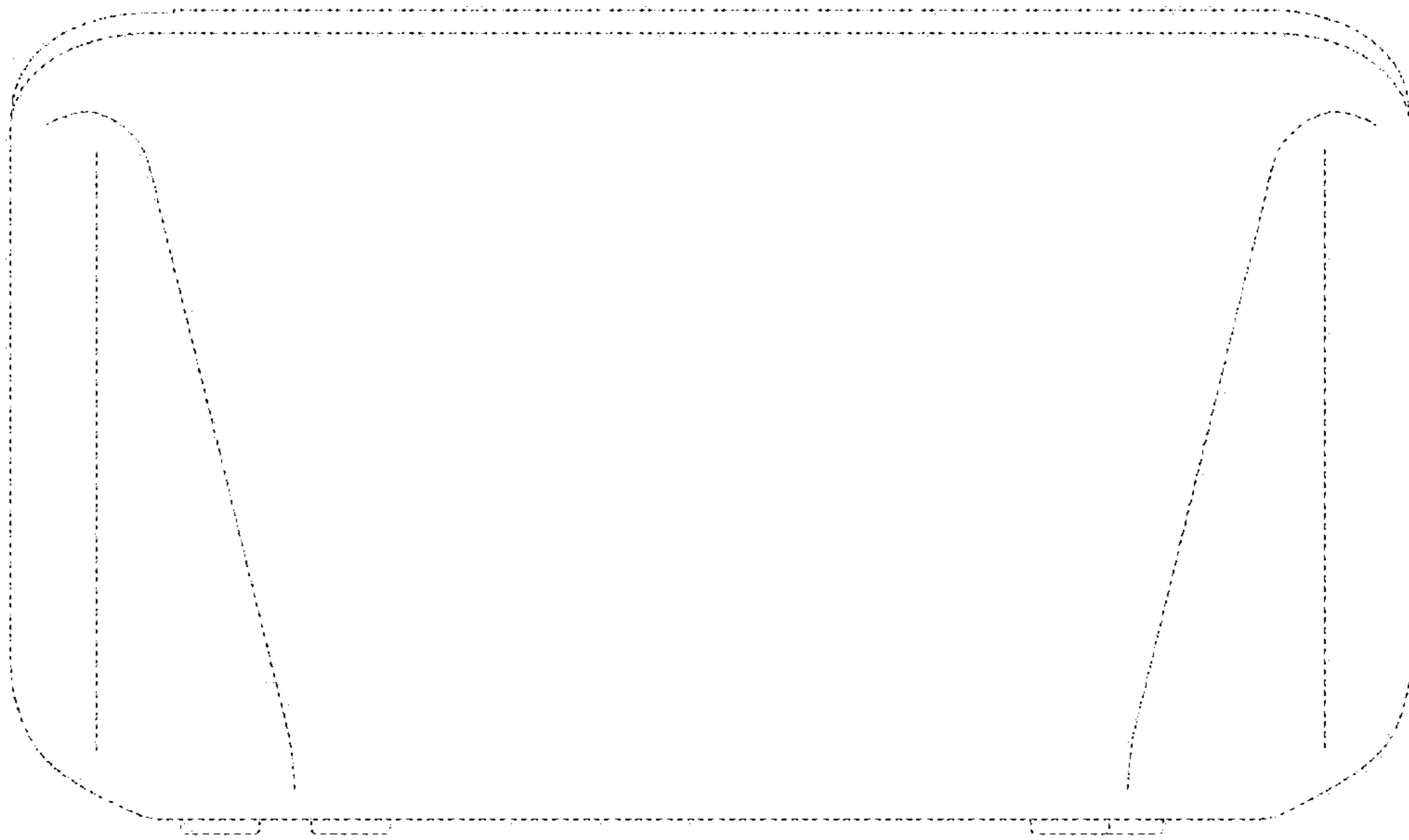


FIG.4

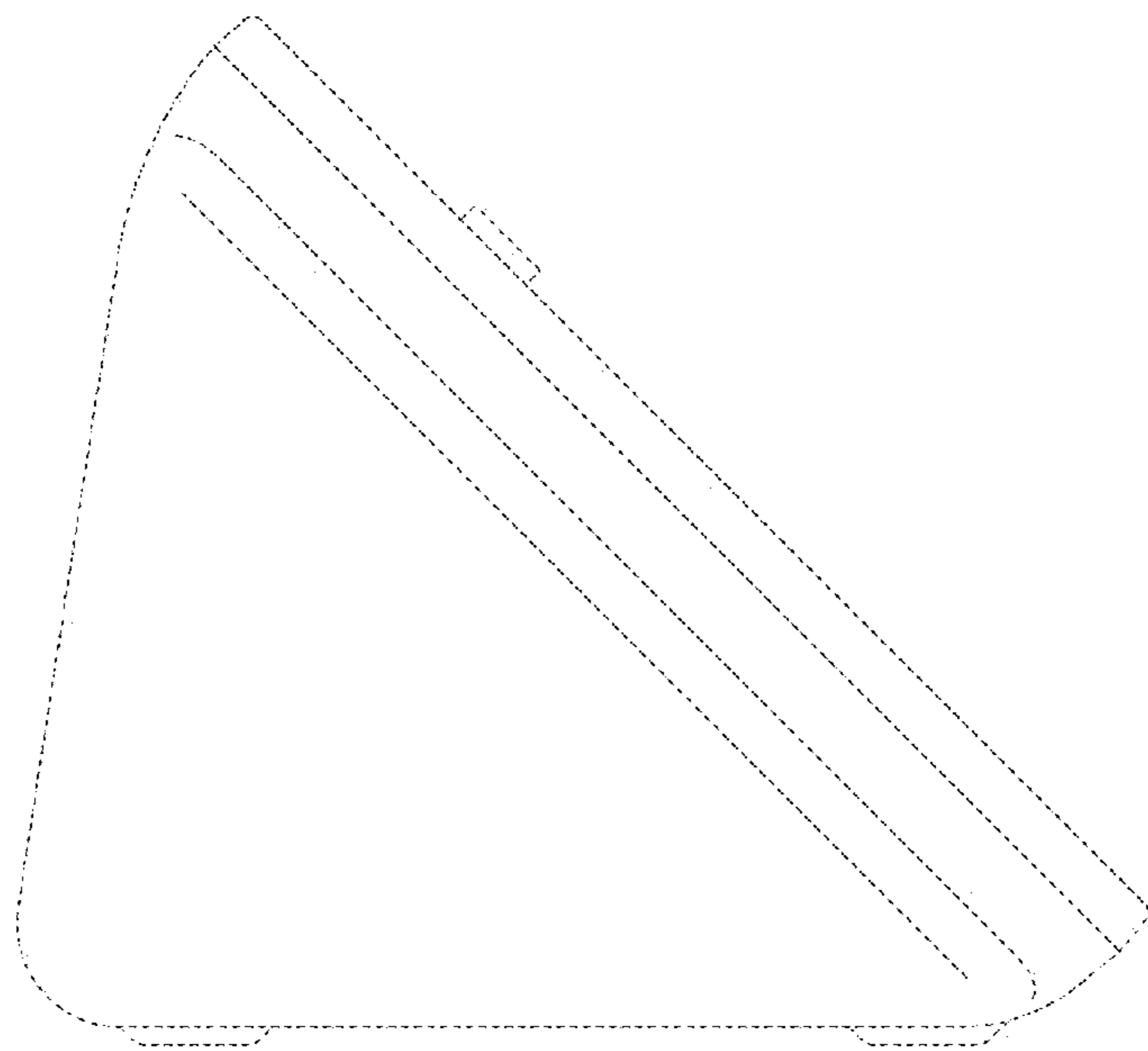


FIG.5

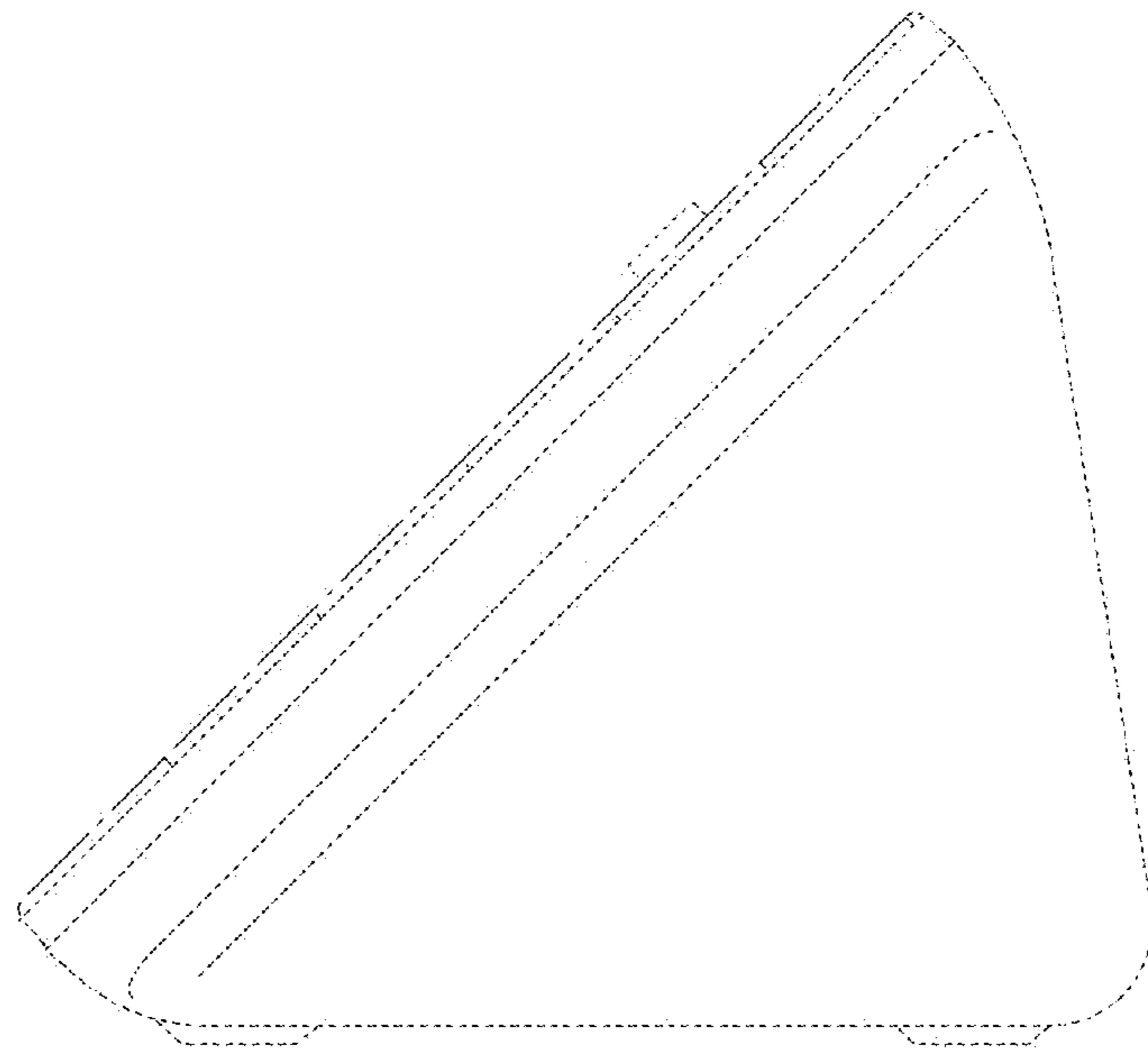


FIG.6

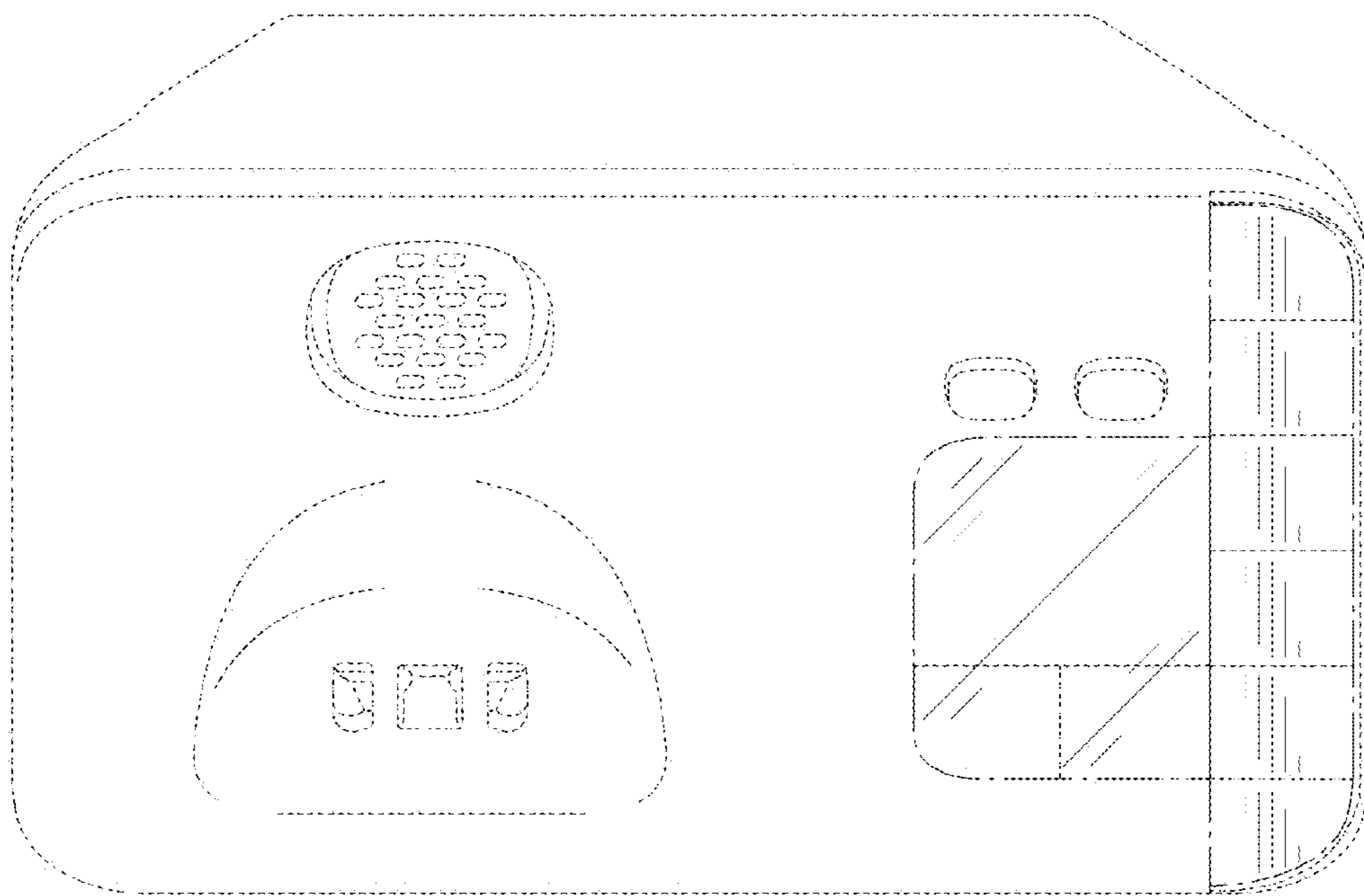


FIG.7

