



US00D714747S

(12) **United States Design Patent**
Kim et al.

(10) **Patent No.:** **US D714,747 S**
(45) **Date of Patent:** **** Oct. 7, 2014**

(54) **TV RECEIVER**

(75) Inventors: **Jae Hyung Kim**, Gwangju Si (KR); **Jun Ho Yang**, Sunghnam (KR)

(73) Assignee: **Samsung Electronics Co., Ltd.**, Gyeonggi-do (KR)

(**) Term: **14 Years**

(21) Appl. No.: **29/425,082**

(22) Filed: **Jun. 20, 2012**

(51) **LOC (10) Cl.** **14-03**

(52) **U.S. Cl.**
USPC **D14/126**

(58) **Field of Classification Search**
USPC D14/126, 451, 238, 127, 132, 211;
312/7.2; 348/836, 838, 180, 184, 325,
348/739; 341/12; 248/917-924, 465, 446,
248/157; 345/104, 133, 156, 168, 87, 173;
720/605, 600, 655; 455/347; D16/242;
D6/333, 364, 653.2, 675, 677.3,
D6/708.18; D20/17, 18, 39, 21, 22;
D10/15, 26; 222/553, 566, 568, 570;
215/329, 238, 243, 305, 316, 355, 200,
215/217, 222, 223, 229, 235, 236, 252,
215/254; D9/448, 454; D7/401.1, 670, 622;
D46/126, 214, 235, 239, 317, 439, 451,
D46/191, 195, 203.6, 215, 216, 228, 249;
D8/350; 273/148 B

See application file for complete search history.

(56) **References Cited**

U.S. PATENT DOCUMENTS

1,714,368	A	*	5/1929	Hobson	222/553
D302,111	S	*	7/1989	Newell et al.	D9/448
D373,728	S	*	9/1996	Moore	D9/448
D375,263	S	*	11/1996	Knickerbocker	D9/448
D480,383	S	*	10/2003	Bolton et al.	D14/214
D578,106	S	*	10/2008	Shimizu	D14/214
D600,119	S	*	9/2009	Sweeton	D9/448
D656,023	S	*	3/2012	Baker et al.	D9/448
D703,046	S	*	4/2014	Harwood et al.	D9/448

* cited by examiner

Primary Examiner — Robert M Spear

Assistant Examiner — Eliza Bennett-Hattan

(74) *Attorney, Agent, or Firm* — Harness, Dickey & Pierce

(57) **CLAIM**

We claim the ornamental design for a TV receiver, as shown and described.

DESCRIPTION

FIG. 1 is a front/right-side/top perspective view of a TV receiver showing our new design;
FIG. 2 is a front-side elevational view thereof;
FIG. 3 is a rear-side elevational view thereof;
FIG. 4 is a left-side elevational view thereof;
FIG. 5 is a right-side elevational view thereof;
FIG. 6 is a top-side elevational view thereof;
FIG. 7 is a bottom-side elevational view thereof;
FIG. 8 is an enlarged detail view of the portion shown in FIG. 1; and,
FIG. 9 is a left side elevational view showing the TV receiver in an alternate position of use.
The broken lines in the drawing depict environmental subject matter only and form no part of the claimed design.

1 Claim, 8 Drawing Sheets

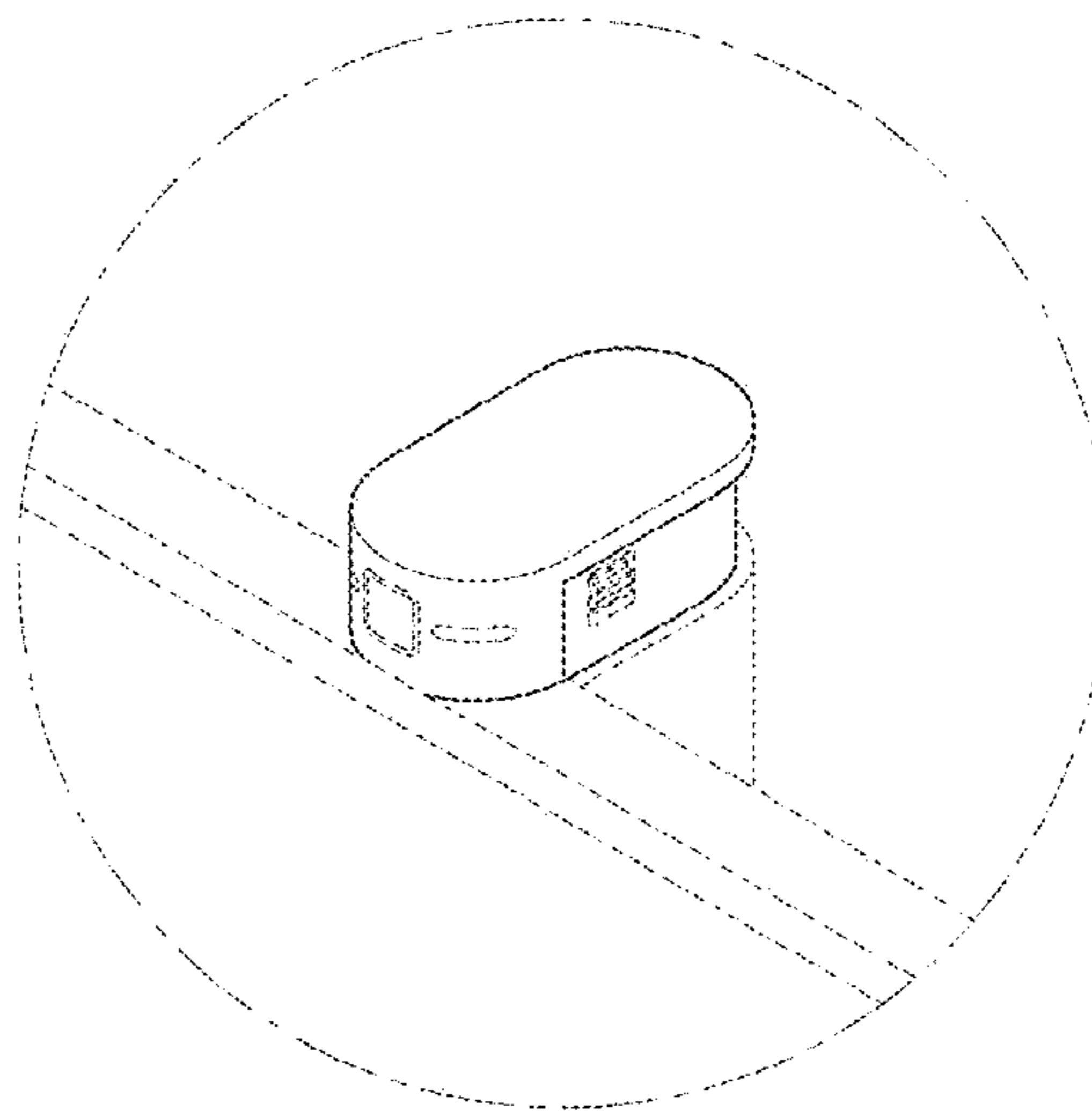
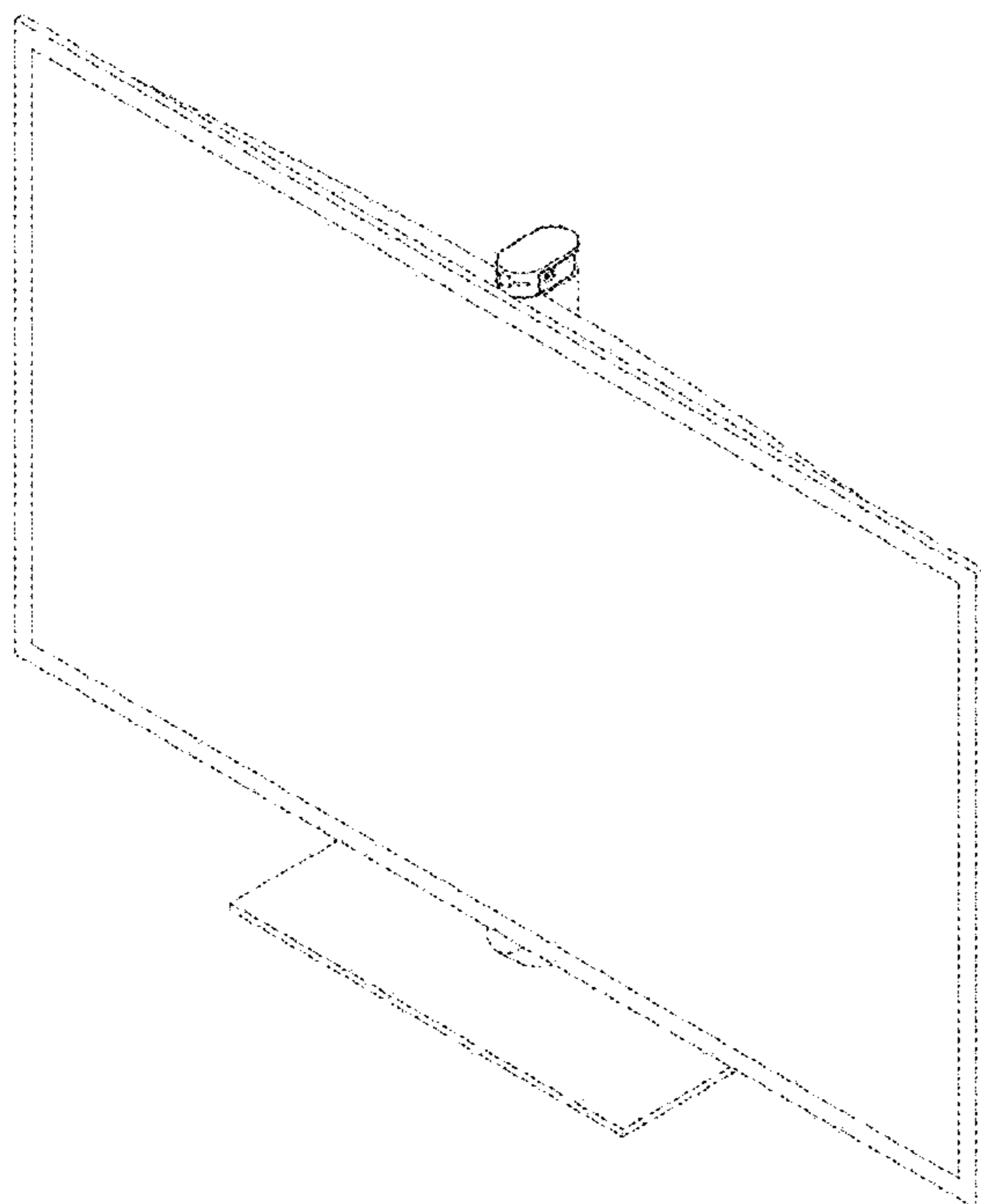


FIG. 1

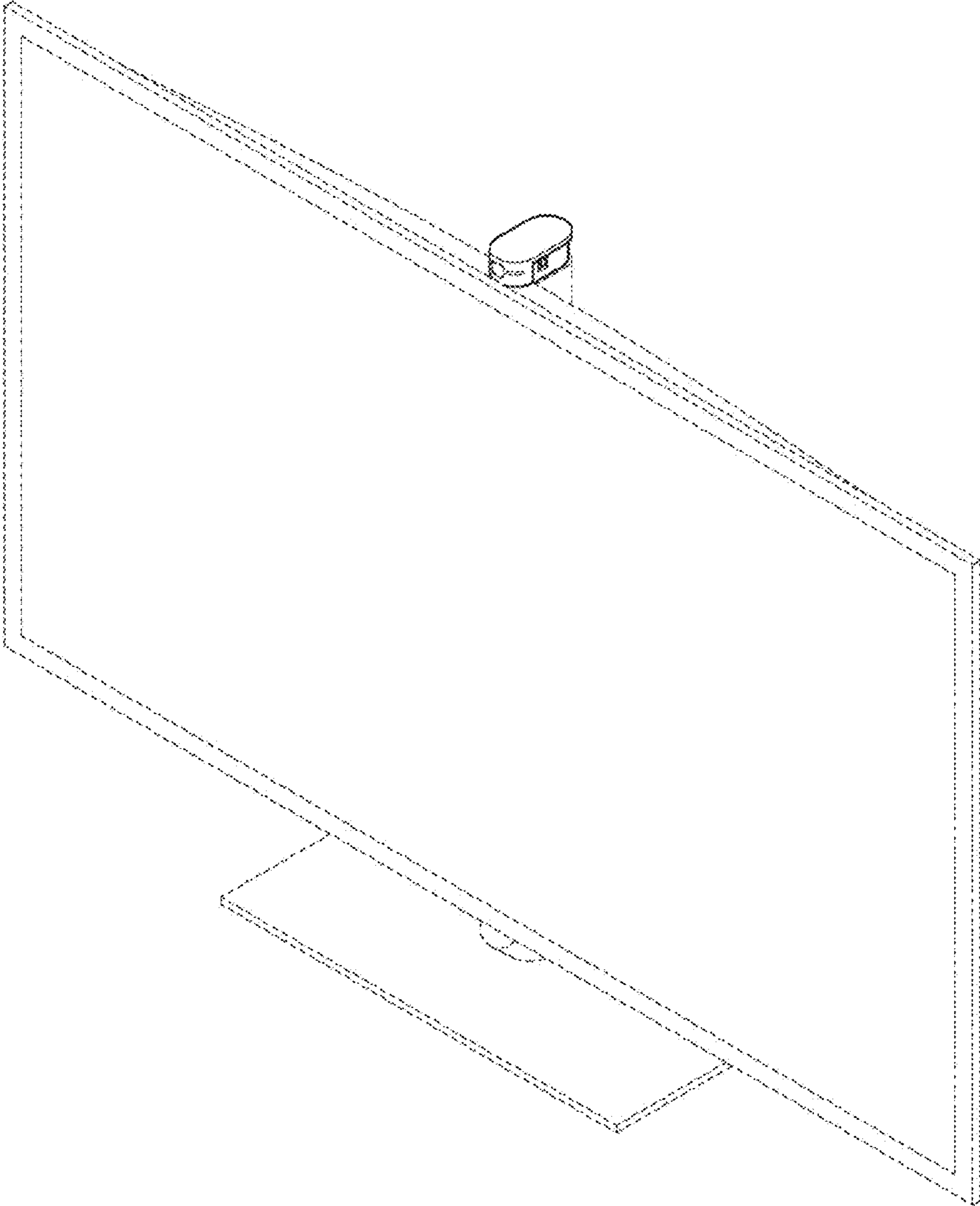


FIG. 2

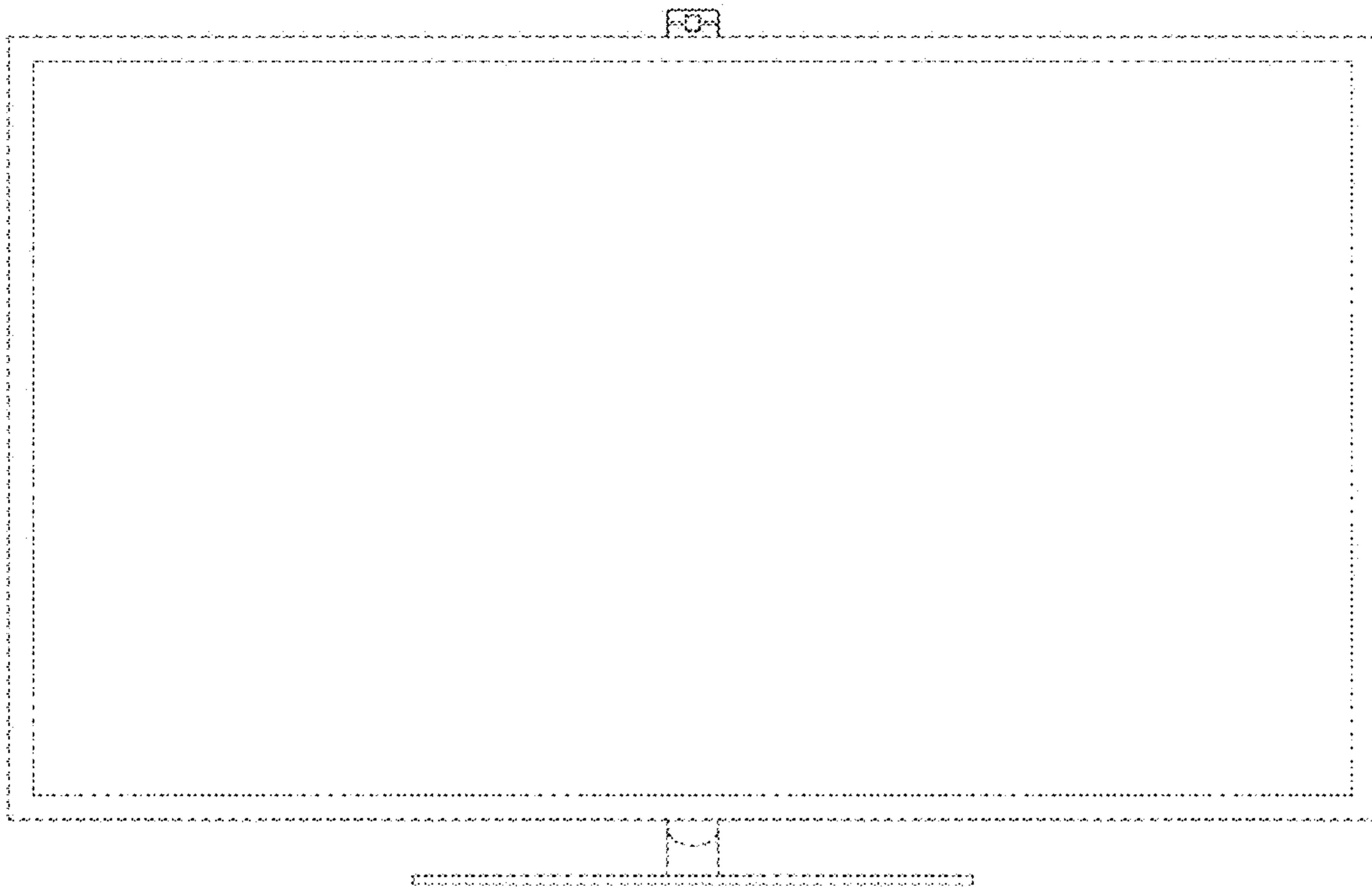


FIG. 3

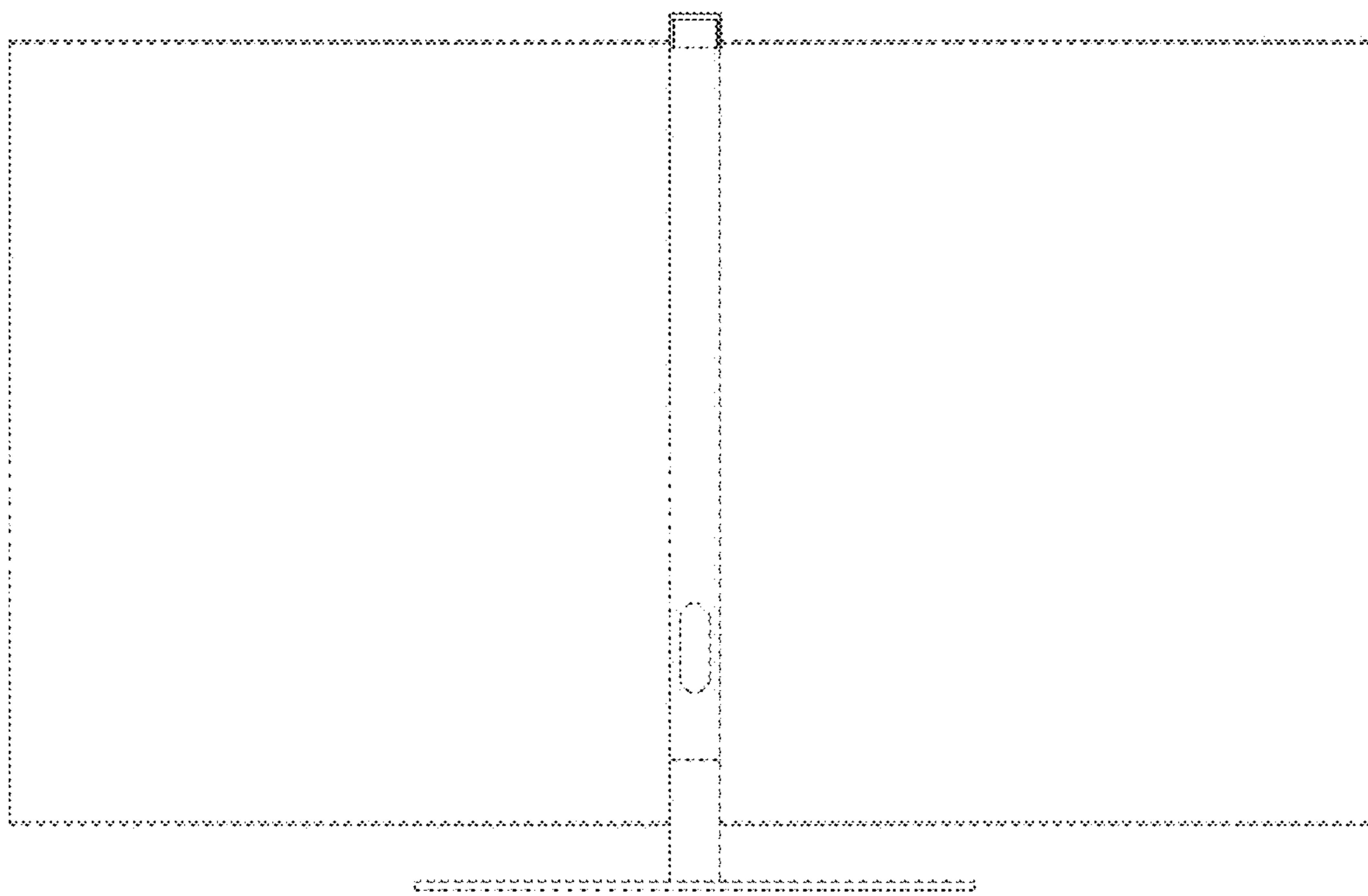


FIG. 4

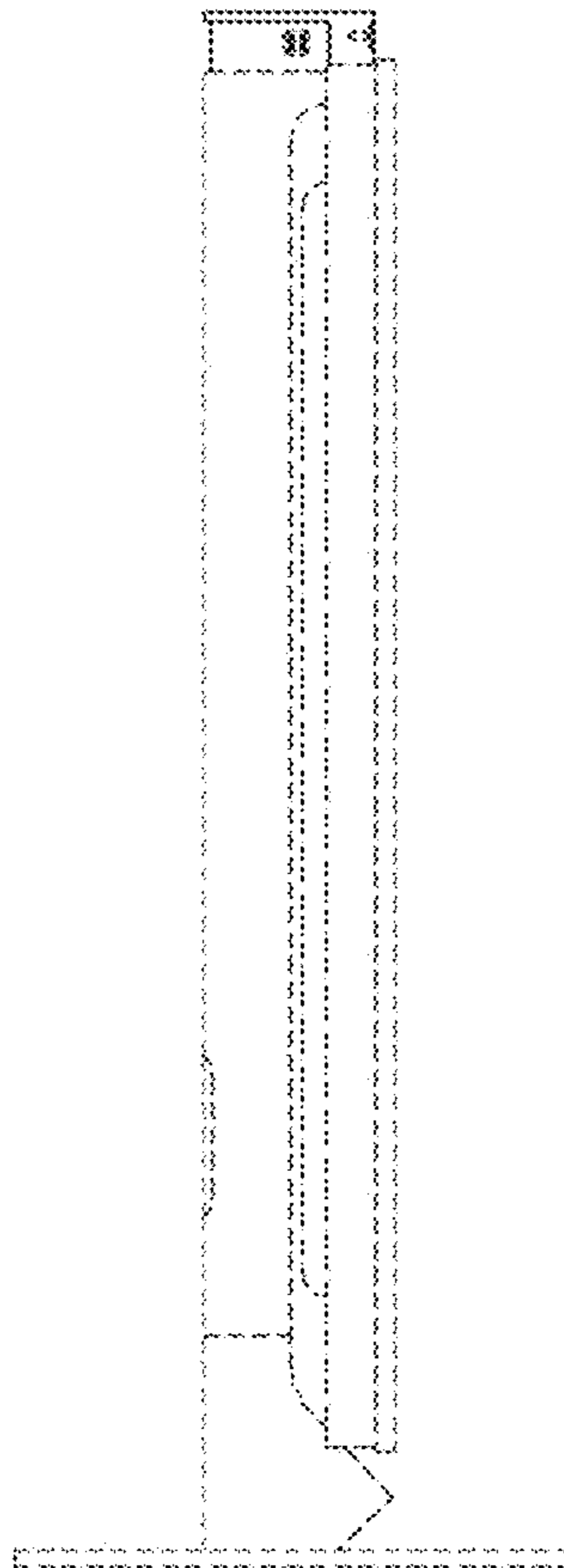


FIG. 5

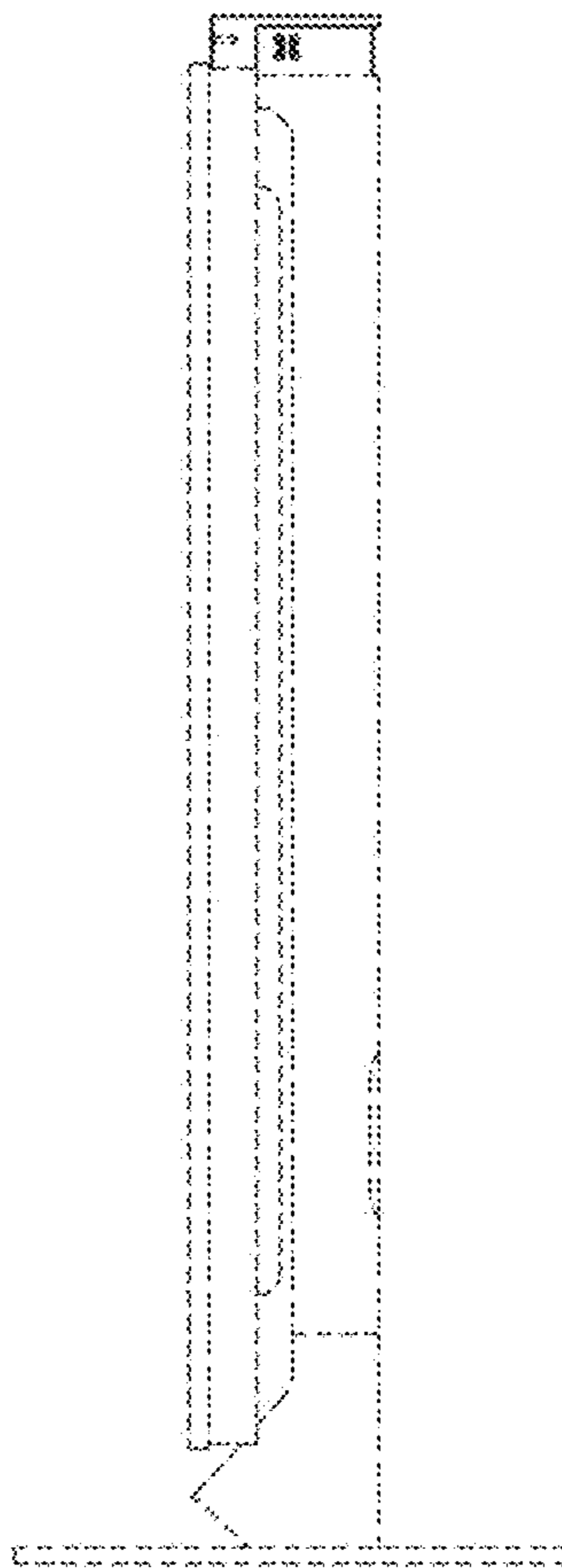


FIG. 6

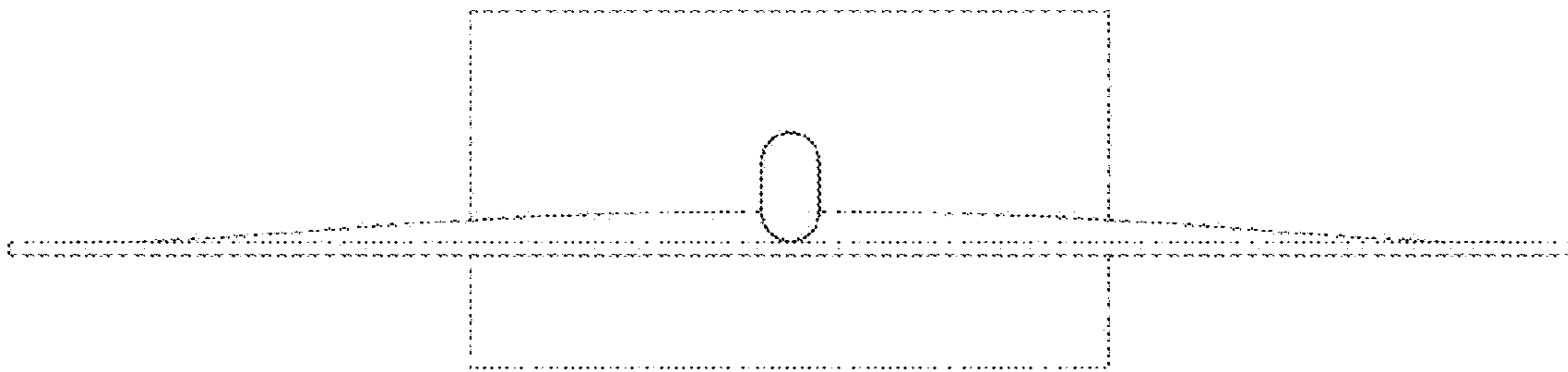


FIG. 7



FIG. 8

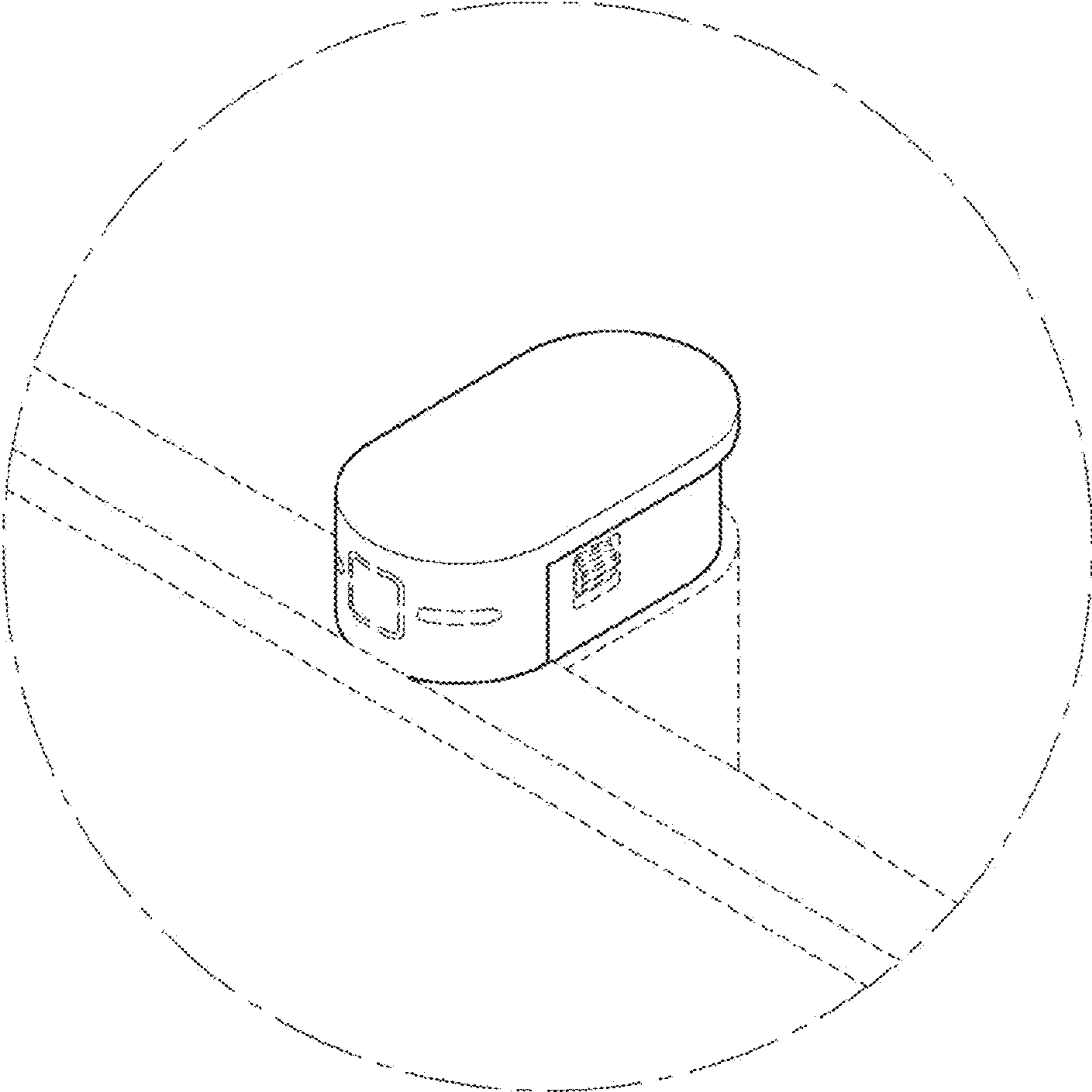


FIG. 9

