



US00D714744S

(12) **United States Design Patent**
Hsing Chen et al.

(10) **Patent No.:** **US D714,744 S**
(45) **Date of Patent:** **** Oct. 7, 2014**

(54) **LIGHT EMITTING DIODE MODULE**

(71) Applicant: **Prolight Opto Technology Corporation**, Taoyuan Hsien (TW)

(72) Inventors: **Chen-Lun Hsing Chen**, Taoyuan Hsien (TW); **Jung-Hao Hung**, Taoyuan Hsien (TW); **Meng-Ting Hsieh**, Taoyuan Hsien (TW)

(73) Assignee: **Prolight Opto Technology Corporation**, TaoYuan County (TW)

(**) Term: **14 Years**

(21) Appl. No.: **29/471,126**

(22) Filed: **Oct. 29, 2013**

(51) **LOC (10) Cl.** **13-03**

(52) **U.S. Cl.**
USPC **D13/180**

(58) **Field of Classification Search**
USPC D13/180; D26/1; 257/79, 80, 81, 88, 257/89, 95, 98, 99, 100, E33.058; 313/483, 313/498, 500; 362/555, 800
See application file for complete search history.

(56) **References Cited**

U.S. PATENT DOCUMENTS

D522,974 S * 6/2006 Egawa D13/180
D529,203 S * 9/2006 Nagai D26/1
7,101,061 B2 * 9/2006 Nagai et al. 362/294
D565,757 S * 4/2008 Matsui et al. D26/24

D573,553 S * 7/2008 Uemoto et al. D13/180
D573,731 S * 7/2008 Uemoto et al. D26/24
D575,245 S * 8/2008 Yen D13/180
D576,576 S * 9/2008 Shida et al. D13/180
D611,436 S * 3/2010 Ho D13/180
7,784,970 B2 * 8/2010 Sun 362/294
D625,694 S * 10/2010 Morikawa et al. D13/180
D636,899 S * 4/2011 Shibahara D26/1
D665,519 S * 8/2012 Oyaizu D26/1
D687,789 S * 8/2013 Zhou D13/180
2003/0189829 A1 * 10/2003 Shimizu et al. 362/240
2006/0087843 A1 * 4/2006 Setomoto et al. 362/249

* cited by examiner

Primary Examiner — Selina Sikder

(74) *Attorney, Agent, or Firm* — CKC & Partners Co., Ltd.

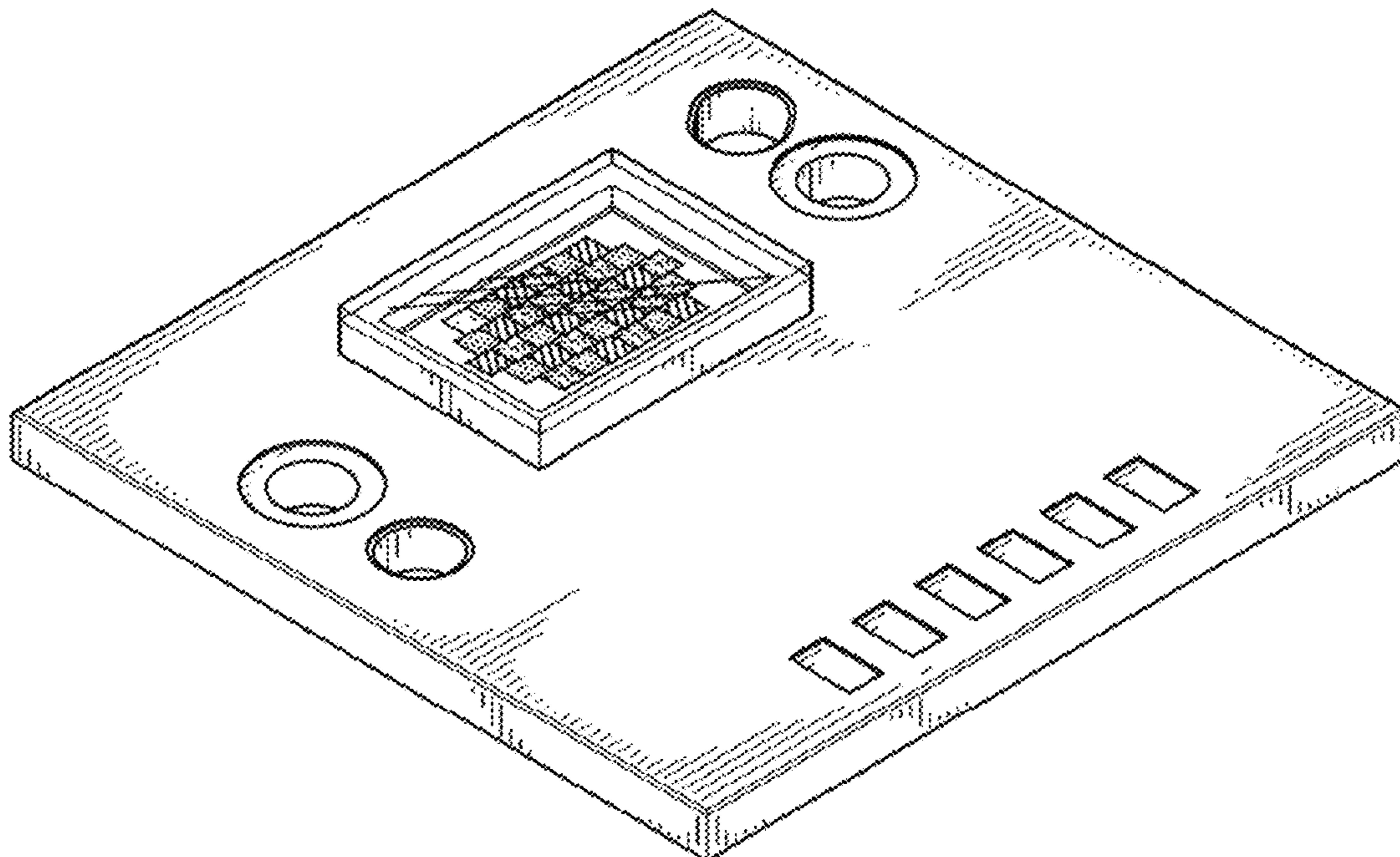
(57) **CLAIM**

The ornamental design for a light emitting diode module, as shown.

DESCRIPTION

FIG. 1 is a perspective view of a light emitting diode module showing my new design;
FIG. 2 is a front view thereof;
FIG. 3 is a rear view thereof;
FIG. 4 is a left side view thereof; and,
FIG. 5 is a top view thereof.
A right side view is symmetry to the left side view, and a bottom view is symmetry to the top view, thus the right side view and the bottom view are omitted.

1 Claim, 3 Drawing Sheets



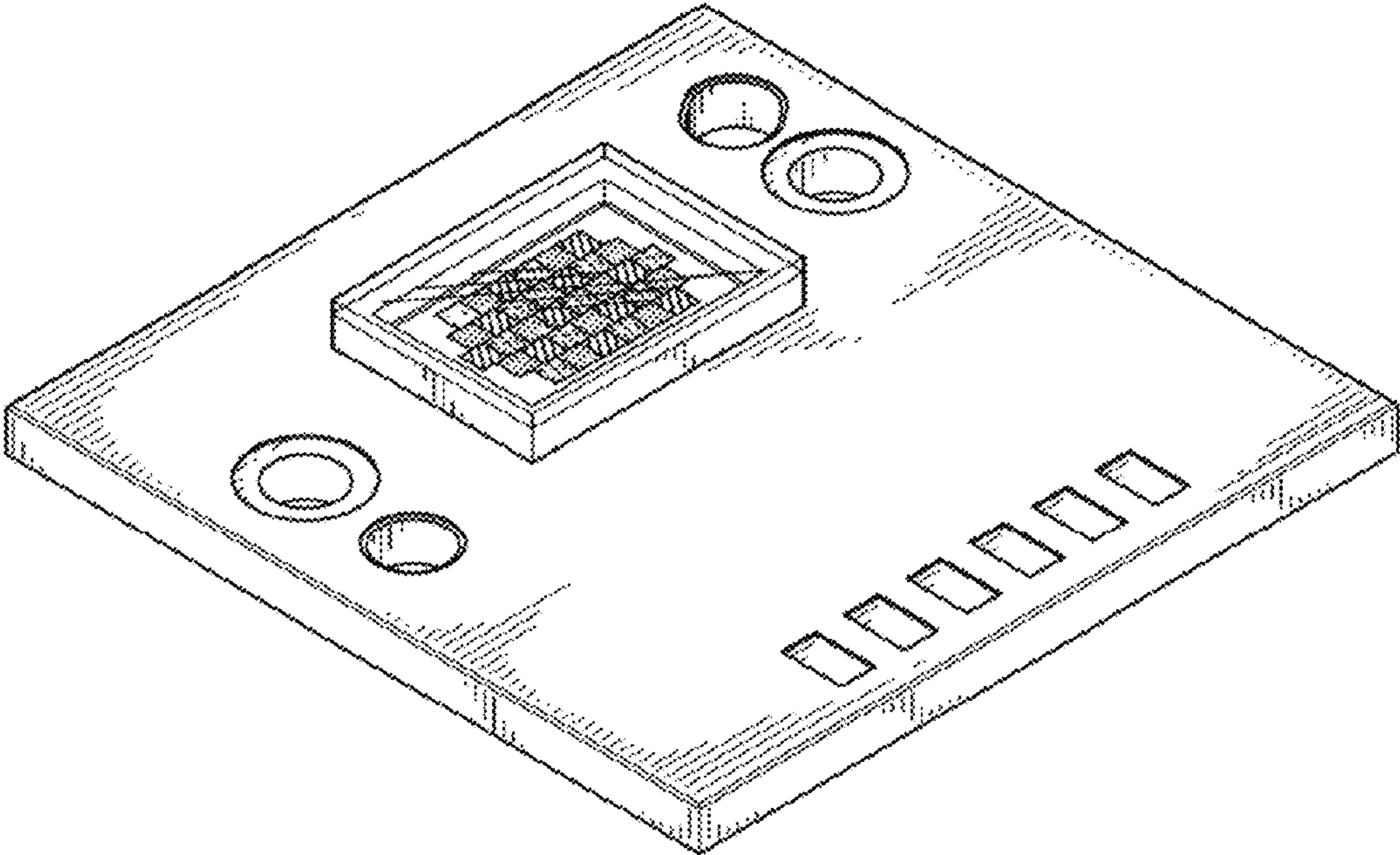


Fig. 1

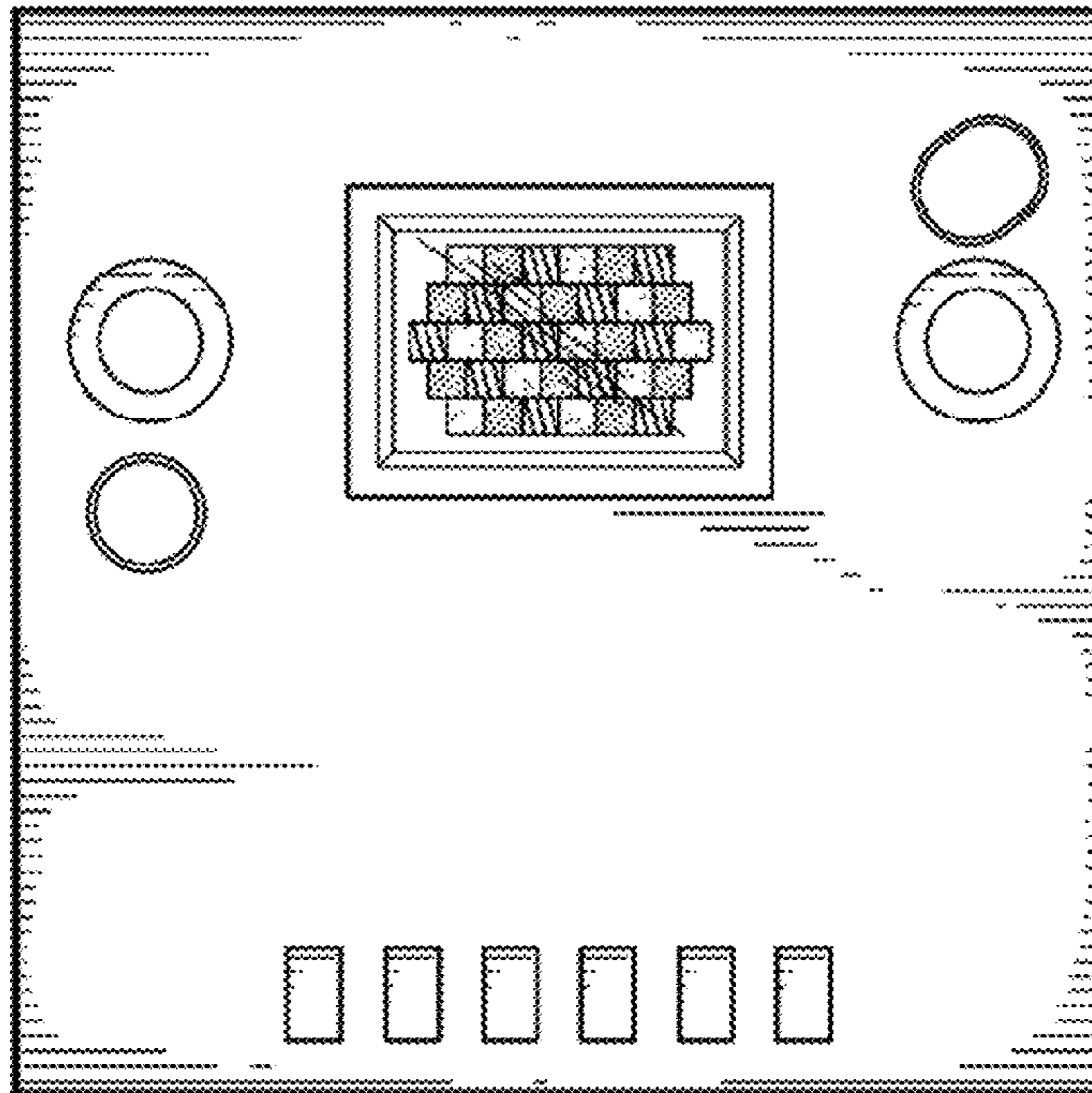


Fig. 2

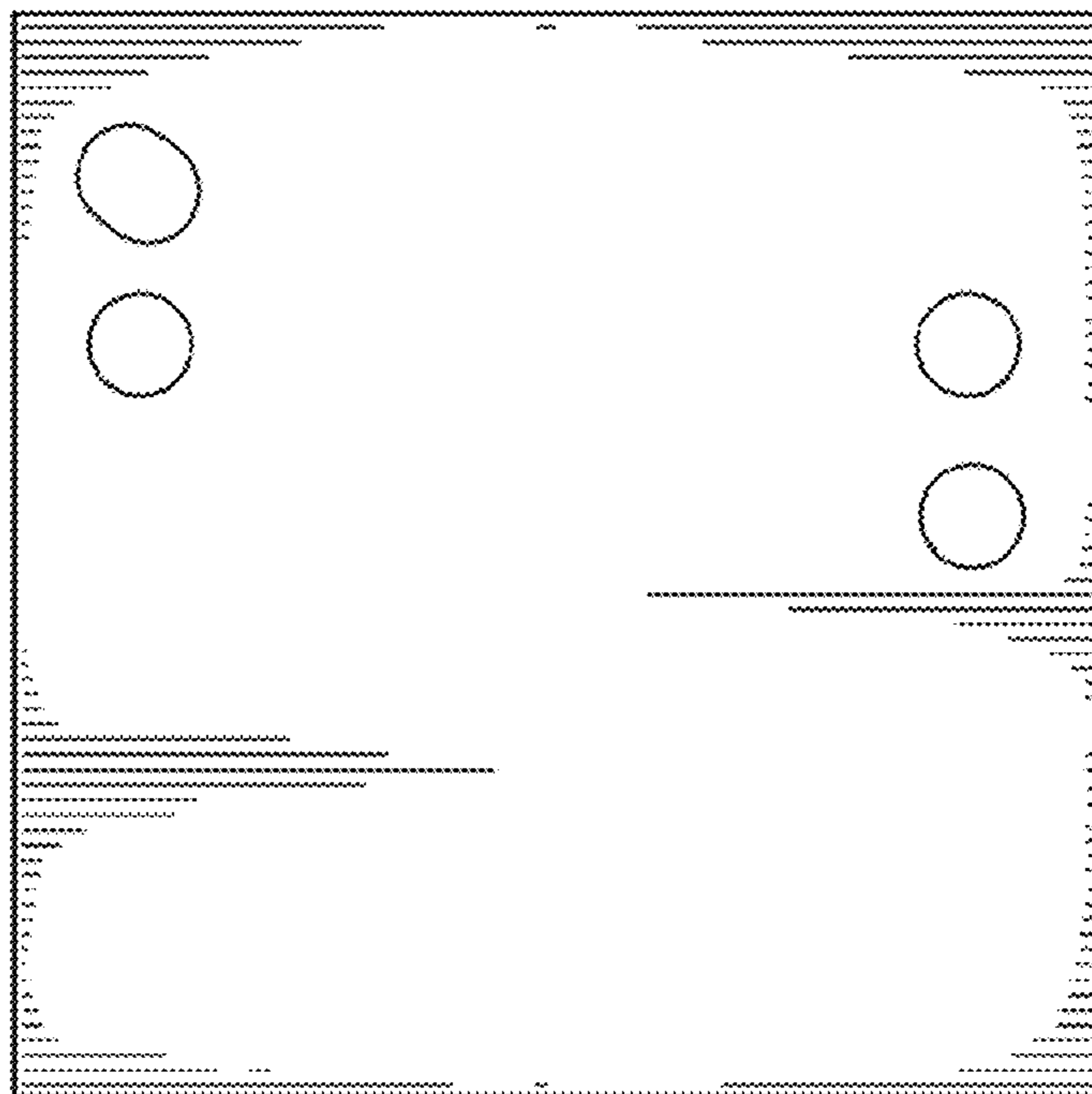


Fig. 3



Fig. 4

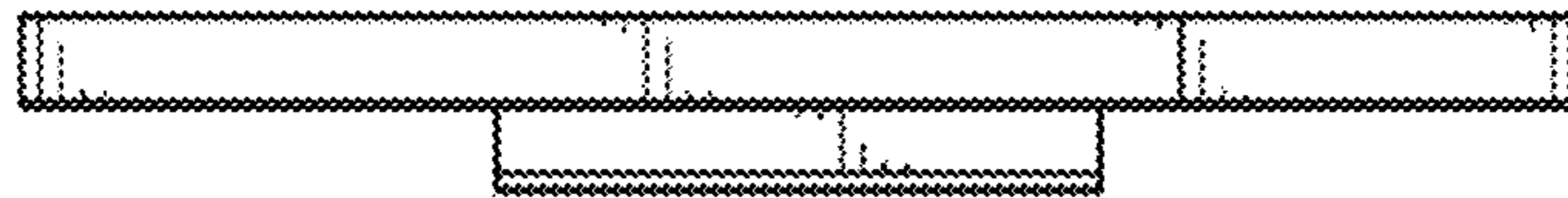


Fig. 5