



US00D714743S

(12) **United States Design Patent**
Chambers et al.

(10) **Patent No.:** **US D714,743 S**

(45) **Date of Patent:** **** Oct. 7, 2014**

(54) **BUTTON FOR A WINDOW TREATMENT CONTROL**

(71) Applicant: **Lutron Electronics Co., Inc.**,
Coopersburg, PA (US)

(72) Inventors: **Samuel F. Chambers**, Gwynedd Valley,
PA (US); **Elliot G. Jacoby**, Glenside, PA
(US); **Jason C. Killo**, Emmaus, PA (US);
Brad Michael Kreschollek, Bethlehem,
PA (US); **Stephen Lundy**, Coopersburg,
PA (US); **John A. Mensinger**, Drums,
PA (US)

(73) Assignee: **Lutron Electronics Co., Inc.**,
Coopersburg, PA (US)

(**) Term: **14 Years**

(21) Appl. No.: **29/467,523**

(22) Filed: **Sep. 20, 2013**

(51) **LOC (10) Cl.** **13-03**

(52) **U.S. Cl.**
USPC **D13/174**

(58) **Field of Classification Search**
USPC D13/162, 164, 171, 174; D14/489;
174/66; 200/5 R, 5 A, 302.2, 520, 530,
200/293, 296, 308, 310, 314, 329, 341;
220/241; 307/139, 157; 315/209 R,
315/224, 246, 291, 294, 295

See application file for complete search history.

(56) **References Cited**

U.S. PATENT DOCUMENTS

6,100,659 A * 8/2000 Will et al. 318/466
D453,742 S 2/2002 Butler et al.
D462,332 S 9/2002 Mayo et al.
D465,460 S 11/2002 Mayo et al.
D465,770 S * 11/2002 Bennett et al. D13/164

D466,090 S * 11/2002 Bennett et al. D13/164
D466,484 S 12/2002 Bennett et al.
D490,780 S 6/2004 Mayo et al.
D516,041 S * 2/2006 Hobart et al. D13/164
D526,282 S * 8/2006 Chen D13/174
D527,711 S 9/2006 Spira et al.
7,135,650 B2 * 11/2006 Jung 200/314
D546,779 S 7/2007 Mierta et al.
D593,108 S * 5/2009 Danton D14/485
D647,490 S 10/2011 Clymer et al.
D649,125 S 11/2011 Clymer et al.
D659,158 S 5/2012 Clymer
D664,933 S 8/2012 Clymer et al.
D674,355 S 1/2013 Clymer et al.

(Continued)

OTHER PUBLICATIONS

U.S. Appl. No. 29/449,148, filed Mar. 14, 2013, Clymer et al.

(Continued)

Primary Examiner — Selina Sikder

(74) *Attorney, Agent, or Firm* — Mark E. Rose; Philip N. Smith; Bridget L. McDonough

(57) **CLAIM**

We claim the ornamental design for a button for a window treatment control, as shown and described.

DESCRIPTION

FIG. 1 is a perspective view of a button for a window treatment control according to our new design.

FIG. 2 is a front view thereof.

FIG. 3 is a left side view thereof.

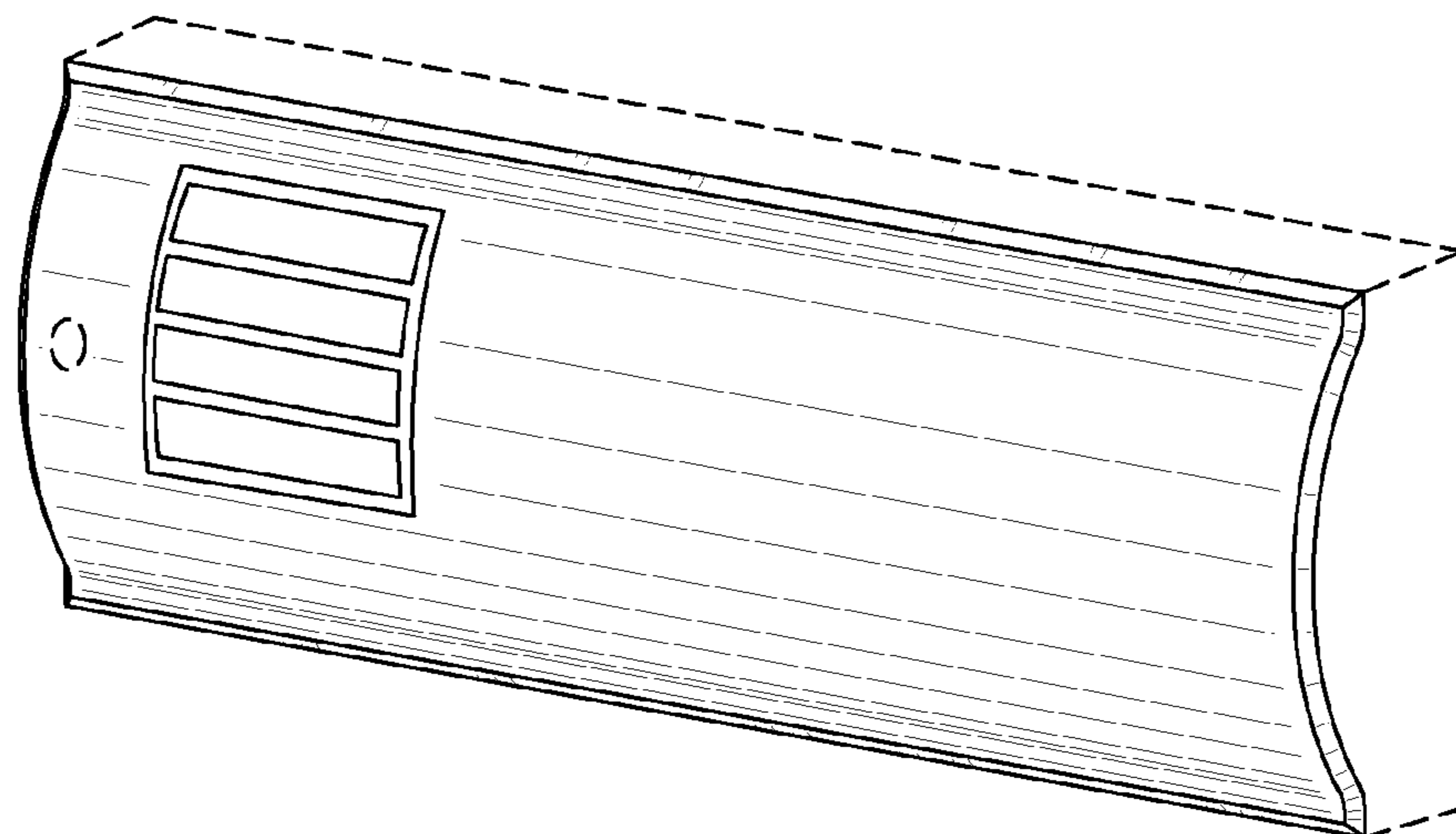
FIG. 4 is a right side view thereof.

FIG. 5 is a top view thereof; and,

FIG. 6 is a bottom view thereof.

The rear view forms no part of the design and is omitted. The portions of the drawings appearing in broken line are for environment only and do not form a part of the claimed design.

1 Claim, 3 Drawing Sheets



(56)

References Cited

OTHER PUBLICATIONS

U.S. PATENT DOCUMENTS

8,380,359 B2 2/2013 Duchene et al.
8,404,985 B2 * 3/2013 Kim et al. 200/296
8,426,756 B2 * 4/2013 Yang et al. 200/343
D688,216 S 8/2013 Clymer et al.
8,546,714 B2 * 10/2013 Zhang et al. 200/344
8,633,411 B2 * 1/2014 Chen 200/341
2005/0224329 A1 * 10/2005 Milo 200/341
2006/0019053 A1 1/2006 Jacoby et al.
2009/0293325 A1 * 12/2009 Gebler et al. 40/6
2010/0314226 A1 * 12/2010 Patel et al. 200/237
2011/0266122 A1 11/2011 Zaharchuk et al.
2013/0292235 A1 * 11/2013 Baum et al. 200/302.2

U.S. Appl. No. 29/449,151, filed Mar. 14, 2013, Clymer et al.
U.S. Appl. No. 29/467,520, filed Sep. 20, 2013, Chambers et al.
U.S. Appl. No. 29/467,521, filed Sep. 20, 2013, Chambers et al.
U.S. Appl. No. 29/467,524, filed Sep. 20, 2013, Chambers et al.
U.S. Appl. No. 29/467,527, filed Sep. 20, 2013, Chambers et al.
U.S. Appl. No. 29/467,531, filed Sep. 20, 2013, Chambers et al.
U.S. Appl. No. 29/467,536, filed Sep. 20, 2013, Chambers et al.
U.S. Appl. No. 29/467,537, filed Sep. 20, 2013, Chambers et al.
U.S. Appl. No. 29/467,540, filed Sep. 20, 2013, Chambers et al.

* cited by examiner

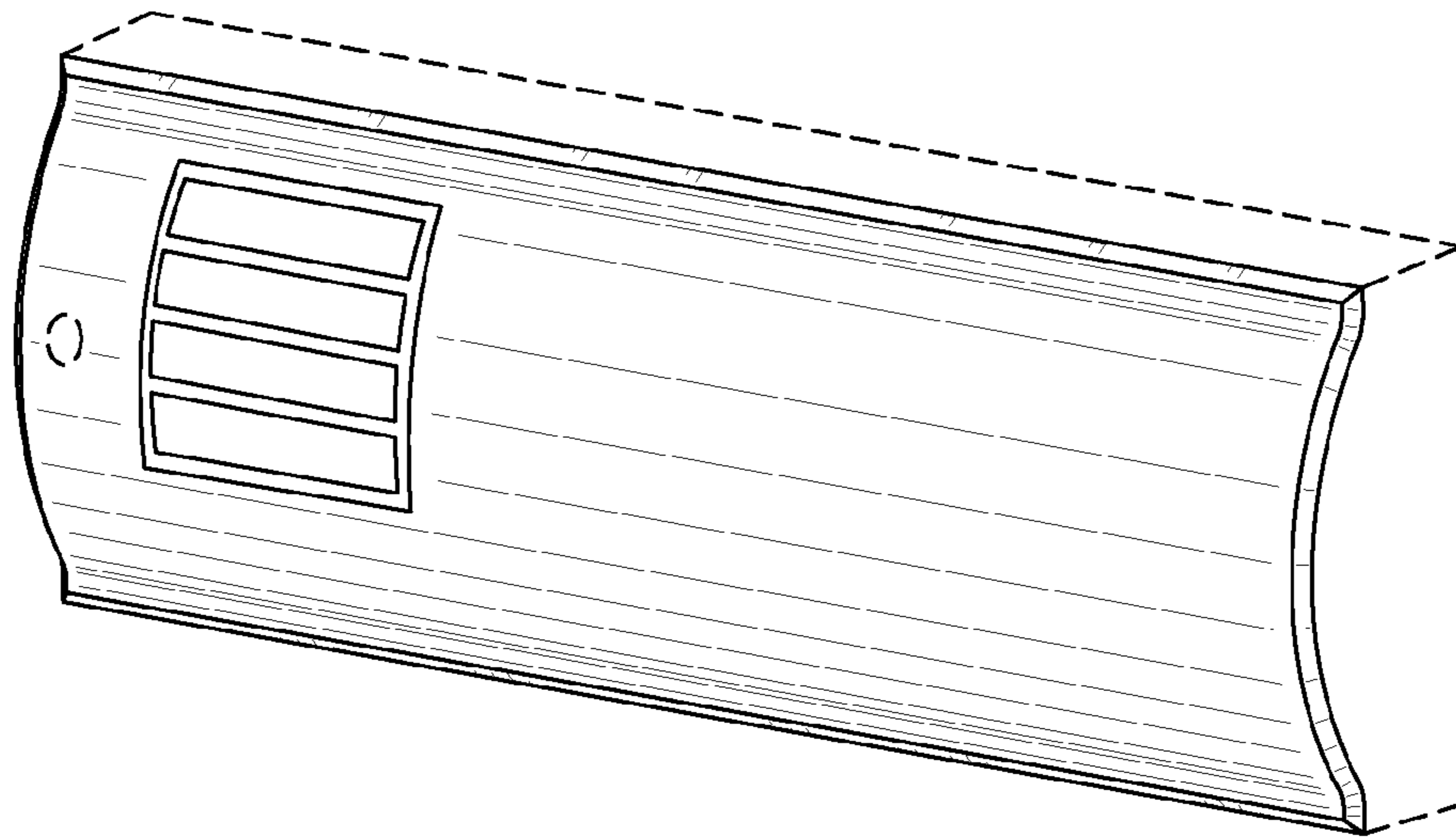


Fig. 1

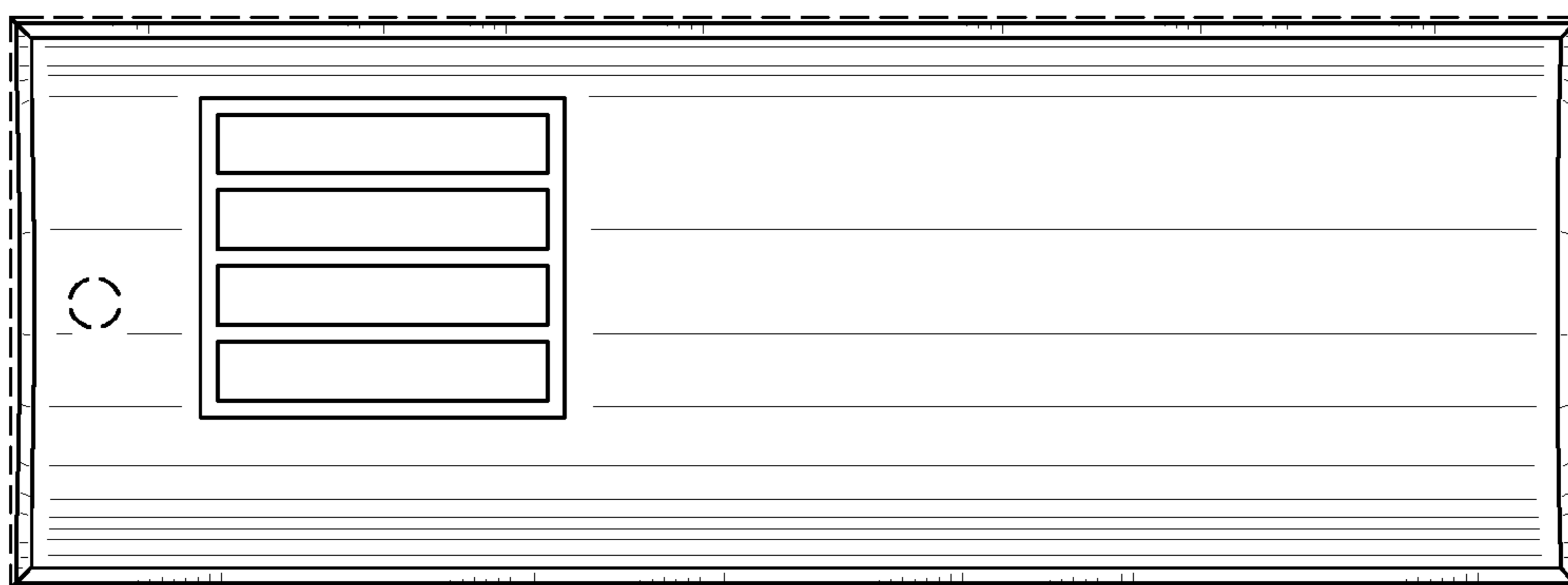


Fig. 2

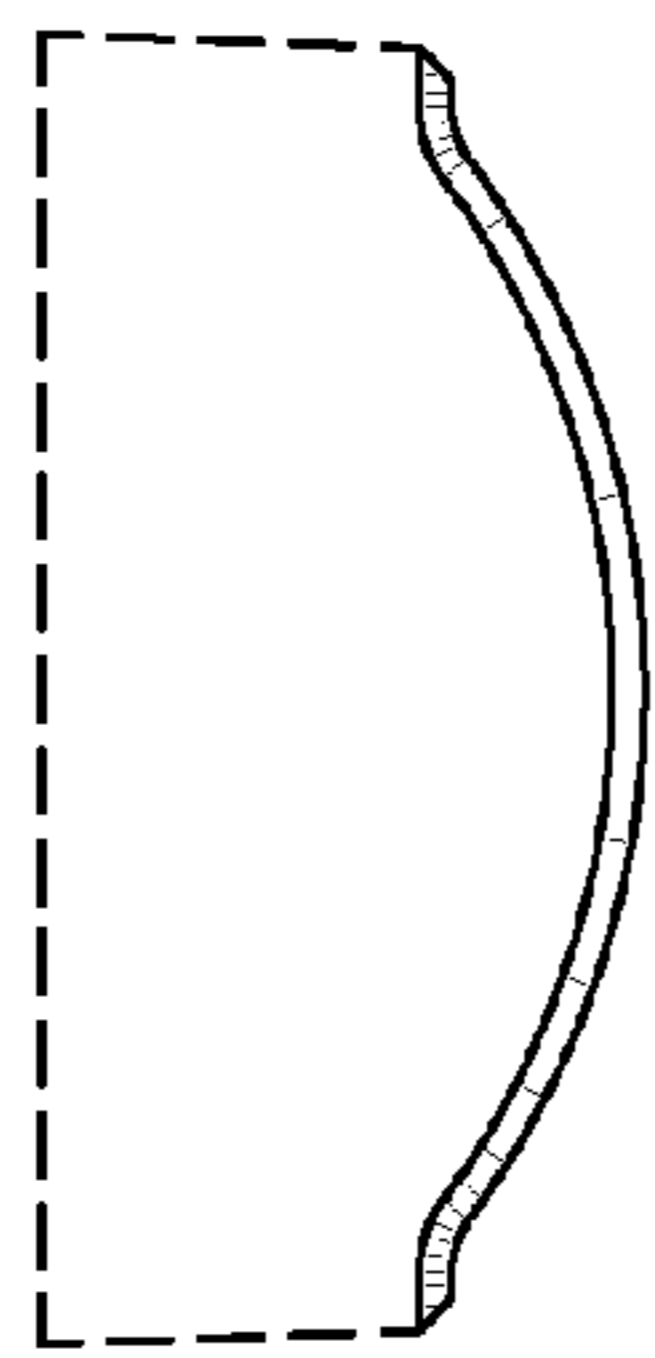


Fig. 3

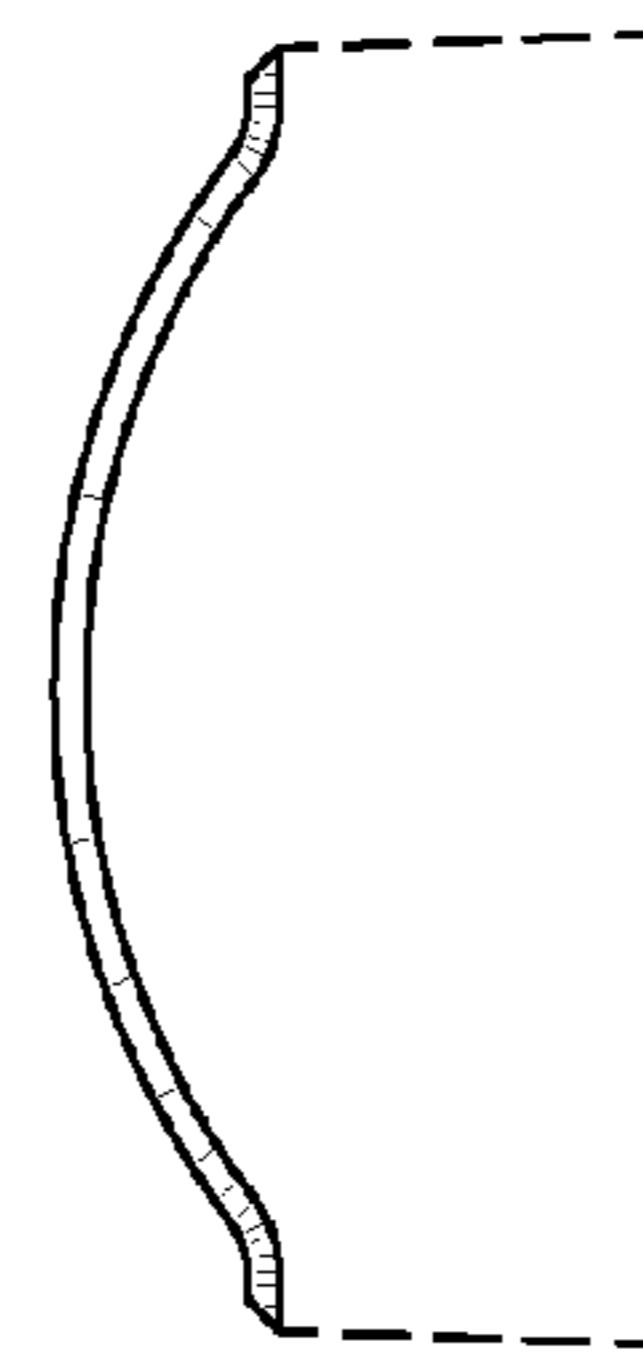


Fig. 4

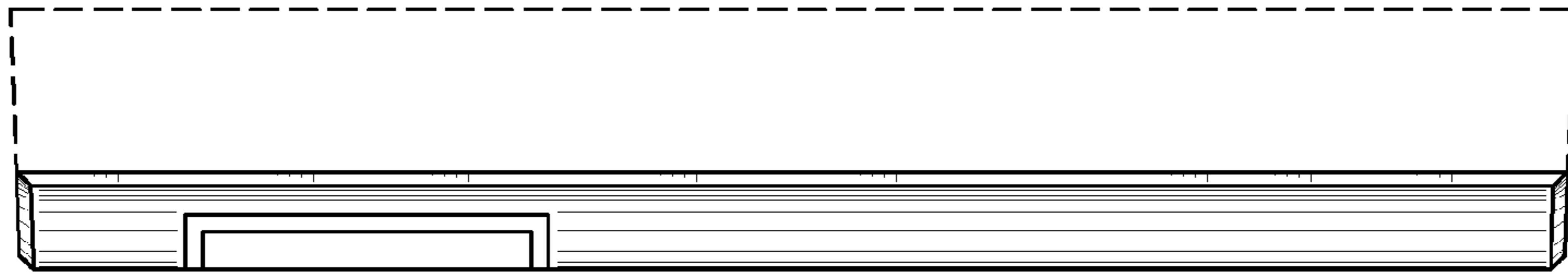


Fig. 5

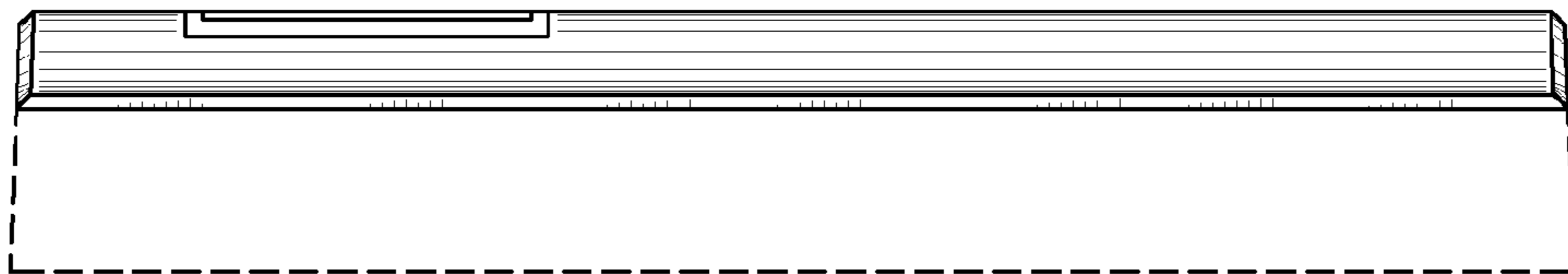


Fig. 6