



US00D714741S

(12) **United States Design Patent**
O'Donnell

(10) **Patent No.:** **US D714,741 S**

(45) **Date of Patent:** **** Oct. 7, 2014**

(54) **BUTTONS FOR A LOAD CONTROL DEVICE**

(71) Applicant: **Lutron Electronics Co., Inc.**,
Coopersburg, PA (US)

(72) Inventor: **Brian R. O'Donnell**, Alburtis, PA (US)

(73) Assignee: **Lutron Electronics Co., Inc.**,
Coopersburg, PA (US)

(**) Term: **14 Years**

(21) Appl. No.: **29/462,322**

(22) Filed: **Aug. 1, 2013**

(51) **LOC (10) Cl.** **13-03**

(52) **U.S. Cl.**

USPC **D13/174**

(58) **Field of Classification Search**

USPC D13/162, 164, 171, 174; 174/66;
200/5 R, 5 A, 302.2, 520, 530, 293, 296,
200/308, 310, 314, 329, 341; 220/241;
307/139, 157; 315/209 R, 224, 246,
315/291, 294, 295

See application file for complete search history.

(56) **References Cited**

U.S. PATENT DOCUMENTS

D412,491 S	8/1999	Mayo et al.	
D436,930 S	1/2001	Butler	
D453,742 S	2/2002	Butler et al.	
D456,783 S	5/2002	Mayo et al.	
D461,782 S	8/2002	Butler et al.	
D465,460 S	11/2002	Mayo et al.	
D546,776 S	7/2007	Miarta et al.	
D547,273 S	7/2007	Miarta et al.	
D556,156 S *	11/2007	Teiber et al.	D13/174
D558,277 S *	12/2007	Luciano et al.	D21/385
D583,778 S *	12/2008	Ohlert et al.	D13/174
D584,244 S *	1/2009	Ohlert et al.	D13/174

D626,093 S *	10/2010	Bates	D13/174
D638,375 S	5/2011	Clymer et al.	
D647,490 S *	10/2011	Clymer et al.	D13/174
D649,520 S *	11/2011	Jacoby et al.	D13/174
8,106,325 B2 *	1/2012	Laurent et al.	200/600
8,164,030 B2 *	4/2012	Isoda et al.	219/489
D664,933 S *	8/2012	Clymer et al.	D13/174
2006/0019053 A1	1/2006	Jacoby et al.	

FOREIGN PATENT DOCUMENTS

CA 123790 S 6/2009

OTHER PUBLICATIONS

U.S. Appl. No. 29/462,309, filed Aug. 1, 2013, Brian R. O'Donnell.
U.S. Appl. No. 29/462,315, filed Aug. 1, 2013, Brian R. O'Donnell.

(Continued)

Primary Examiner — Selina Sikder

(74) *Attorney, Agent, or Firm* — Mark E. Rose; Philip N. Smith; Bridget L. McDonough

(57) **CLAIM**

I claim the ornamental design for buttons for a load control device, as shown and described.

DESCRIPTION

FIG. 1 is a perspective view of buttons for a load control device according to a first embodiment of my new design.

FIG. 2 is a front view thereof.

FIG. 3 is a left side view thereof.

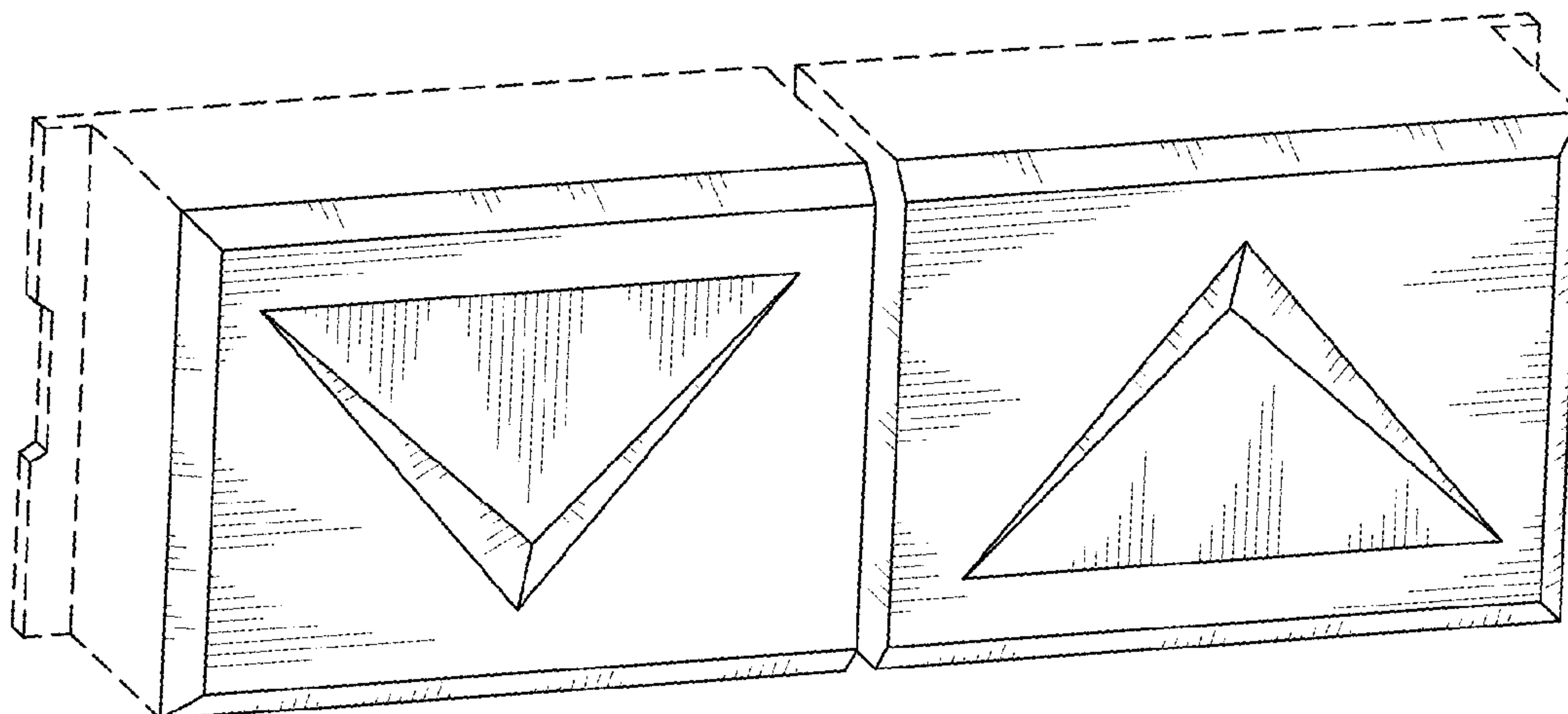
FIG. 4 is a right side view thereof.

FIG. 5 is a top view thereof; and,

FIG. 6 is a bottom view thereof.

The rear views form no part of the design and are omitted. The portions of the drawings appearing in broken line are for environment only and do not form a part of the claimed design.

1 Claim, 4 Drawing Sheets



(56)

References Cited

OTHER PUBLICATIONS

U.S. Appl. No. 29/462,319, filed Aug. 1, 2013, Brian R. O'Donnell.
Lutron Electronics Co., Inc., Stanza Hotel Guestroom Light Control
Brochure, Feb. 20, 2008, 12 pages.

Lightolier, Specification Sheet for iGen DALI 4-Button Scene Controller Model No. DA-WS4SS-7, 2007, 2 pages.

Vantage Controls Inc., Vantage Online Binder, 2004, pp. 1, 3-4, 7, 33-34, 113.

* cited by examiner

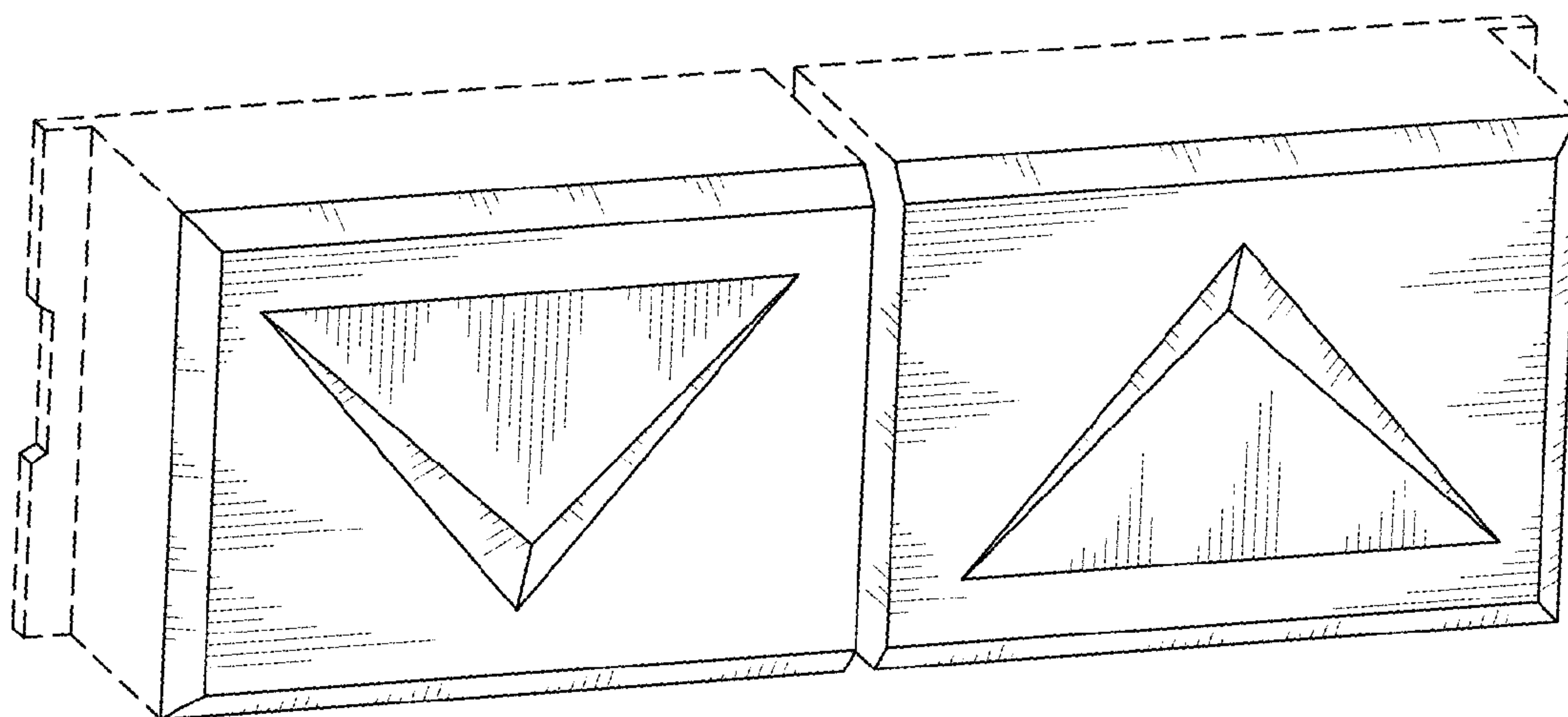


Fig. 1

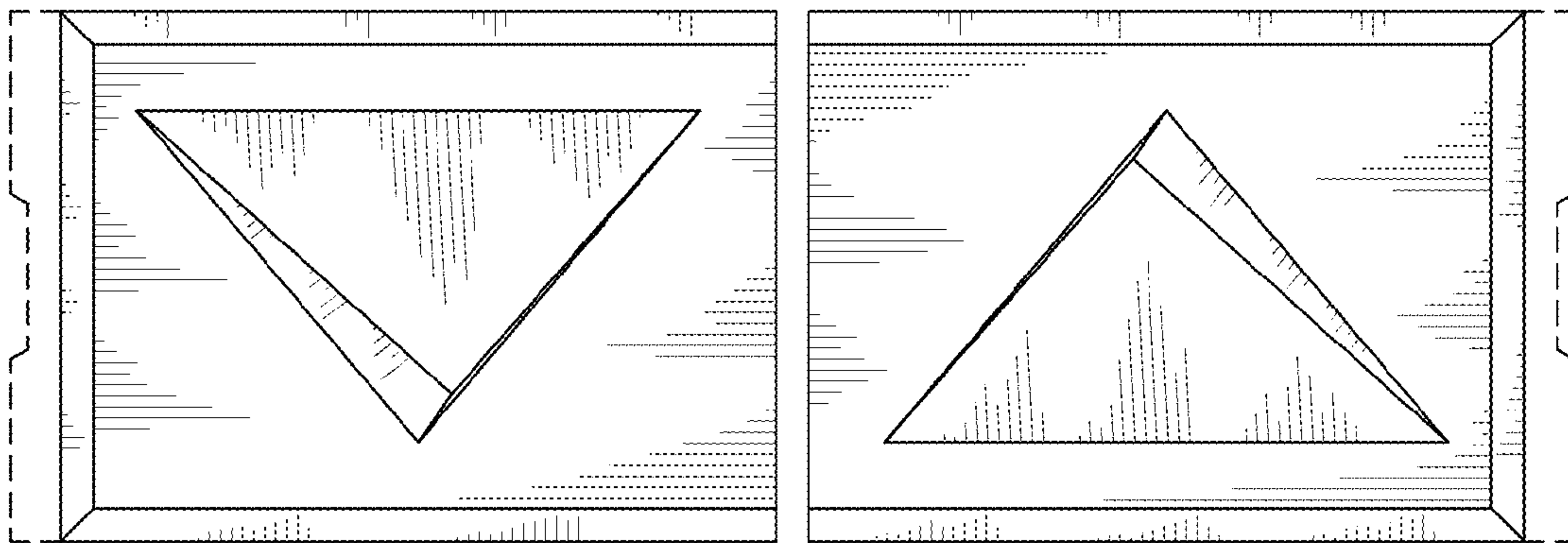


Fig. 2

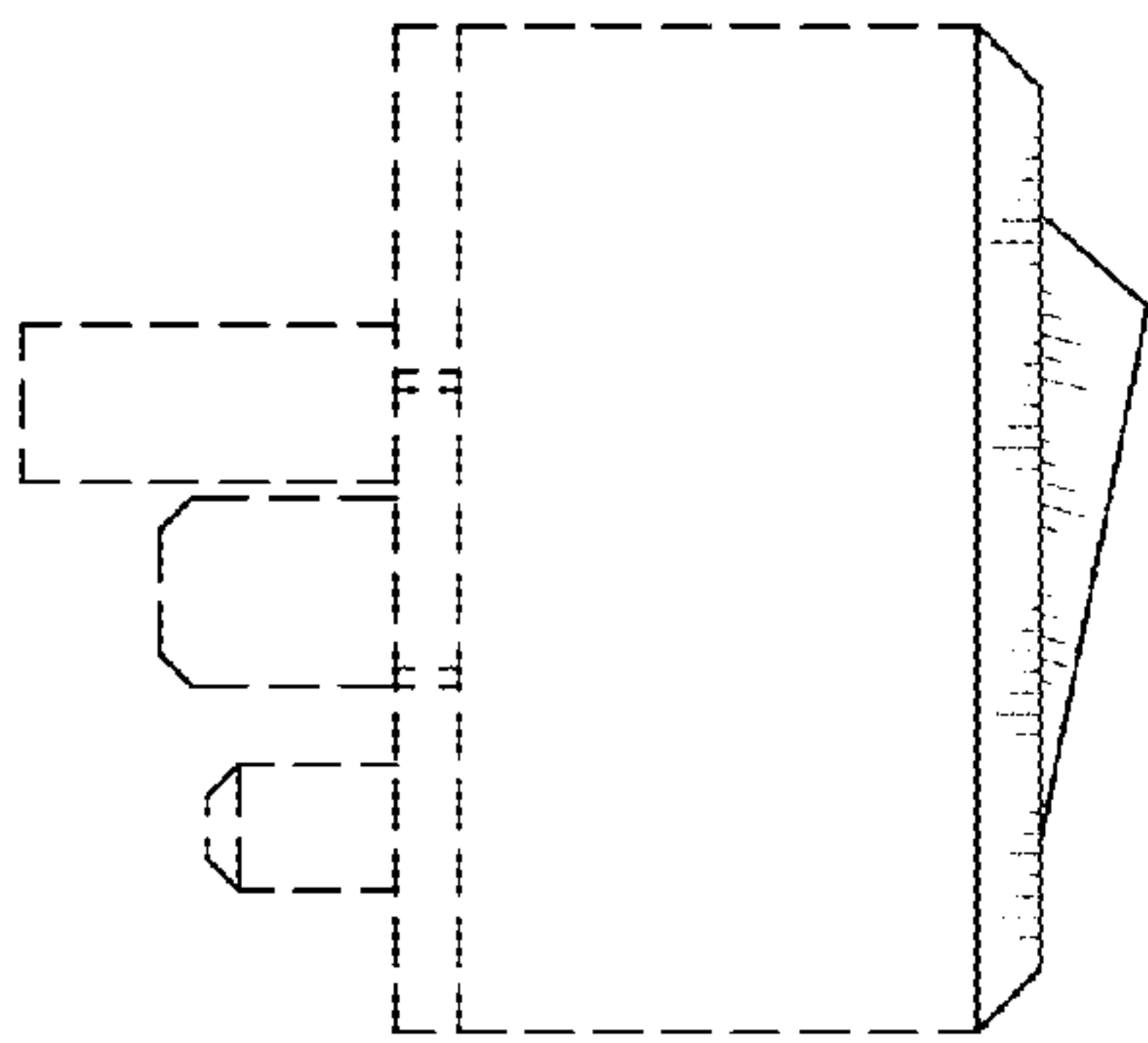


Fig. 3

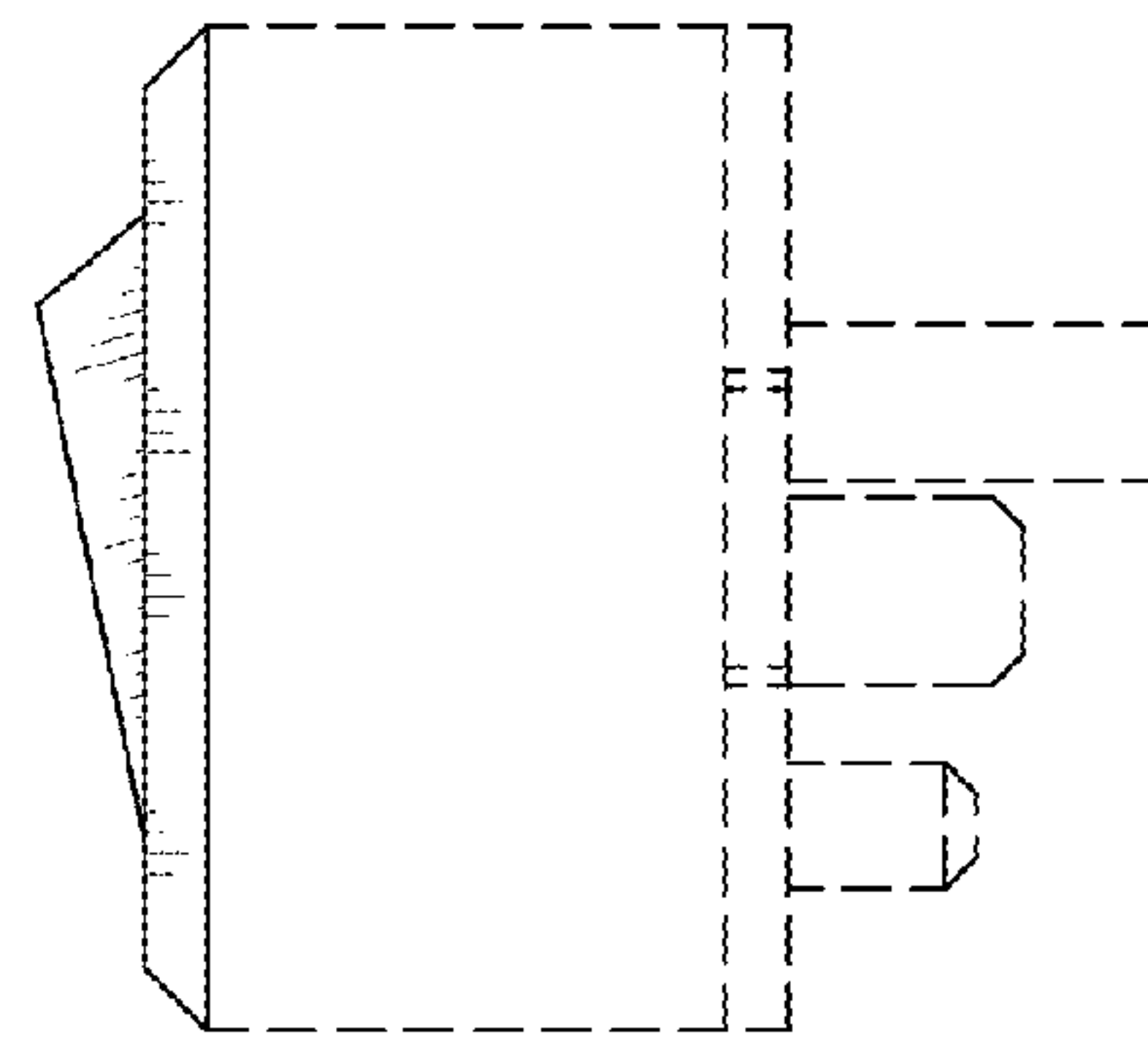


Fig. 4

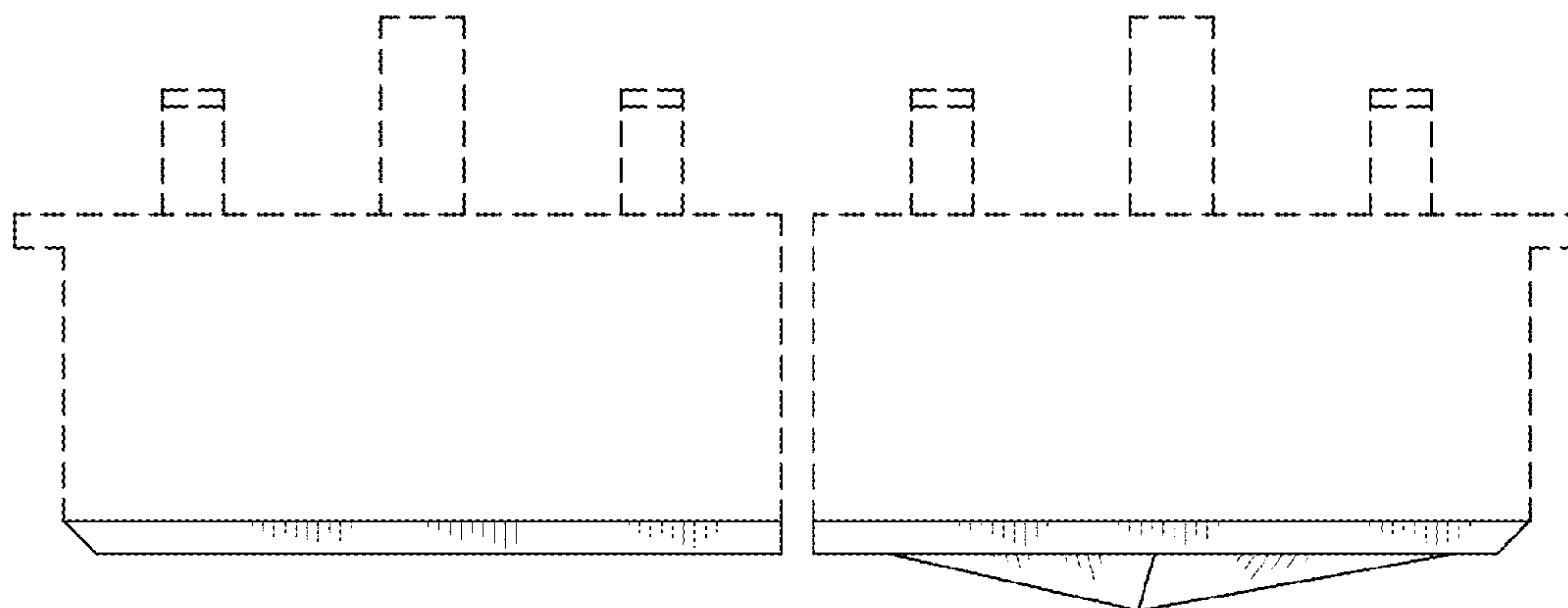


Fig. 5

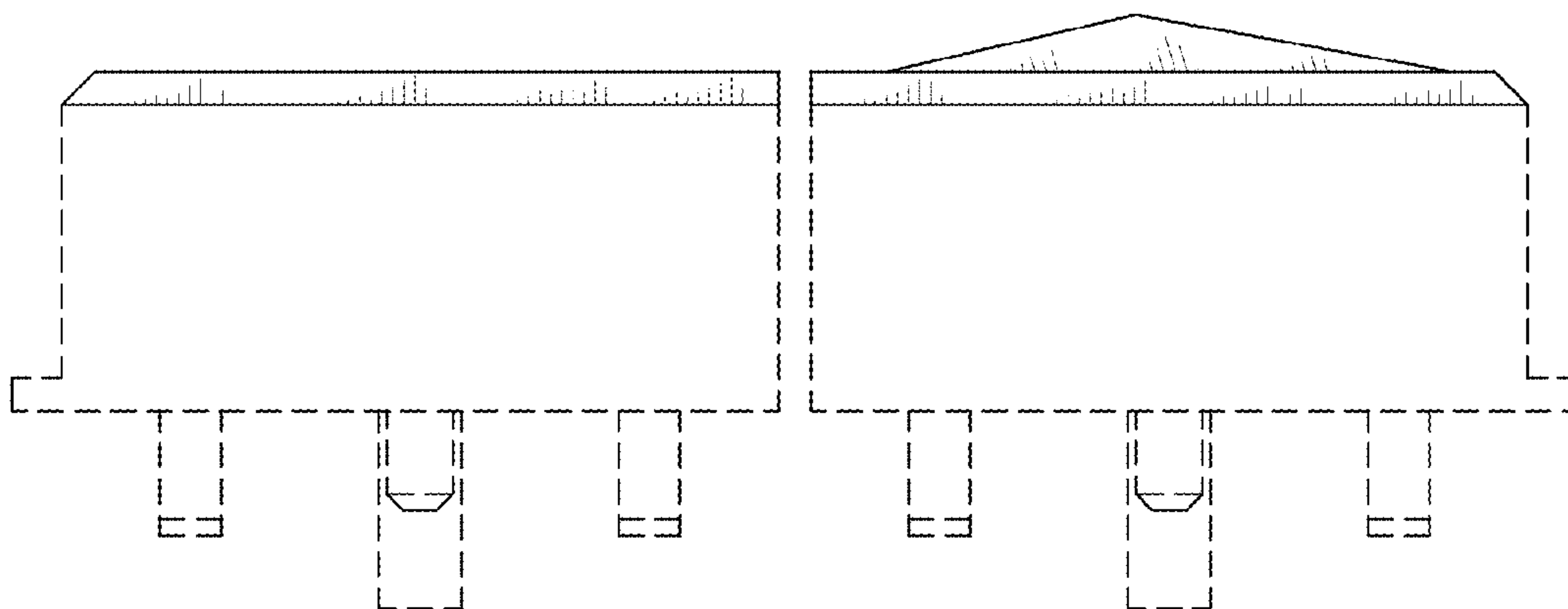


Fig. 6