



US00D714739S

(12) **United States Design Patent**  
**Rantala**

(10) **Patent No.:** **US D714,739 S**

(45) **Date of Patent:** **\*\* Oct. 7, 2014**

(54) **PENDANT CONTROL**

(71) Applicant: **Konecranes Plc**, Hyvinkää (FI)

(72) Inventor: **Kimmo Rantala**, Hyvinkää (FI)

(73) Assignee: **Konecranes Plc**, Hyvinkää (FI)

(\*\*) Term: **14 Years**

(21) Appl. No.: **29/466,377**

(22) Filed: **Sep. 6, 2013**

(51) **LOC (10) Cl.** ..... **14-03**

(52) **U.S. Cl.**

USPC ..... **D13/168**

(58) **Field of Classification Search**

USPC ..... D13/168; 200/5 E, 61.85, 298, 314, 341  
See application file for complete search history.

(56) **References Cited**

**U.S. PATENT DOCUMENTS**

D263,299	S *	3/1982	Jacobs	.....	D13/168
D270,441	S *	9/1983	Moldenhauer	.....	D13/168
4,520,247	A *	5/1985	Pancook et al.	.....	200/298
4,849,587	A *	7/1989	Bacon	.....	200/61.85
6,057,521	A *	5/2000	Krebs et al.	.....	200/298
6,525,282	B2 *	2/2003	Krebs et al.	.....	200/298
D552,562	S *	10/2007	Yamamoto et al.	.....	D13/168
7,501,597	B2 *	3/2009	Voltz et al.	.....	200/298

D607,847	S *	1/2010	Elliott et al.	.....	D13/168
D662,478	S *	6/2012	Rantala et al.	.....	D13/168
D667,380	S *	9/2012	Ishikawa et al.	.....	D13/168

\* cited by examiner

*Primary Examiner* — Selina Sikder

(74) *Attorney, Agent, or Firm* — Clinton H. Wilkinson;  
Charles A. Wilkinson

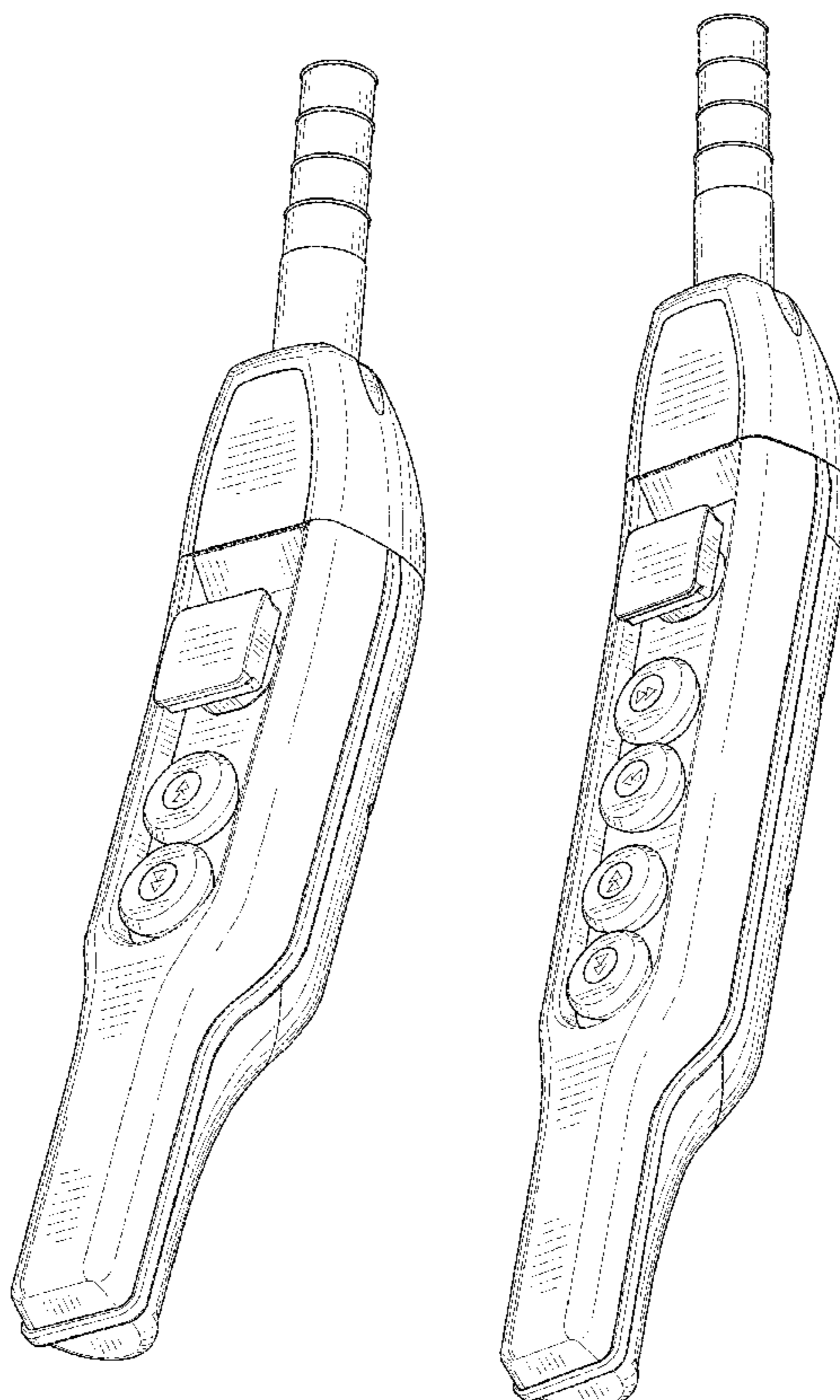
(57) **CLAIM**

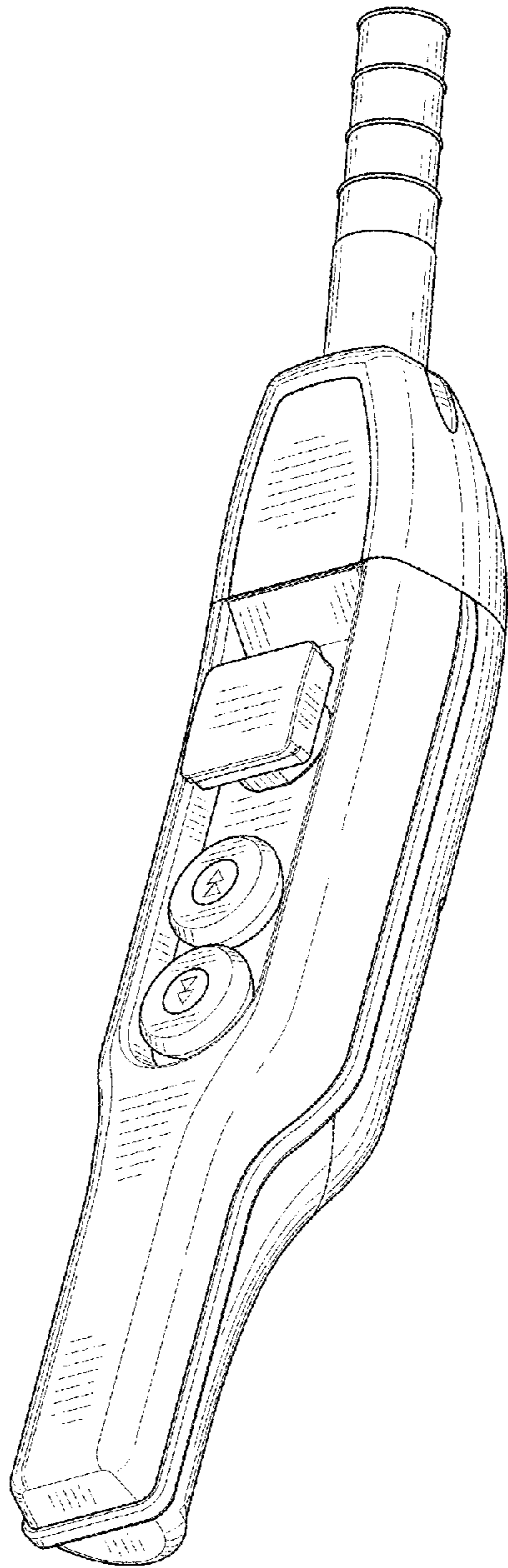
The ornamental design for a pendant control, as shown and described.

**DESCRIPTION**

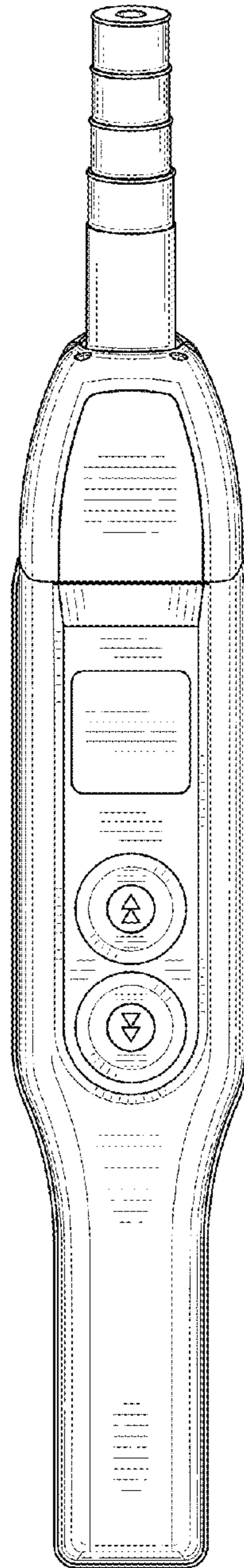
FIG. 1 is a perspective view of a pendant control showing my new design;  
 FIG. 2 is a front elevation view thereof;  
 FIG. 3 is a top view thereof;  
 FIG. 4 is a bottom view thereof;  
 FIG. 5 is a back elevation view thereof;  
 FIG. 6 is a left side elevation view thereof;  
 FIG. 7 is a right side elevation view thereof;  
 FIG. 8 is a perspective view of another embodiment of my pendant control;  
 FIG. 9 is a front elevation view thereof;  
 FIG. 10 is a top view thereof;  
 FIG. 11 is a bottom view thereof;  
 FIG. 12 is a back elevation view thereof;  
 FIG. 13 is a left side elevation view thereof; and,  
 FIG. 14 is a right side elevation view thereof.

**1 Claim, 4 Drawing Sheets**

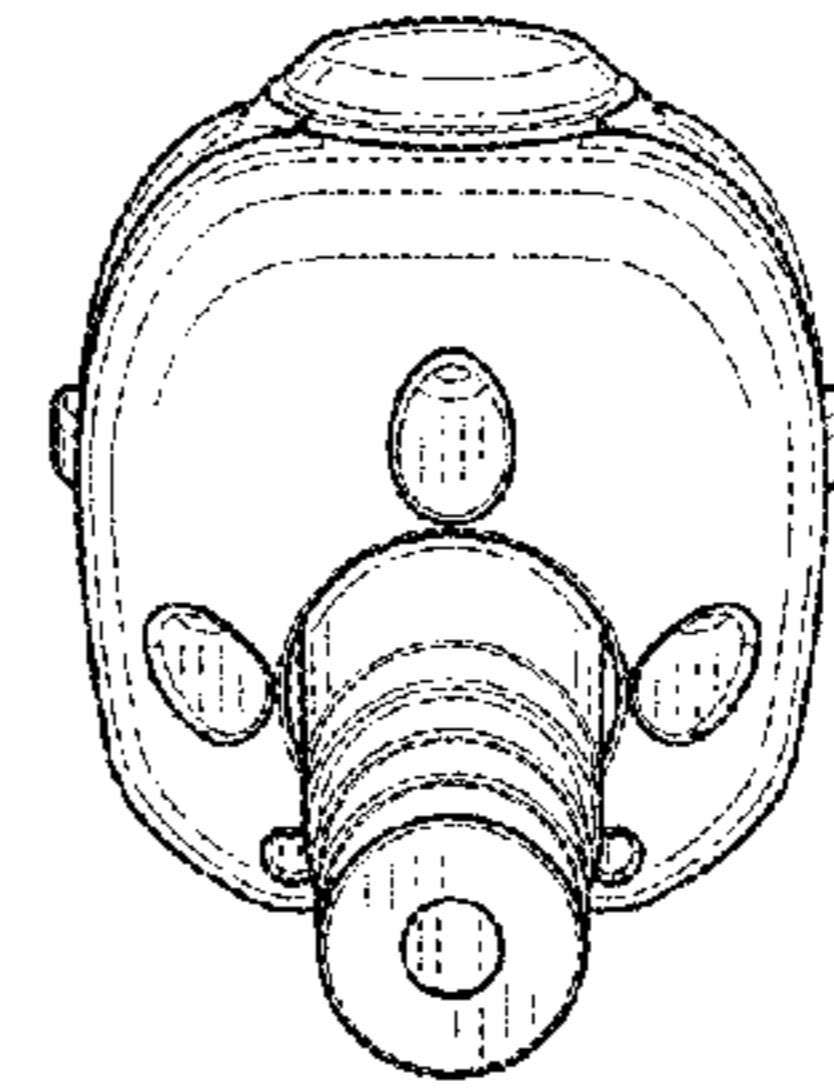




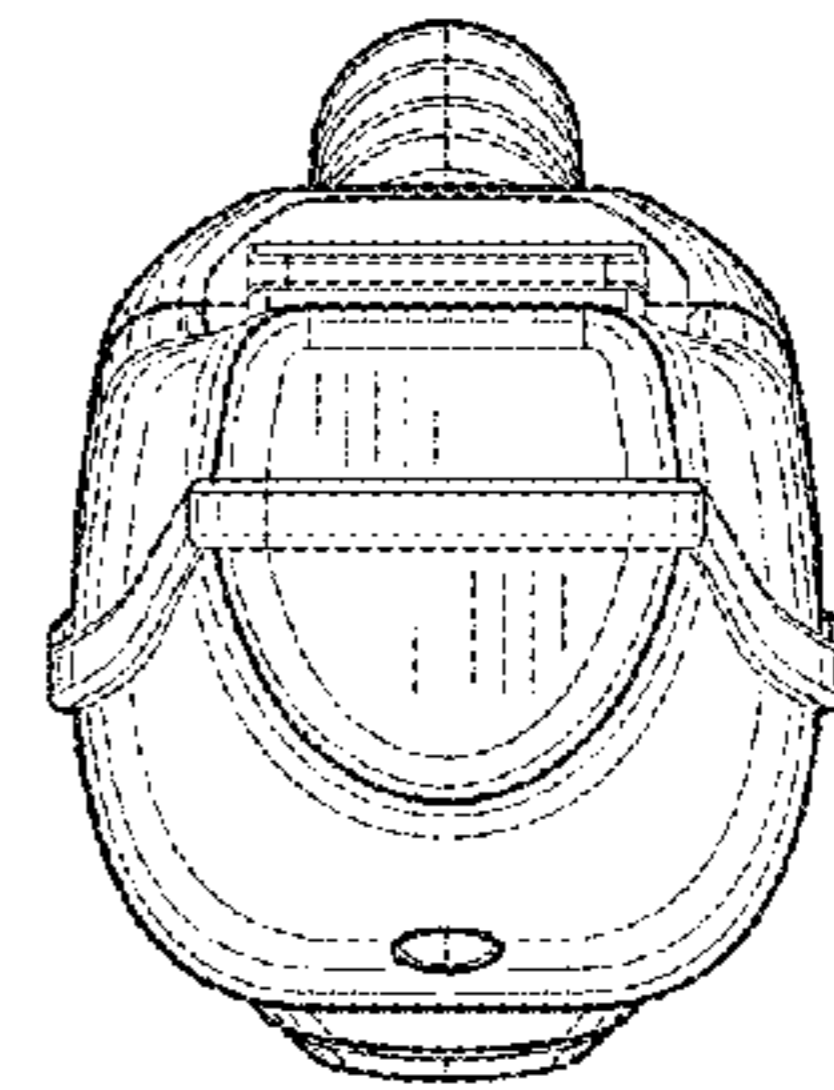
*FIG. 1*



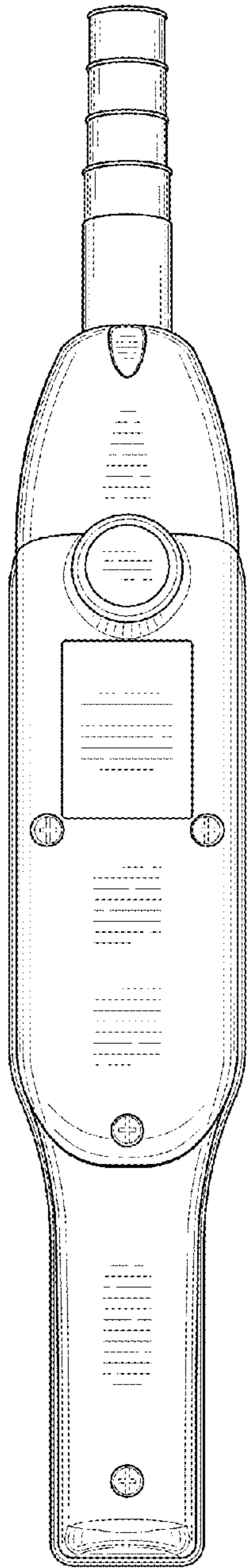
*FIG. 2*



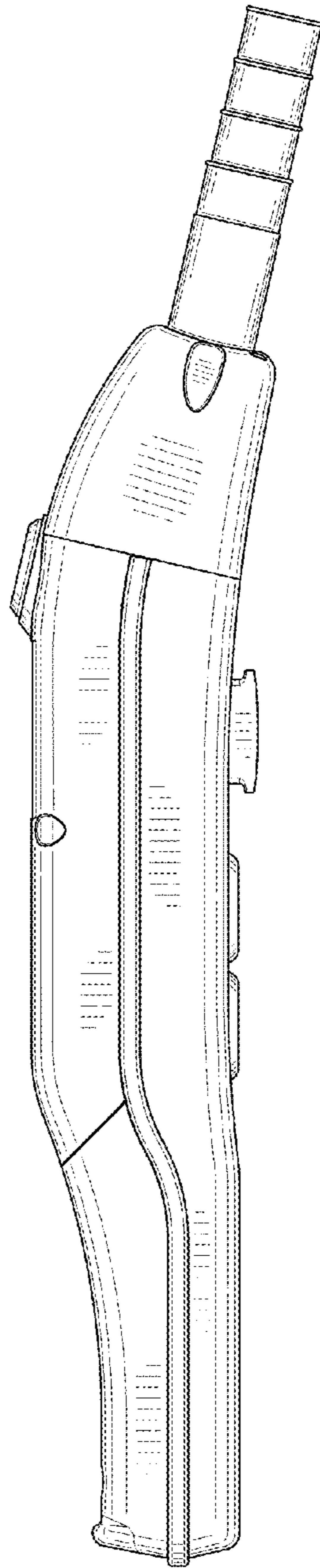
*FIG. 3*



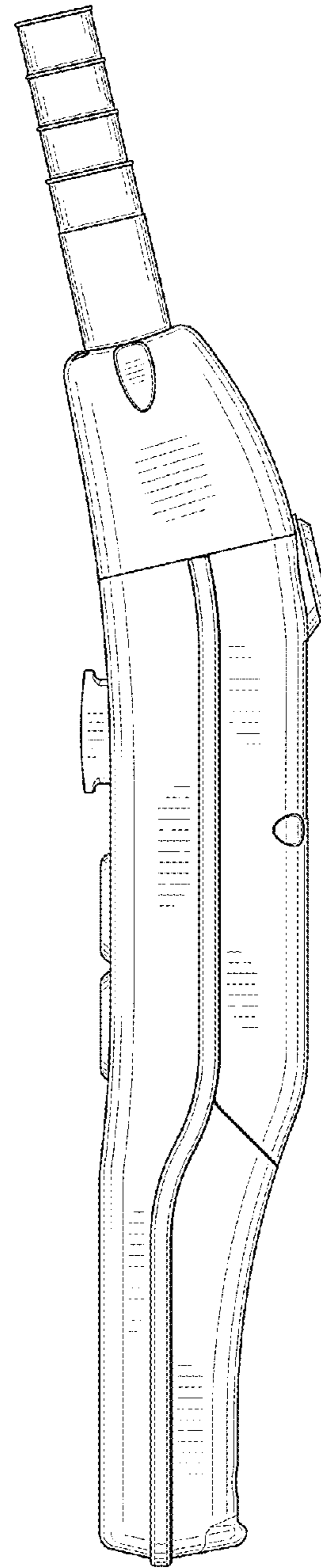
*FIG. 4*



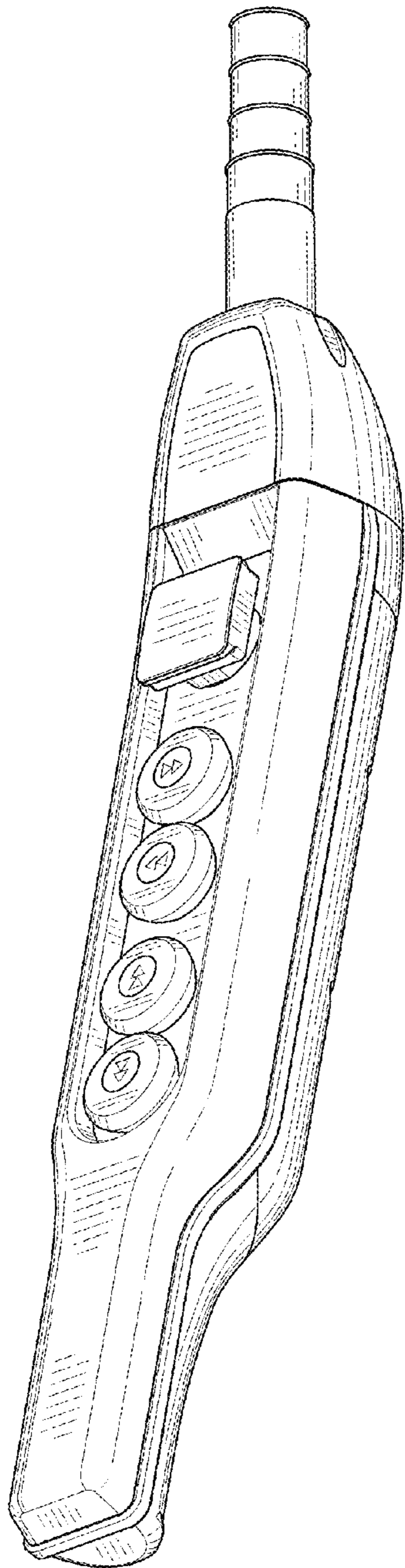
*FIG. 5*



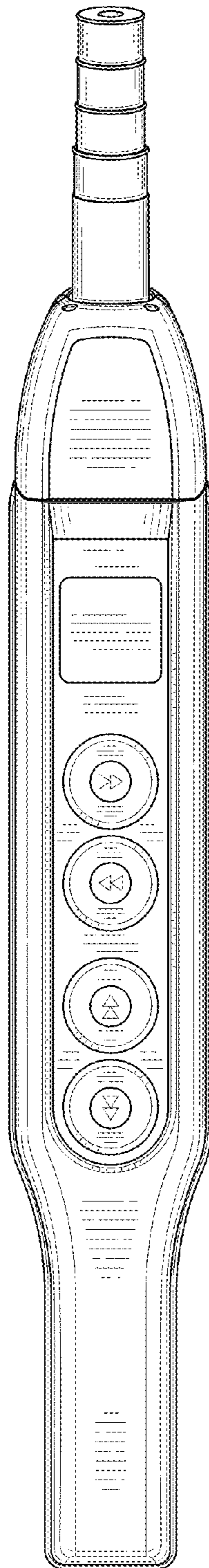
*FIG. 6*



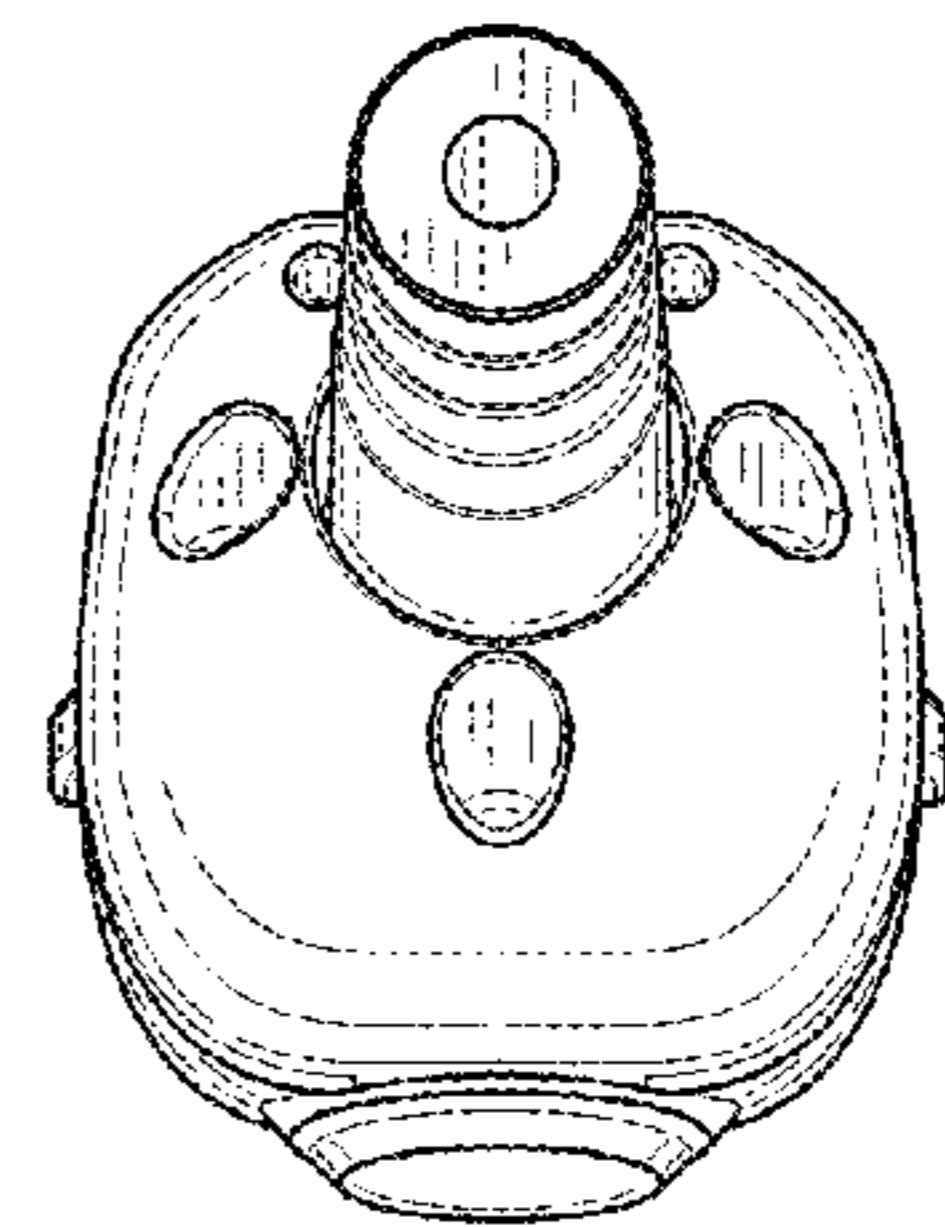
*FIG. 7*



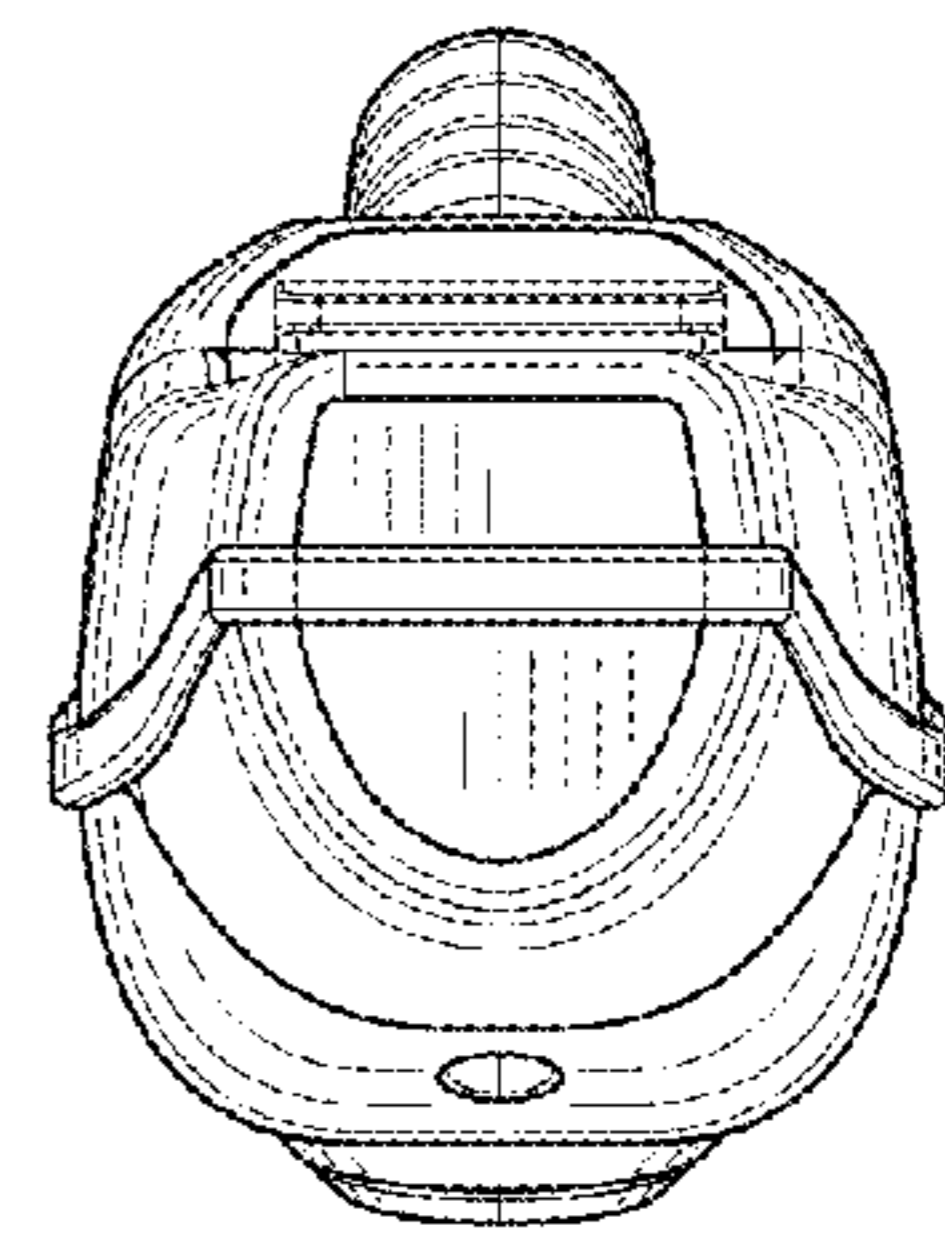
*FIG. 8*



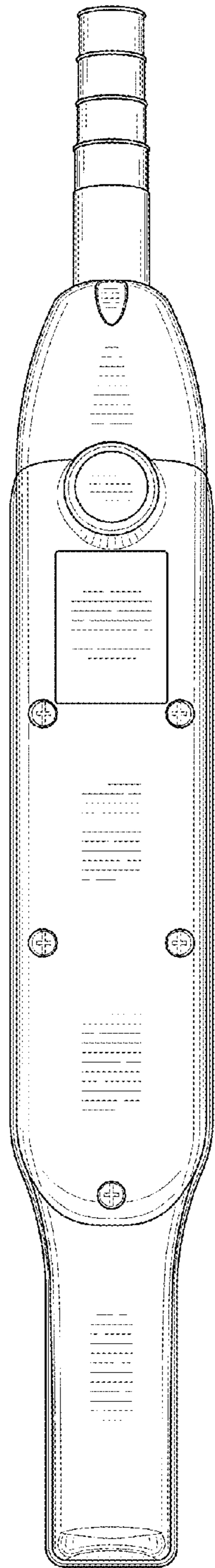
*FIG. 9*



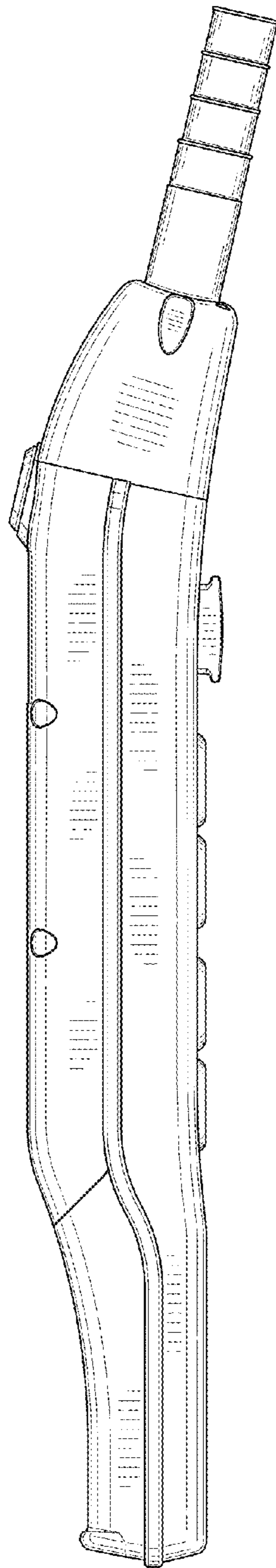
*FIG. 10*



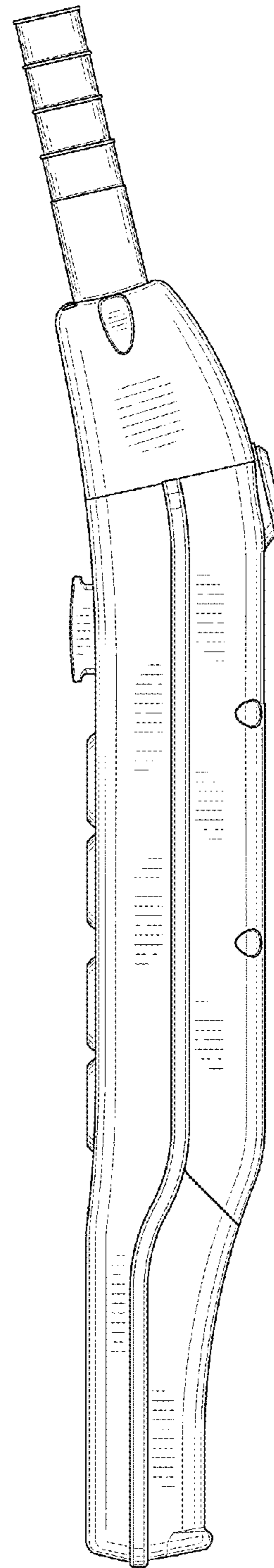
*FIG. 11*



*FIG. 12*



*FIG. 13*



*FIG. 14*