



US00D714735S

(12) **United States Design Patent**  
**Bertolotti**

(10) **Patent No.:** **US D714,735 S**

(45) **Date of Patent:** **\*\* Oct. 7, 2014**

(54) **ELECTRIC SWITCHGEAR AND CONTROL CABINET WITHOUT STORAGE BATTERY FOR WIND TURBINES**

(71) Applicant: **SSB Wind Systems GmbH & Co. KG,**  
Salzbergen (DE)

(72) Inventor: **Fabio Bertolotti,** Bad Bentheim (DE)

(73) Assignee: **SSB Wind Systems GmbH & Co. KG,**  
Salzbergen (DE)

(\*\*) Term: **14 Years**

(21) Appl. No.: **29/445,219**

(22) Filed: **Feb. 8, 2013**

(30) **Foreign Application Priority Data**

Aug. 9, 2012 (DE) ..... 40 2012 003 658

(51) **LOC (10) Cl.** ..... **13-03**

(52) **U.S. Cl.**  
USPC ..... **D13/158**

(58) **Field of Classification Search**

USPC ..... D13/103, 110, 115, 123, 124, 158, 159,  
D13/184; 29/889.21; 290/44; 361/301.2;  
416/1

See application file for complete search history.

(56) **References Cited**

U.S. PATENT DOCUMENTS

D356,993	S *	4/1995	Koster	.....	D13/103
D692,396	S *	10/2013	Hashimoto et al.	.....	D13/158
8,646,177	B2 *	2/2014	Tirumalai et al.	.....	29/889.21
2012/0049518	A1 *	3/2012	Bodenstein et al.	.....	290/44
2012/0070280	A1 *	3/2012	Wadehn	.....	416/1
2012/0223523	A1 *	9/2012	Bertolotti et al.	.....	290/44
2012/0224295	A1 *	9/2012	Bertolotti et al.	.....	361/301.2

\* cited by examiner

*Primary Examiner* — Thomas Johannes

(74) *Attorney, Agent, or Firm* — Harness, Dickey & Pierce, P.L.C.

(57) **CLAIM**

The ornamental design for an electric switchgear and control cabinet without storage battery for wind turbines, as shown and described.

**DESCRIPTION**

FIG. 1 is a perspective view of an electric switchgear and control cabinet without storage battery for wind turbines showing my new design;

FIG. 2 is a top view thereof, the bottom view forming no part of the claimed design;

FIG. 3 is a front view thereof;

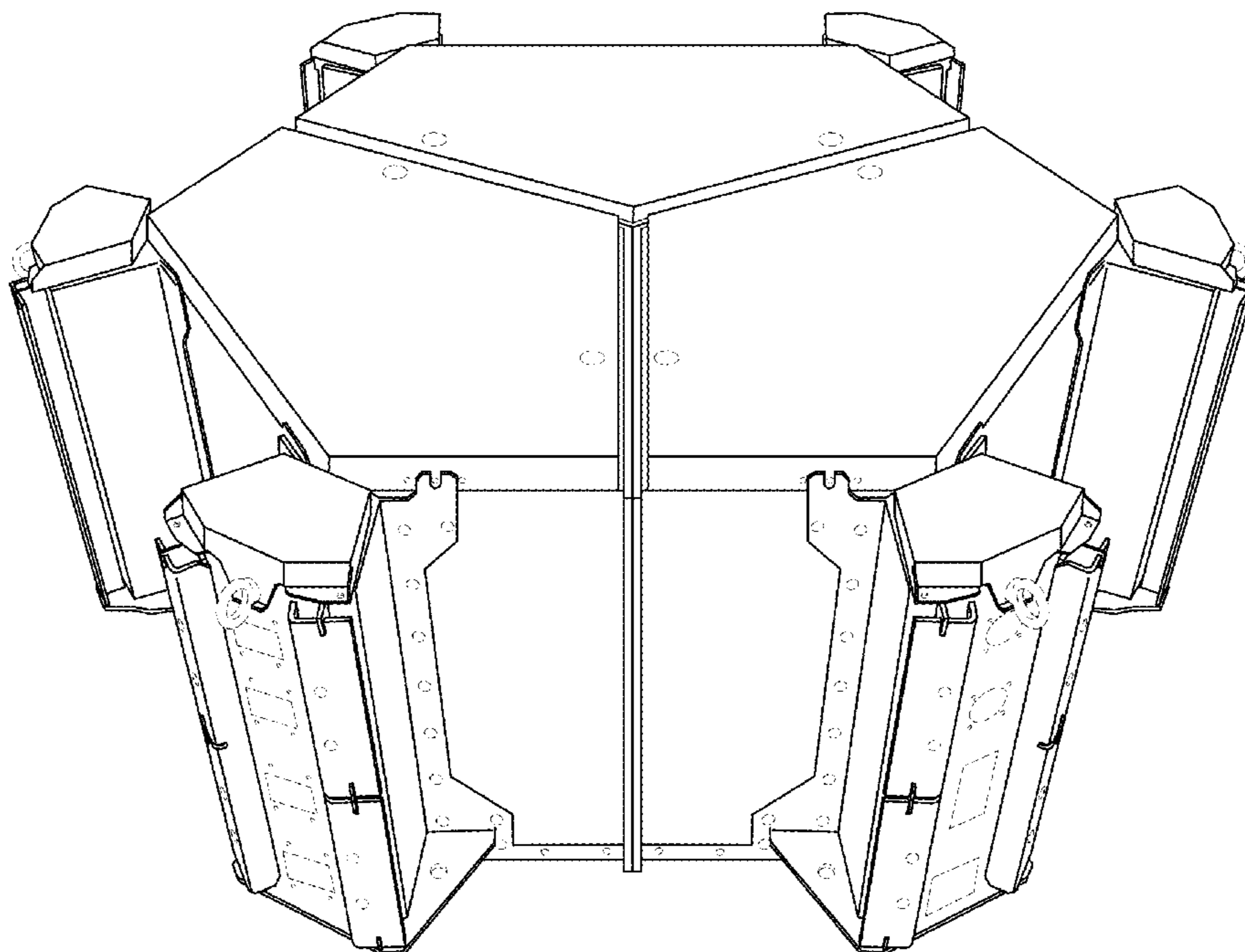
FIG. 4 is a rear view thereof;

FIG. 5 is a right side view thereof; and,

FIG. 6 is a left side view thereof.

The broken line portion of the figure drawings is included to show unclaimed subject matter only and forms no part of the claimed design.

**1 Claim, 6 Drawing Sheets**



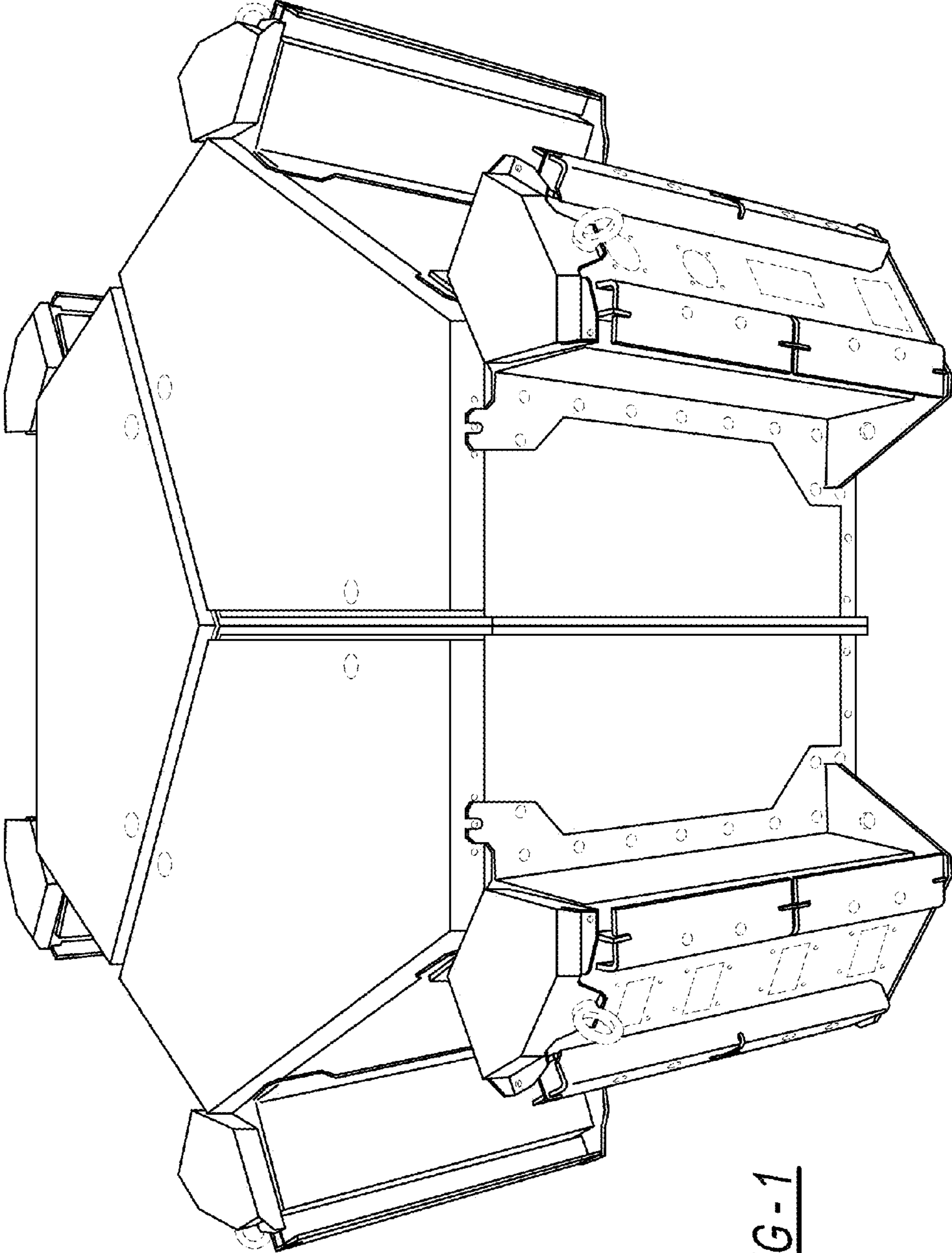
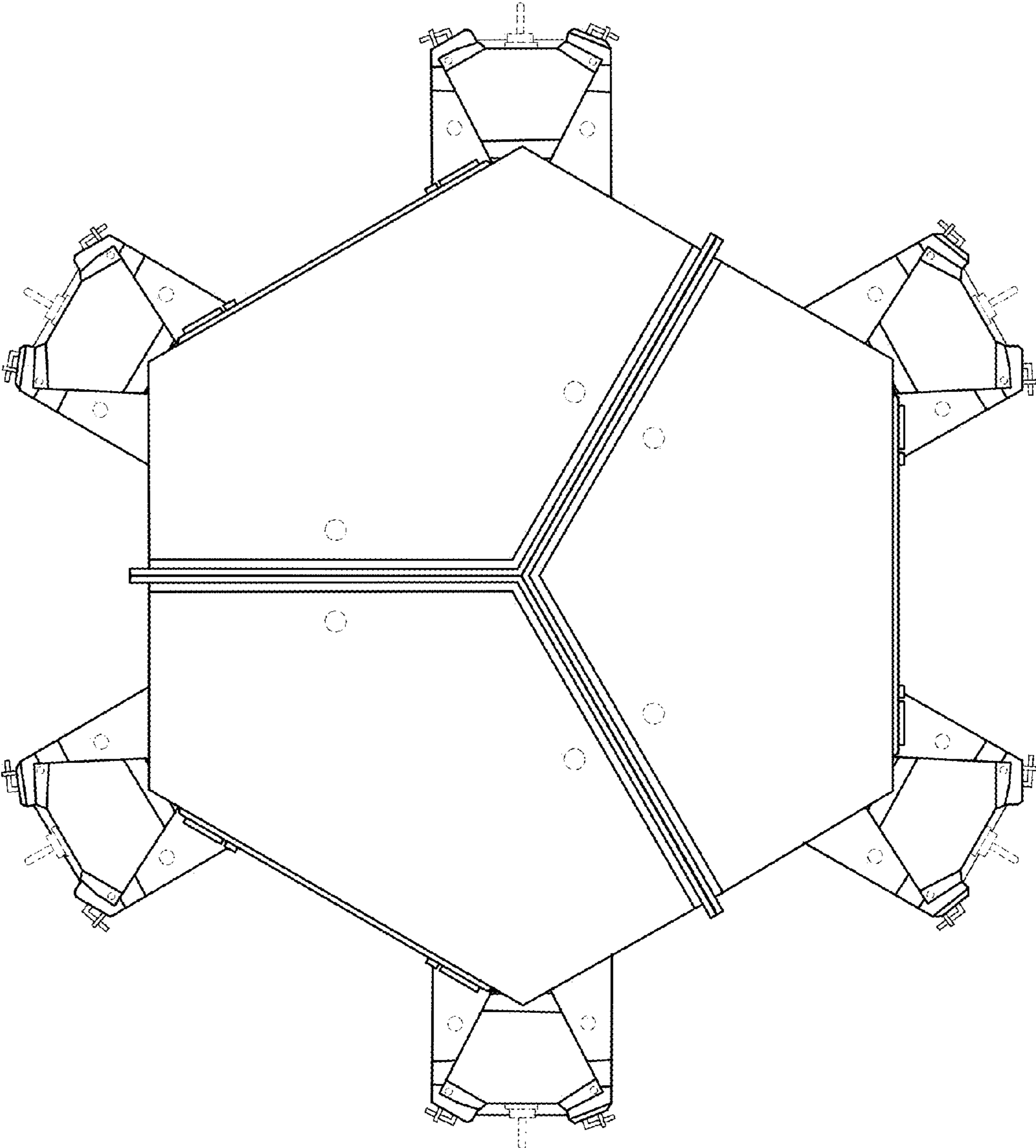


FIG - 1

FIG - 2



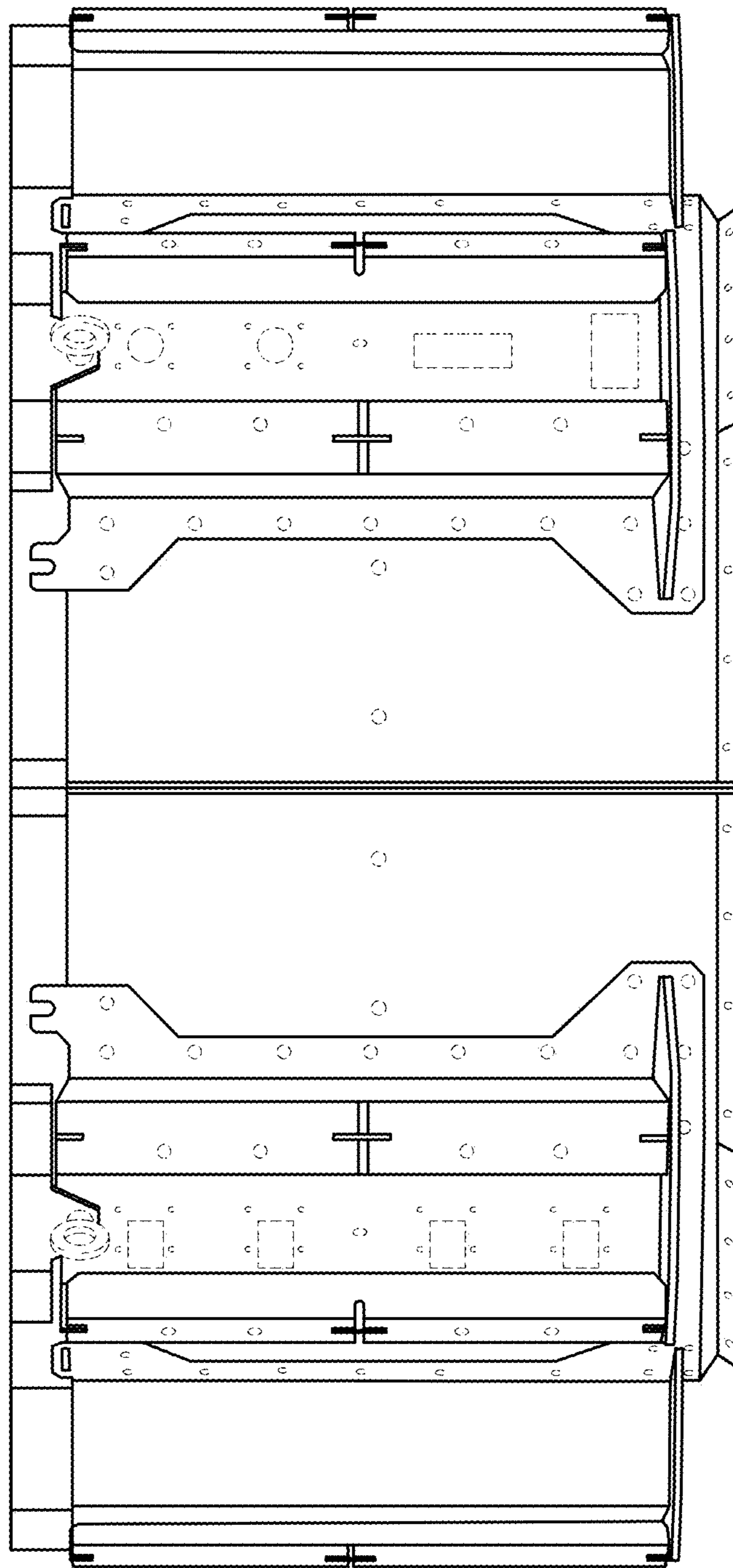


FIG - 3

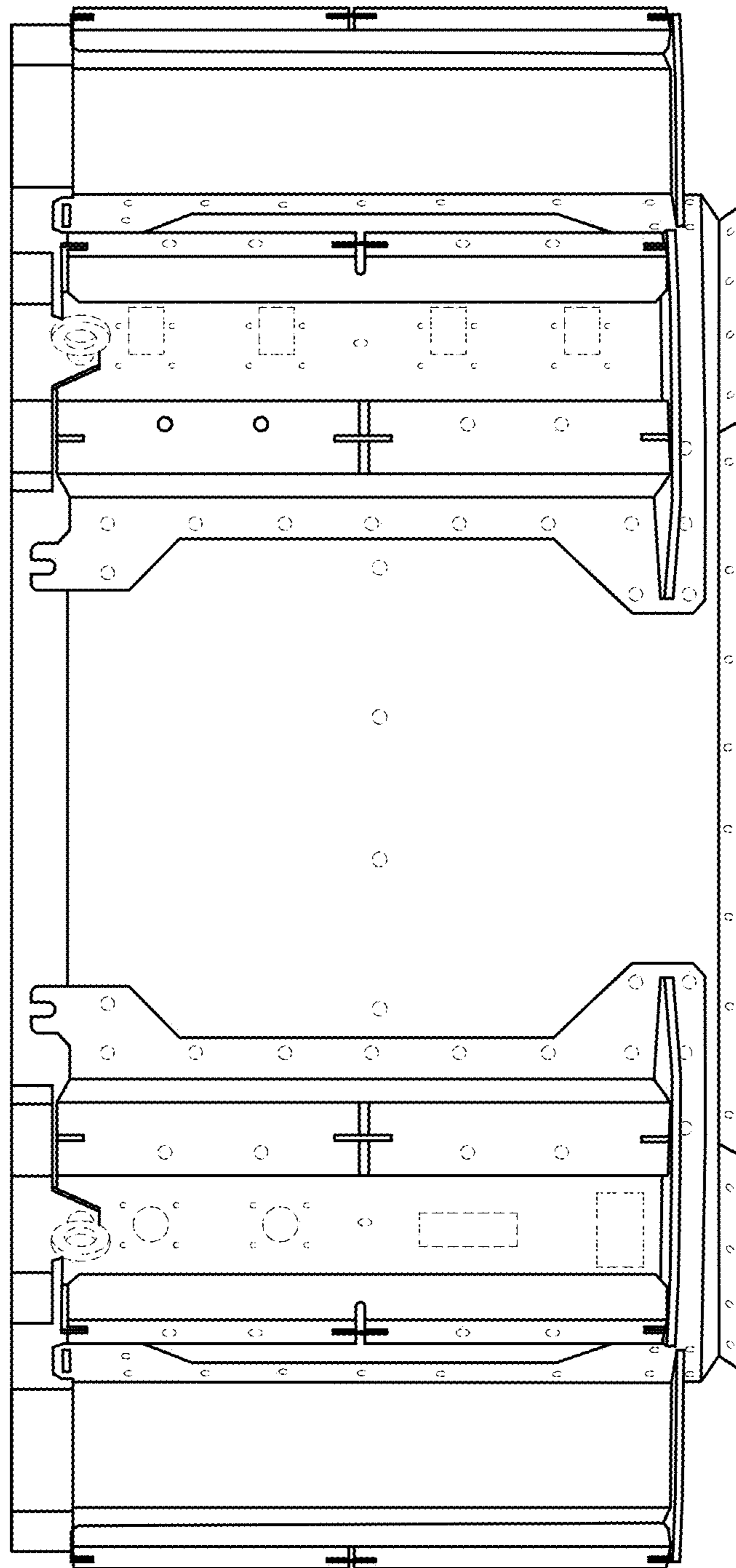


FIG - 4

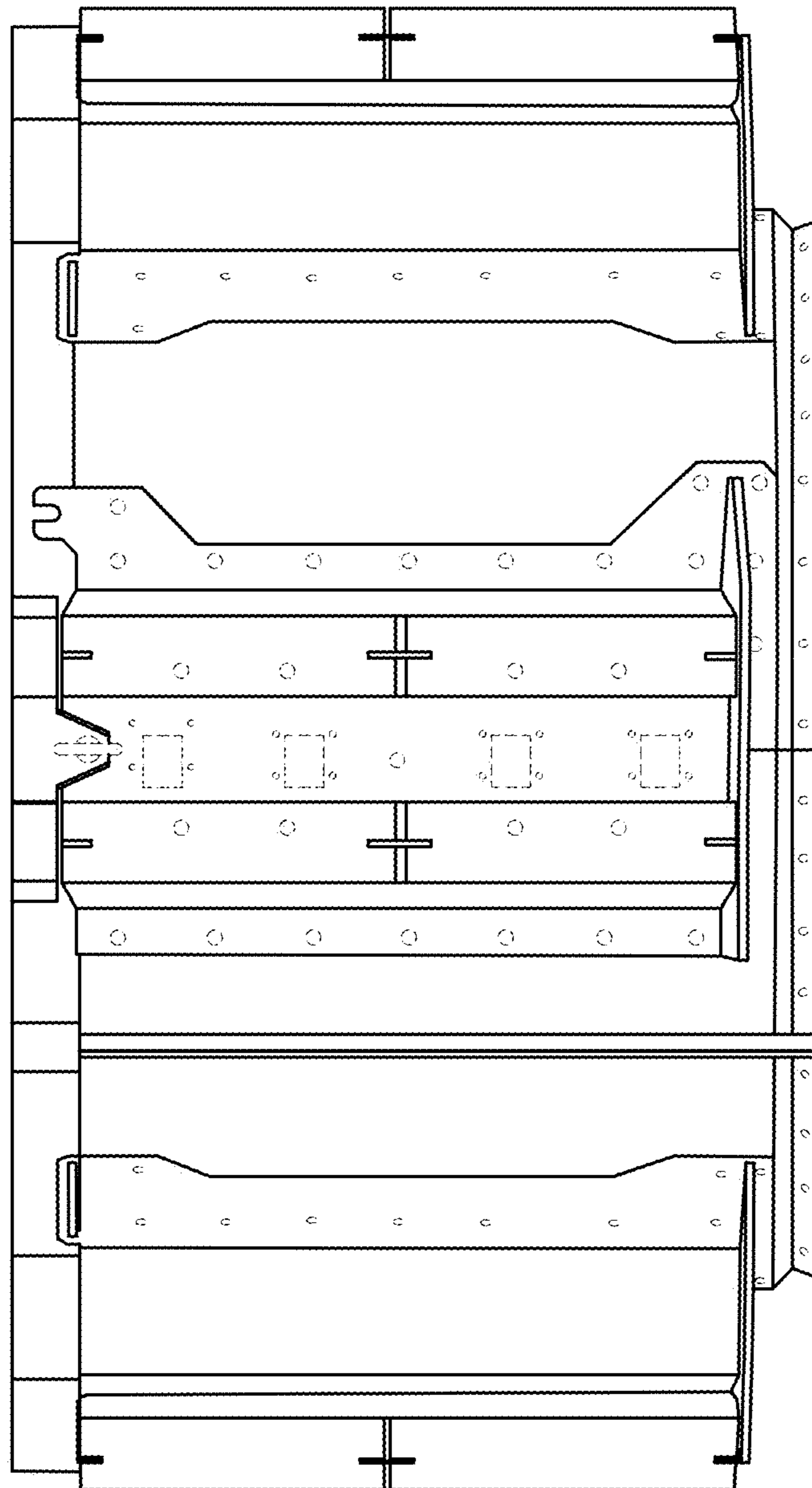


FIG - 5

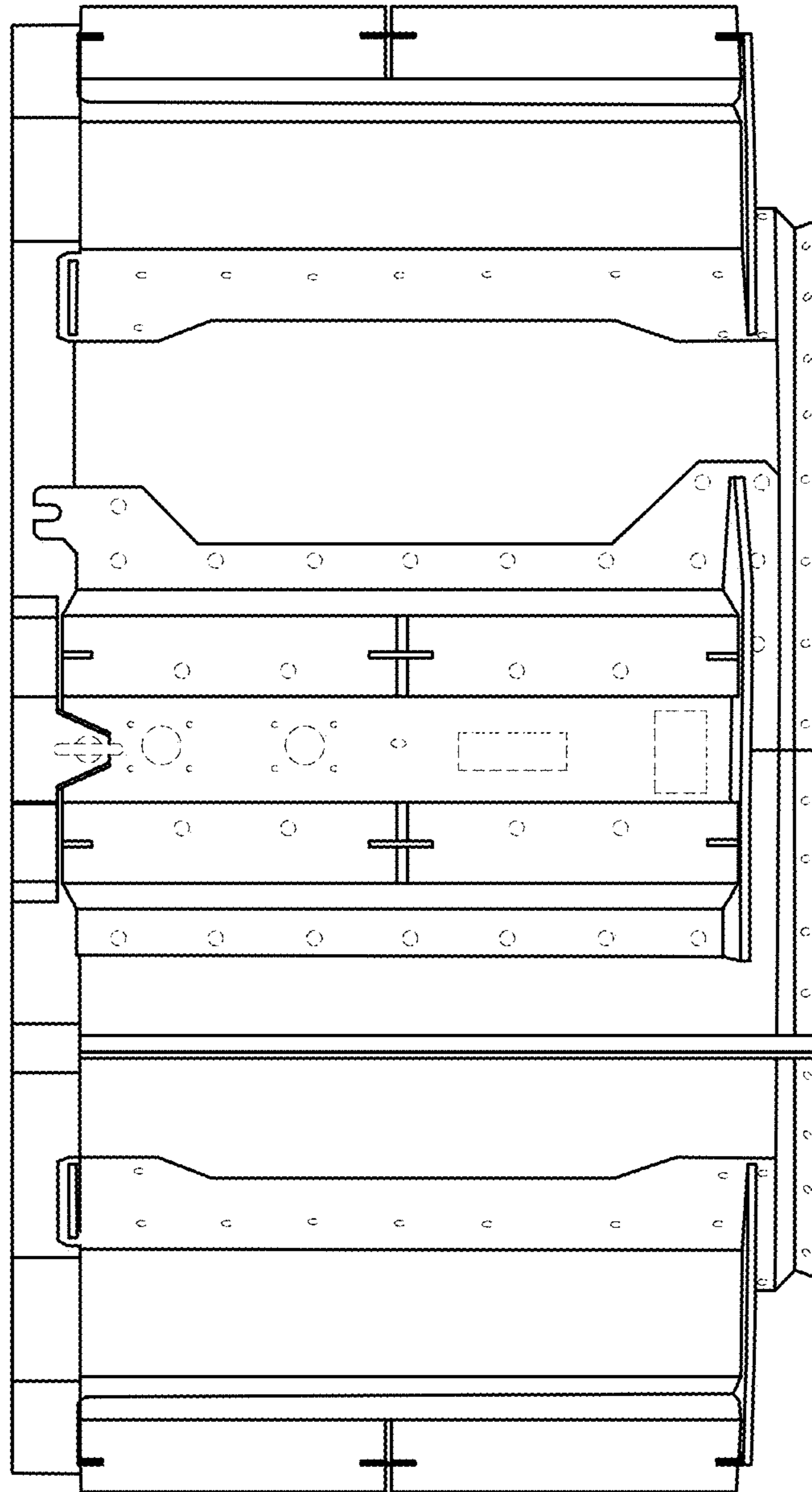


FIG - 6