



US00D714734S

(12) **United States Design Patent**
Bertolotti

(10) **Patent No.:** **US D714,734 S**
(45) **Date of Patent:** **** Oct. 7, 2014**

(54) **ELECTRIC SWITCHGEAR AND CONTROL CABINET WITH STORAGE BATTERY FOR WIND TURBINES**

(71) Applicant: **SSB Wind Systems GmbH & Co. KG**,
Salzbergen (DE)

(72) Inventor: **Fabio Bertolotti**, Bad Bentheim (DE)

(73) Assignee: **SSB Wind Systems GmbH & Co. KG**,
Salzbergen (DE)

(**) Term: **14 Years**

(21) Appl. No.: **29/445,216**

(22) Filed: **Feb. 8, 2013**

(30) **Foreign Application Priority Data**

Aug. 9, 2012 (DE) 40 2012 003 658

(51) **LOC (10) Cl.** **13-03**

(52) **U.S. Cl.**
USPC **D13/158**

(58) **Field of Classification Search**
CPC H01G 4/224; H02B 1/06; H01M 2/1072;
H01M 10/5006; H01M 10/5018; H01M
10/502; H01M 2/1094; F03D 11/00; F03D
11/0066; F05B 2240/14; F05B 2260/507;
F05B 2260/76; Y02E 60/12; Y02E 10/722;
Y02E 10/726
USPC D13/103, 110, 115, 123, 124, 158, 159,
D13/184; 29/889.21; 290/44; 361/301.2;
416/1

See application file for complete search history.

(56) **References Cited**

U.S. PATENT DOCUMENTS

D356,993	S	*	4/1995	Koster	D13/103
D692,396	S	*	10/2013	Hashimoto et al.	D13/158
8,646,177	B2	*	2/2014	Tirumalai et al.	29/889.21
2012/0049518	A1	*	3/2012	Bodenstein et al.	290/44
2012/0070280	A1	*	3/2012	Wadehn	416/1
2012/0223523	A1	*	9/2012	Bertolotti et al.	290/44
2012/0224295	A1	*	9/2012	Bertolotti et al.	361/301.2

* cited by examiner

Primary Examiner — Thomas Johannes

(74) *Attorney, Agent, or Firm* — Harness, Dickey & Pierce,
P.L.C.

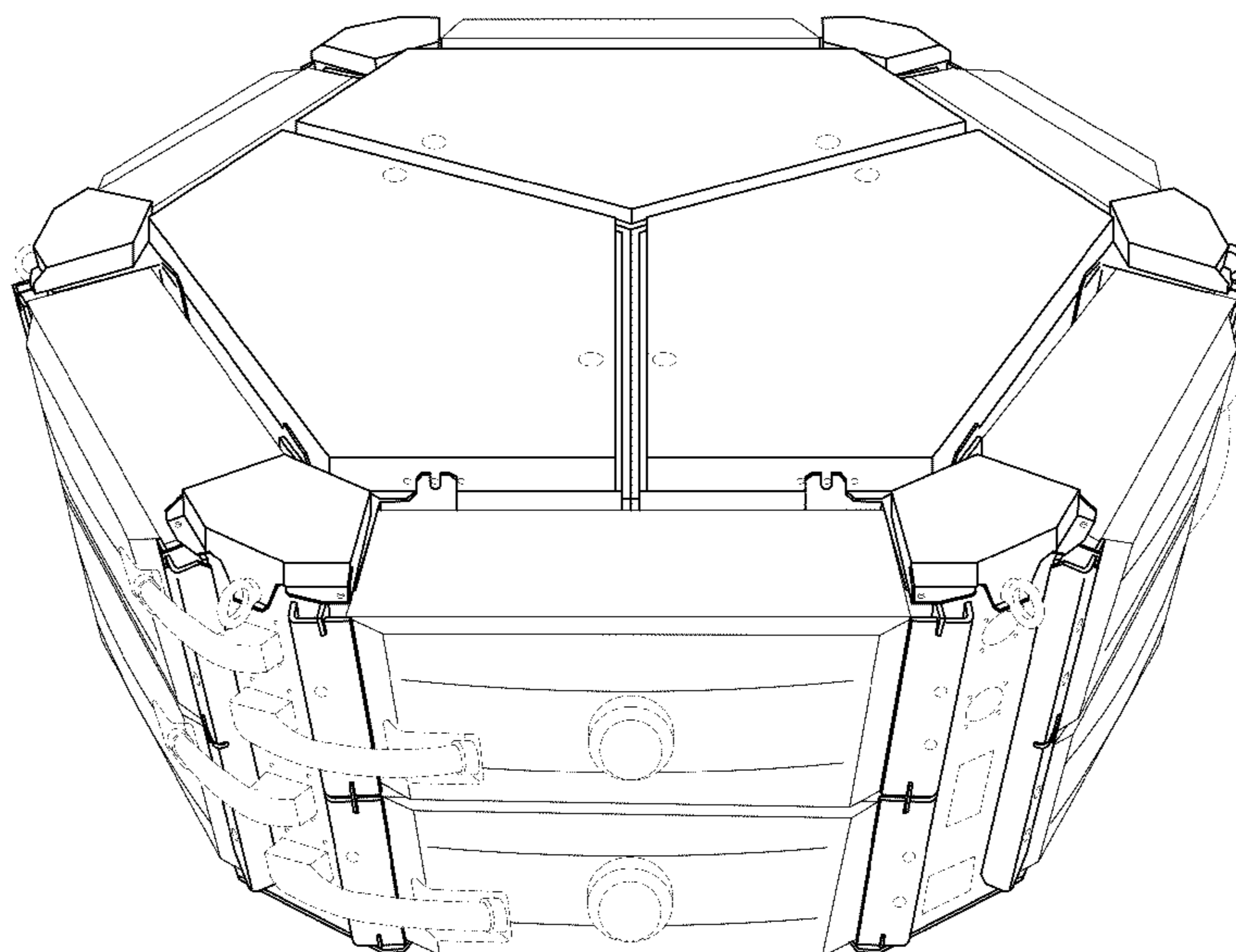
(57) **CLAIM**

The ornamental design for an an electric switchgear and control cabinet with storage battery for wind turbines, as shown and described.

DESCRIPTION

FIG. 1 is a perspective view of an electric switchgear and control cabinet with storage battery for wind turbines showing my new design;
FIG. 2 is a top view thereof, the bottom view forming no part of the claimed design;
FIG. 3 is a front view thereof;
FIG. 4 is a rear view thereof;
FIG. 5 is a right side view thereof; and,
FIG. 6 is a left side view thereof.
The broken line portion of the figure drawings is included to show unclaimed subject matter only and forms no part of the claimed design.

1 Claim, 6 Drawing Sheets



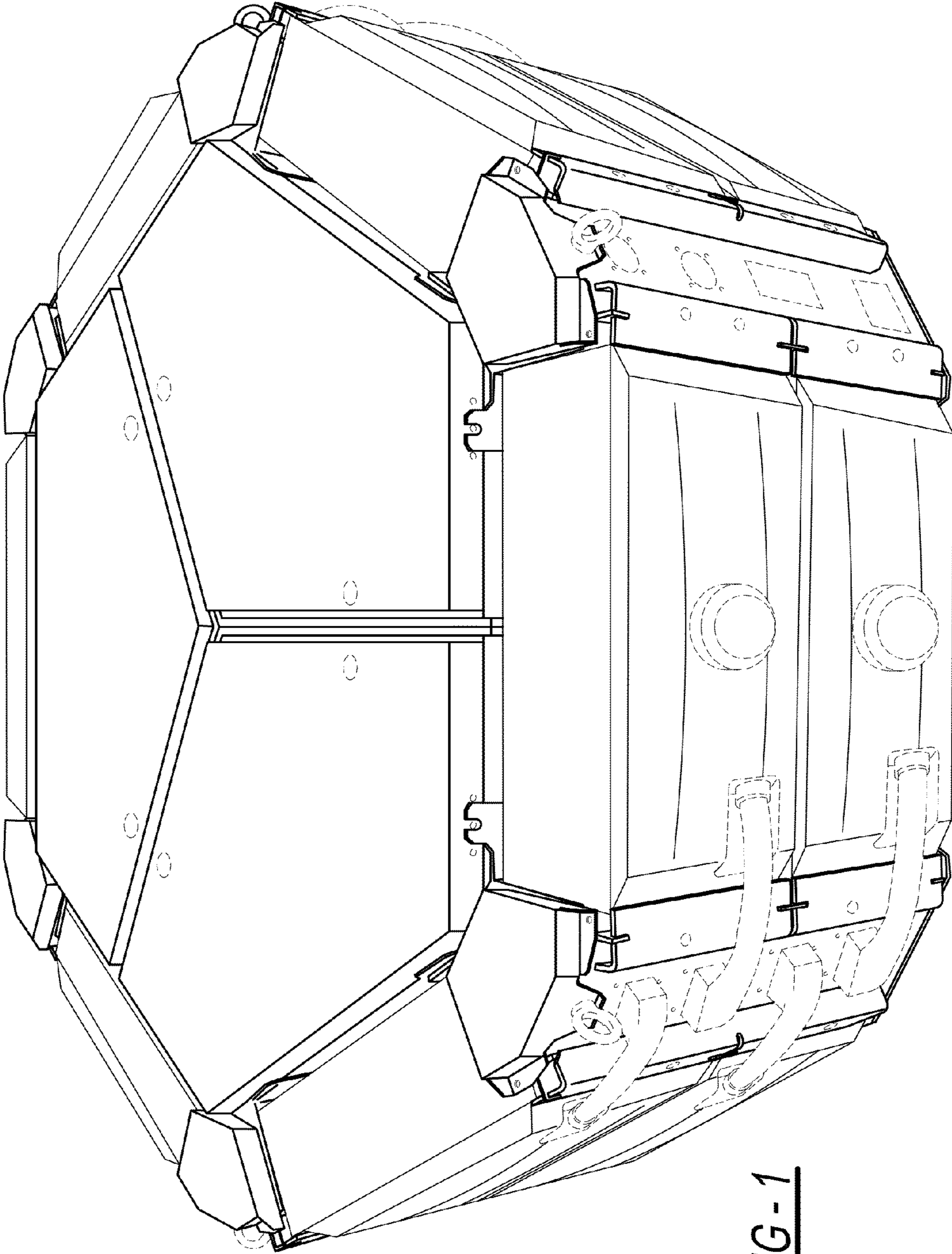
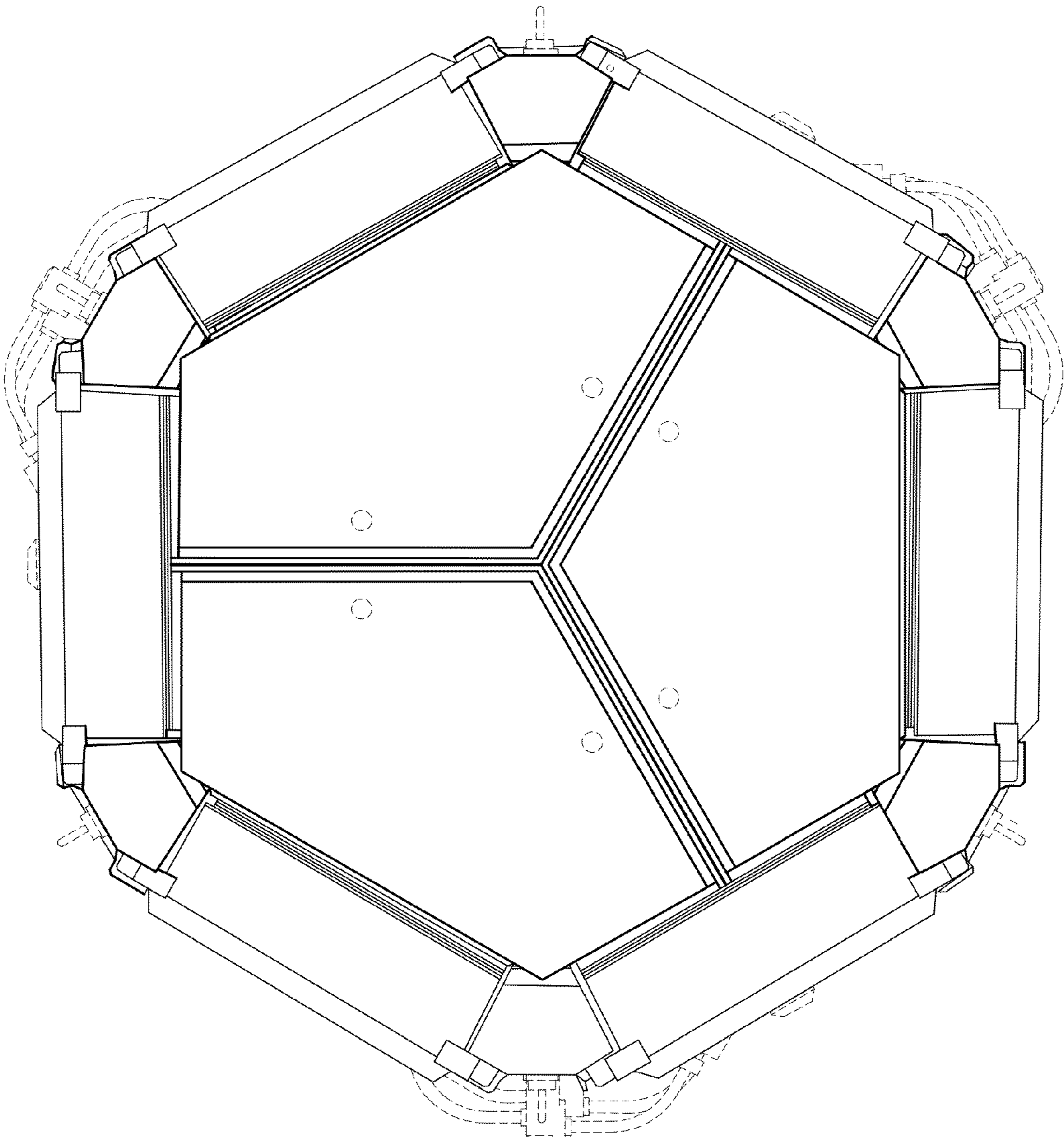


FIG-1

FIG - 2



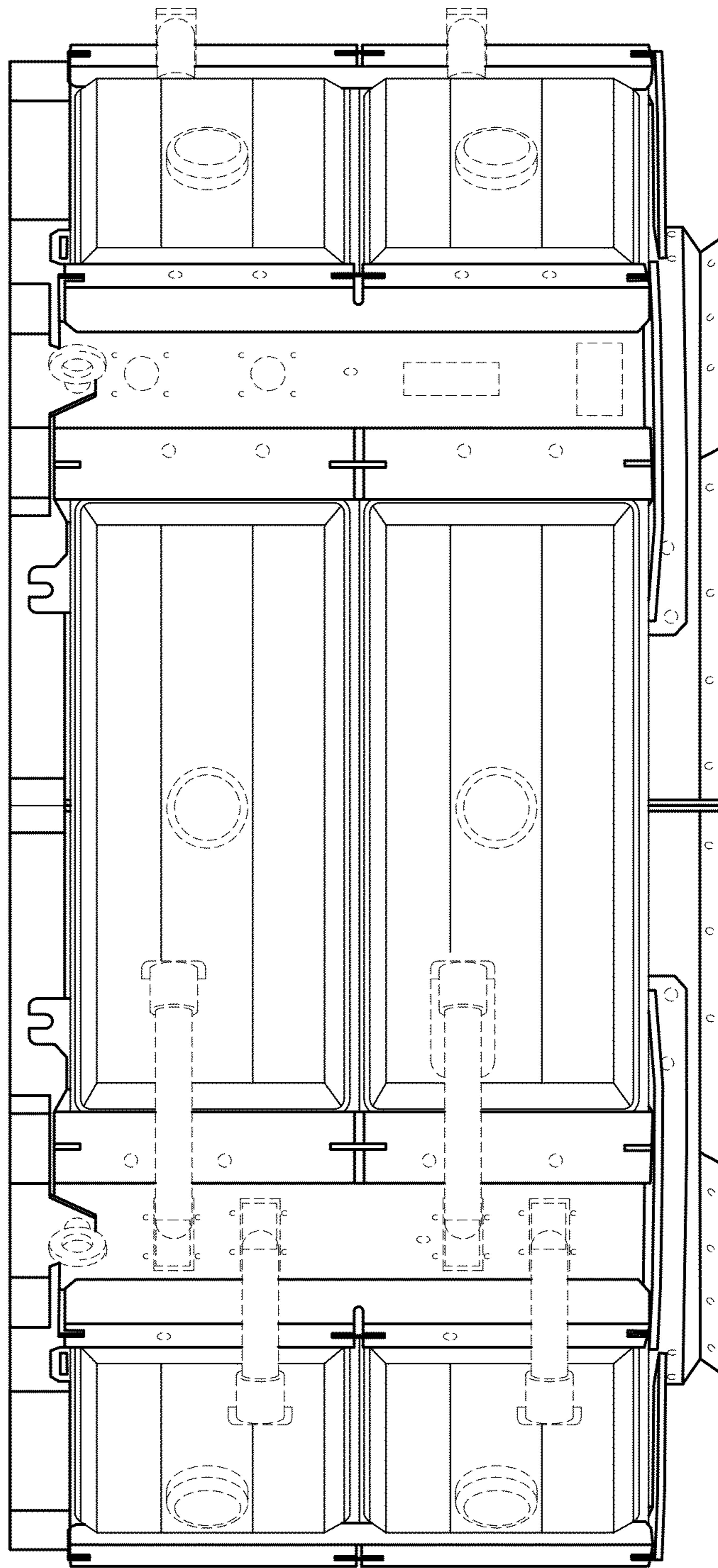


FIG - 3

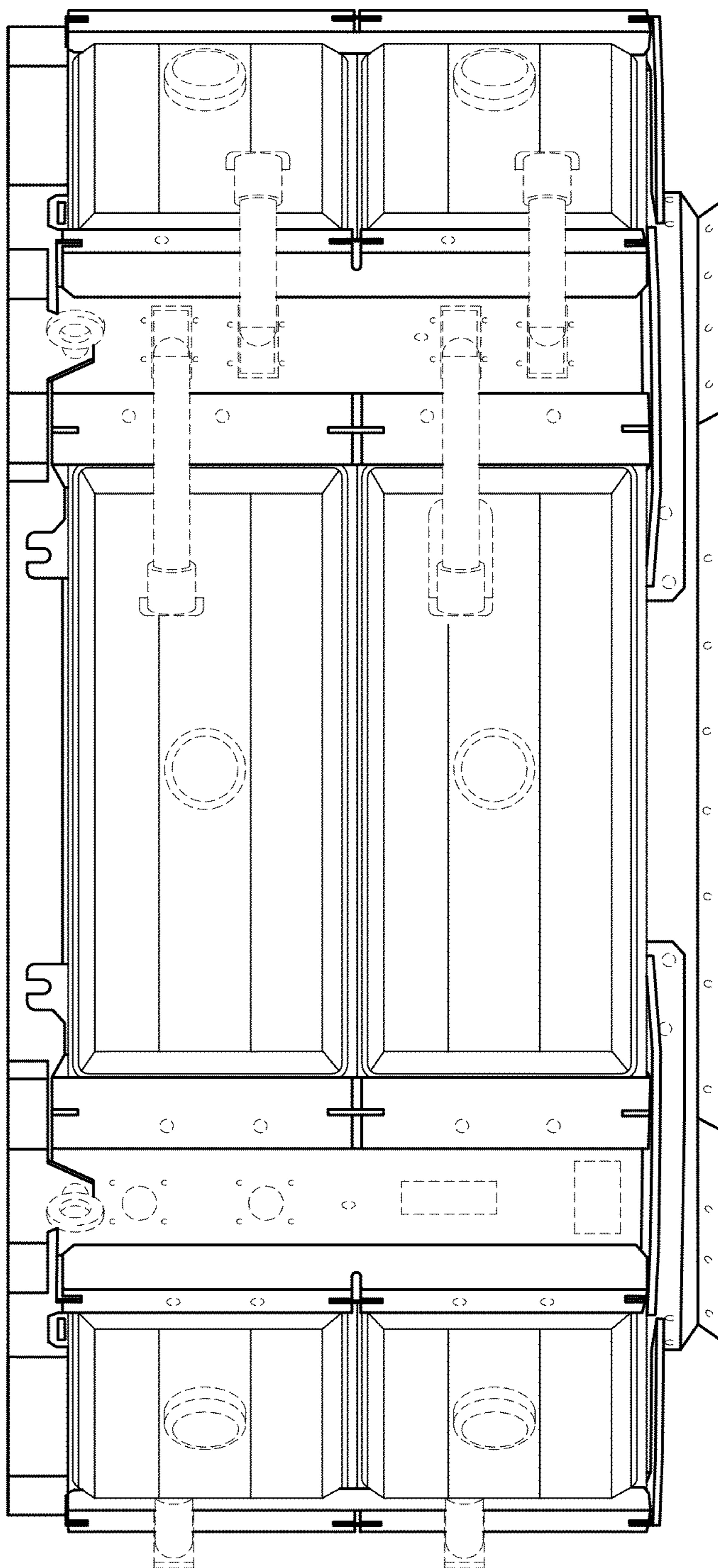


FIG - 4

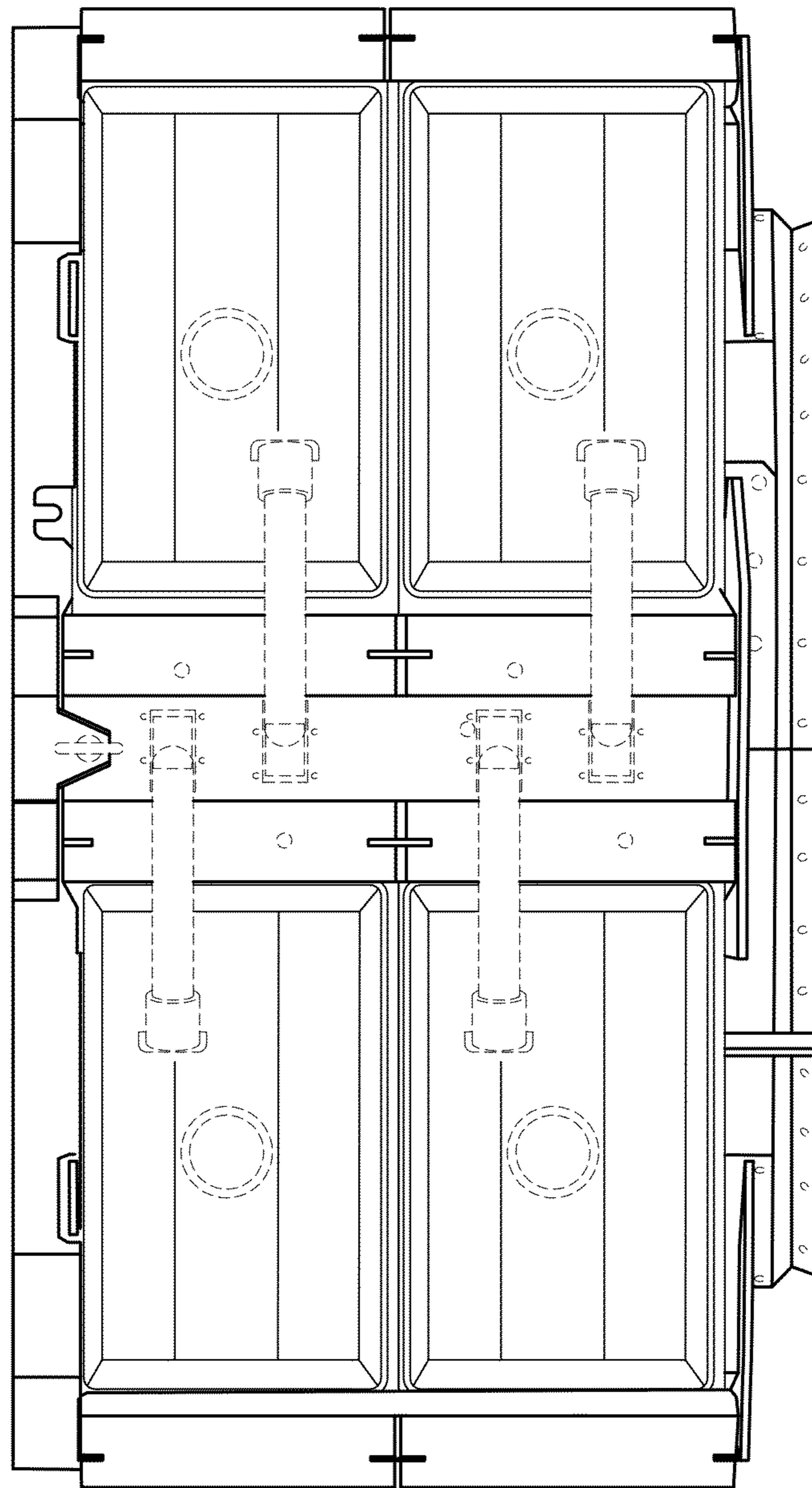


FIG - 5

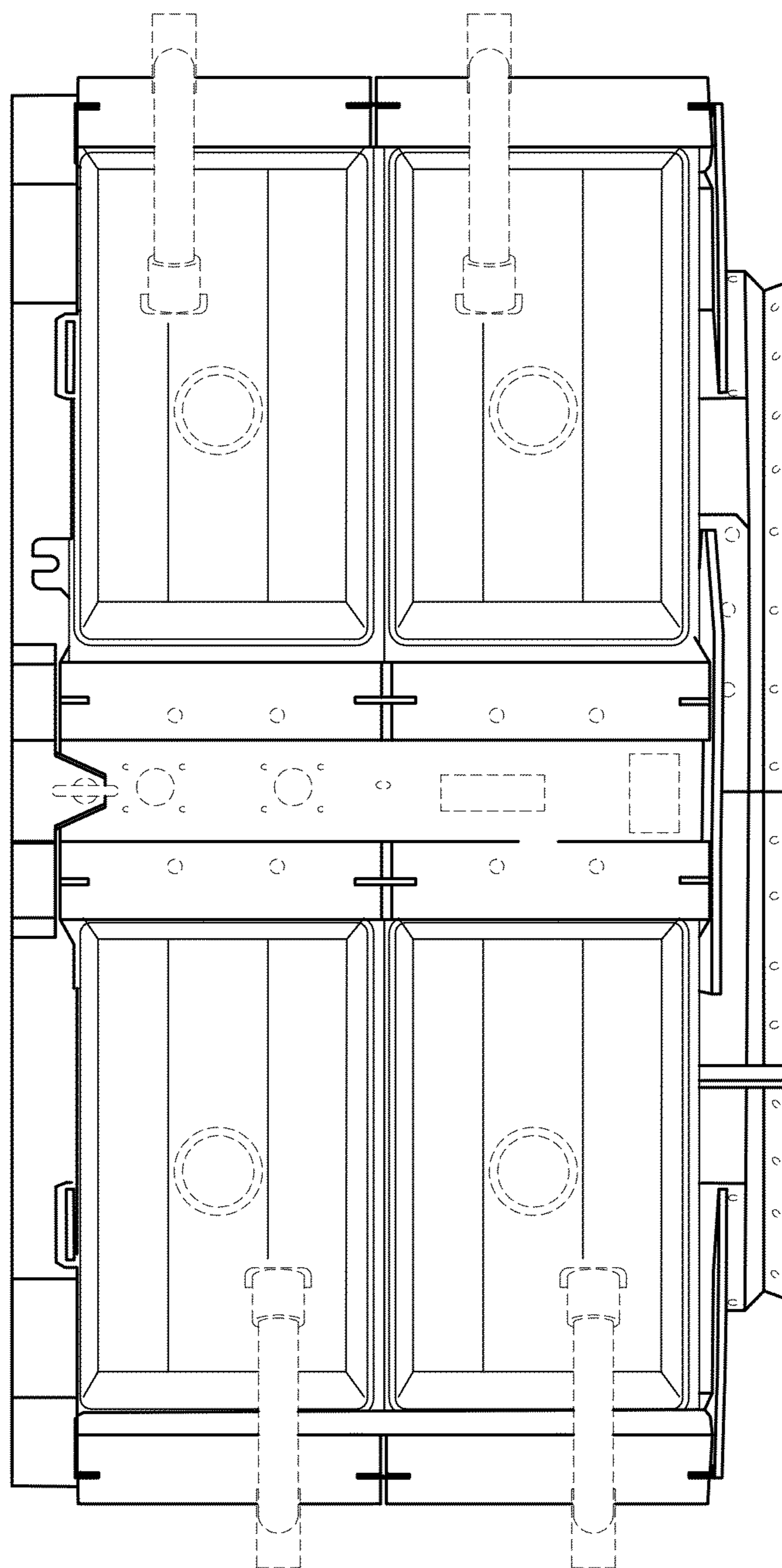


FIG - 6