



US00D714732S

(12) **United States Design Patent**  
**Masumoto et al.**

(10) **Patent No.:** **US D714,732 S**  
(45) **Date of Patent:** **\*\* Oct. 7, 2014**

(54) **ELECTRICAL CONNECTOR**

(71) Applicant: **Japan Aviation Electronics Industry, Limited**, Tokyo (JP)

(72) Inventors: **Toshio Masumoto**, Tokyo (JP); **Yuichi Saito**, Tokyo (JP); **Yoshihide Kuroki**, Tokyo (JP)

(73) Assignee: **Japan Aviation Electronics Industry, Limited**, Tokyo (JP)

(\*\*) Term: **14 Years**

(21) Appl. No.: **29/480,843**

(22) Filed: **Jan. 30, 2014**

**Related U.S. Application Data**

(62) Division of application No. 29/448,662, filed on Mar. 13, 2013.

**Foreign Application Priority Data**

(30) Sep. 28, 2012 (JP) ..... 2012-023846  
Sep. 28, 2012 (JP) ..... 2012-023847

(51) **LOC (10) Cl.** ..... **13-03**

(52) **U.S. Cl.**  
USPC ..... **D13/147**

(58) **Field of Classification Search**  
USPC ..... D13/147, 153, 154, 184, 199; 439/79, 439/108, 135, 180, 246, 278, 291, 328, 344, 439/350, 353, 357, 358, 374, 378, 381, 391, 439/489, 509, 527, 529, 530, 533, 587, 594, 439/598, 607.01, 607.04, 607.05, 607.17, 439/607.25, 607.34, 607.41, 607.53, 626, 439/629, 637, 656, 660, 668, 676, 680, 711, 439/745, 752, 892, 894

See application file for complete search history.

(56) **References Cited**

**U.S. PATENT DOCUMENTS**

D531,580 S \* 11/2006 Nishio et al. .... D13/147  
D588,543 S 3/2009 Kondo

(Continued)

**FOREIGN PATENT DOCUMENTS**

JP D1162178 S 1/2003  
JP D1331980 S 6/2008

(Continued)

**OTHER PUBLICATIONS**

Korean Office Action dated Feb. 1, 2014, issued in corresponding Korean patent application No. 30/2013-0011782, w/ partial English translation (4 pages).

(Continued)

*Primary Examiner* — Daniel Bui

(74) *Attorney, Agent, or Firm* — Westerman, Hattori, Daniels & Adrian, LLP

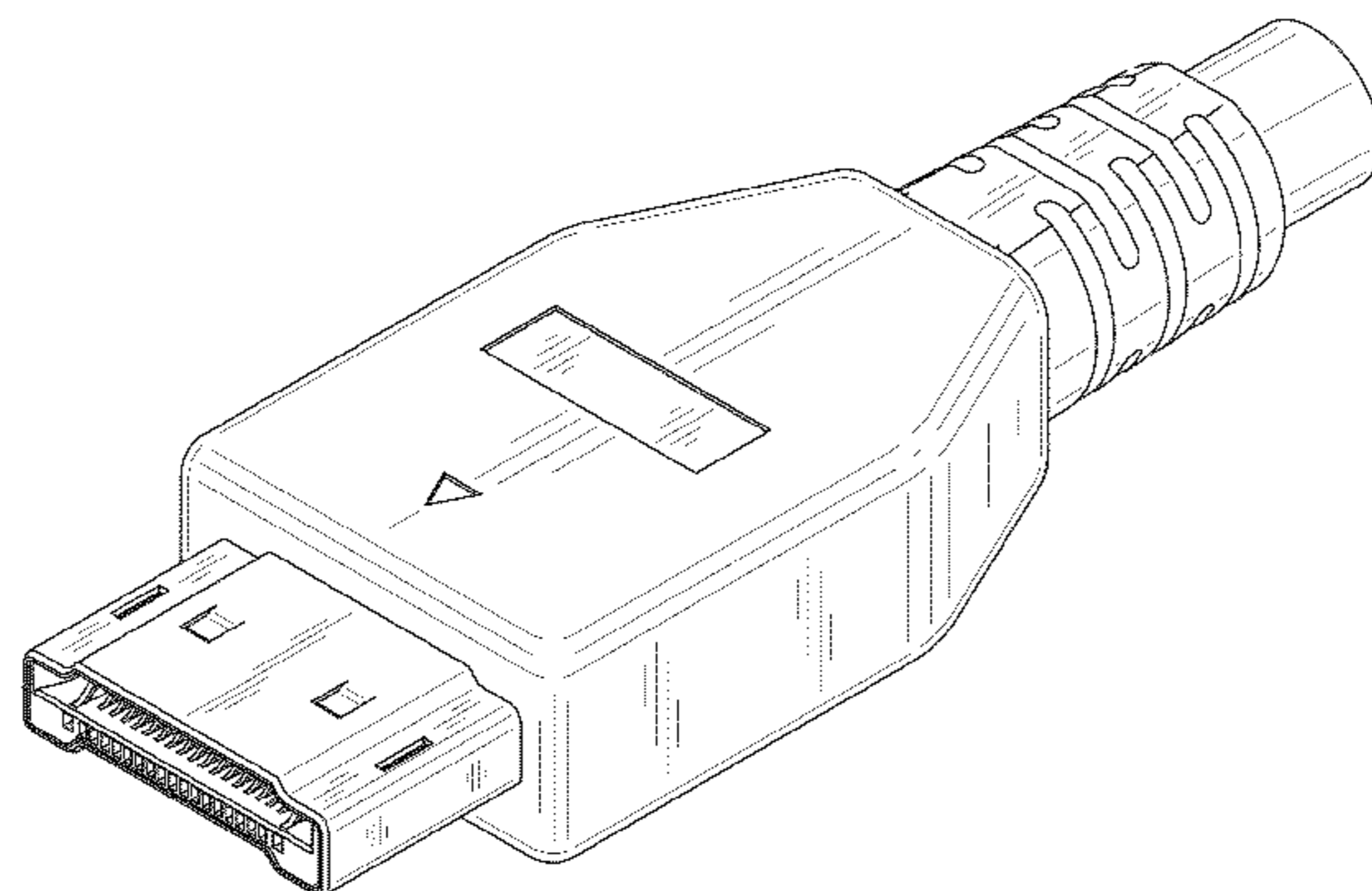
(57) **CLAIM**

The ornamental design for an electrical connector, as shown and described.

**DESCRIPTION**

FIG. 1 is a front elevational view of an electrical connector, showing our new design;  
FIG. 2 is a rear elevational view thereof;  
FIG. 3 is a right side elevational view thereof;  
FIG. 4 is a left side elevational view thereof;  
FIG. 5 is a top plan view thereof;  
FIG. 6 is a bottom plan view thereof;  
FIG. 7 is a right front perspective view showing the top thereof;  
FIG. 8 is a left rear perspective view showing the bottom thereof;  
FIG. 9 is a right front perspective view showing the bottom thereof; and,  
FIG. 10 is a left rear perspective view showing the top thereof.

**1 Claim, 10 Drawing Sheets**



(56)

**References Cited**

U.S. PATENT DOCUMENTS

D636,340 S 4/2011 Sasaki et al.  
D649,118 S \* 11/2011 Kawakami et al. .... D13/147  
D675,572 S \* 2/2013 Arai et al. .... D13/147  
D704,140 S \* 5/2014 Little et al. .... D13/147  
D704,664 S \* 5/2014 Kawakami .... D13/147  
2009/0023336 A1 1/2009 Kondo et al.

FOREIGN PATENT DOCUMENTS

JP D1341697 S 10/2008

JP D1386269 S 4/2010  
JP D1397441 S 9/2010  
JP D1397721 S 9/2010  
JP D1420554 S 8/2011

OTHER PUBLICATIONS

Japanese Office Action dated Mar. 8, 2013, issued in corresponding  
Japanese Patent Application No. 2012-023846.  
Japanese Office Action dated May 24, 2013, issued in corresponding  
Japanese Design Patent Application No. 2012-023846.

\* cited by examiner

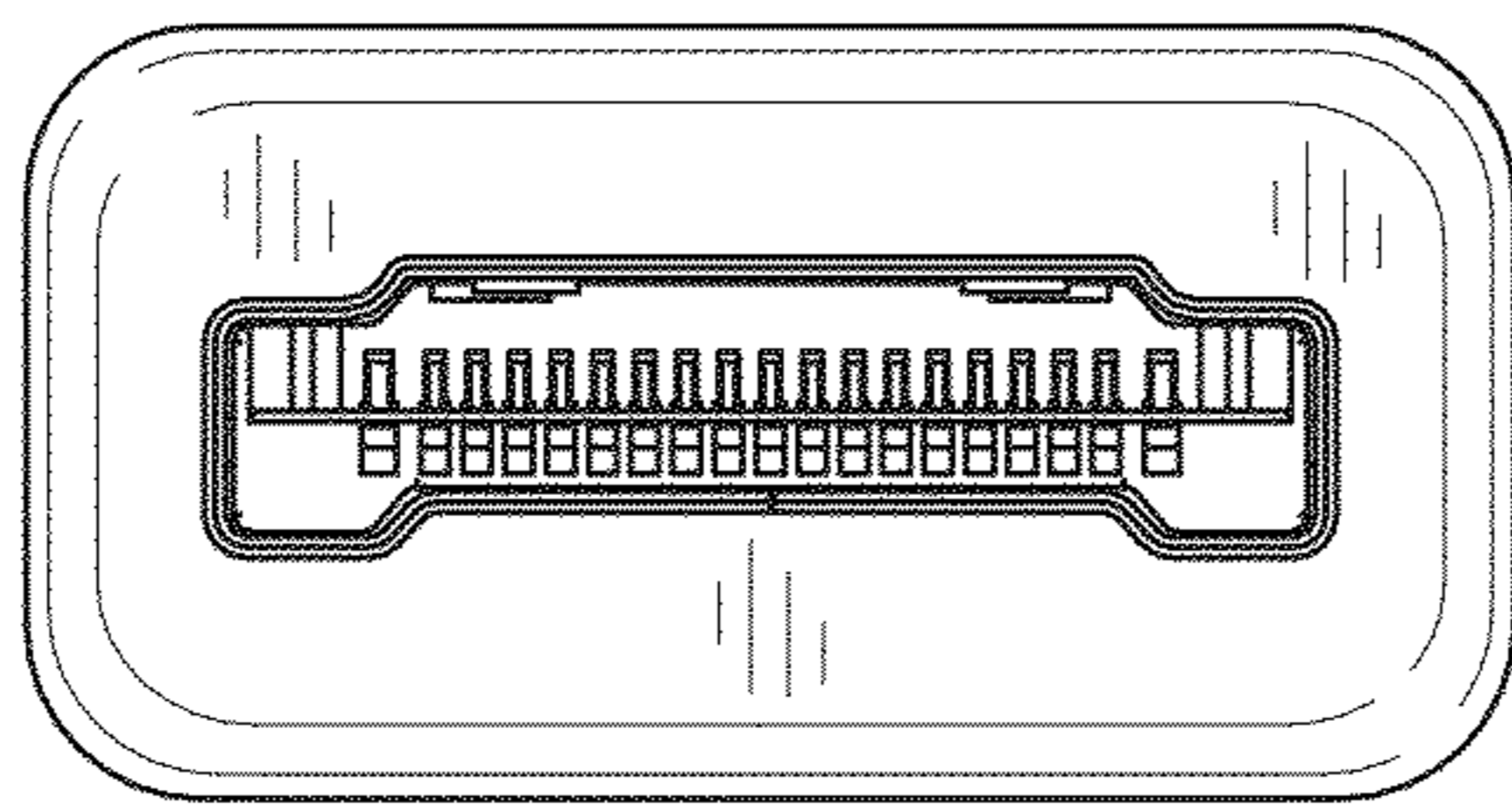


FIG. 1

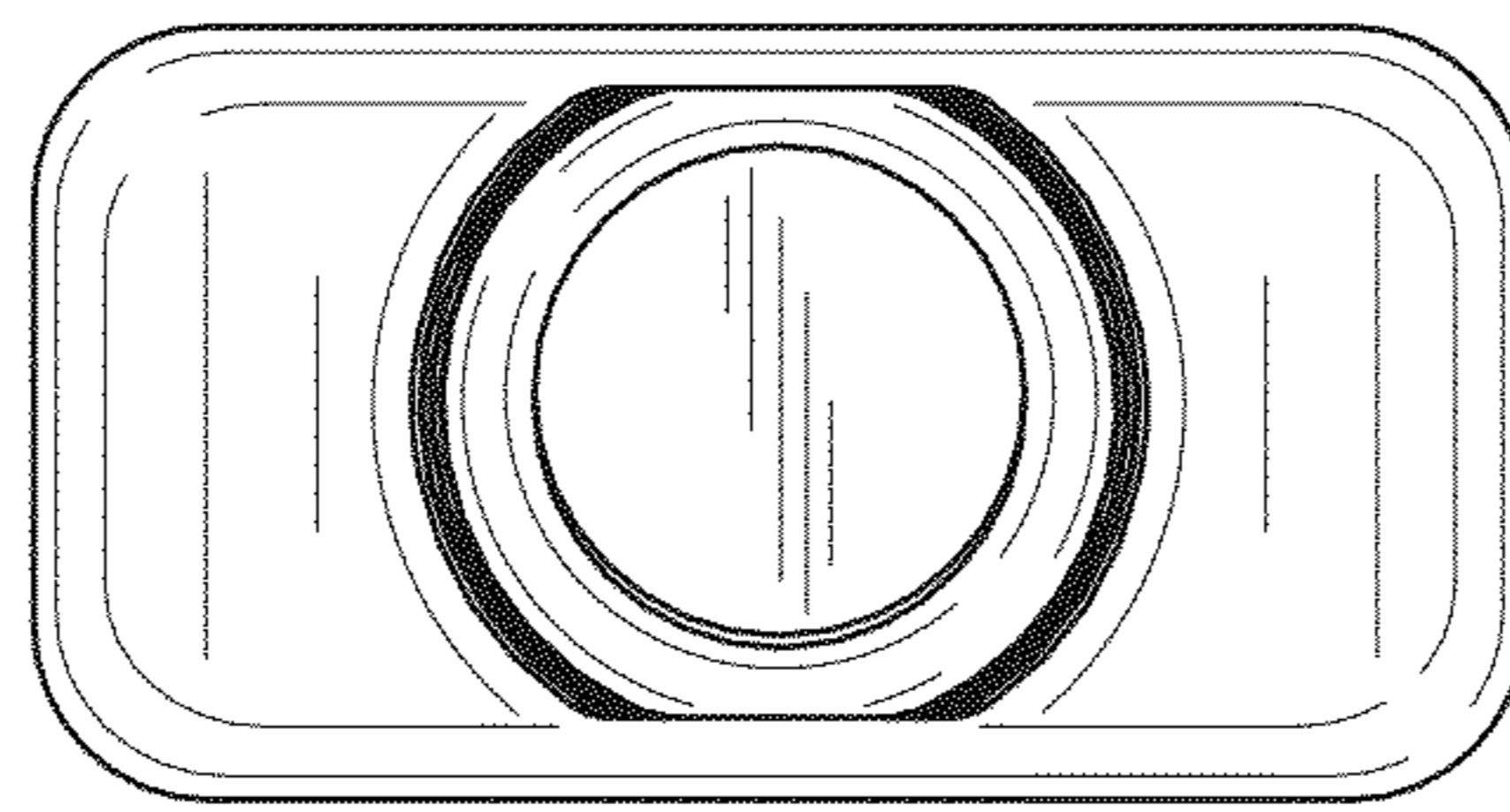


FIG. 2

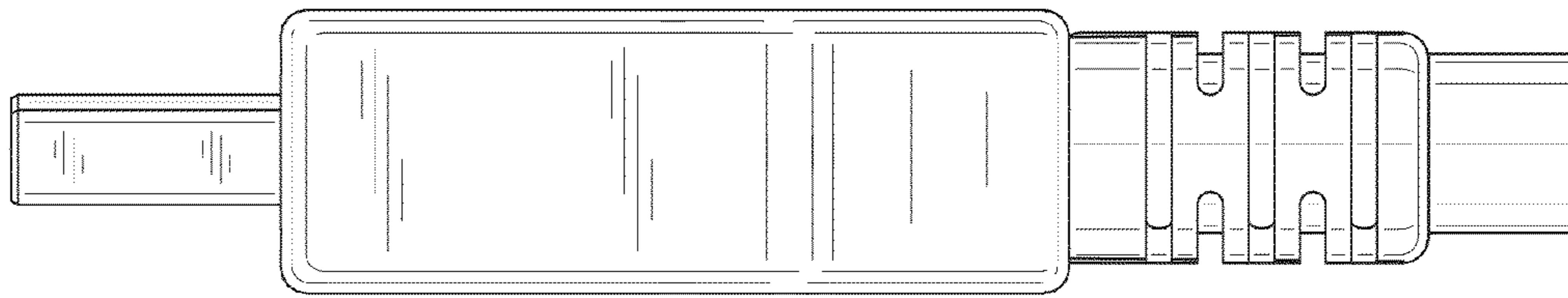


FIG.3

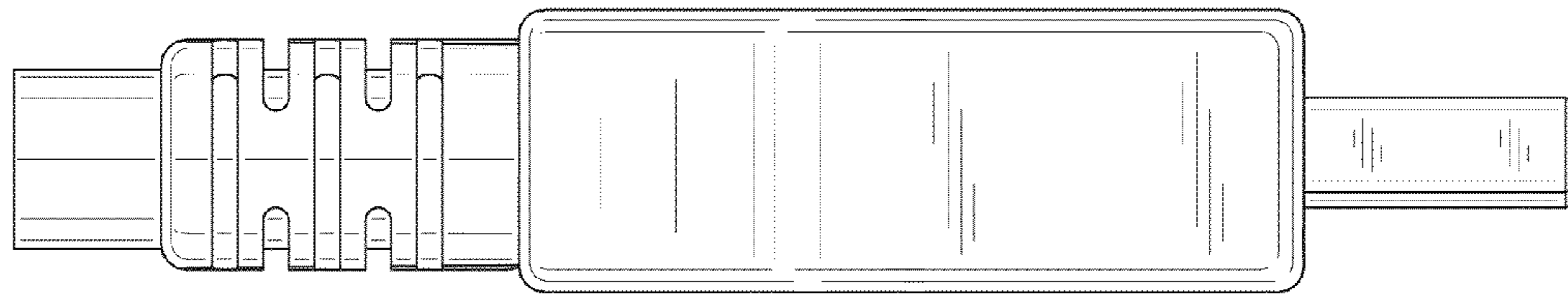


FIG.4

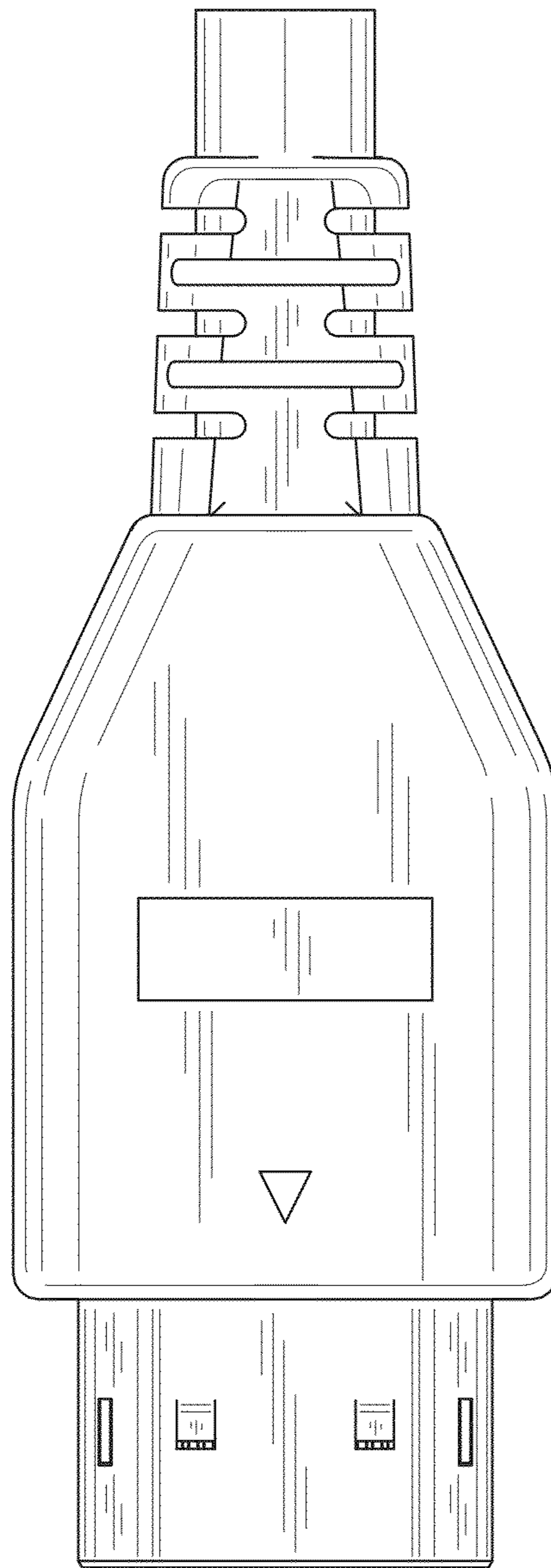


FIG.5



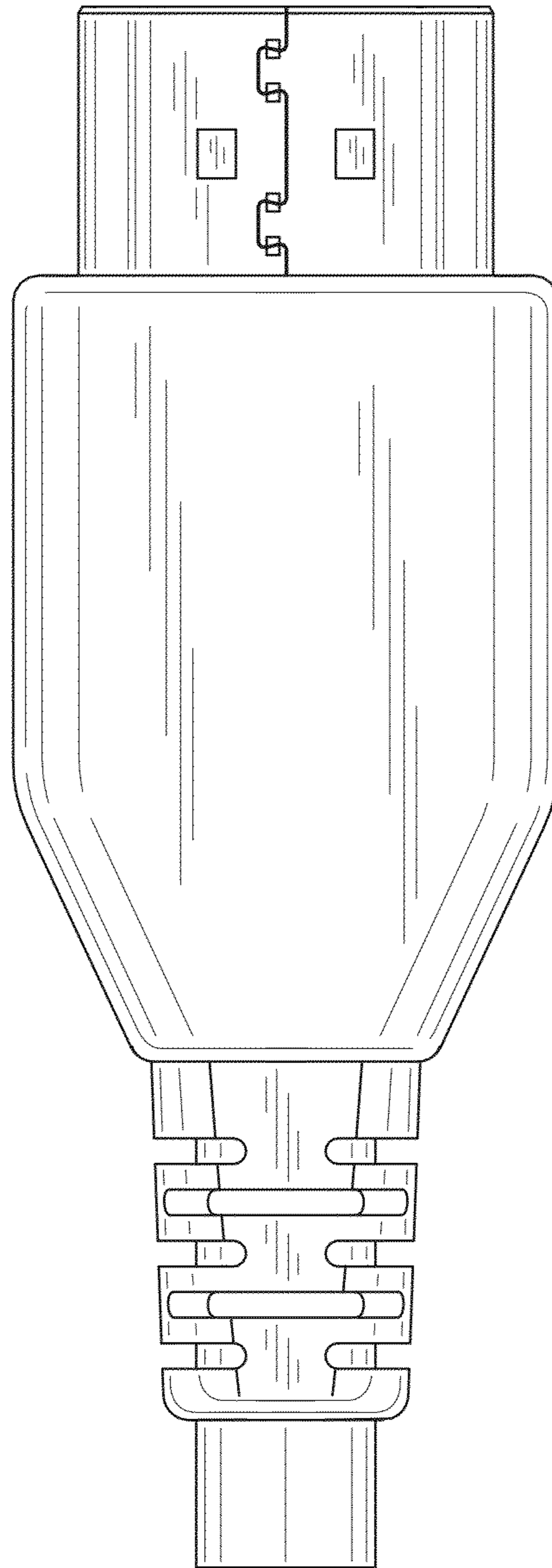


FIG.6



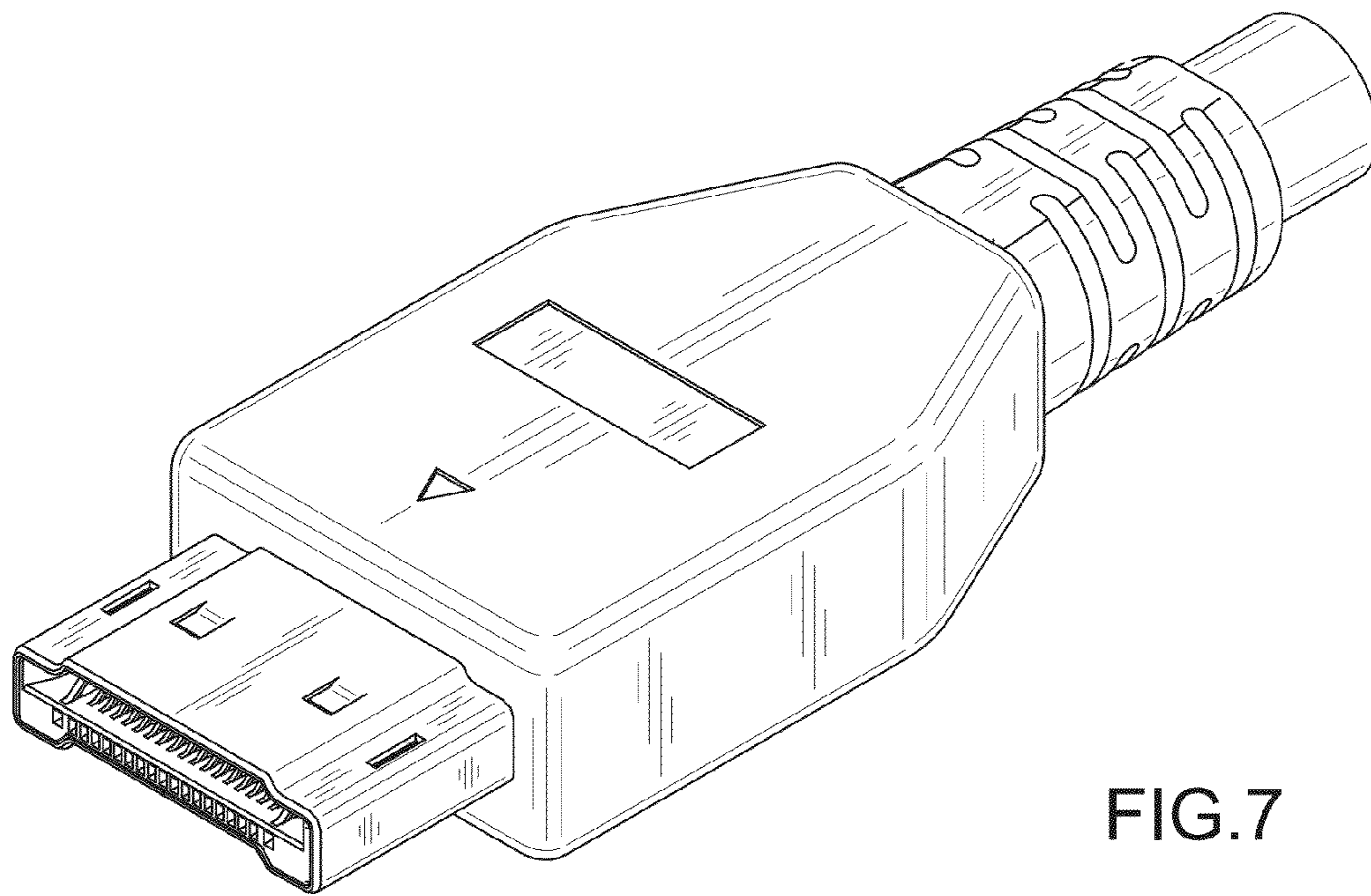


FIG. 7

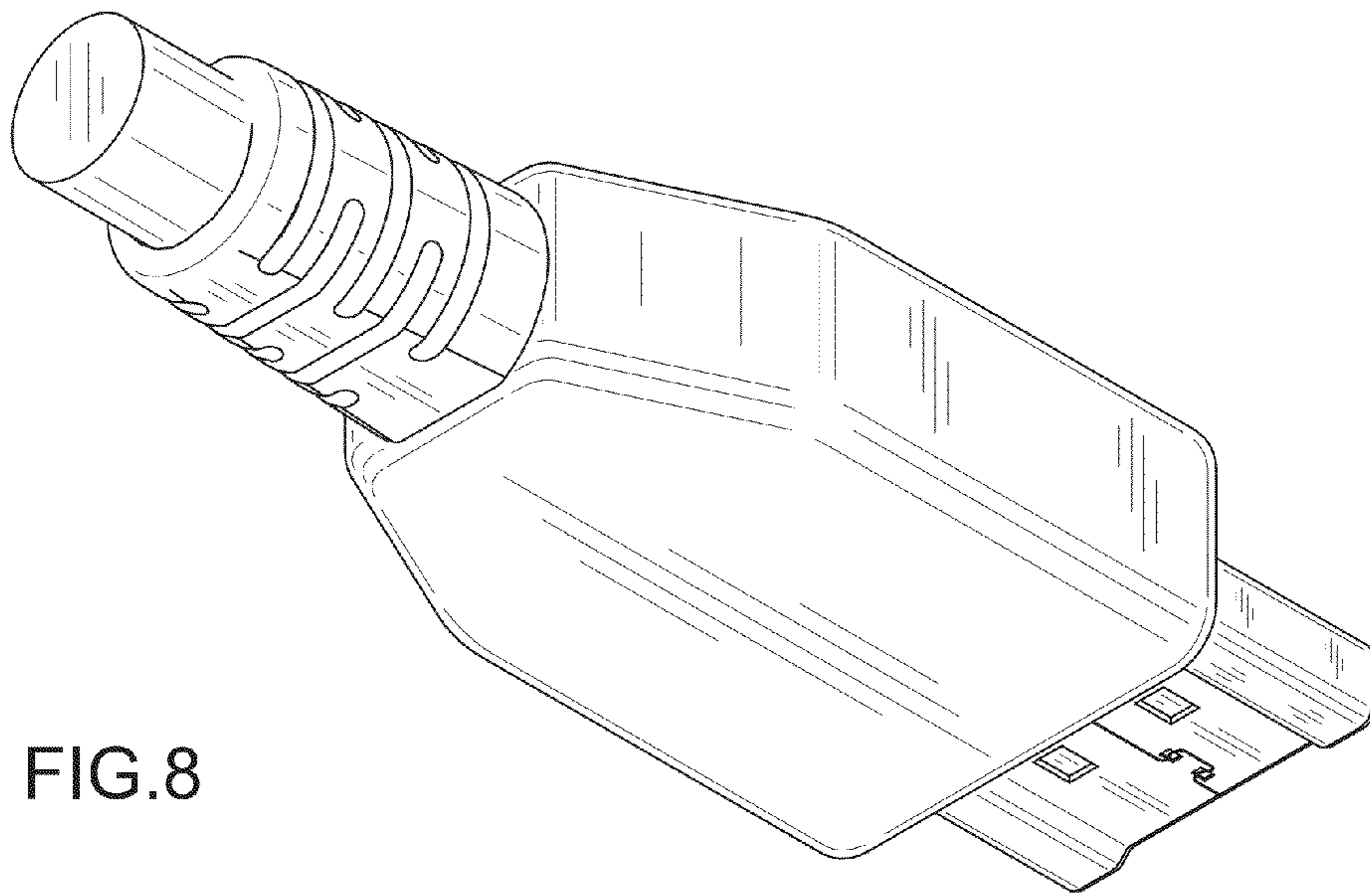


FIG. 8

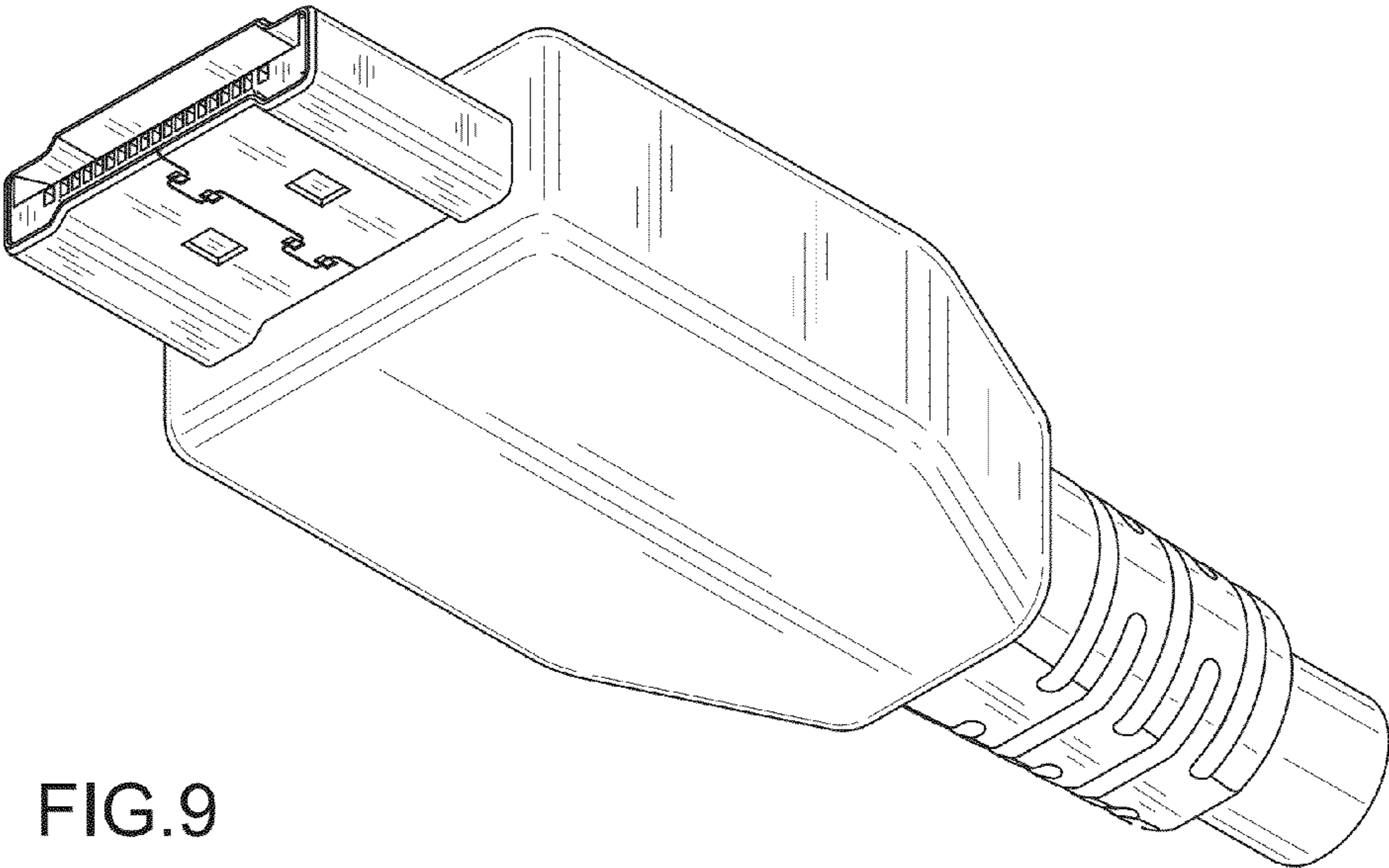


FIG.9

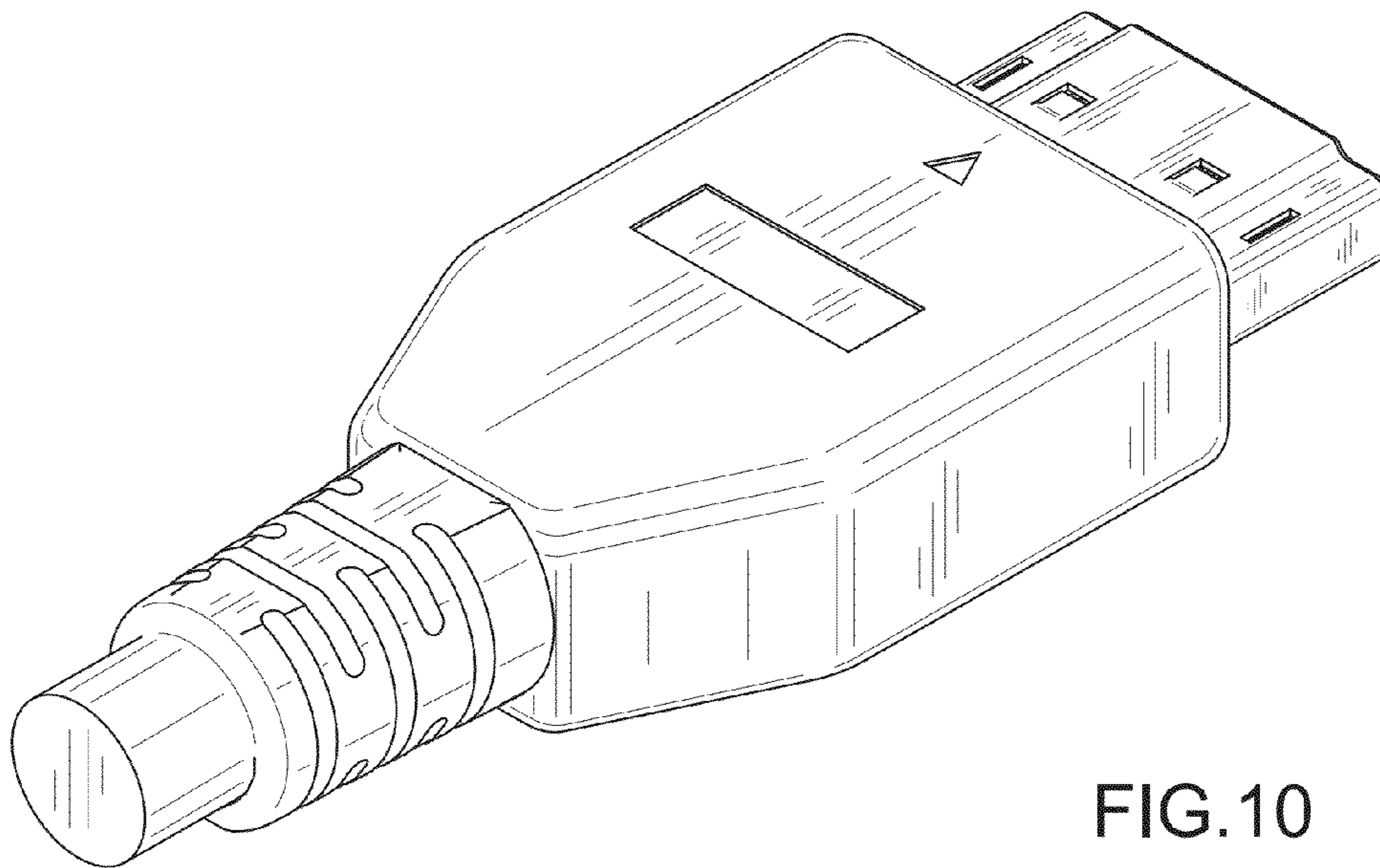


FIG.10