



US00D714729S

(12) **United States Design Patent**
Akana et al.

(10) **Patent No.:** **US D714,729 S**
(45) **Date of Patent:** **** *Oct. 7, 2014**

(54) **ADAPTER**

(75) Inventors: **Jody Akana**, San Francisco, CA (US);
Bartley K. Andre, Menlo Park, CA (US);
Jeremy Bataillou, San Francisco, CA (US);
Daniel J. Coster, San Francisco, CA (US);
Daniele De Iuliis, San Francisco, CA (US);
Evans Hankey, San Francisco, CA (US);
Julian Hoening, San Francisco, CA (US);
Richard P. Howarth, San Francisco, CA (US);
Jonathan P. Ive, San Francisco, CA (US);
Duncan Robert Kerr, San Francisco, CA (US);
Matthew Dean Rohrbach, San Francisco, CA (US);
Peter Russell-Clarke, San Francisco, CA (US);
Christopher J. Stringer, Woodside, CA (US);
Eugene Antony Whang, San Francisco, CA (US);
Rico Zorkendorfer, San Francisco, CA (US)

(73) Assignee: **Apple Inc.**, Cupertino, CA (US)

(*) Notice: This patent is subject to a terminal disclaimer.

(**) Term: **14 Years**

(21) Appl. No.: **29/415,036**

(22) Filed: **Mar. 6, 2012**

(51) **LOC (10) Cl.** **13-03**

(52) **U.S. Cl.**
USPC **D13/147**

(58) **Field of Classification Search**
USPC D13/133, 146, 147, 153, 154, 155, 156,
D13/184, 199; D14/432, 433, 435, 435.1,
D14/436, 437, 438; 439/66, 74, 77, 79, 180,
439/188, 246, 278, 344-346, 350-353, 374,
439/381, 497, 527, 533, 607.01, 607.02,
439/607.03, 607.04, 607.45, 607.49,
439/607.58, 660, 668, 680, 865-866, 887,
439/874, 883, 892, 894

See application file for complete search history.

(56) **References Cited**

U.S. PATENT DOCUMENTS

5,179,501 A 1/1993 Ocken et al.
5,568,006 A 10/1996 Luff et al.

(Continued)

FOREIGN PATENT DOCUMENTS

CN 300864877D 12/2008
CN 201130377608.3 5/2012
JP D1121650 S 9/2001

Primary Examiner — Daniel Bui

(74) *Attorney, Agent, or Firm* — Sterne, Kessler, Goldstein & Fox P.L.L.C.

(57) **CLAIM**

The ornamental design for an adapter, as shown and described.

DESCRIPTION

The patent or application file contains at least one drawing executed in color. Copies of this patent or patent application publication with color drawing(s) will be provided by the Office upon request and payment of the necessary fee. Color is not being claimed.

FIG. 1 is a top, rear, and side perspective view of an adapter showing our new design;

FIG. 2 is a top, front, and side perspective view thereof;

FIG. 3 is a top view thereof;

FIG. 4 is a bottom view thereof;

FIG. 5 is a side view thereof;

FIG. 6 is another side view thereof;

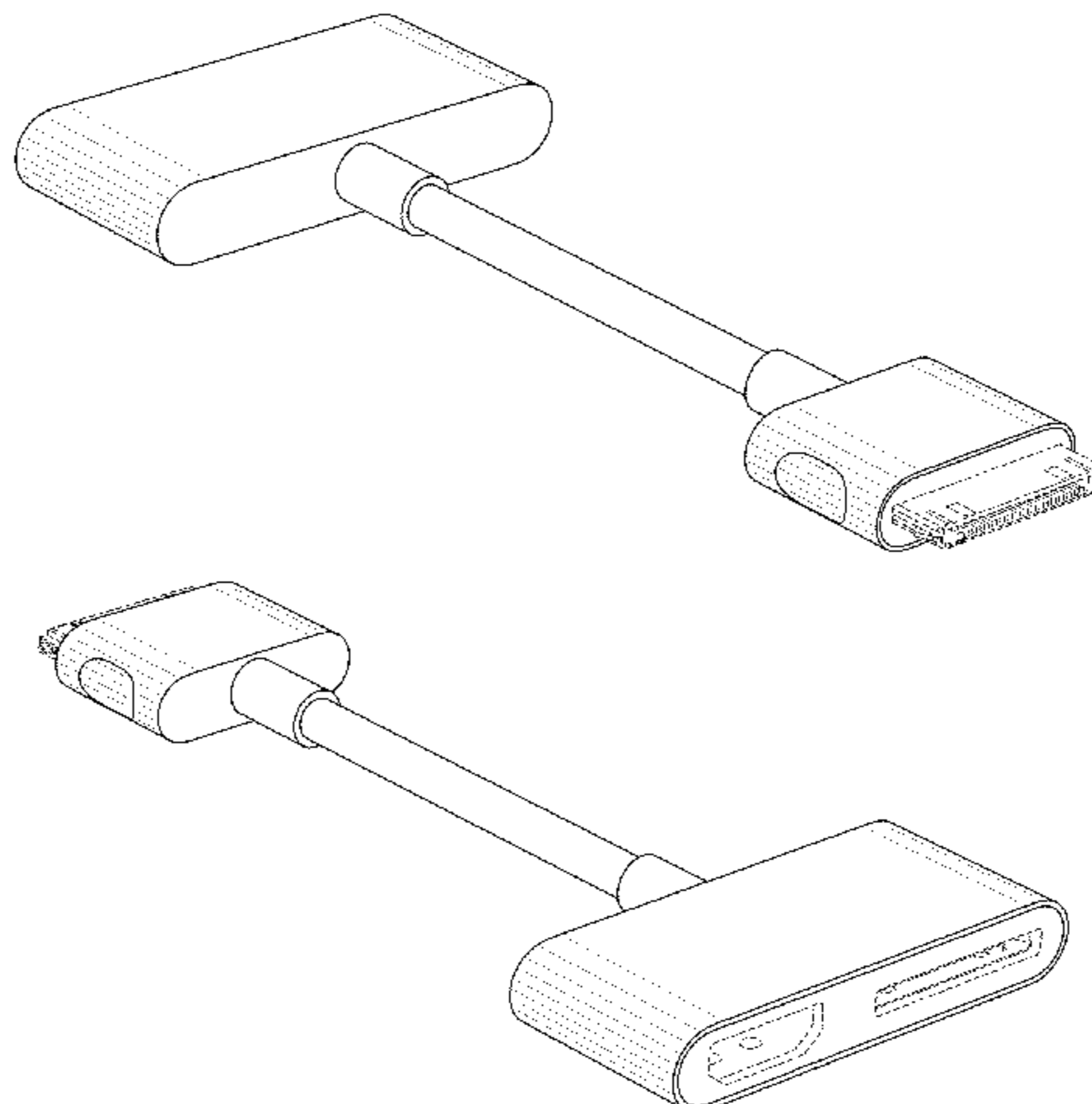
FIG. 7 is a rear view thereof; and,

FIGS. 8 is a front view thereof.

The broken line portion of the figure drawings is included for the purpose of illustrating environment and forms no part of the claimed design.

The shade lines in the Figures show contour and not surface ornamentation.

1 Claim, 5 Drawing Sheets
(5 of 5 Drawing Sheet(s) Filed in Color)



US D714,729 S

Page 2

(56)

References Cited

U.S. PATENT DOCUMENTS

D416,233 S 11/1999 Tsai
D446,499 S 8/2001 Andre et al.
D454,110 S 3/2002 Andre et al.

D552,604 S 10/2007 Andre et al.
D588,545 S 3/2009 Andre et al.
D601,500 S 10/2009 Green et al.
D683,703 S * 6/2013 Akana et al. D13/147

* cited by examiner

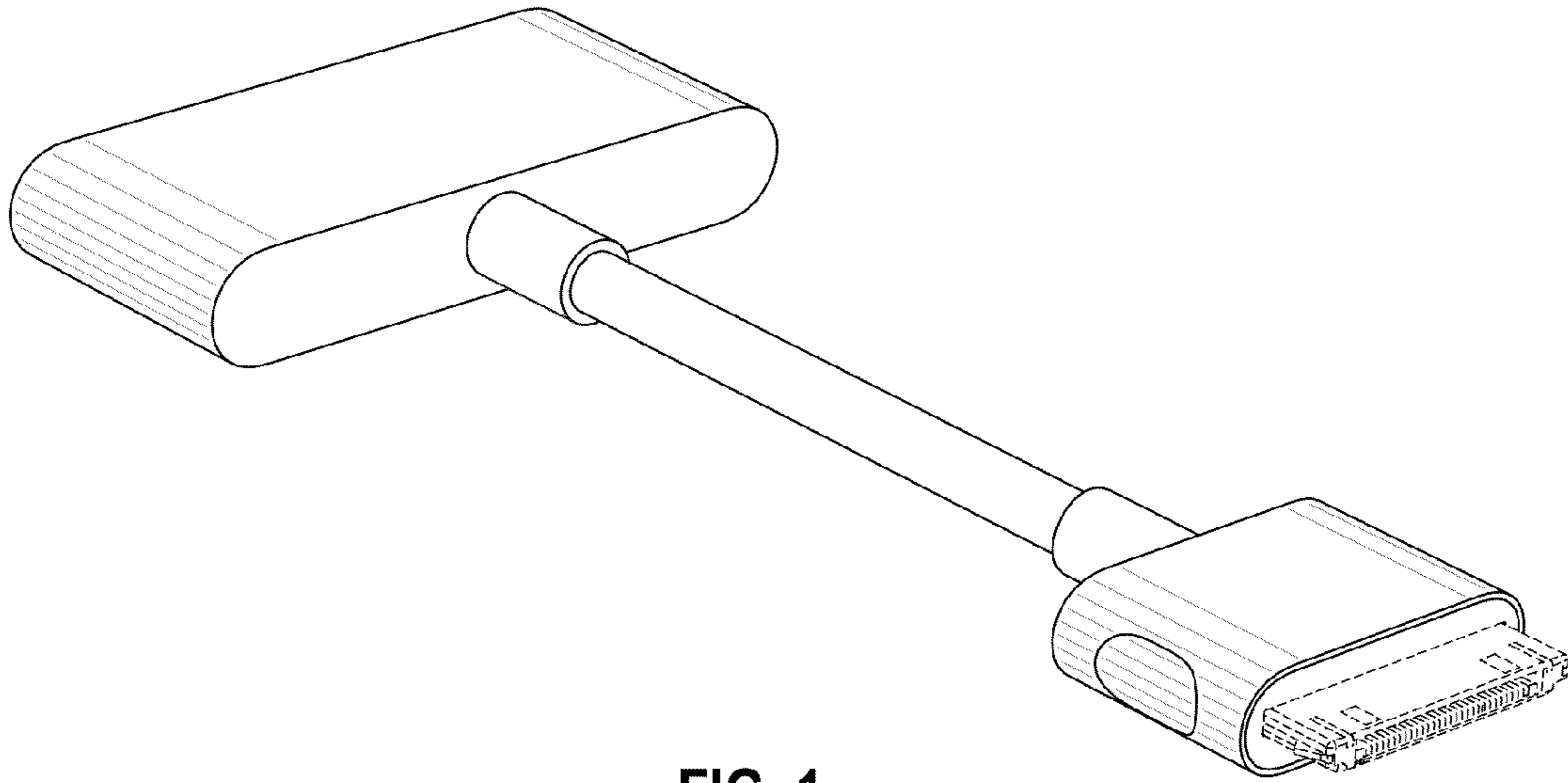


FIG. 1

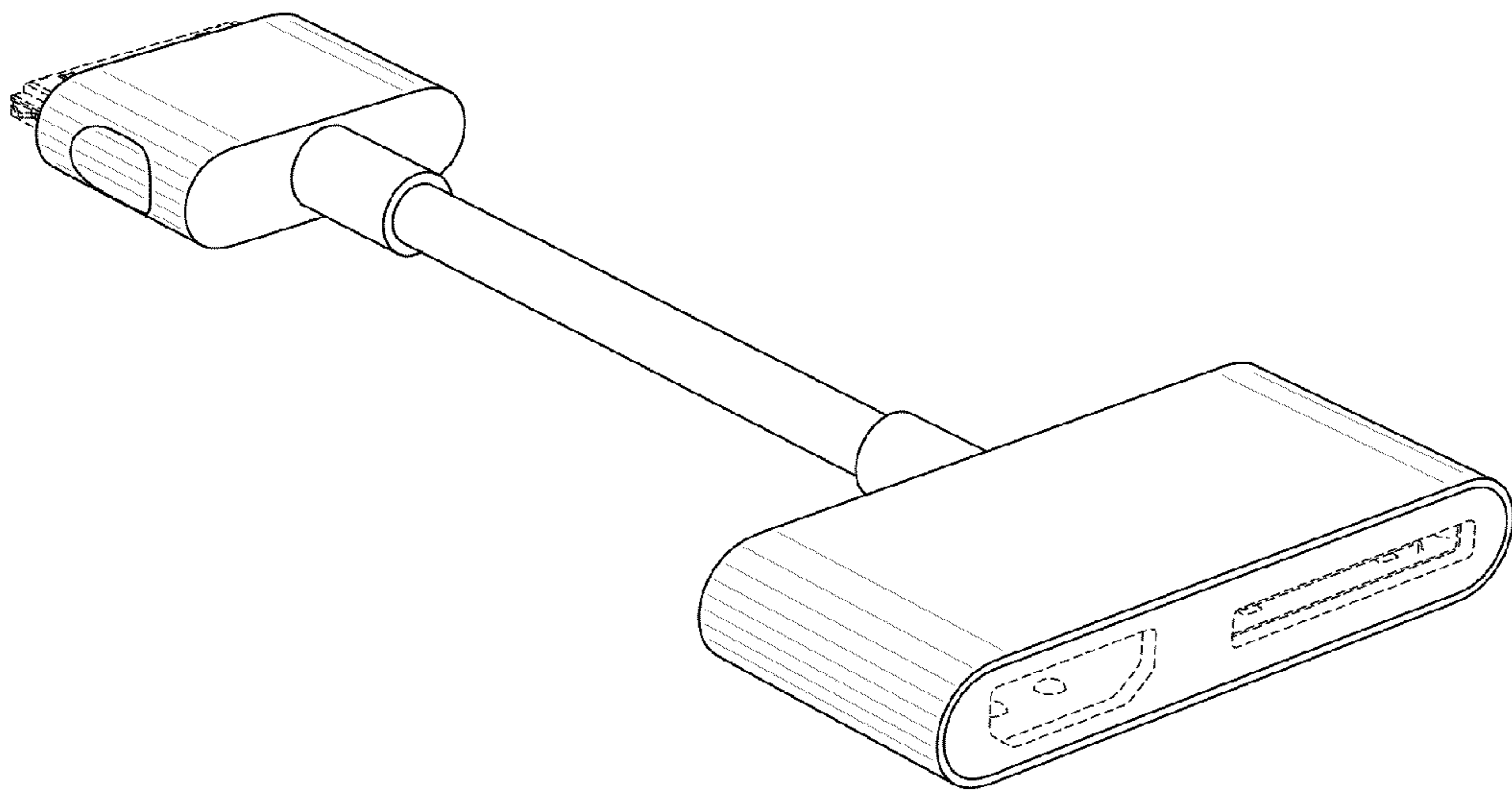


FIG. 2

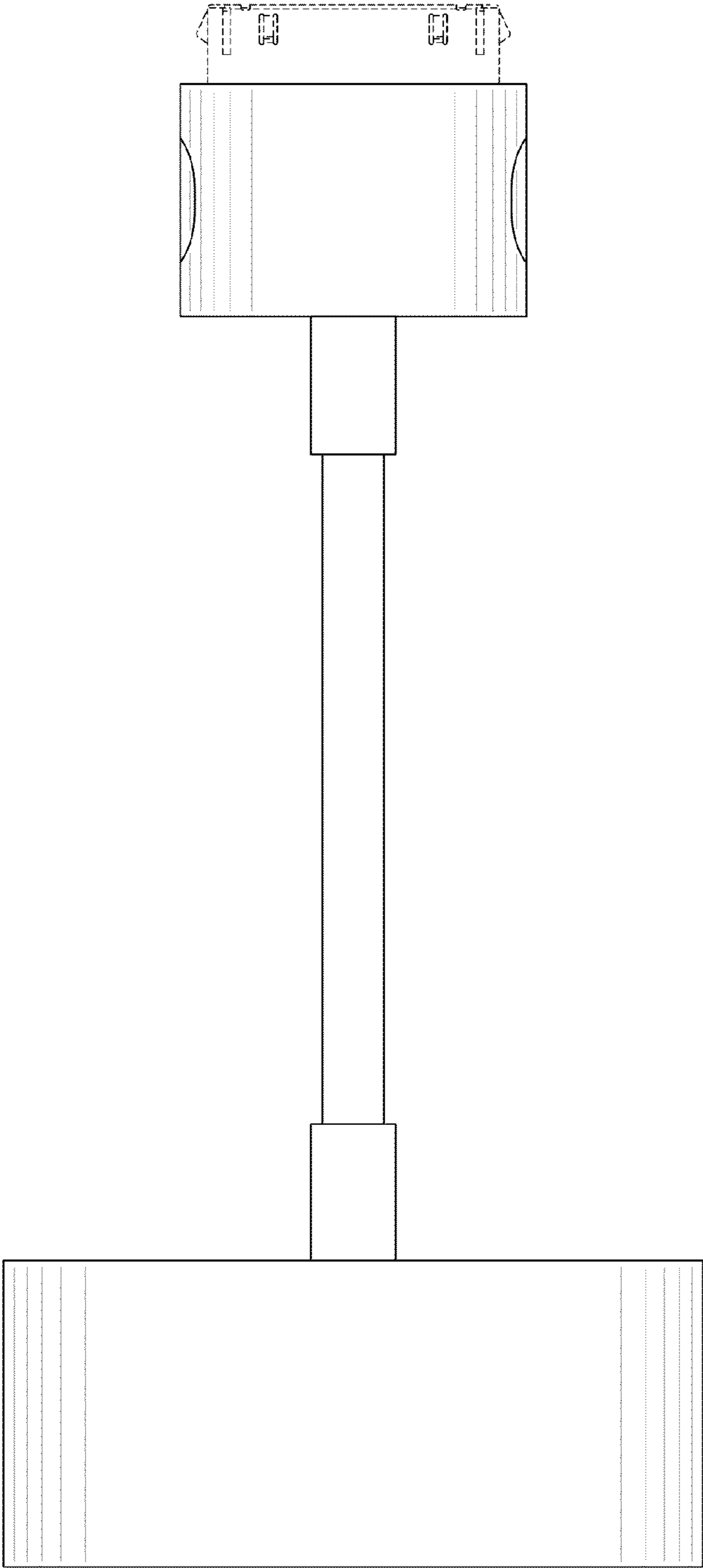


FIG. 3

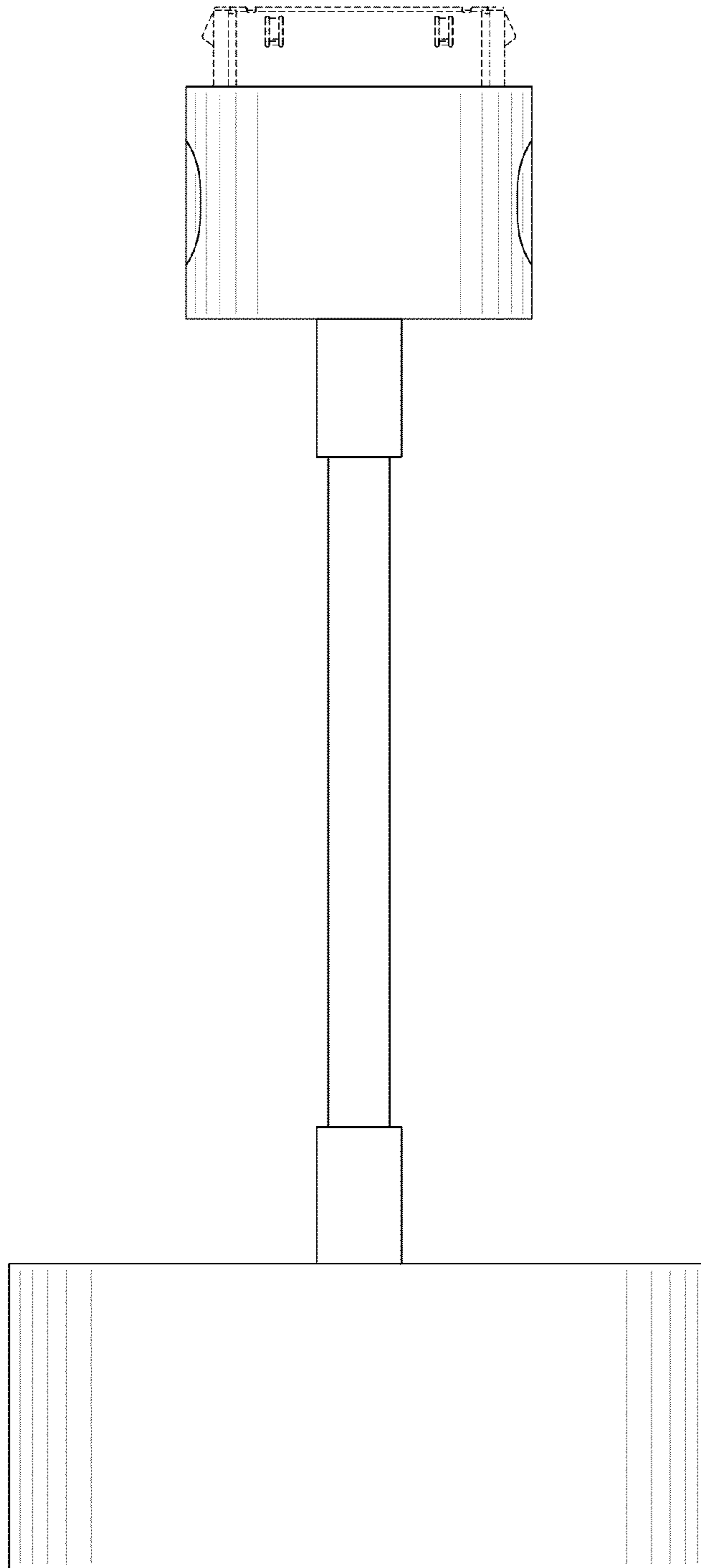


FIG. 4

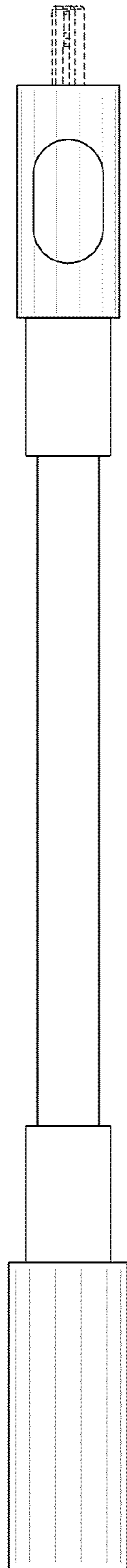


FIG. 5

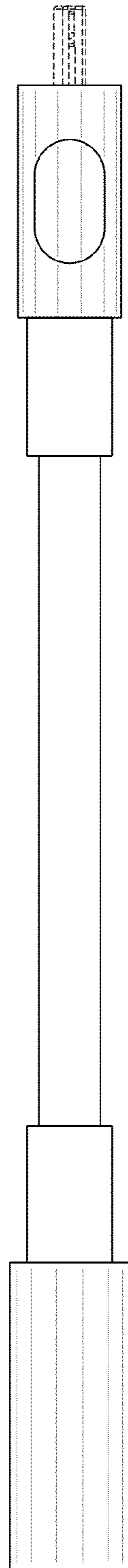


FIG. 6

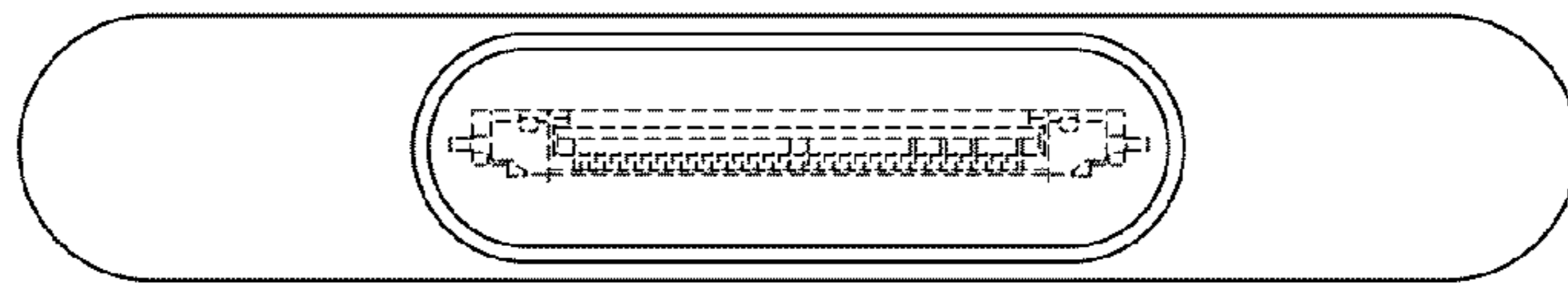


FIG. 7



FIG. 8