



US00D714728S

(12) **United States Design Patent**
Gentil

(10) **Patent No.:** **US D714,728 S**

(45) **Date of Patent:** **** Oct. 7, 2014**

(54) **HDMI DONGLE**

(75) **Inventor:** **Gregoire Gentil**, San Francisco, CA
(US)

(73) **Assignee:** **Gregoire Gentil**, San Francisco, CA
(US)

(**) **Term:** **14 Years**

(21) **Appl. No.:** **29/396,323**

(22) **Filed:** **Jun. 28, 2011**

(51) **LOC (10) Cl.** **13-03**

(52) **U.S. Cl.**
USPC **D13/147**

(58) **Field of Classification Search**
USPC D13/133, 146, 147, 153, 154, 184, 199;
439/79, 248, 258, 274, 350, 352, 353,
439/354, 357, 358, 374, 447, 476.1, 594,
439/598, 607.01, 607.04, 607.05, 607.17,
439/607.25, 607.34, 607.41, 607.53, 656,
439/660, 668, 680, 711, 745, 752

See application file for complete search history.

(56) **References Cited**

U.S. PATENT DOCUMENTS

| | | | | | | |
|----------|---|---|--------|-----------------|-------|---------|
| D446,499 | S | * | 8/2001 | Andre et al. | | D13/110 |
| D454,110 | S | * | 3/2002 | Andre et al. | | D13/110 |
| D588,545 | S | * | 3/2009 | Andre et al. | | D13/154 |
| D599,740 | S | * | 9/2009 | Guccione et al. | | D13/147 |
| D619,963 | S | * | 7/2010 | Hou | | D13/133 |
| D665,734 | S | * | 8/2012 | Fitch et al. | | D13/107 |
| D675,571 | S | * | 2/2013 | Suzuki | | D13/147 |

* cited by examiner

Primary Examiner — Daniel Bui

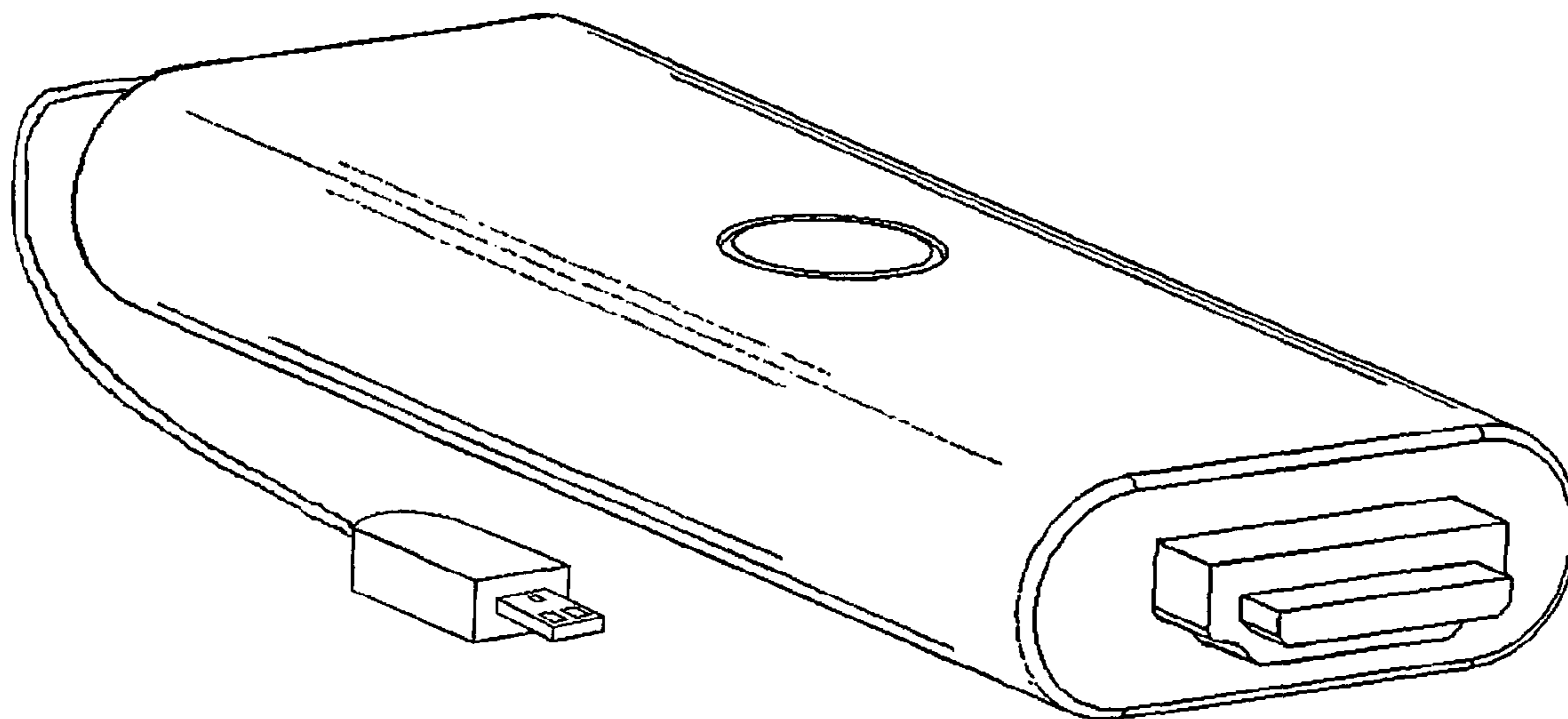
(57) **CLAIM**

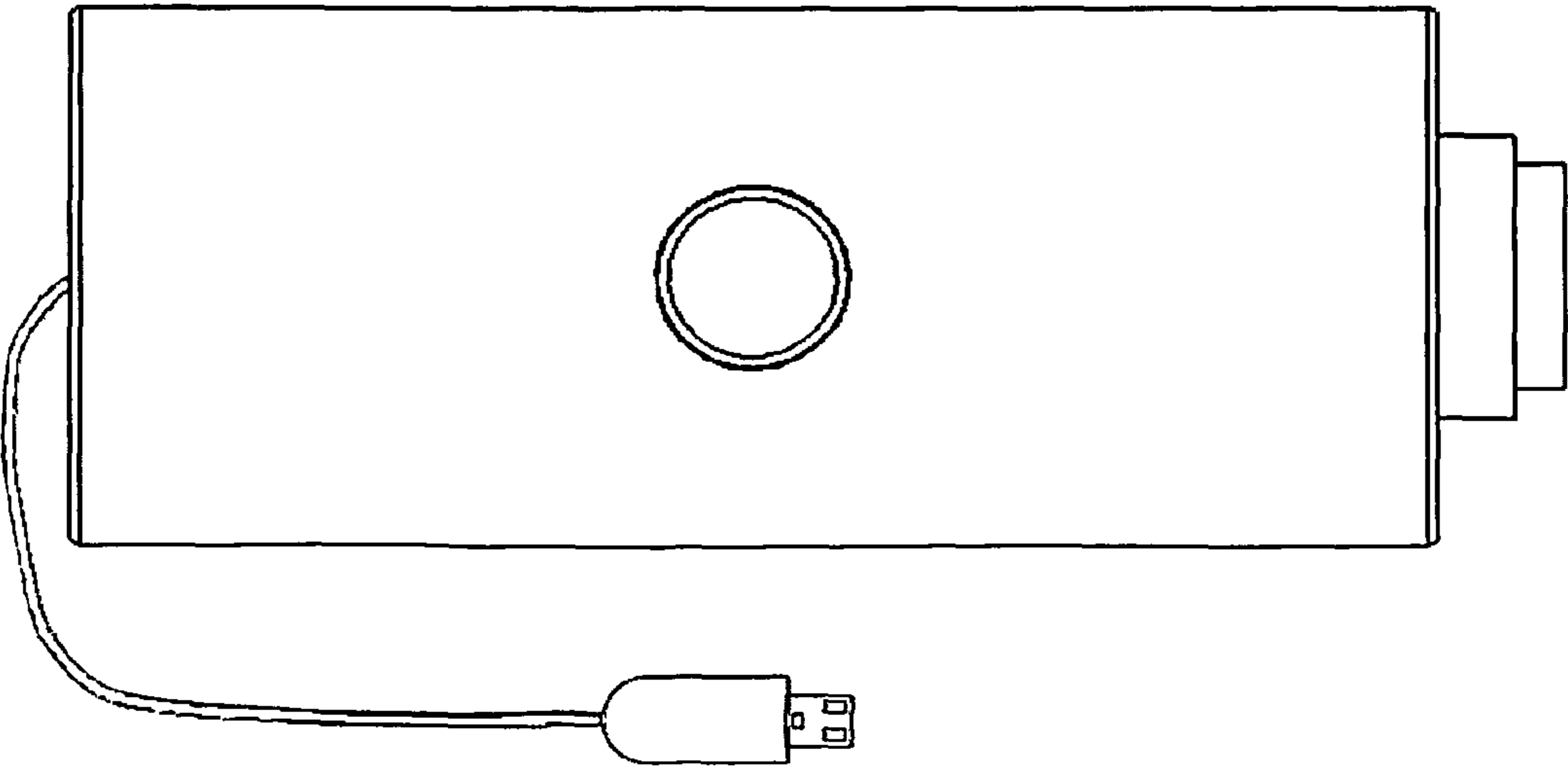
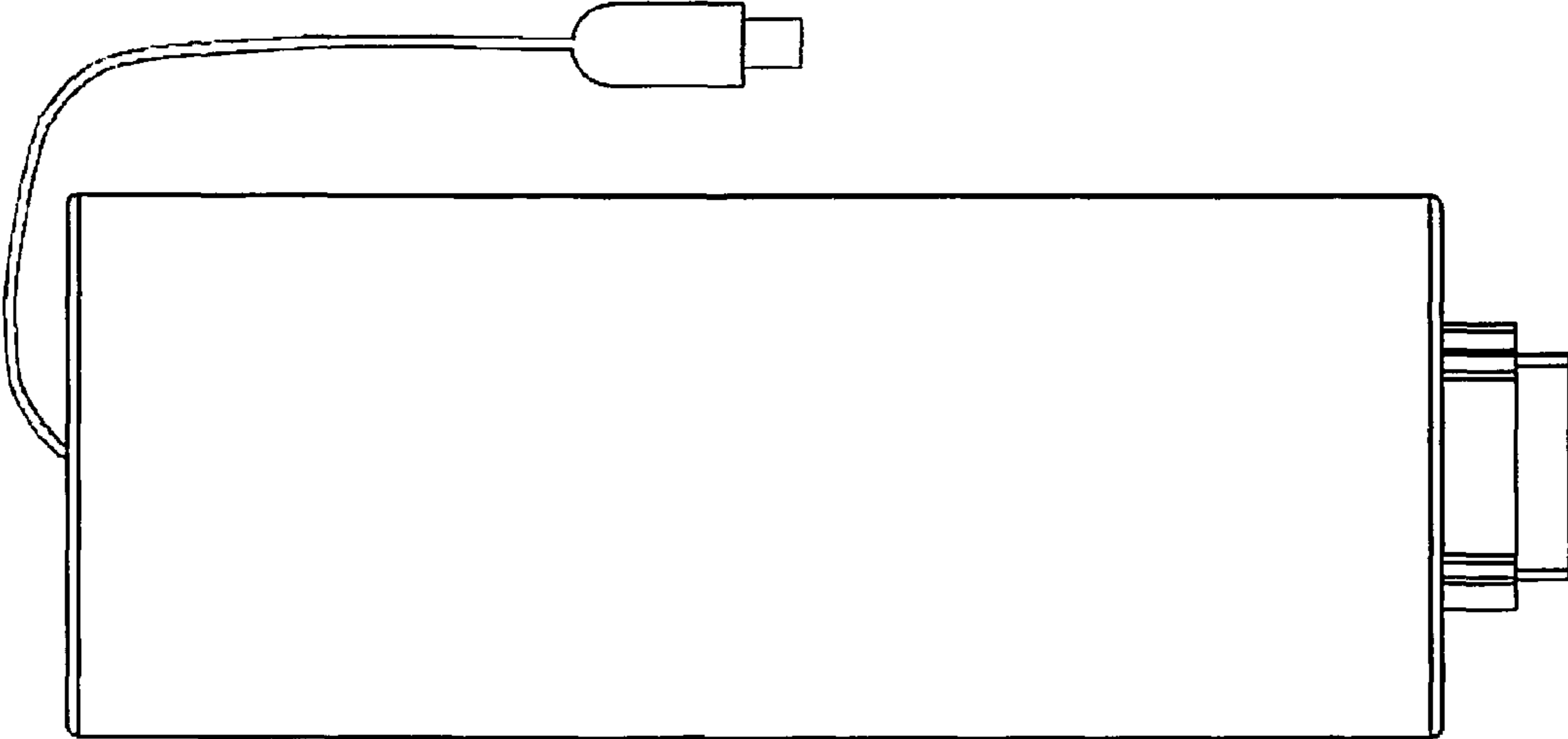
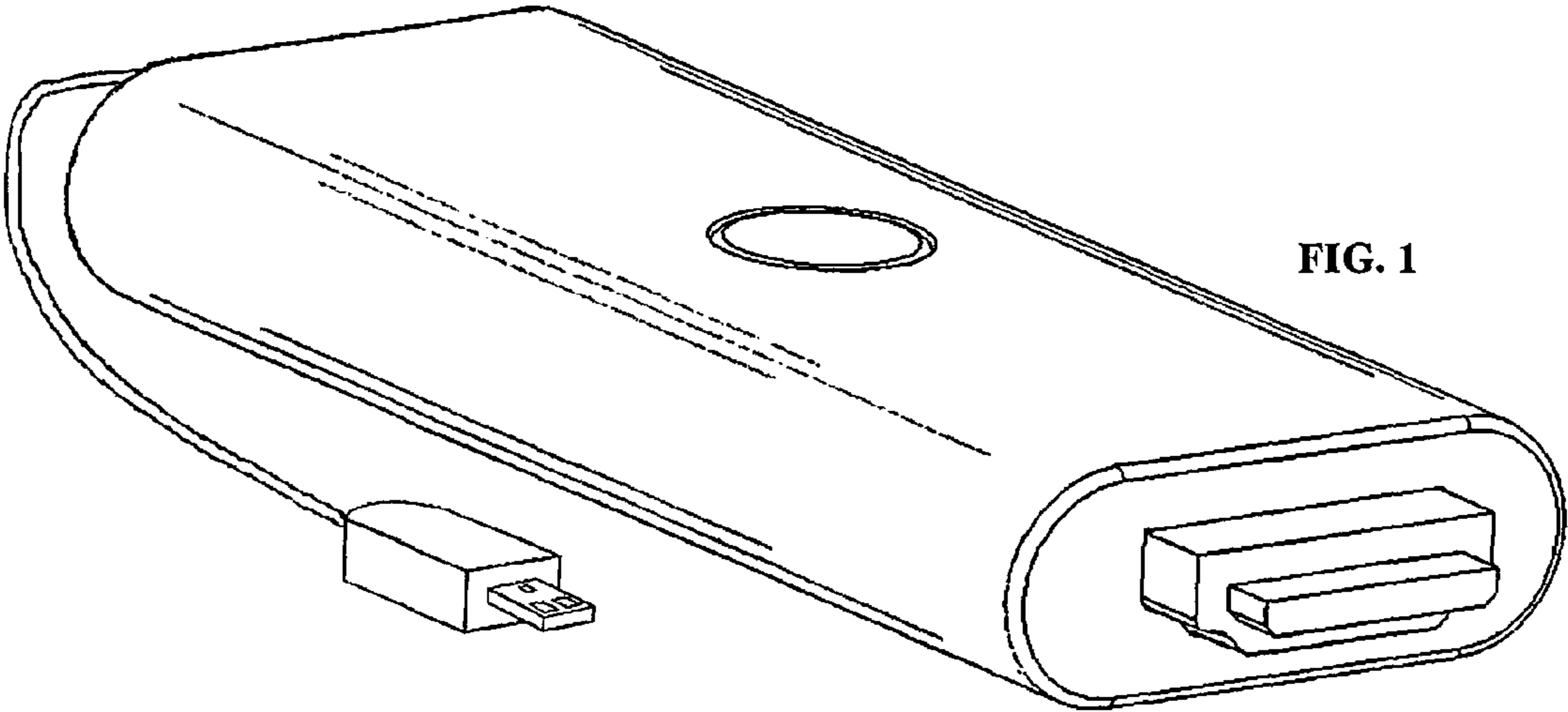
The ornamental design for an HDMI dongle, as shown and described.

DESCRIPTION

FIG. 1 is a front, top, and right perspective view of an HDMI dongle showing my new design;
FIG. 2 is a bottom plan view thereof;
FIG. 3 is a top plan view thereof;
FIG. 4 is a right side elevation view thereof;
FIG. 5 is a front elevation view thereof;
FIG. 6 is a back elevation view thereof; and,
FIG. 7 is a left side elevation view thereof.

1 Claim, 4 Drawing Sheets





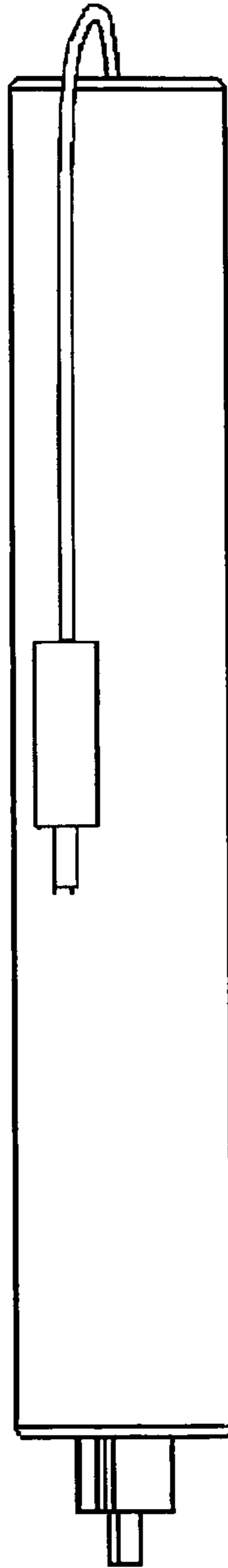


FIG. 4

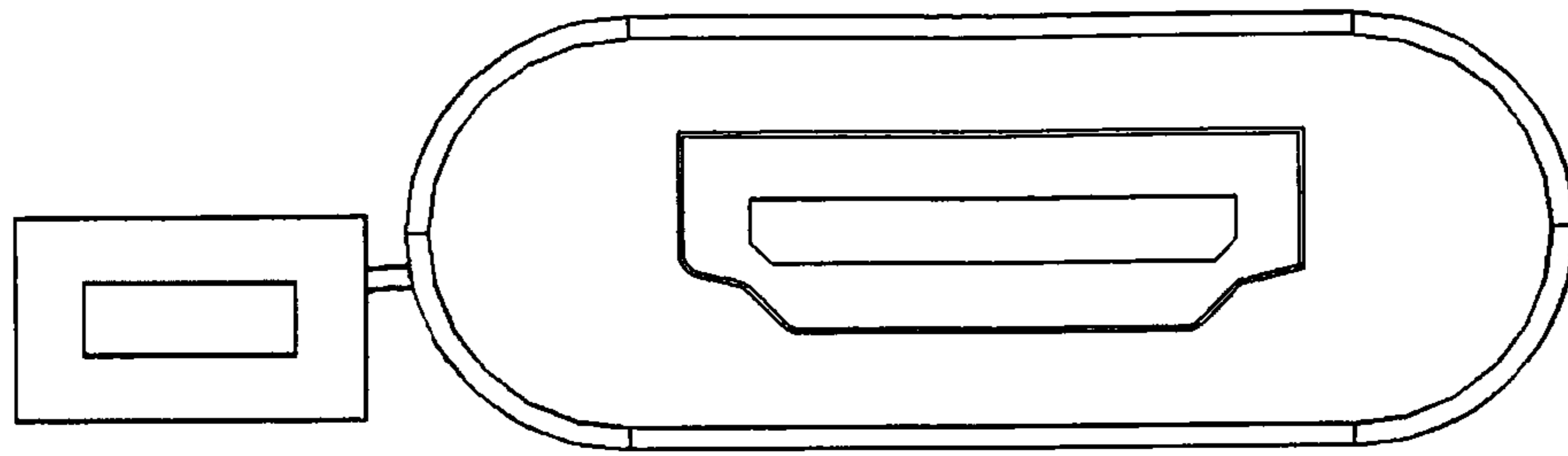


FIG. 5

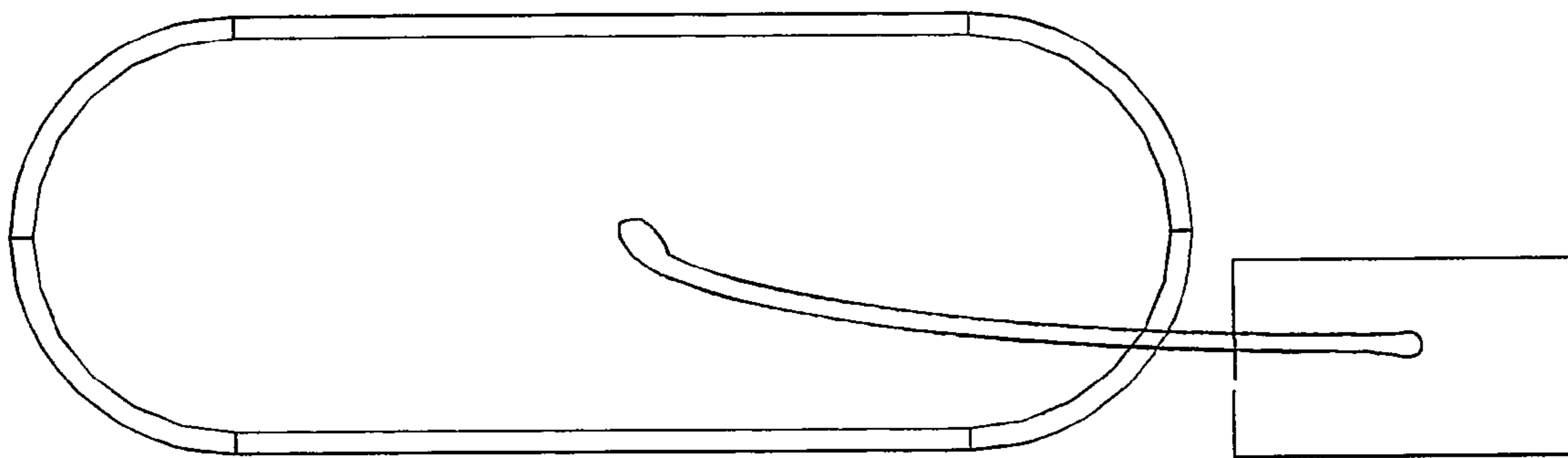


FIG. 6

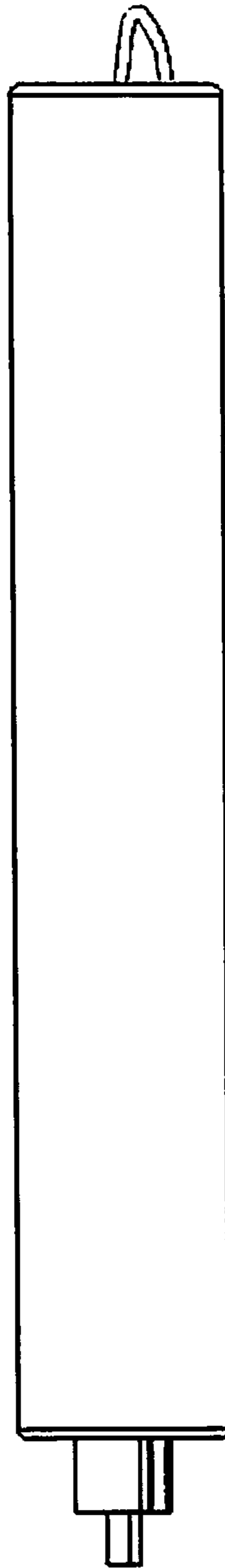


FIG. 7