



US00D714720S

(12) **United States Design Patent**
Liu et al.

(10) **Patent No.:** **US D714,720 S**
(45) **Date of Patent:** **** Oct. 7, 2014**

(54) **POWER CONVERTER**

(71) Applicant: **Shenzhen JingQuanHua Electronics Co., Ltd.**, Shenzhen (CN)
(72) Inventors: **Jianfei Liu**, Shenzhen (CN); **Zhangong Li**, Shenzhen (CN)
(73) Assignee: **Shenzhen JingQuanHua Electronics Co., Ltd.**, Shenzhen (CN)

(**) Term: **14 Years**

(21) Appl. No.: **29/454,886**

(22) Filed: **May 15, 2013**

(30) **Foreign Application Priority Data**

Jan. 22, 2013 (CN) 2013 3 0018351

(51) **LOC (10) Cl.** **13-02**

(52) **U.S. Cl.**
USPC **D13/110**

(58) **Field of Classification Search**
USPC D13/110, 101, 107, 123, 133, 137.2, D13/138.1, 184, 199; D14/240, 358, 432, D14/433; 307/150, 151; 320/111, 114; 361/601, 625; 363/15, 34, 146; 439/5, 439/131, 172, 173, 668, 669

See application file for complete search history.

(56) **References Cited**

U.S. PATENT DOCUMENTS

6,042,400	A	*	3/2000	Queffelec et al.	439/131
6,086,395	A	*	7/2000	Lloyd et al.	439/172
D428,862	S	*	8/2000	Queffelec et al.	D13/184
D485,805	S	*	1/2004	Ho	D13/110
D567,173	S	*	4/2008	Jidaisho	D13/110
D567,174	S	*	4/2008	Jidaisho	D13/110
D582,846	S	*	12/2008	Lett	D13/110
D601,501	S	*	10/2009	Kaibara et al.	D13/110

* cited by examiner

Primary Examiner — Derrick Holland

(74) *Attorney, Agent, or Firm* — Anova Law Group, PLLC

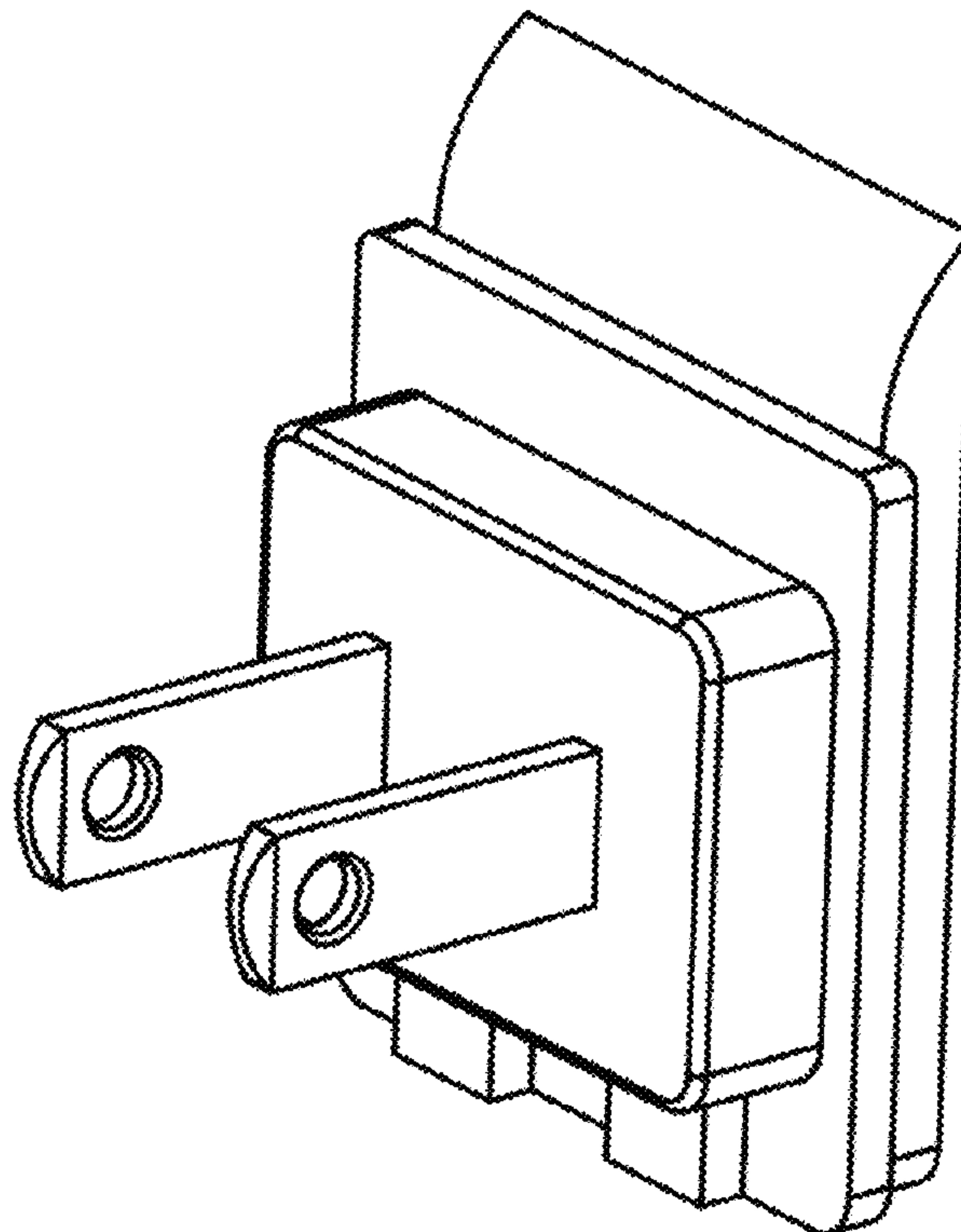
(57) **CLAIM**

The ornamental design for a power converter, as shown and described.

DESCRIPTION

FIG. 1 is a perspective view of a power converter in accordance with the present invention;
FIG. 2 is another perspective view of the power converter in accordance with the present invention;
FIG. 3 is a front view of the power converter;
FIG. 4 is a rear view of the power converter;
FIG. 5 is a left view of the power converter;
FIG. 6 is a top view of the power converter; and,
FIG. 7 is a bottom view of the power converter.
A right view of the power converter is symmetric to the left view and, thus, omitted herein.

1 Claim, 6 Drawing Sheets



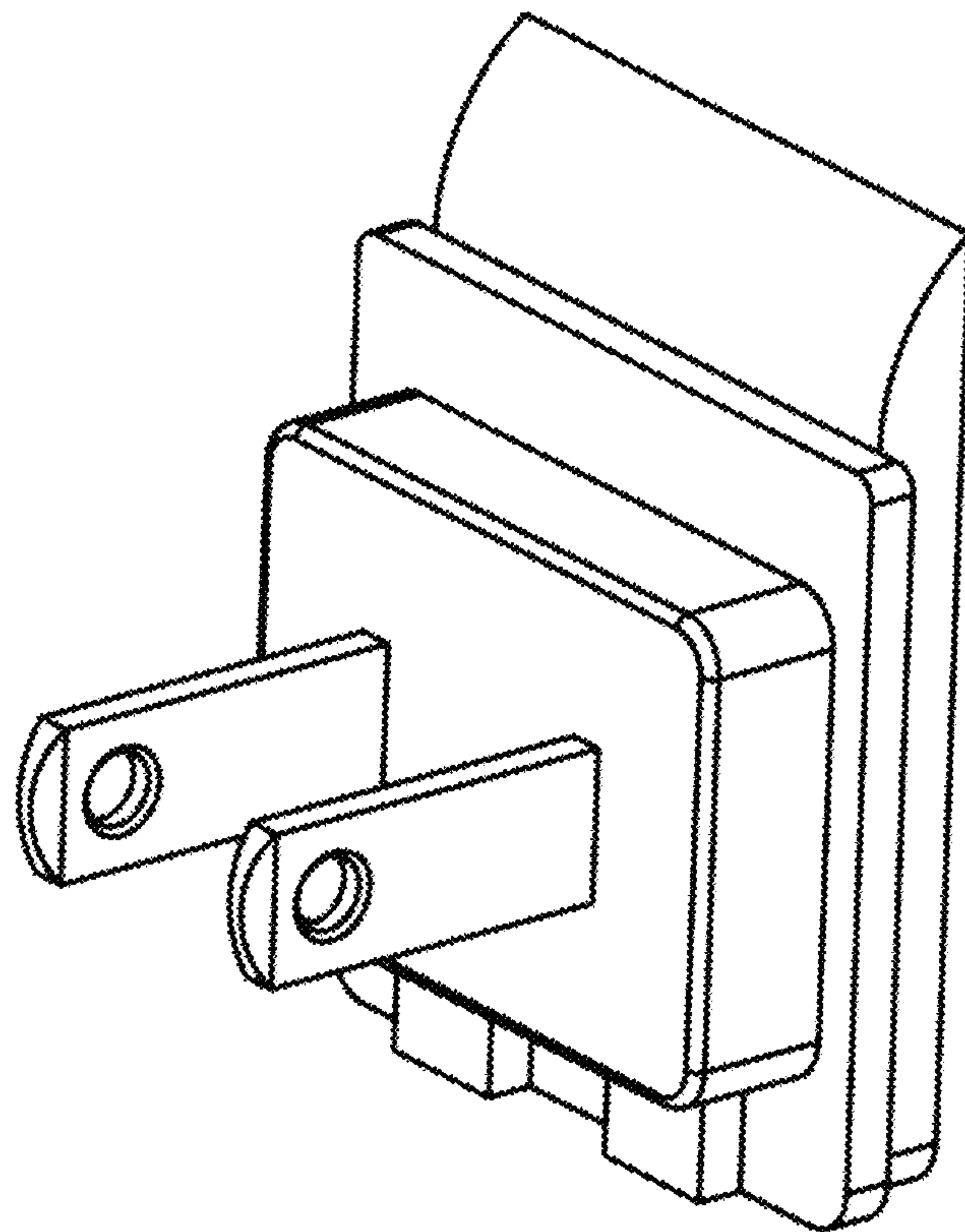


FIG. 1

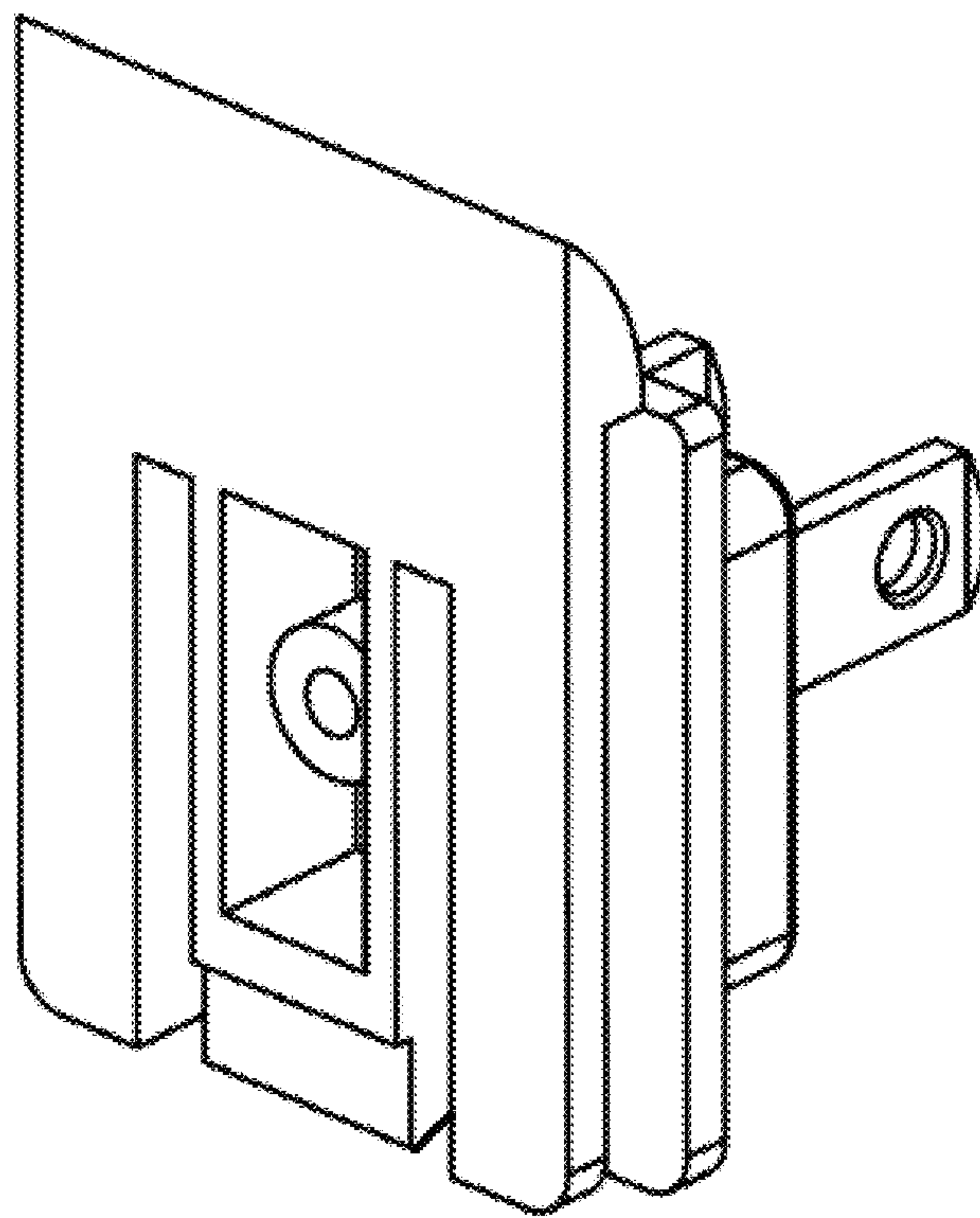


FIG. 2

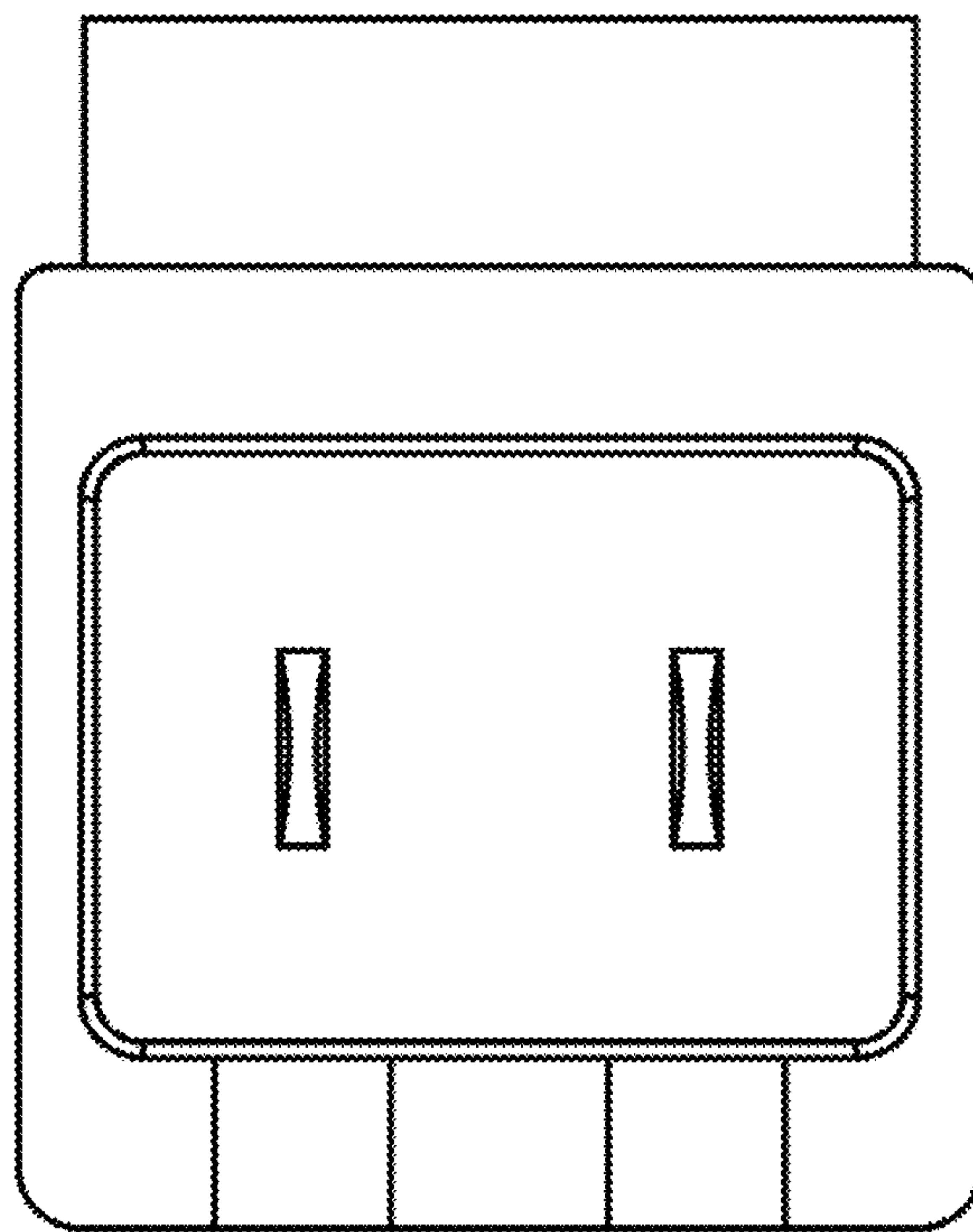


FIG. 3

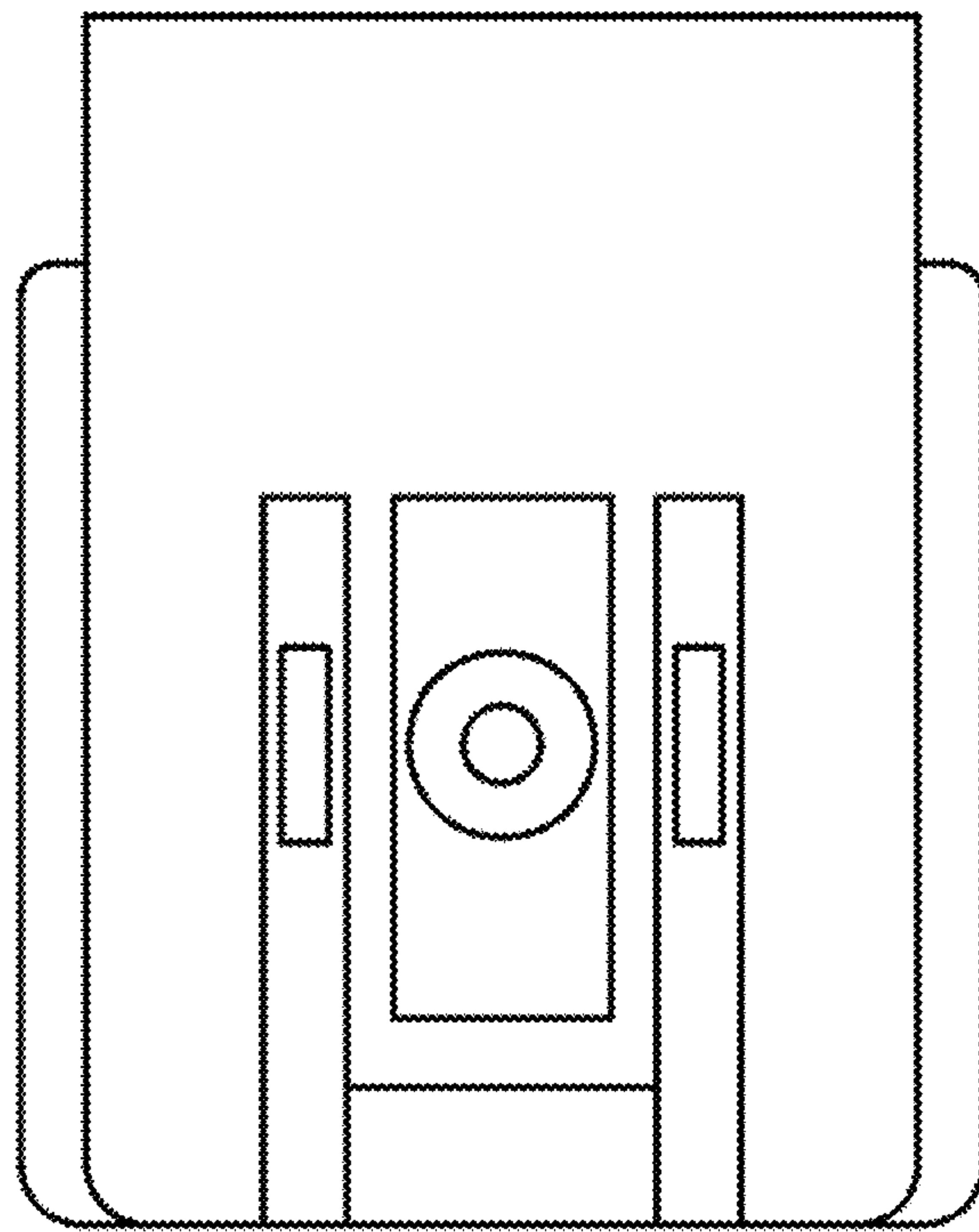


FIG. 4

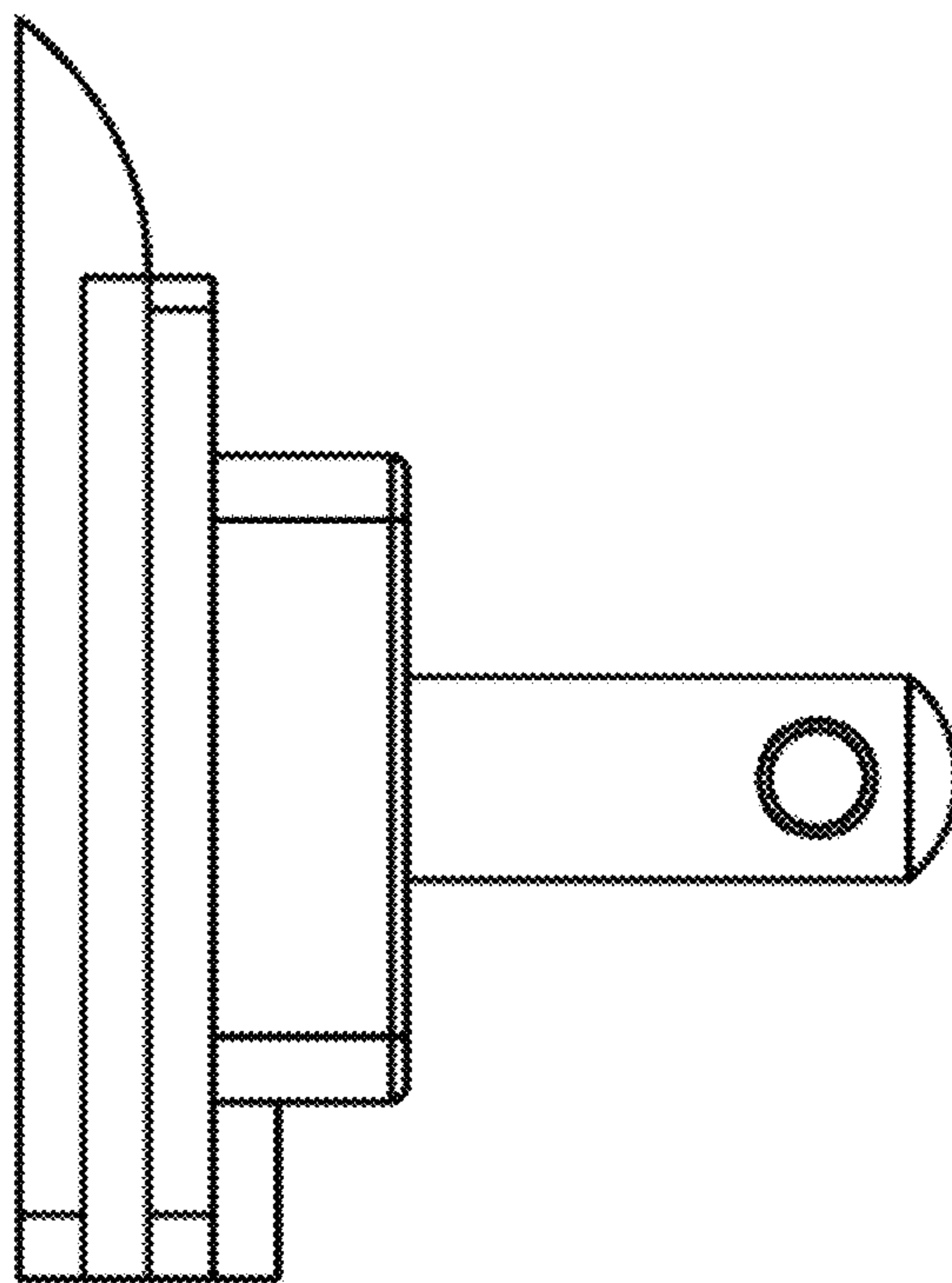


FIG. 5

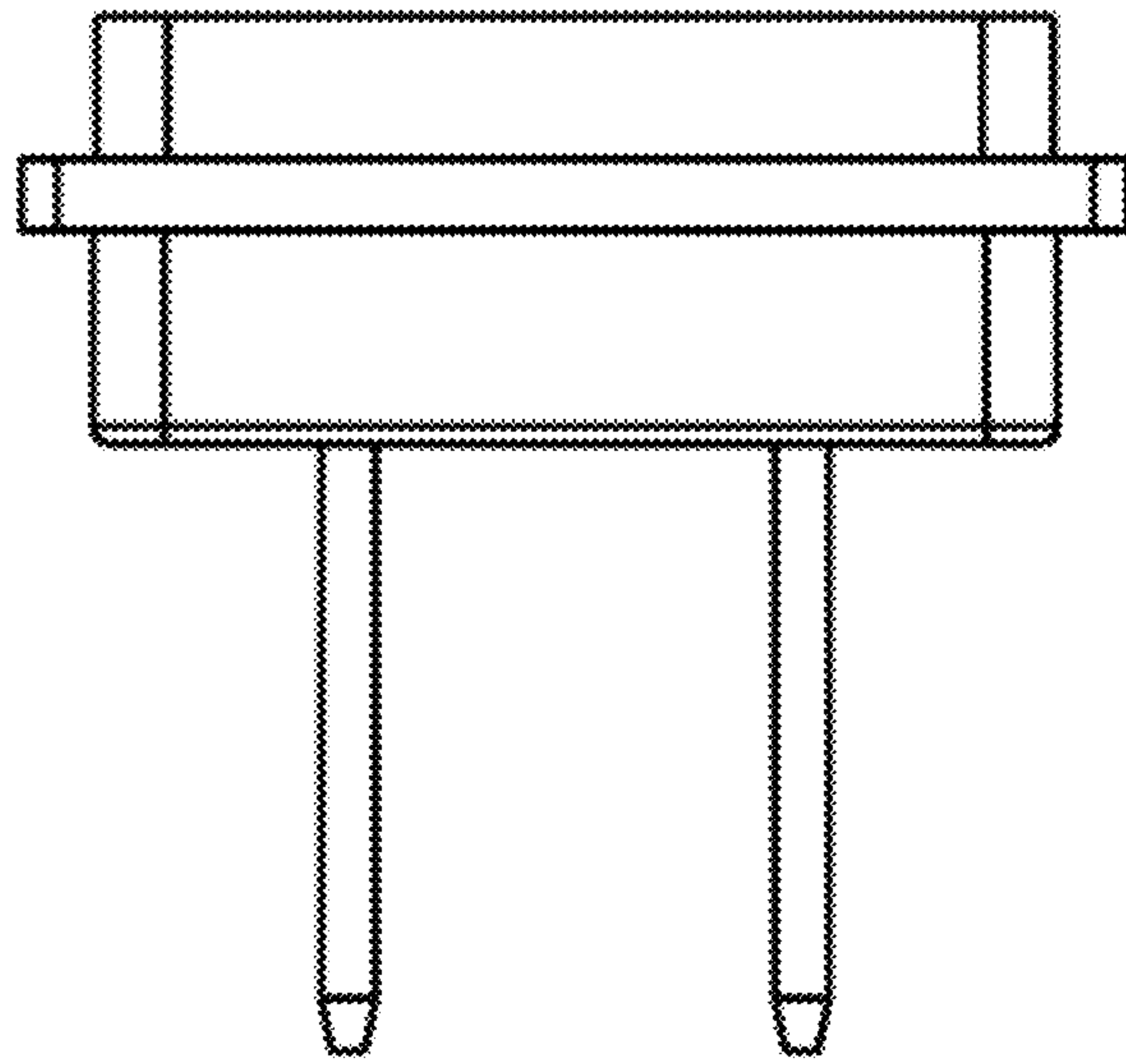


FIG. 6

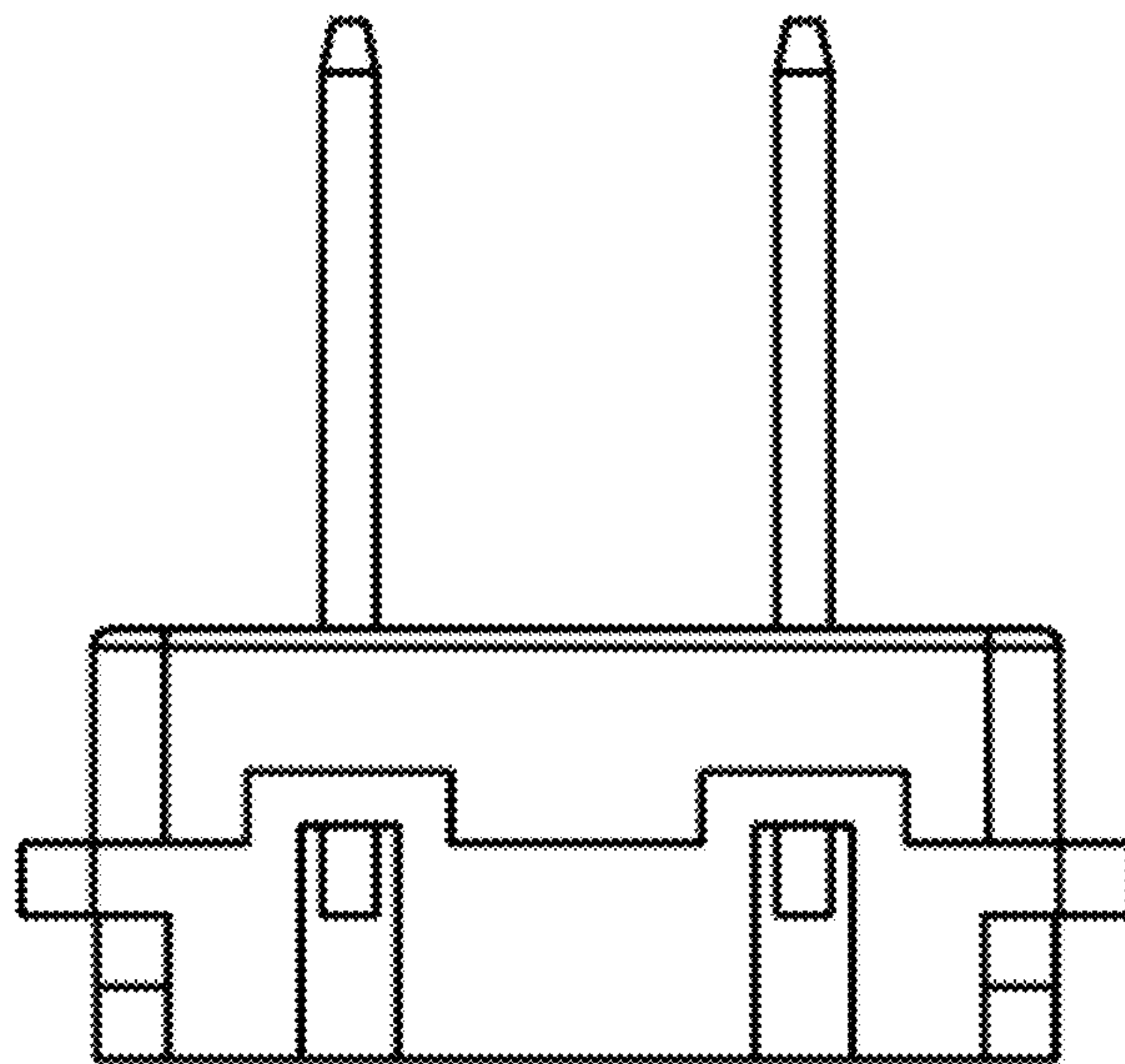


FIG. 7