



US00D714719S

(12) **United States Design Patent**  
**Tsujimoto et al.**

(10) **Patent No.:** **US D714,719 S**

(45) **Date of Patent:** **\*\* Oct. 7, 2014**

(54) **SOLAR BATTERY AFFIXING FRAME**

(75) Inventors: **Naoki Tsujimoto**, Izumisano (JP);  
**Shingo Okamoto**, Toyonaka (JP)

(73) Assignee: **SANYO Electric Co., Ltd.**,  
Moriguchi-shi (JP)

(\*\*) Term: **14 Years**

(21) Appl. No.: **29/428,855**

(22) Filed: **Aug. 3, 2012**

(30) **Foreign Application Priority Data**

Feb. 3, 2012 (JP) ..... 2012-002204

(51) **LOC (10) Cl.** ..... **13-02**

(52) **U.S. Cl.**  
USPC ..... **D13/102**

(58) **Field of Classification Search**  
USPC ..... D13/101, 102, 107, 184, 199; D25/60,  
D25/61; 52/74, 78, 173.3; 126/605, 606,  
126/608; 136/243-246, 251; 320/101;  
257/433

See application file for complete search history.

(56) **References Cited**

**U.S. PATENT DOCUMENTS**

6,528,718	B2 *	3/2003	Yoda et al.	136/251
D616,110	S *	5/2010	Rimsky et al.	D25/60
D695,213	S *	12/2013	Anderson	D13/102
2004/0084078	A1 *	5/2004	Yoshida et al.	136/251
2008/0222988	A1 *	9/2008	Lee	52/588.1
2010/0132766	A1 *	6/2010	Jenkins	136/251
2011/0168166	A1 *	7/2011	Kerr et al.	126/652
2011/0269087	A1 *	11/2011	DuChateau	432/29
2012/0298197	A1 *	11/2012	Taruno et al.	136/256
2014/0060625	A1 *	3/2014	Beuke et al.	136/251

**FOREIGN PATENT DOCUMENTS**

JP 969018 S 11/1996

\* cited by examiner

*Primary Examiner* — Derrick Holland

*Assistant Examiner* — Lauren Calve

(74) *Attorney, Agent, or Firm* — Westerman, Hattori,  
Daniels & Adrian, LLP

(57) **CLAIM**

The ornamental design for a solar battery affixing frame, as shown and described.

**DESCRIPTION**

FIG. 1 is a perspective view of a first embodiment of a solar battery affixing frame showing our new design;

FIG. 2 is a top plan view thereof;

FIG. 3 is a bottom plan view thereof;

FIG. 4 is a front elevational view thereof, the rear elevational view being a mirror image thereof;

FIG. 5 is a right side elevational view thereof, the left side elevational view being a mirror image thereof;

FIG. 6 is a cross-sectional view thereof taken along lines 6-6 of FIG. 2;

FIG. 7 is a cross-sectional view thereof taken along lines 7-7 of FIG. 2;

FIG. 8 is a perspective view of a second embodiment of a solar battery affixing frame;

FIG. 9 is a top plan view thereof;

FIG. 10 is a bottom plan view thereof;

FIG. 11 is a front elevational view thereof, the rear elevational view being a mirror image thereof;

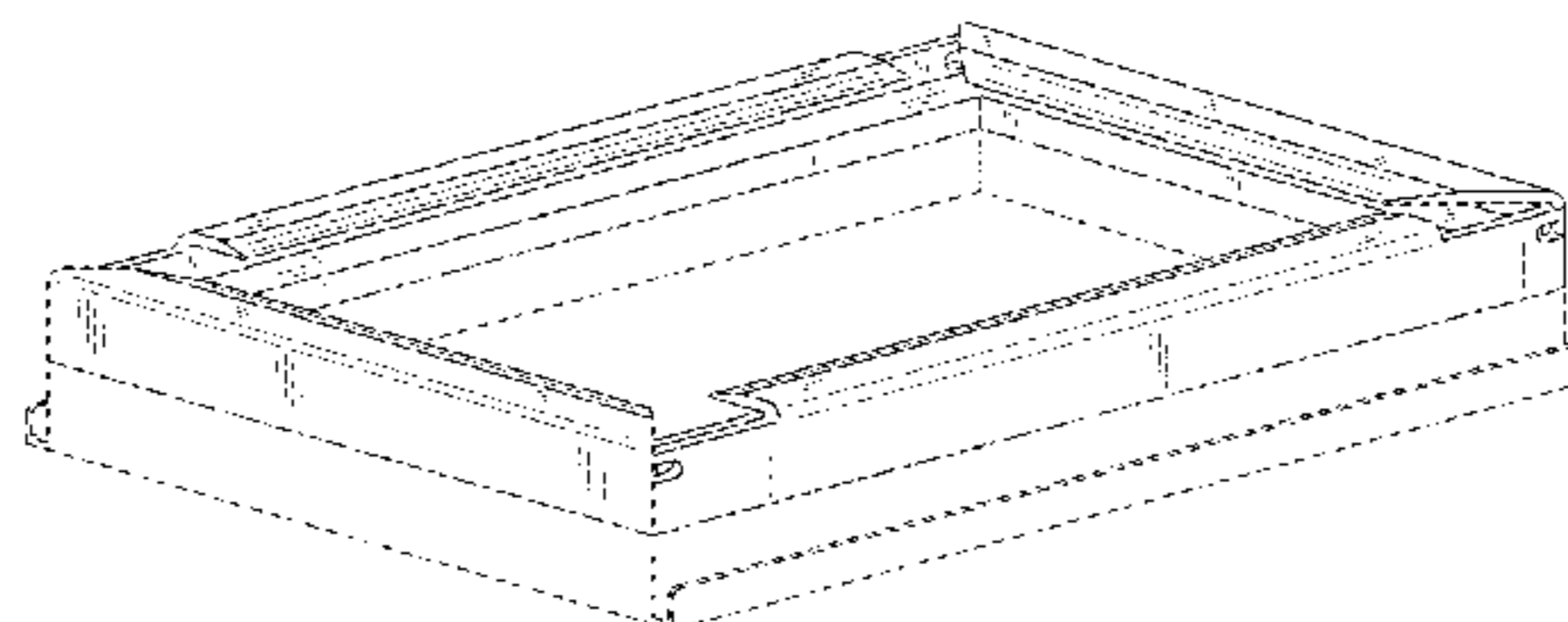
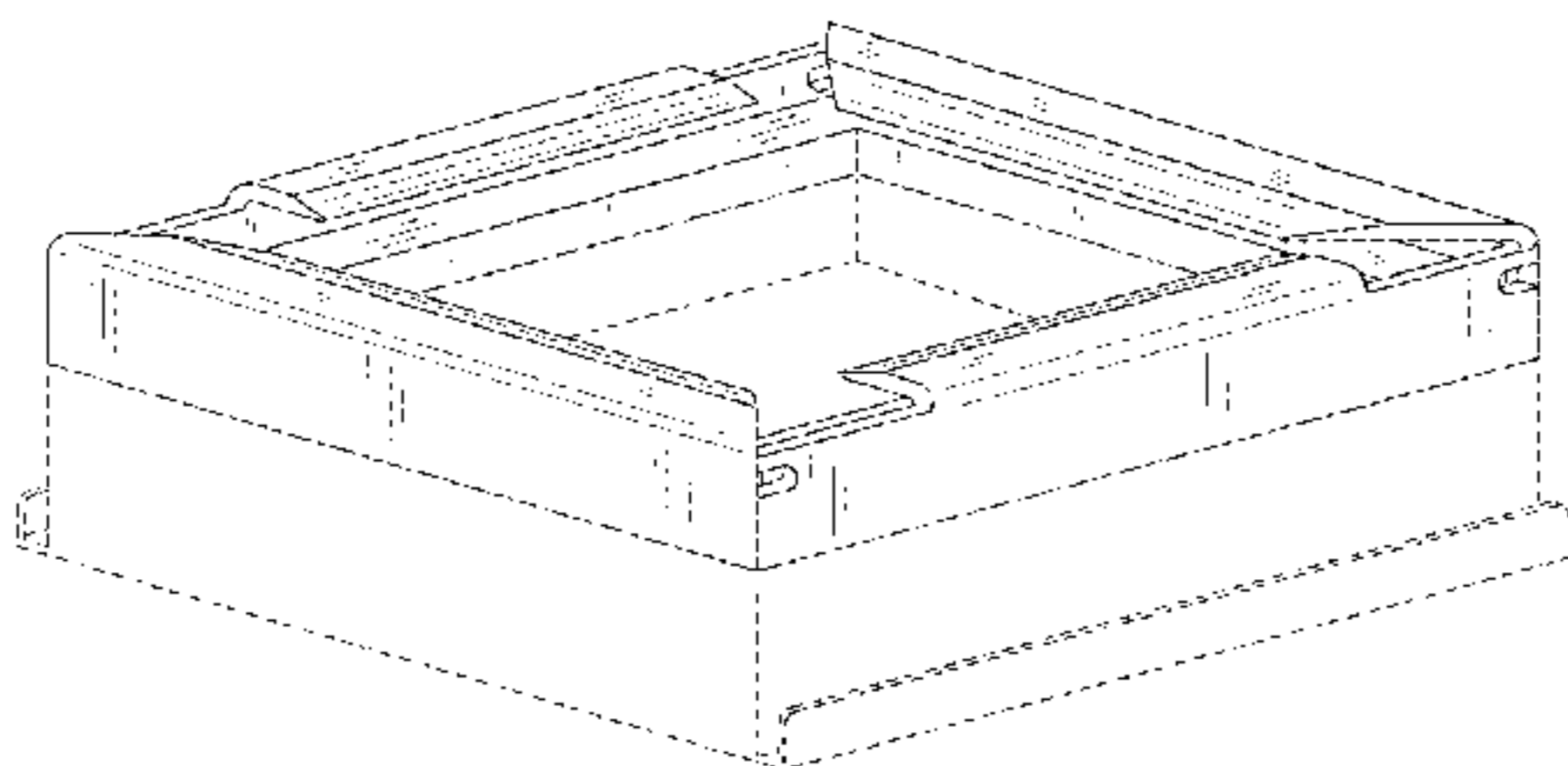
FIG. 12 is a right side elevational view thereof, the left side elevational view being a mirror image thereof;

FIG. 13 is a cross-sectional view thereof taken along lines 13-13 of FIG. 9; and,

FIG. 14 is a cross-sectional view thereof taken along lines 14-14 of FIG. 9.

The broken lines shown in FIGS. 1-14 represent unclaimed subject matter and form no part of the claimed design.

**1 Claim, 14 Drawing Sheets**



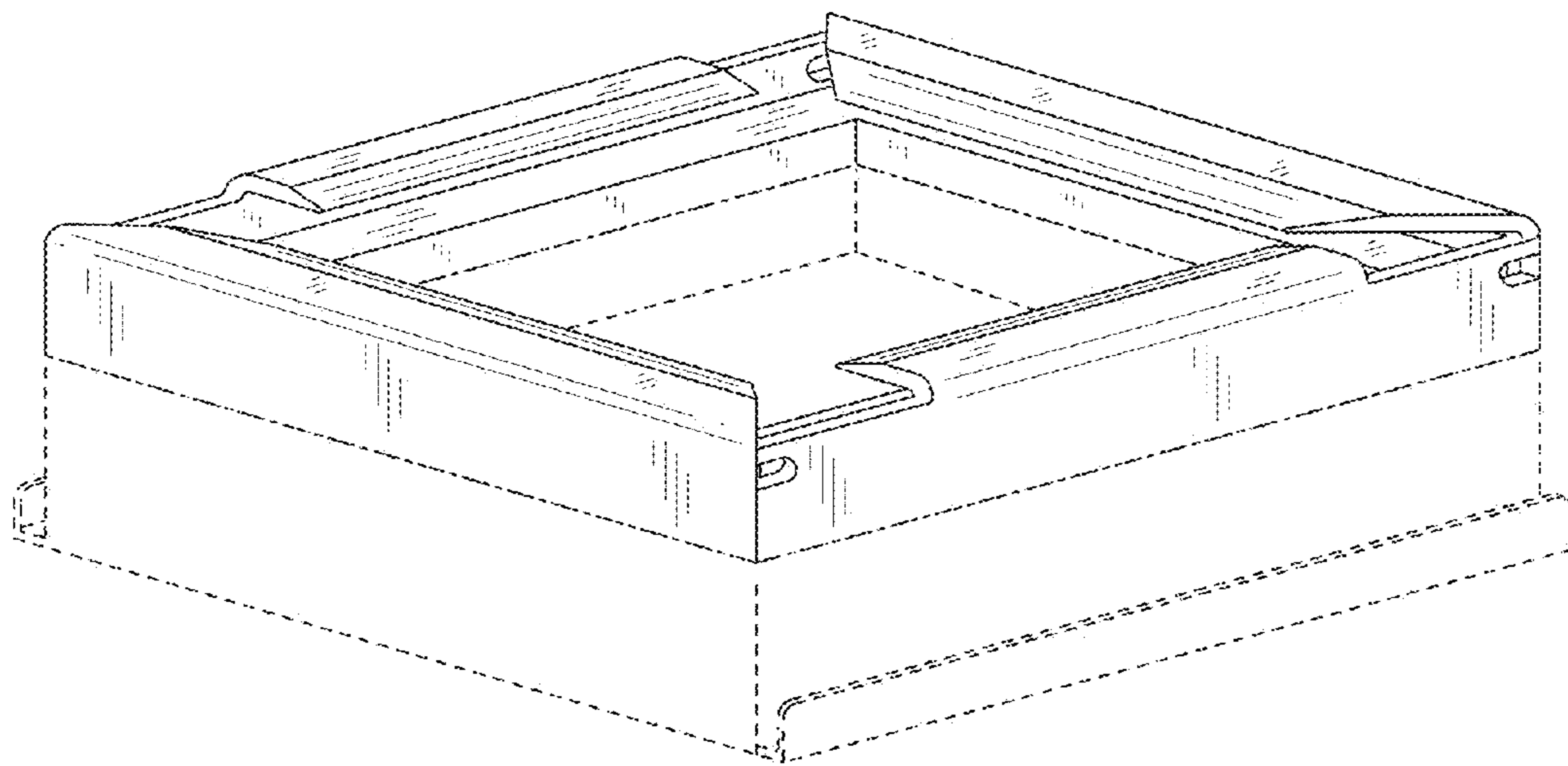


FIG.1

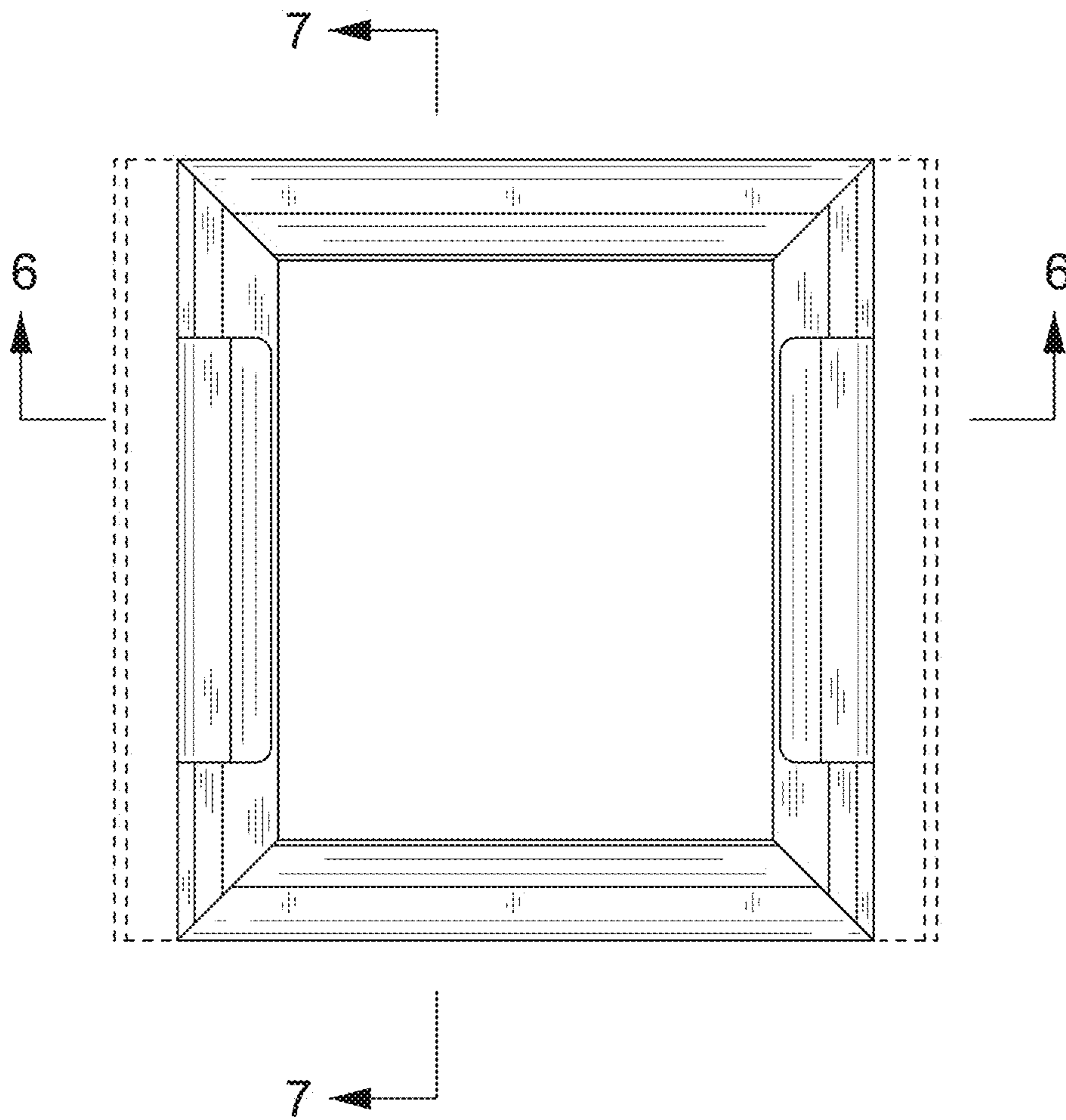


FIG.2

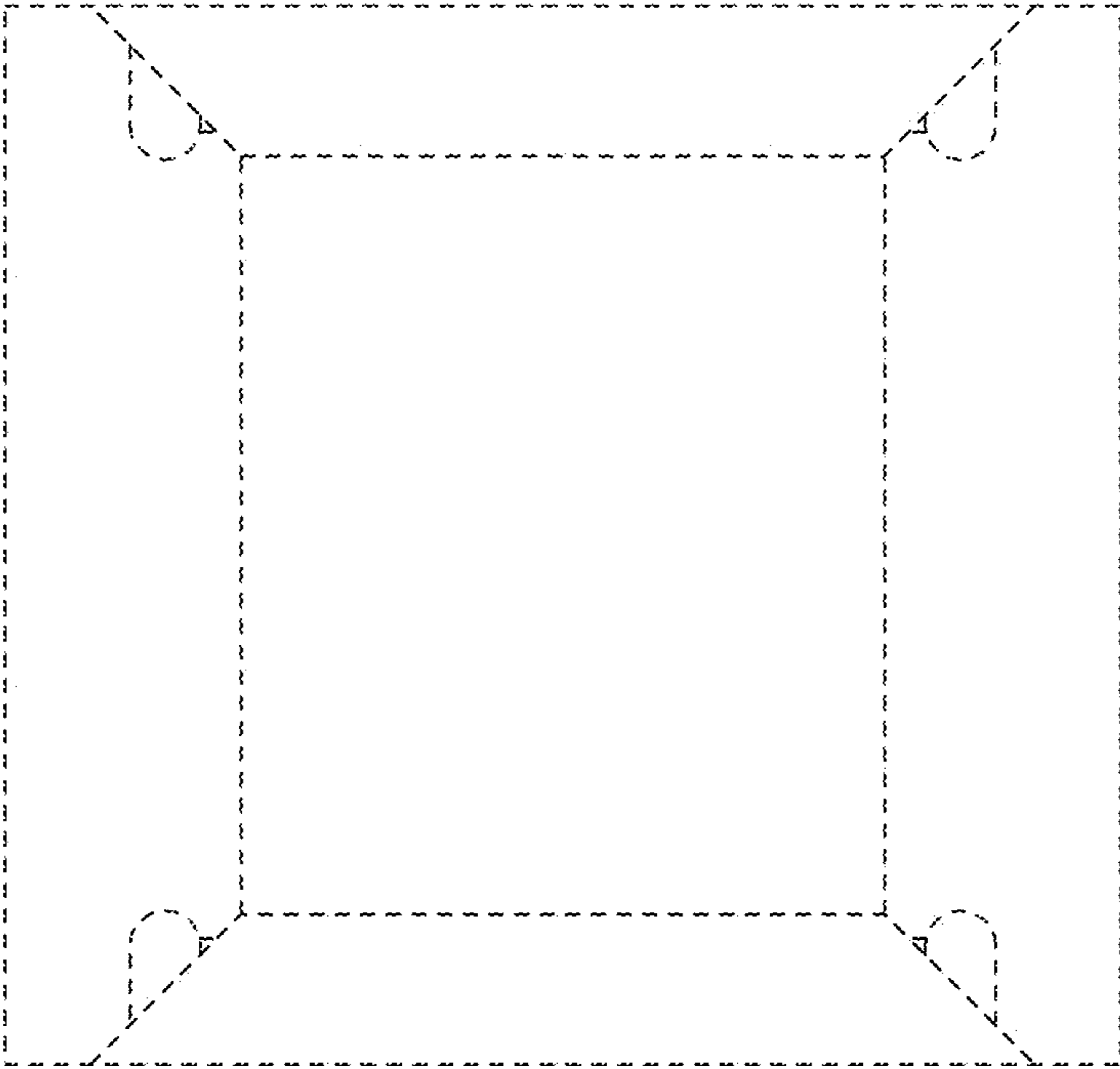


FIG. 3

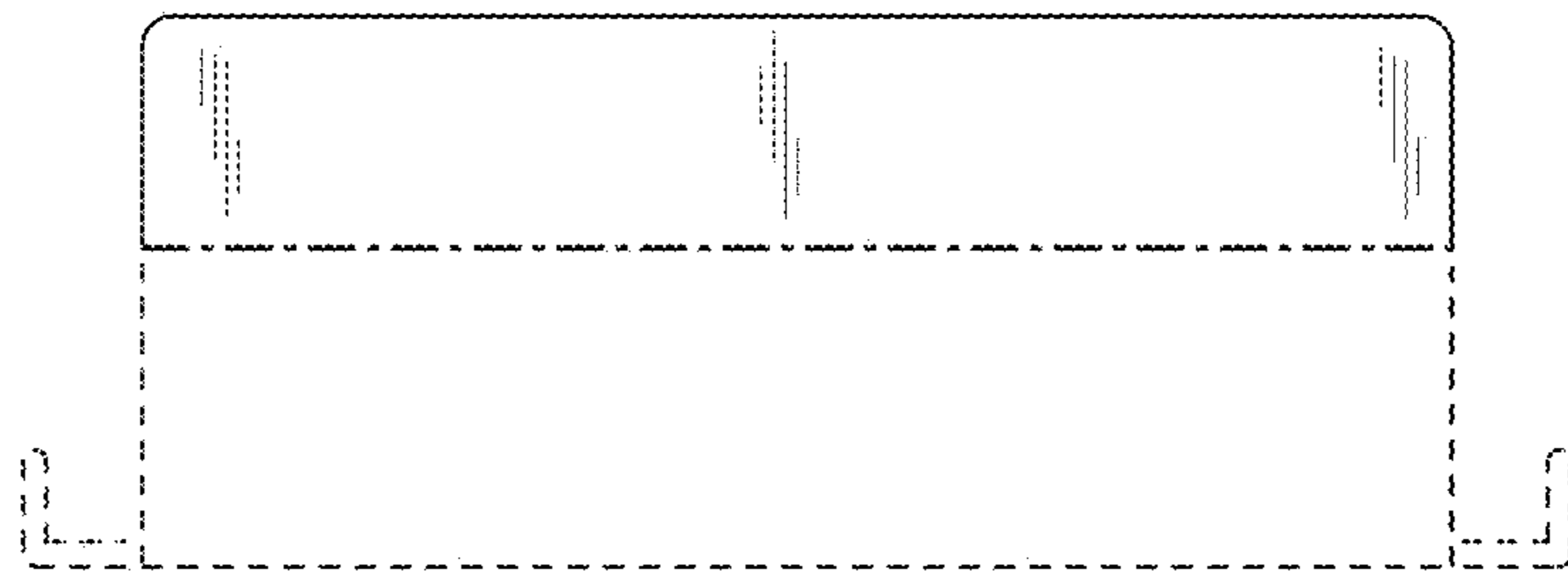


FIG.4

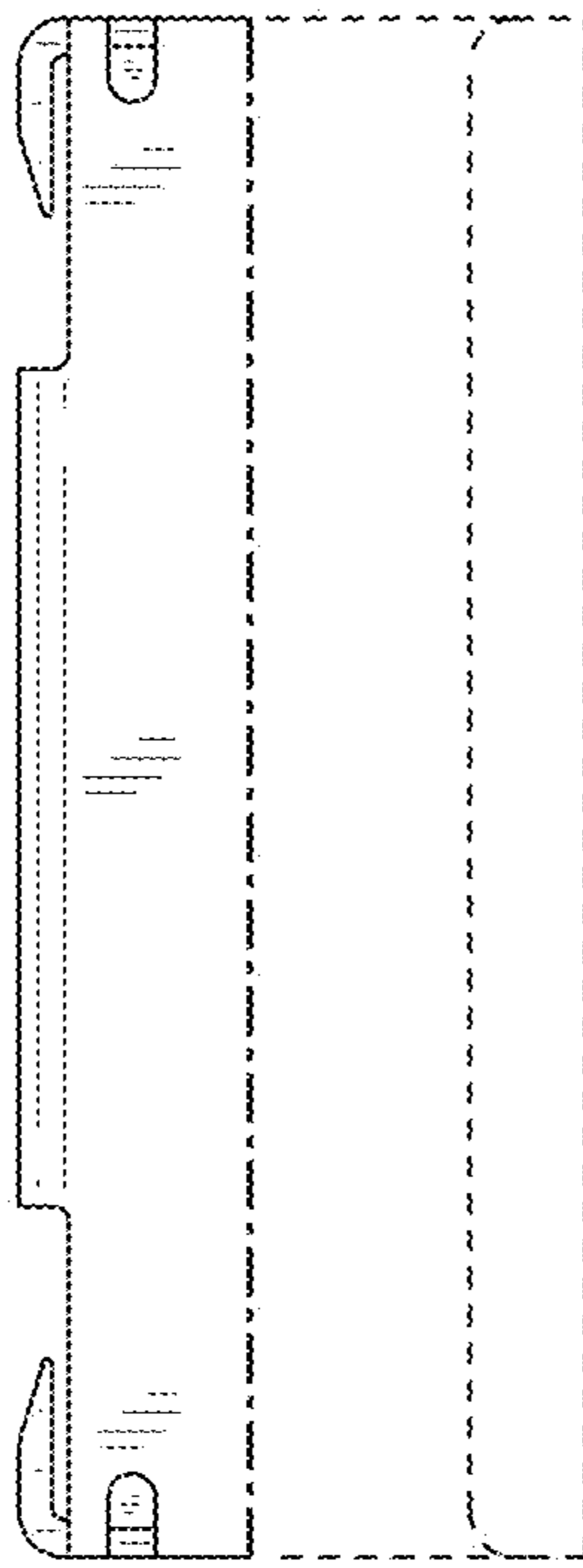


FIG.5

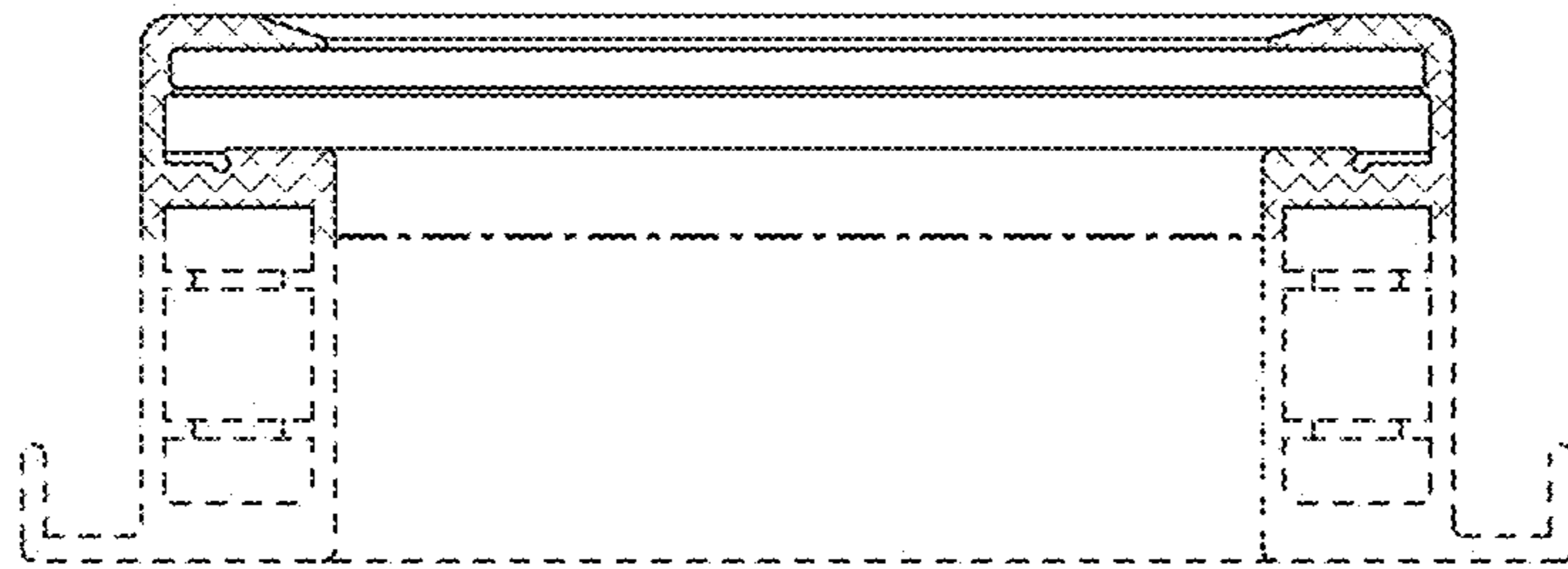


FIG.6

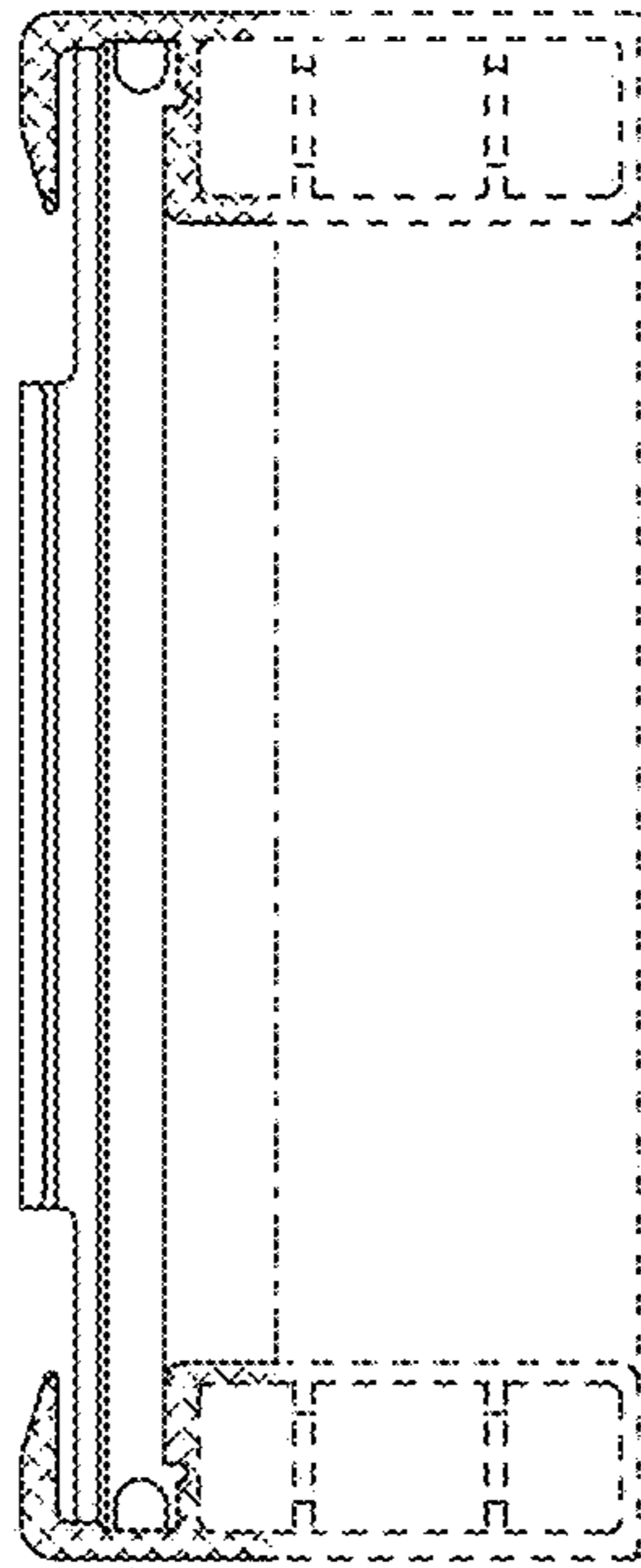


FIG.7



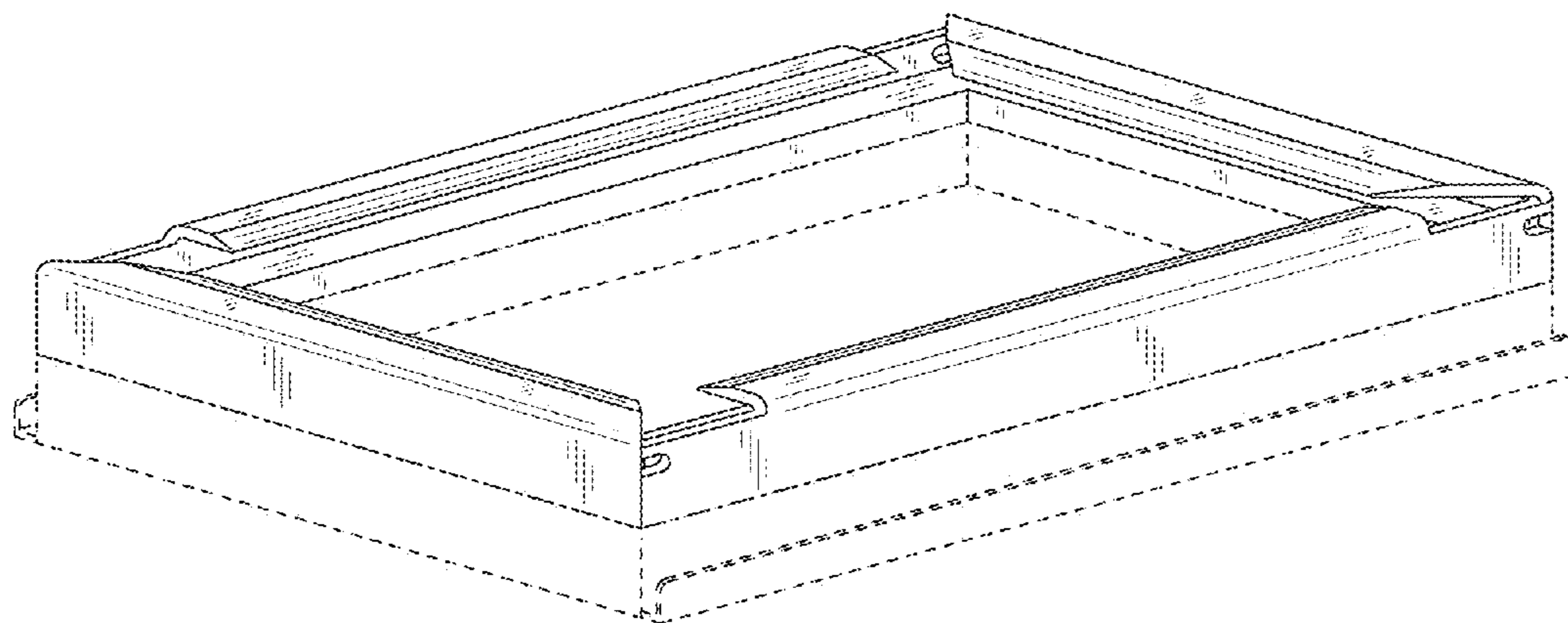


FIG.8

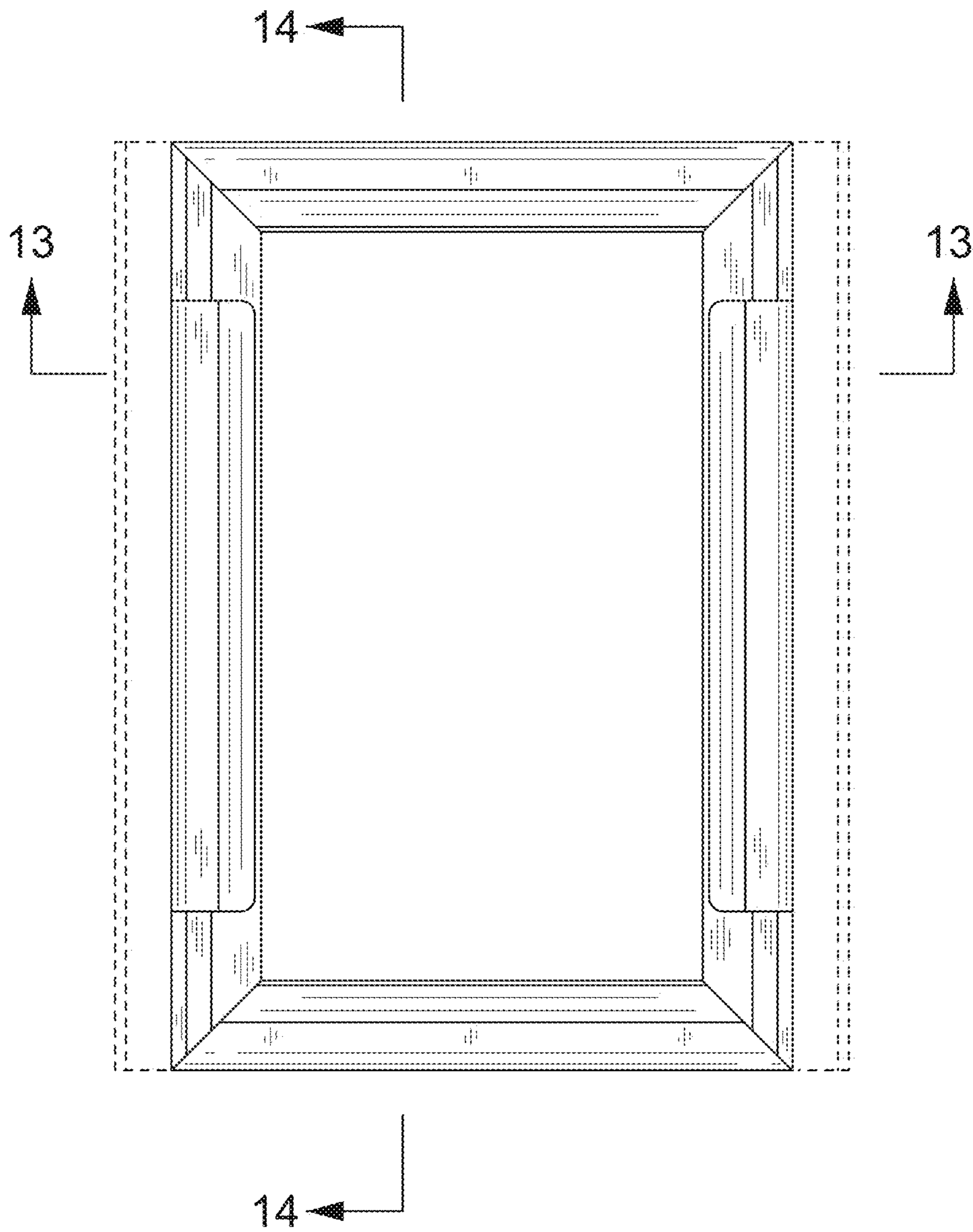


FIG.9

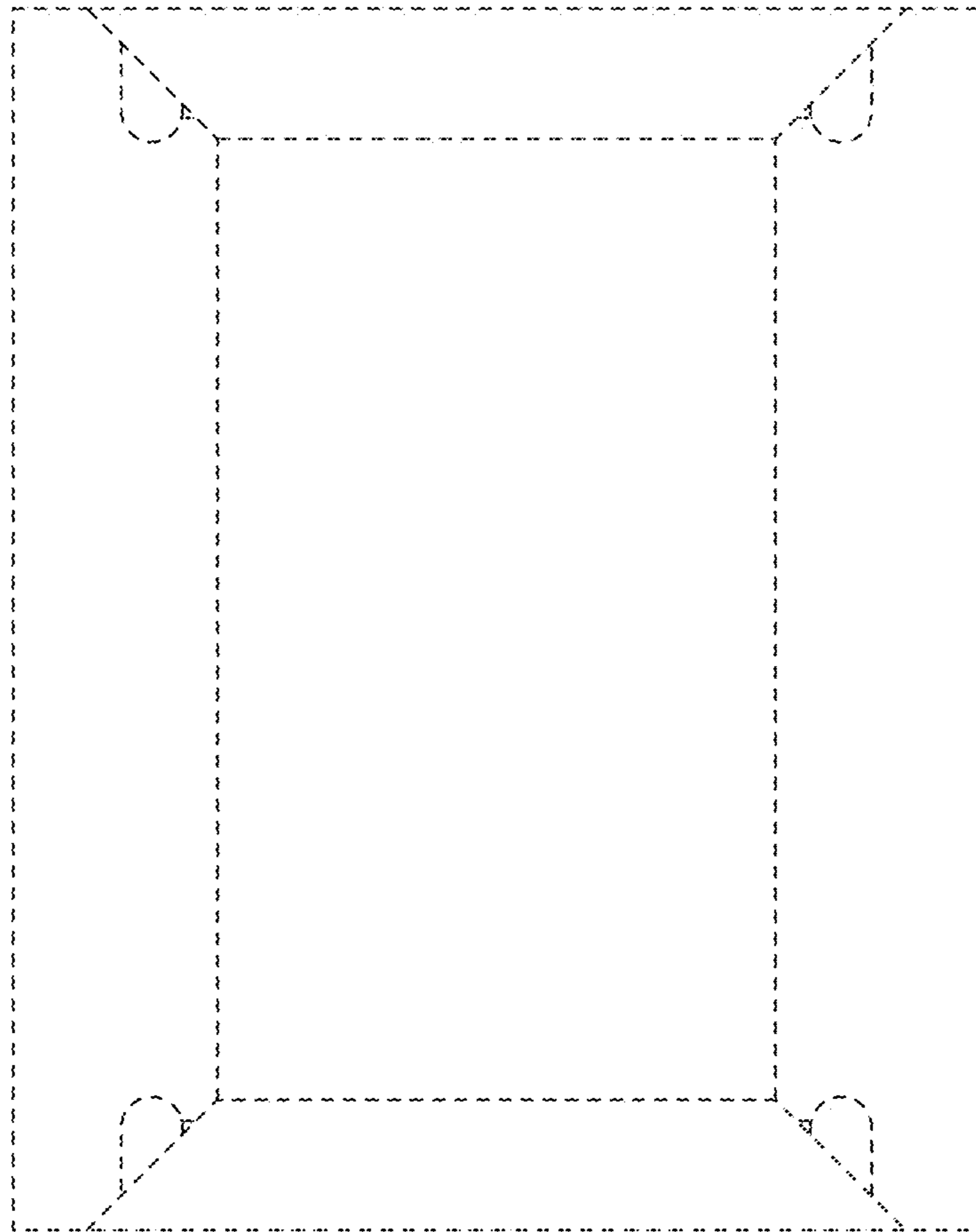


FIG. 10

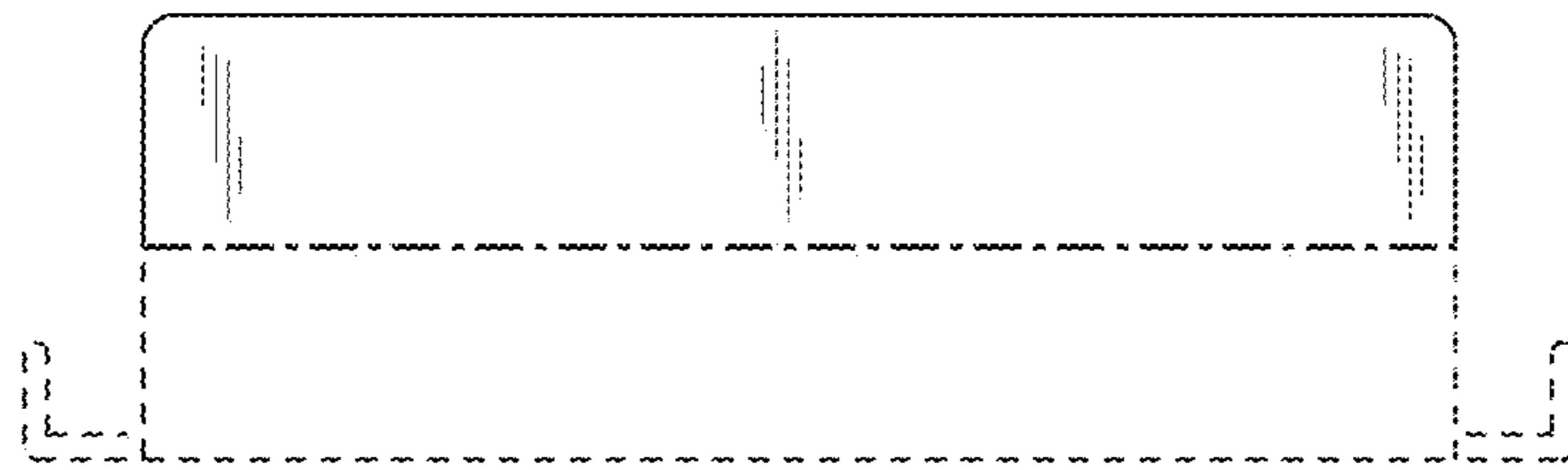


FIG.11

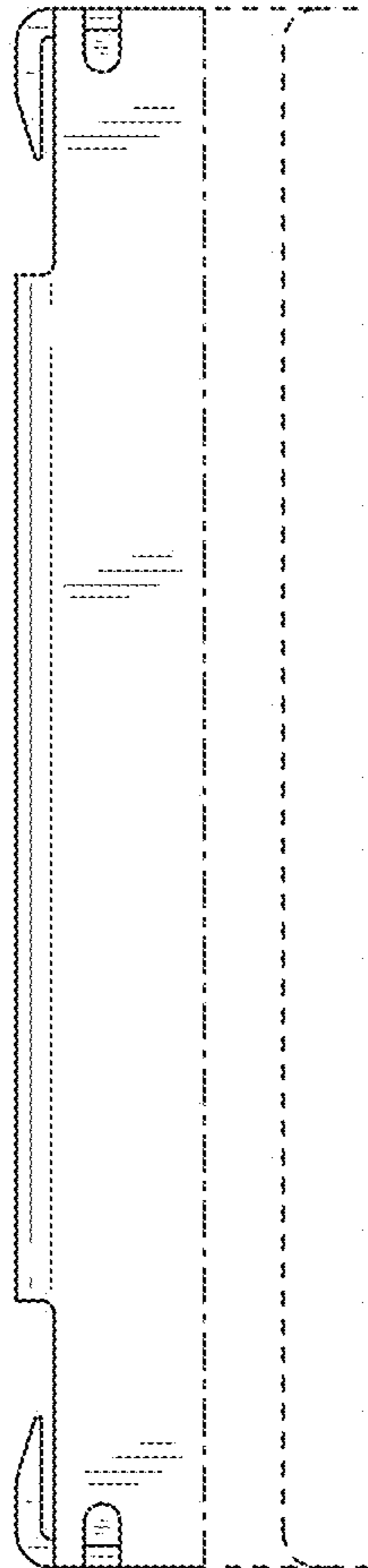


FIG.12

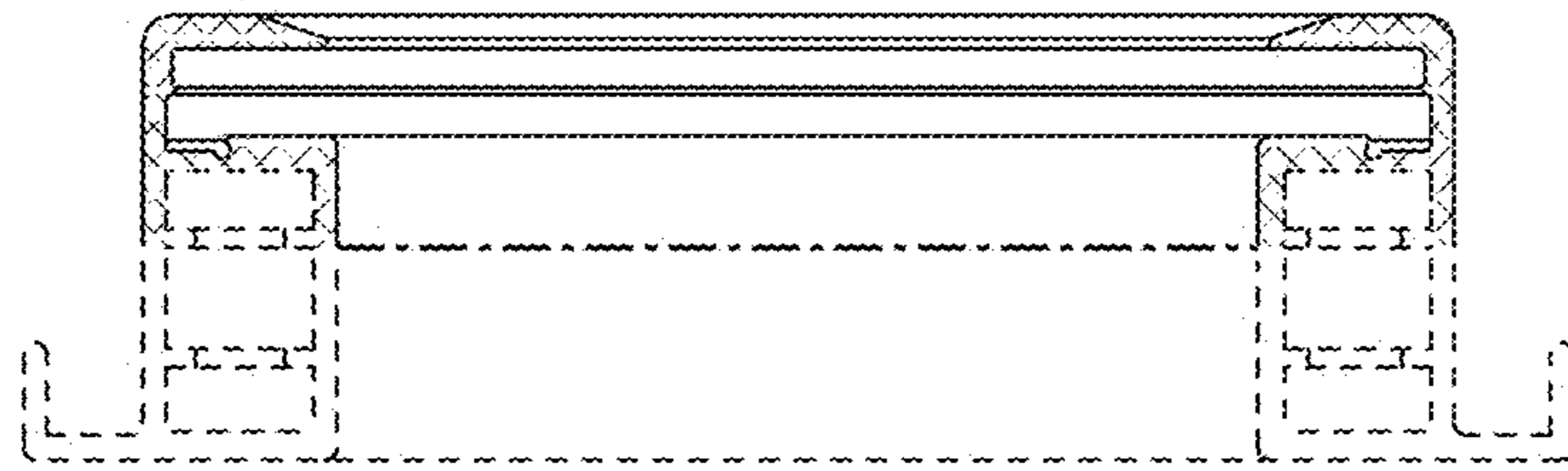


FIG.13

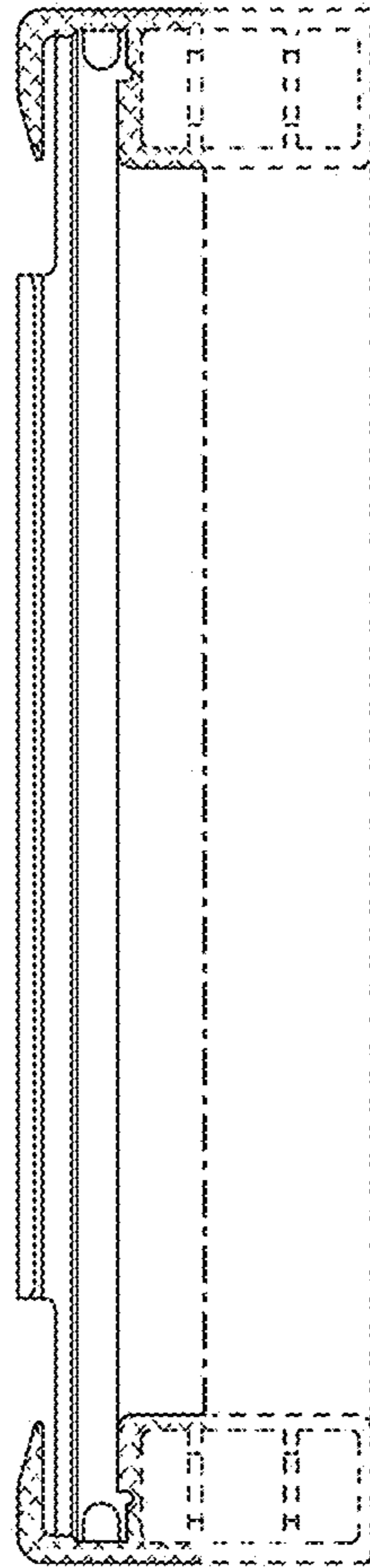


FIG.14