



US00D714718S

(12) **United States Design Patent**
Loeckenhoff et al.

(10) **Patent No.:** **US D714,718 S**
(45) **Date of Patent:** **** Oct. 7, 2014**

(54) **SOLAR PANEL**

(56)

References Cited

(75) Inventors: **Ruediger Loeckenhoff**,
Bietigheim-Bissingen (DE);
Klaus-Dieter Rasch, Nordheim (DE)

(73) Assignee: **AZUR SPACE Solar Power GmbH**,
Heilbronn (DE)

(**) Term: **14 Years**

(21) Appl. No.: **29/403,882**

(22) Filed: **Oct. 12, 2011**

(51) **LOC (10) Cl.** **13-02**

(52) **U.S. Cl.**
USPC **D13/102**

(58) **Field of Classification Search**
USPC D13/102, 101, 103, 107, 108, 118, 199;
D5/4, 5, 7, 55, 56, 58, 60, 62;
D25/103, 106, 110, 157, 158; 126/561,
126/566, 569; 136/243–247, 251, 252, 254,
136/256

See application file for complete search history.

U.S. PATENT DOCUMENTS

D260,031 S *	7/1981	Pearson	D13/102
D303,244 S *	9/1989	Hanak	D13/102
D353,129 S *	12/1994	Ricaud et al.	D13/102
5,409,549 A *	4/1995	Mori	136/244
5,437,735 A *	8/1995	Younan et al.	136/251
5,589,006 A *	12/1996	Itoyama et al.	136/248
D391,921 S *	3/1998	Zimmer et al.	D13/102
D642,514 S *	8/2011	Van Den Donker et al.	D13/102
D651,559 S *	1/2012	Van Den Donker et al.	D13/102

* cited by examiner

Primary Examiner — Derrick Holland

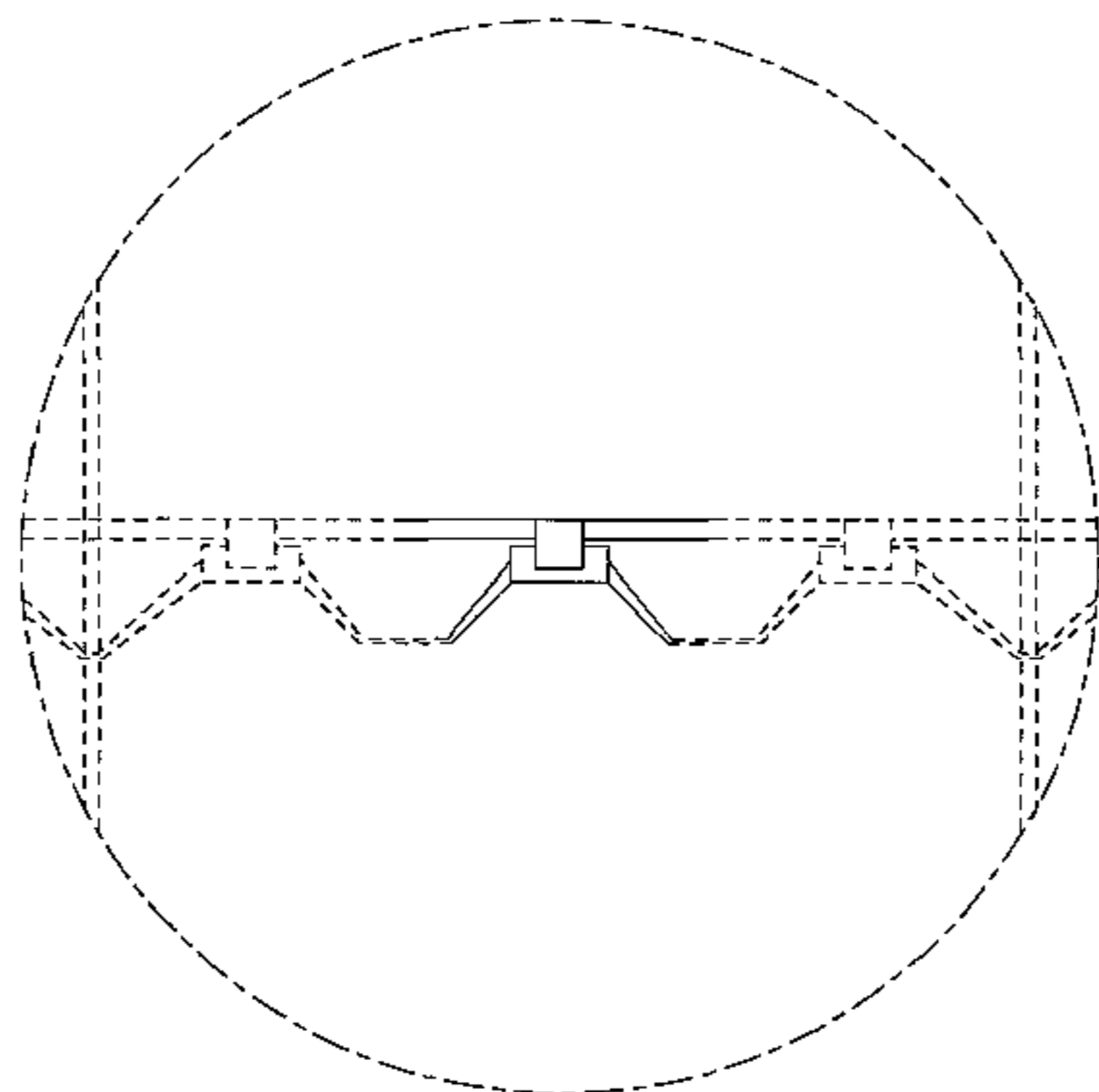
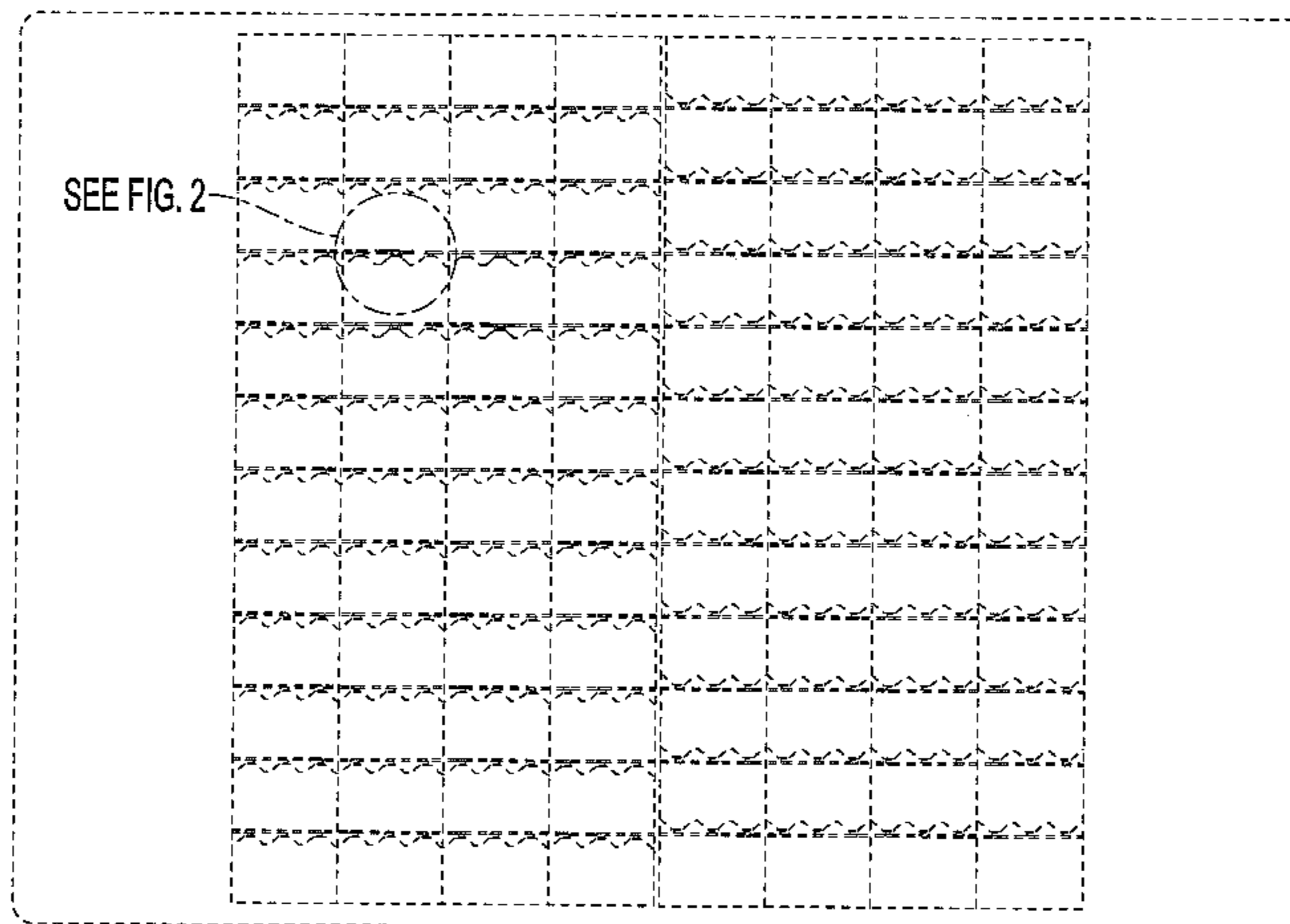
(74) *Attorney, Agent, or Firm* — Muncy, Geissler, Olds & Lowe, P.C.

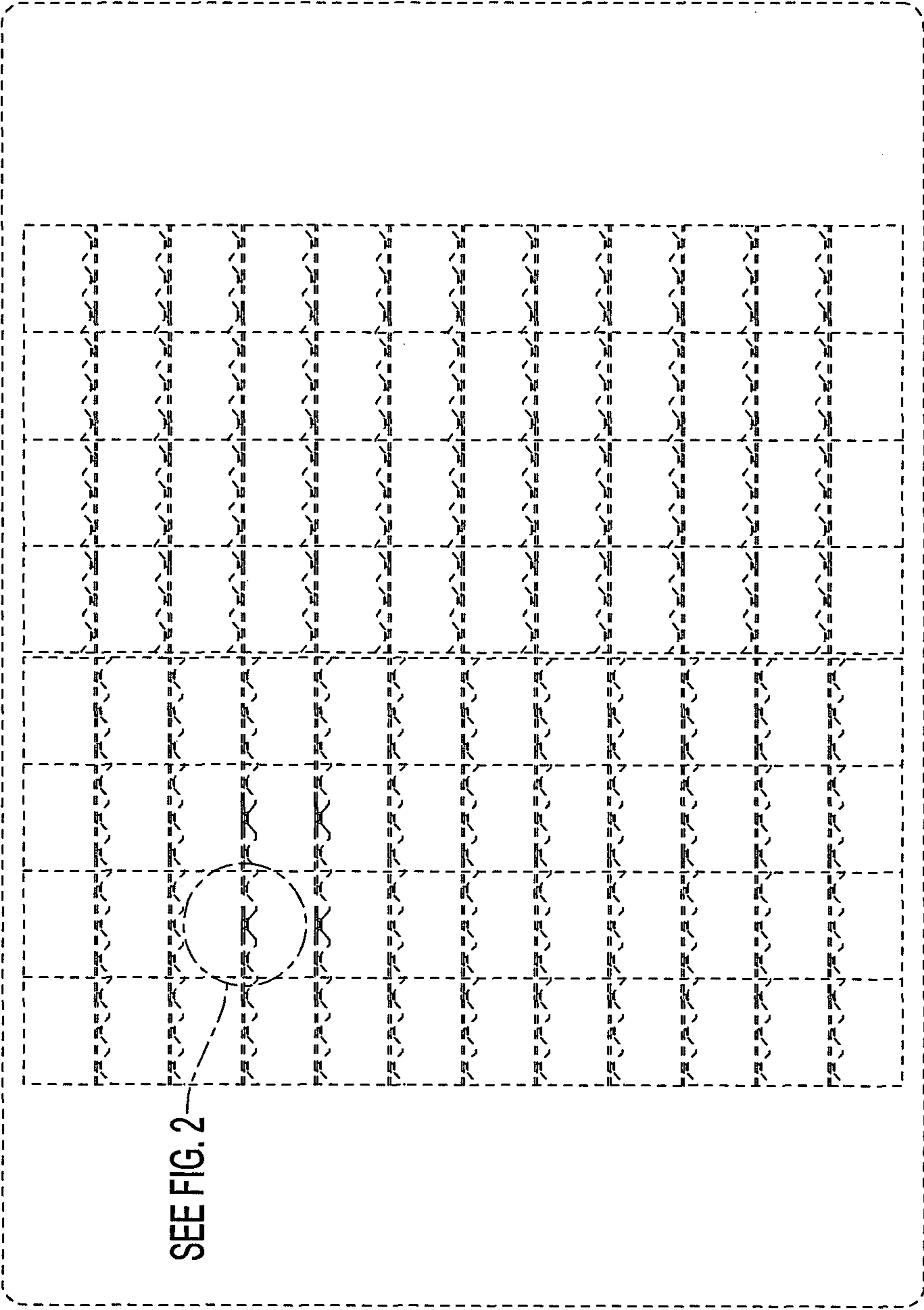
(57) **CLAIM**
The ornamental design for a solar panel, as shown and described.

DESCRIPTION

FIG. 1 is a front elevational view of a solar panel according to the present invention. The top, bottom, sides and rear of the panel are unornamented. In the third row of the second column, the center element is shown with solid lines; and, FIG. 2 is a detail view of the indicated portion of FIG. 1. The broken lines shown represent unclaimed subject matter and form no part of the claimed design.

1 Claim, 2 Drawing Sheets





SEE FIG. 2

FIG. 1

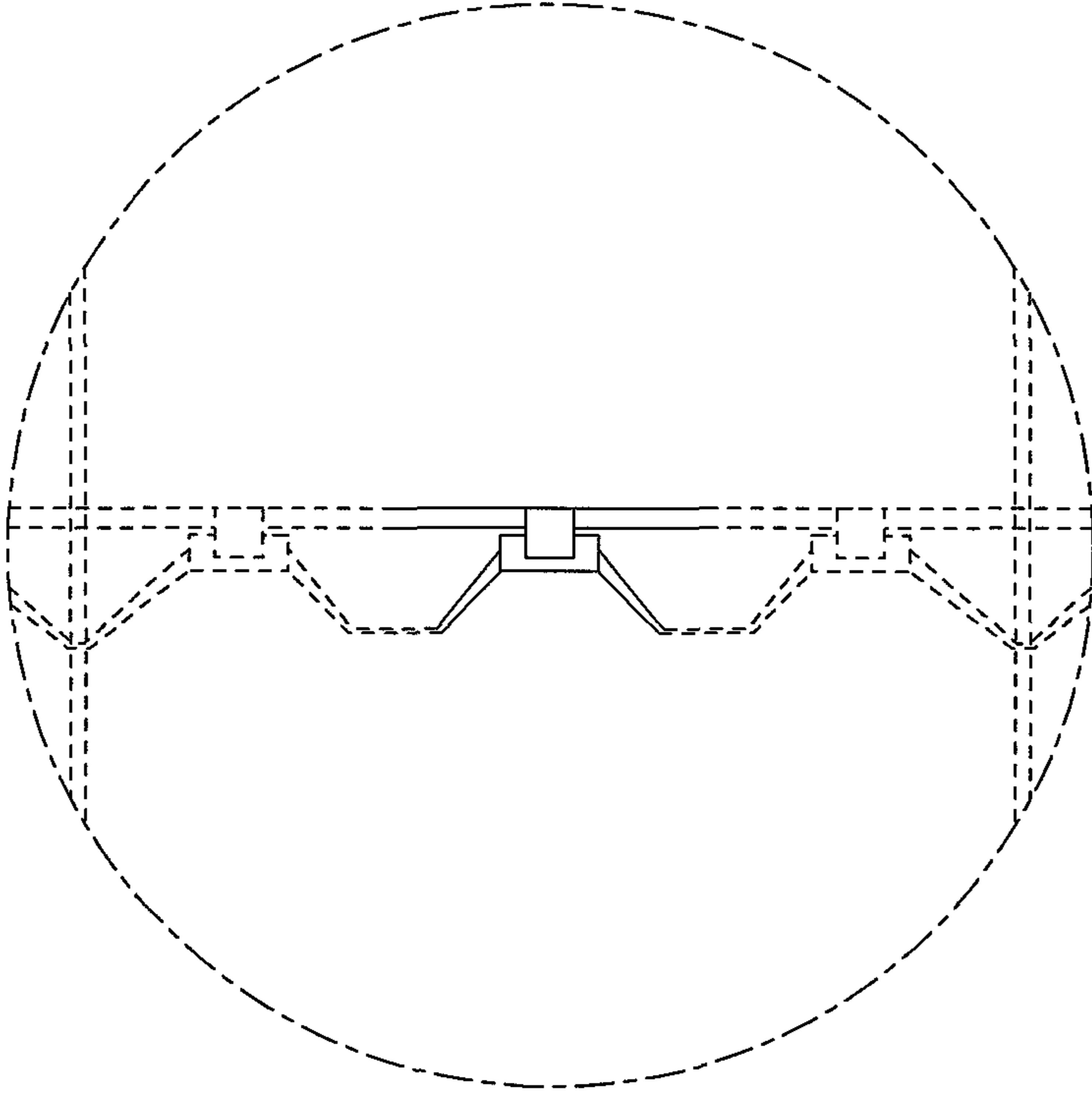


FIG. 2