

US00D714717S

(12) **United States Design Patent**
Nakanoue et al.

(10) **Patent No.:** **US D714,717 S**
(45) **Date of Patent:** **** Oct. 7, 2014**

(54) **REACTOR**

(56)

References Cited

(71) Applicant: **Hitachi Industrial Equipment Systems Co., Ltd.**, Tokyo (JP)

(72) Inventors: **Kenji Nakanoue**, Tokyo (JP); **Naoyuki Kurita**, Tokyo (JP)

(73) Assignee: **Hitachi Industrial Equipment Systems Co., Ltd.**, Tokyo (JP)

(**) Term: **14 Years**

(21) Appl. No.: **29/480,830**

(22) Filed: **Jan. 30, 2014**

(30) **Foreign Application Priority Data**

Aug. 26, 2013 (JP) 2013-019501

(51) **LOC (10) Cl.** **13-02**

(52) **U.S. Cl.**
USPC **D13/101**

(58) **Field of Classification Search**
USPC D13/101, 133, 184, 199; 356/432, 436, 356/437; 422/28, 37, 129, 139, 140, 141, 422/145, 236; 423/477, 478; 376/220, 228, 376/230, 347; 336/90, 178, 184, 210, 211, 336/212, 213, 219

See application file for complete search history.

U.S. PATENT DOCUMENTS

2,909,742	A *	10/1959	Lamberton	336/212
3,775,250	A *	11/1973	Scholz et al.	376/293
4,518,560	A *	5/1985	Takaku et al.	376/245
D691,085	S *	10/2013	Shargots et al.	D13/101
D695,677	S *	12/2013	Ales	D13/101
2010/0316181	A1 *	12/2010	Thome et al.	376/372

FOREIGN PATENT DOCUMENTS

JP	D 969584	S	12/1996
JP	D 1202534	S	4/2004
JP	D 1342575	S	10/2008

* cited by examiner

Primary Examiner — Derrick Holland

(74) *Attorney, Agent, or Firm* — Antonelli, Terry, Stout & Kraus, LLP.

(57)

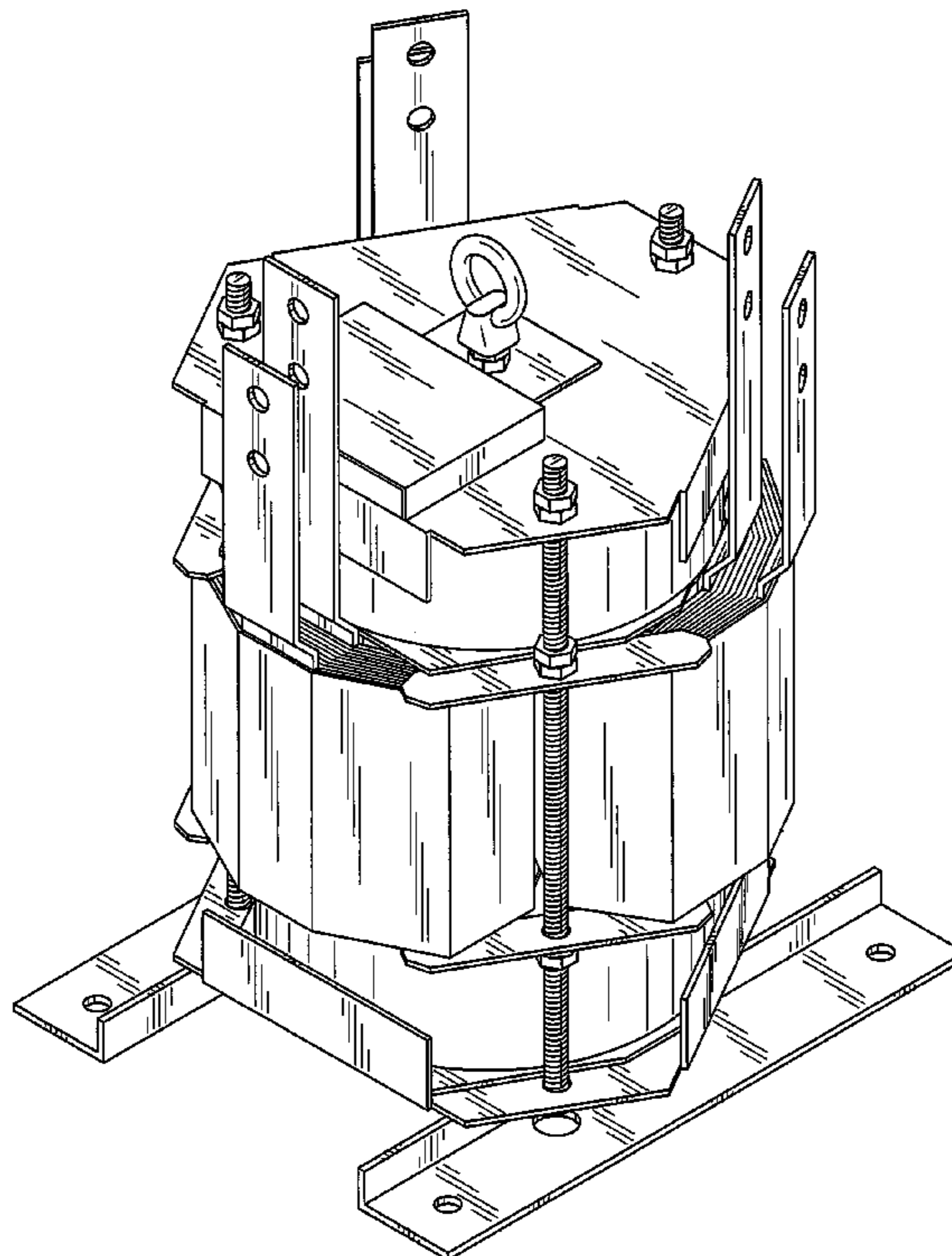
CLAIM

We claim the ornamental design for a reactor, as shown.

DESCRIPTION

FIG. 1 is a front, top and right side perspective view of a reactor showing our new design;
FIG. 2 is a front elevational view thereof;
FIG. 3 is a rear elevational view thereof;
FIG. 4 is a left side elevational view thereof;
FIG. 5 is a right side elevational view thereof;
FIG. 6 is a top plan view thereof; and,
FIG. 7 is a bottom plan view thereof.

1 Claim, 7 Drawing Sheets



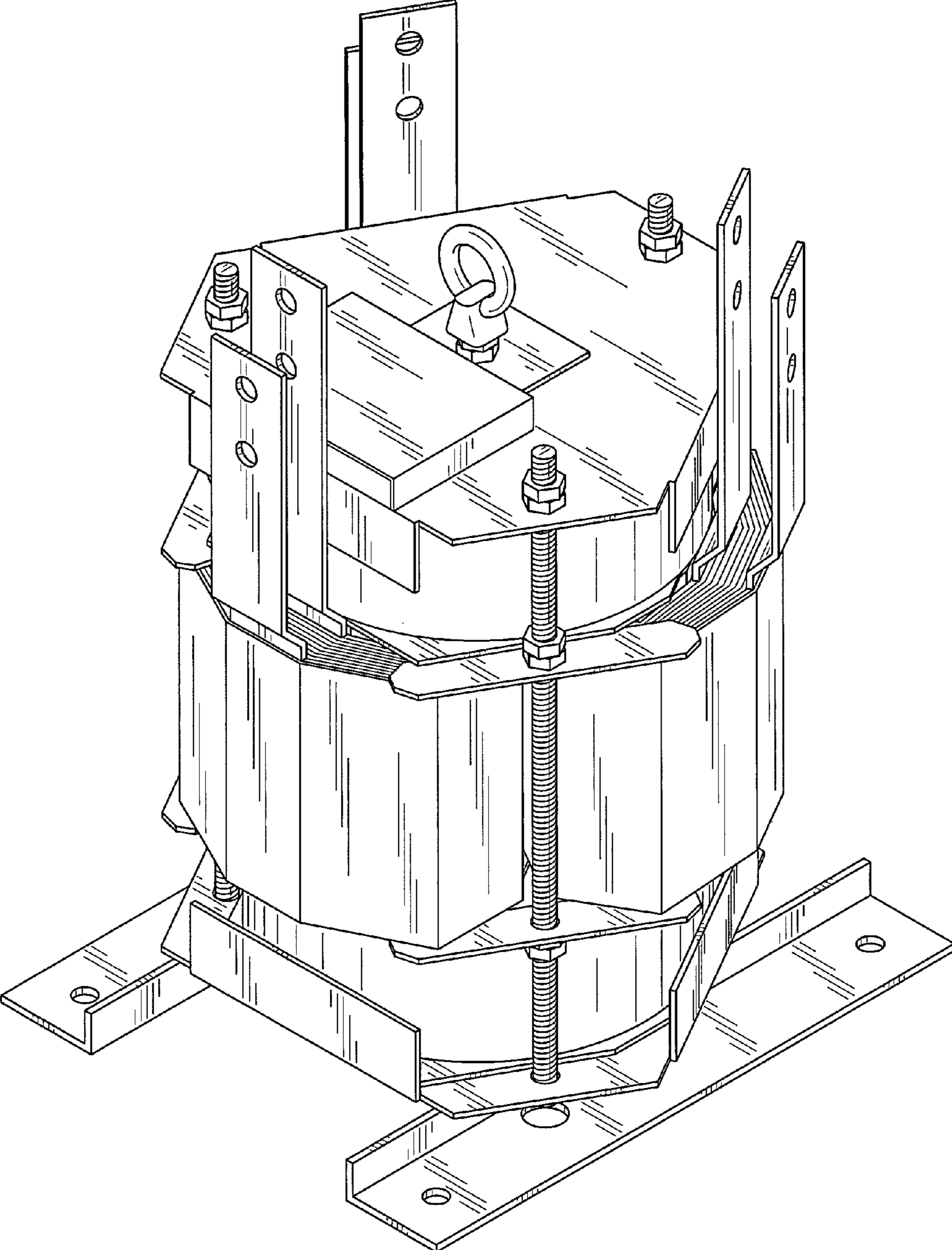


FIG. 1

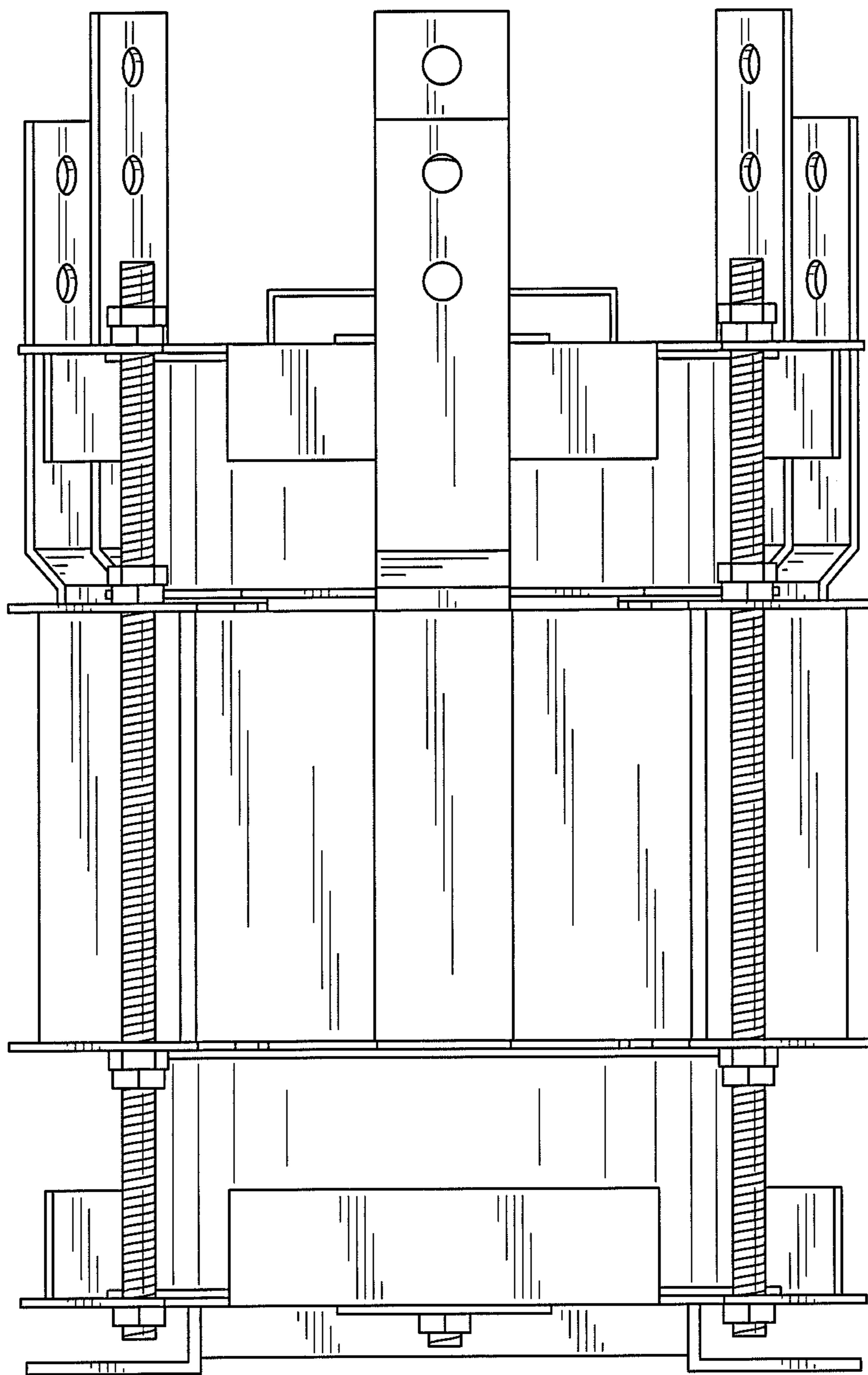


FIG. 2

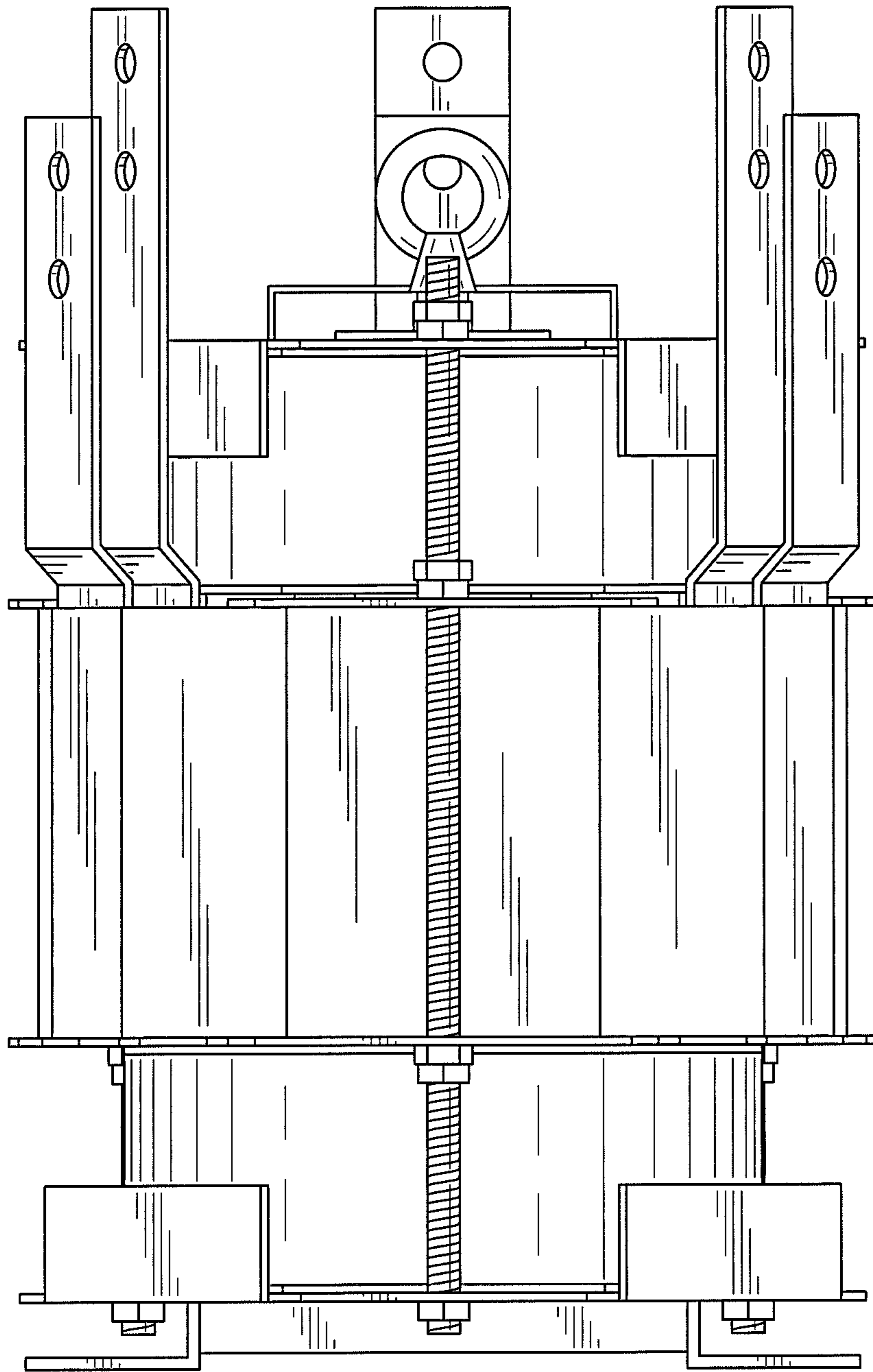


FIG. 3

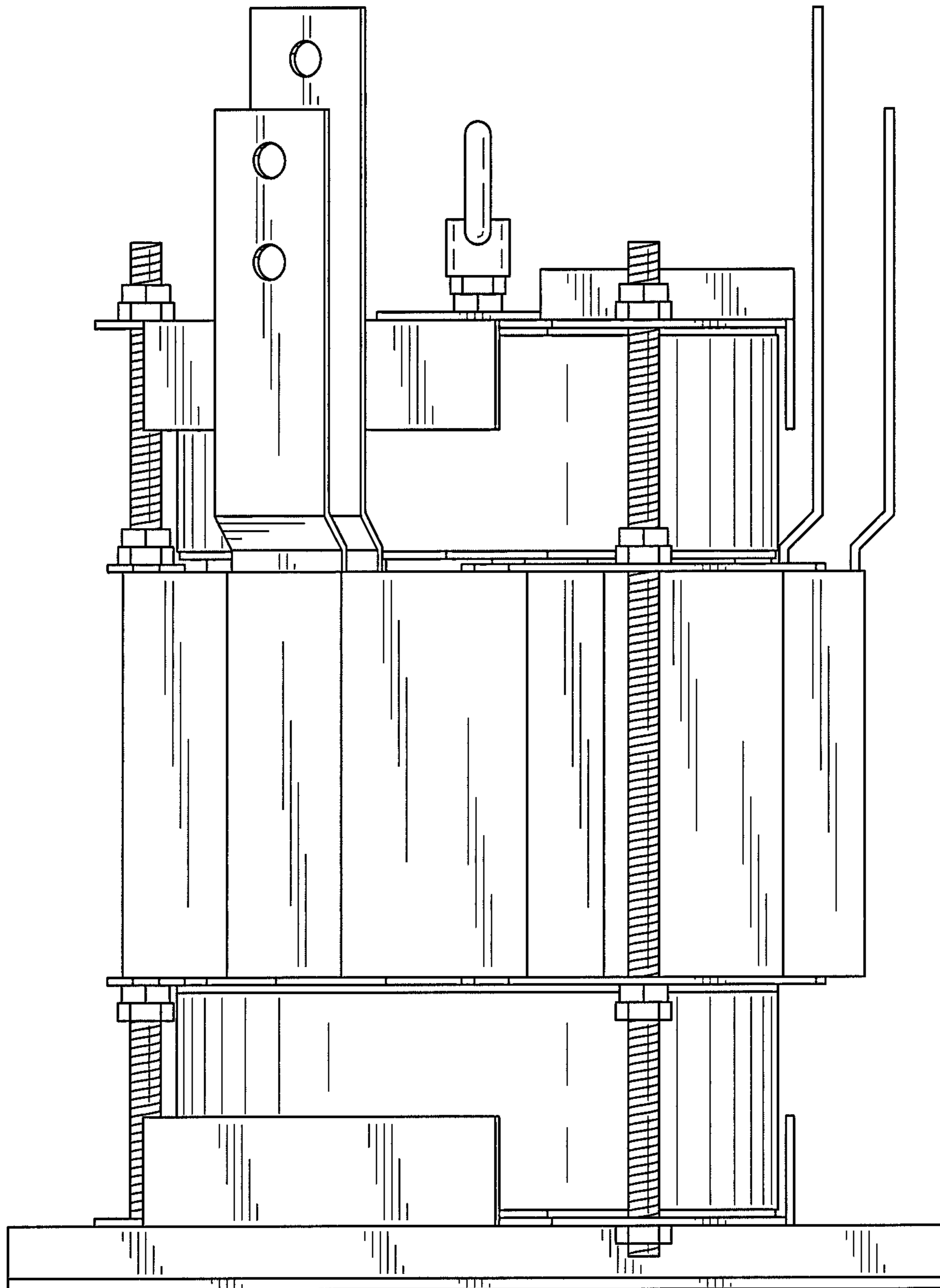


FIG. 4

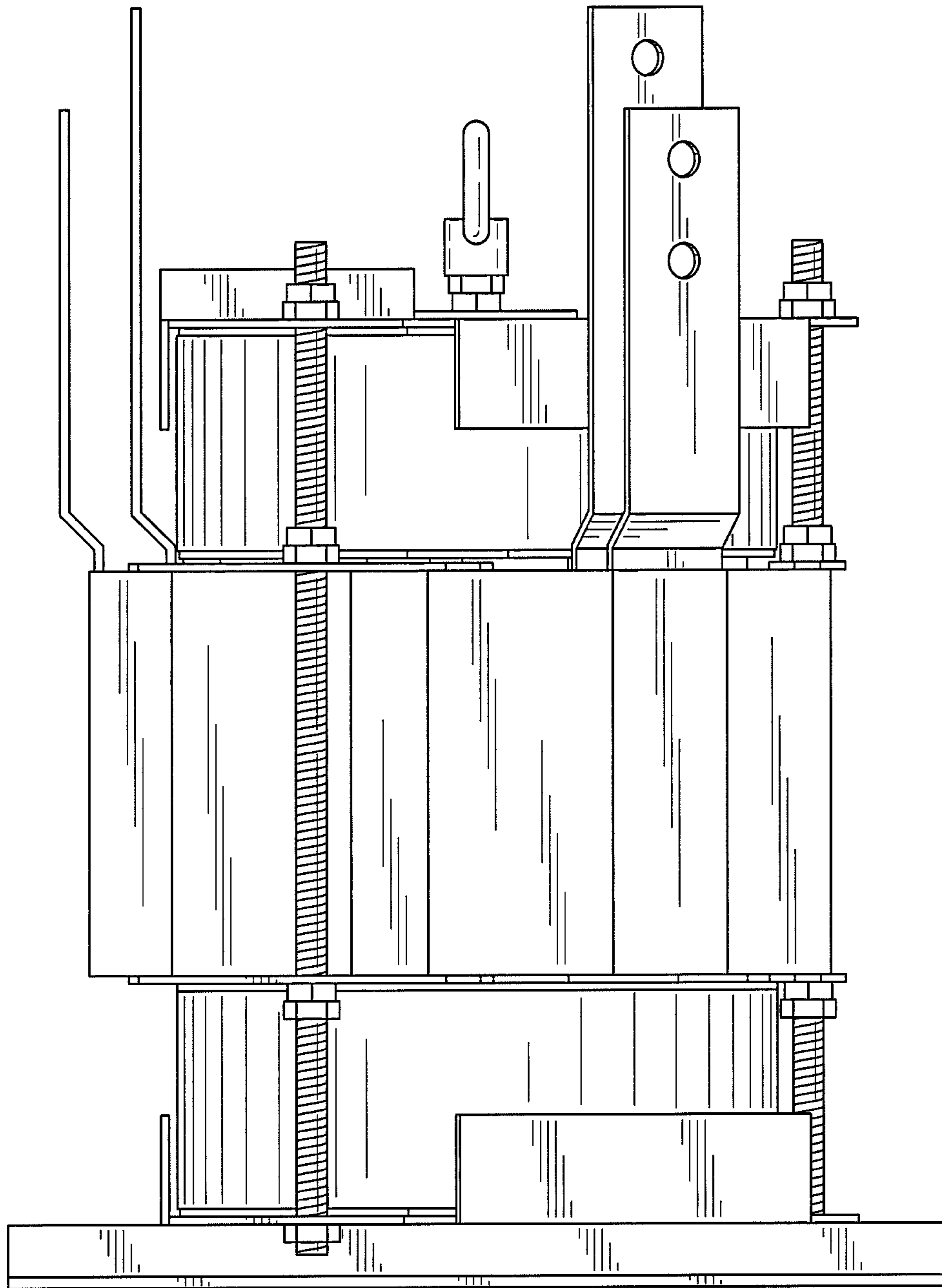


FIG. 5

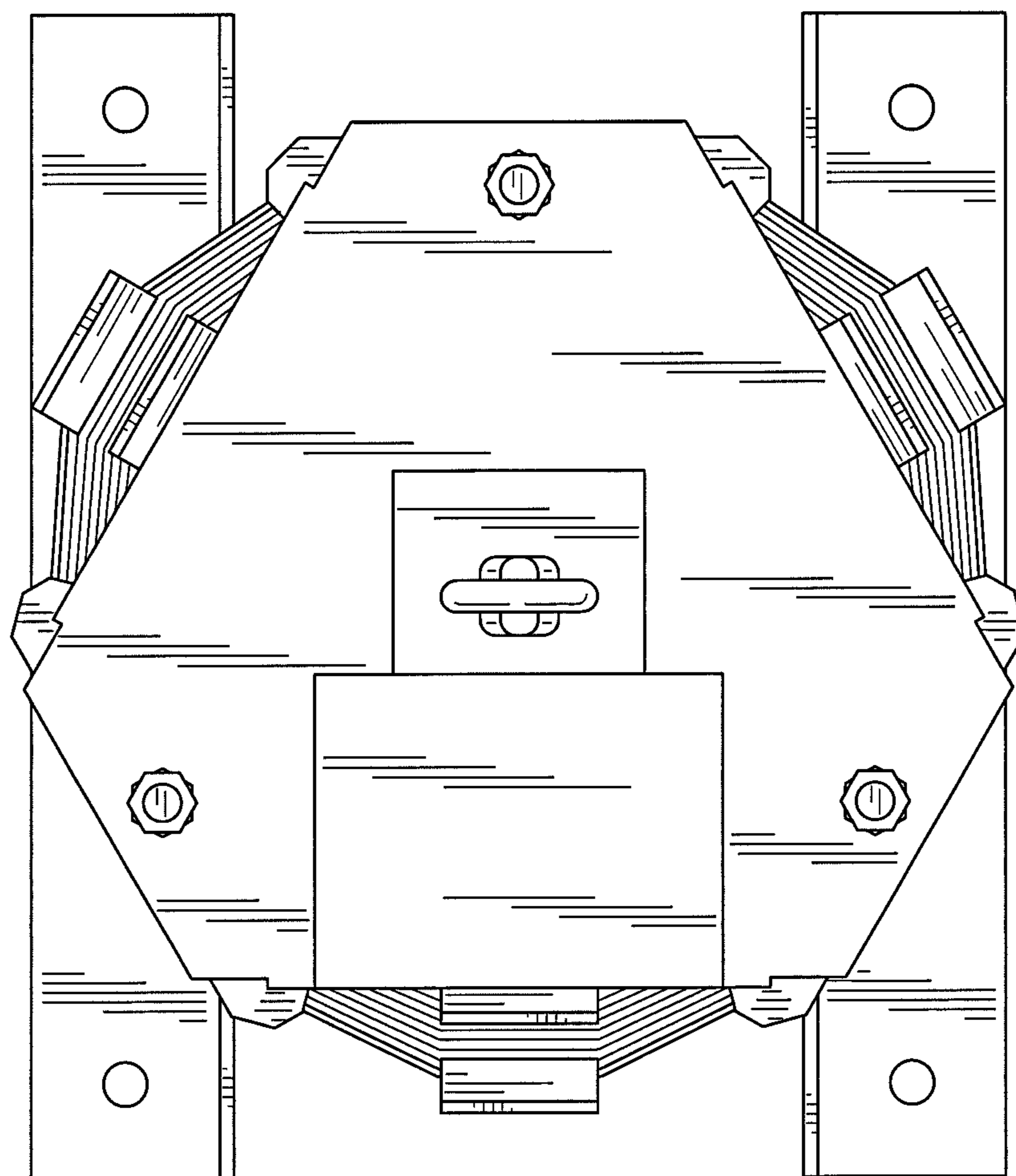


FIG. 6

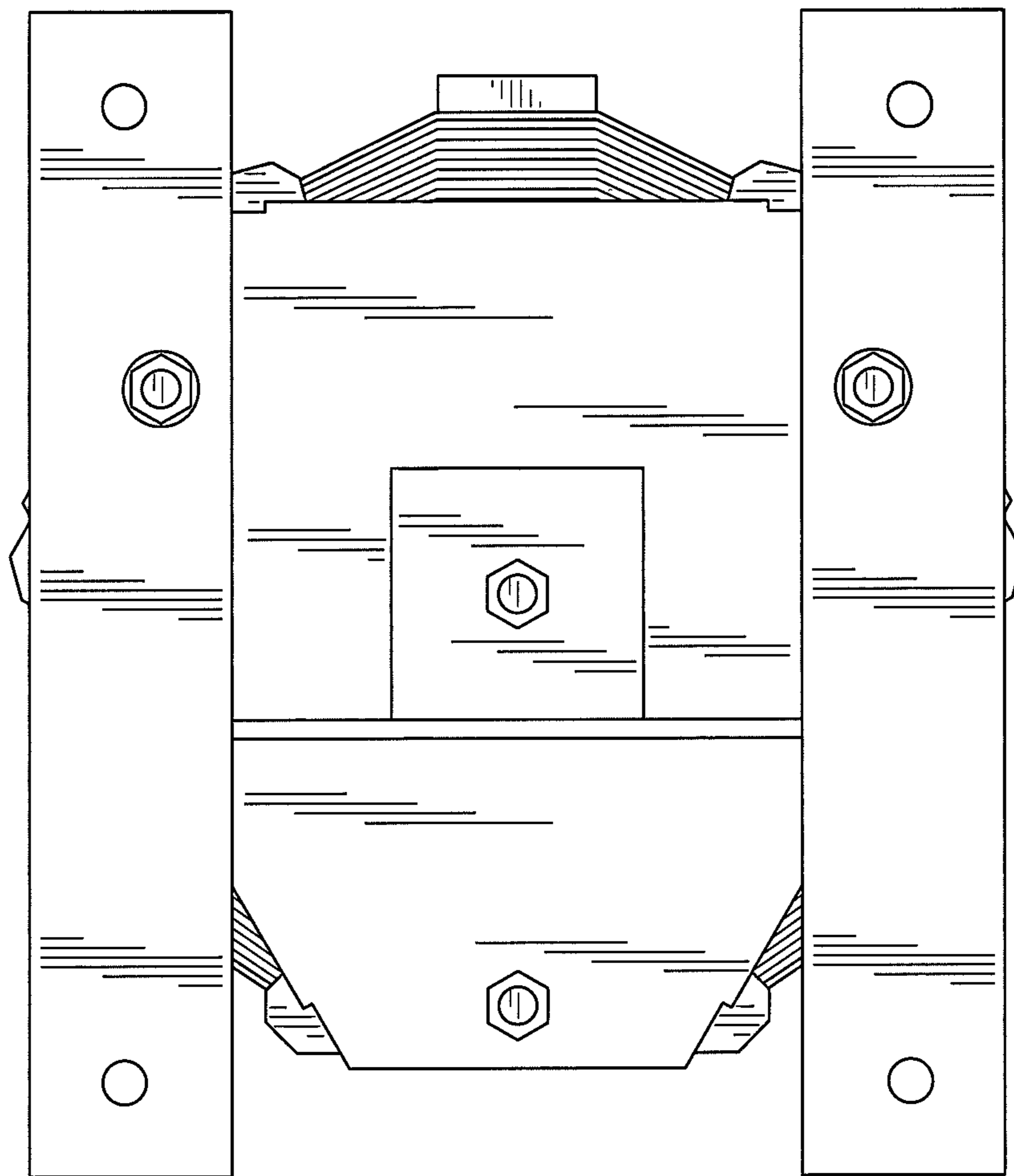


FIG. 7