



US00D714715S

(12) **United States Design Patent**  
**Russell et al.**

(10) **Patent No.:** **US D714,715 S**  
(45) **Date of Patent:** **\*\* Oct. 7, 2014**

(54) **RV GRILL MOUNT**

(71) Applicants: **Jeffrey R. Russell**, Winston-Salem, NC (US); **Robert C. Mancari**, High Point, NC (US); **David M. Krawiec**, Greenboro, NC (US)

(72) Inventors: **Jeffrey R. Russell**, Winston-Salem, NC (US); **Robert C. Mancari**, High Point, NC (US); **David M. Krawiec**, Greenboro, NC (US)

(\*\*) Term: **14 Years**

(21) Appl. No.: **29/463,283**

(22) Filed: **Sep. 30, 2013**

(51) **LOC (10) Cl.** ..... **12-16**

(52) **U.S. Cl.**  
USPC ..... **D12/406**

(58) **Field of Classification Search**  
USPC ..... D12/401-414; 280/814; 296/140;  
224/309, 327, 328, 321, 401, 402, 488,  
224/493, 315  
See application file for complete search history.

(56) **References Cited**

**U.S. PATENT DOCUMENTS**

D418,451 S \* 1/2000 Konecheck ..... D12/101

D508,014 S \* 8/2005 Heravi ..... D12/406  
D528,965 S \* 9/2006 Wang ..... D12/406  
D548,670 S \* 8/2007 Ezra ..... D12/406  
D632,634 S \* 2/2011 Clausen et al. .... D12/406  
D655,237 S \* 3/2012 Marankie ..... D12/406  
D691,518 S \* 10/2013 Monia et al. .... D12/101

\* cited by examiner

*Primary Examiner* — Katrina A Betton

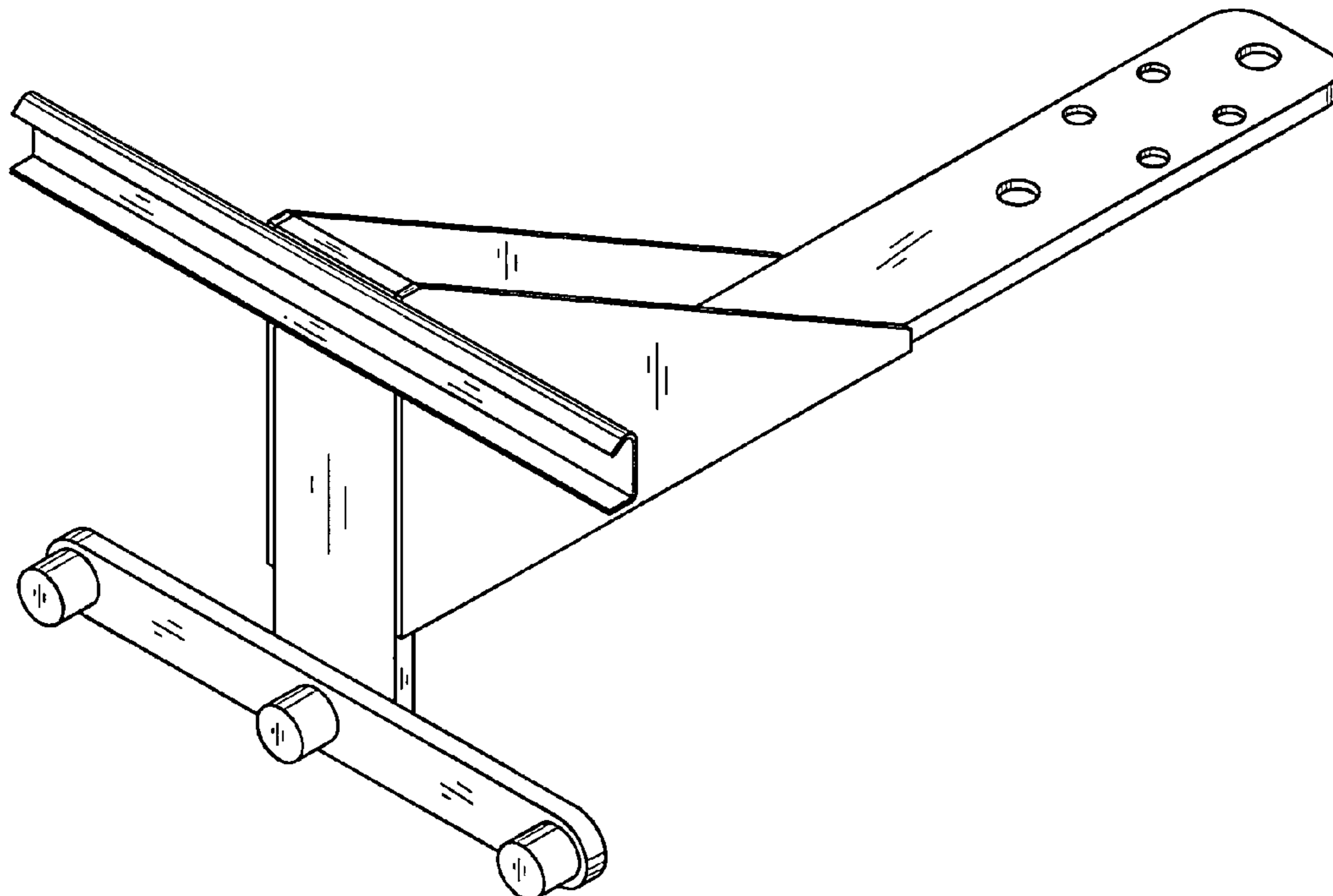
(57) **CLAIM**

The ornamental design for a RV grill mount, as shown and described.

**DESCRIPTION**

FIG. 1 is a front, top, right perspective view of a RV grill mount according to the invention;  
FIG. 2 is a front elevation view of a RV grill mount according to the invention thereof;  
FIG. 3 is a rear elevation view thereof;  
FIG. 4 is a left side elevational view thereof;  
FIG. 5 is an top plan view thereof;  
FIG. 6 is an bottom plan view thereof; and,  
FIG. 7 is a top, rear, left perspective view thereof.

**1 Claim, 7 Drawing Sheets**



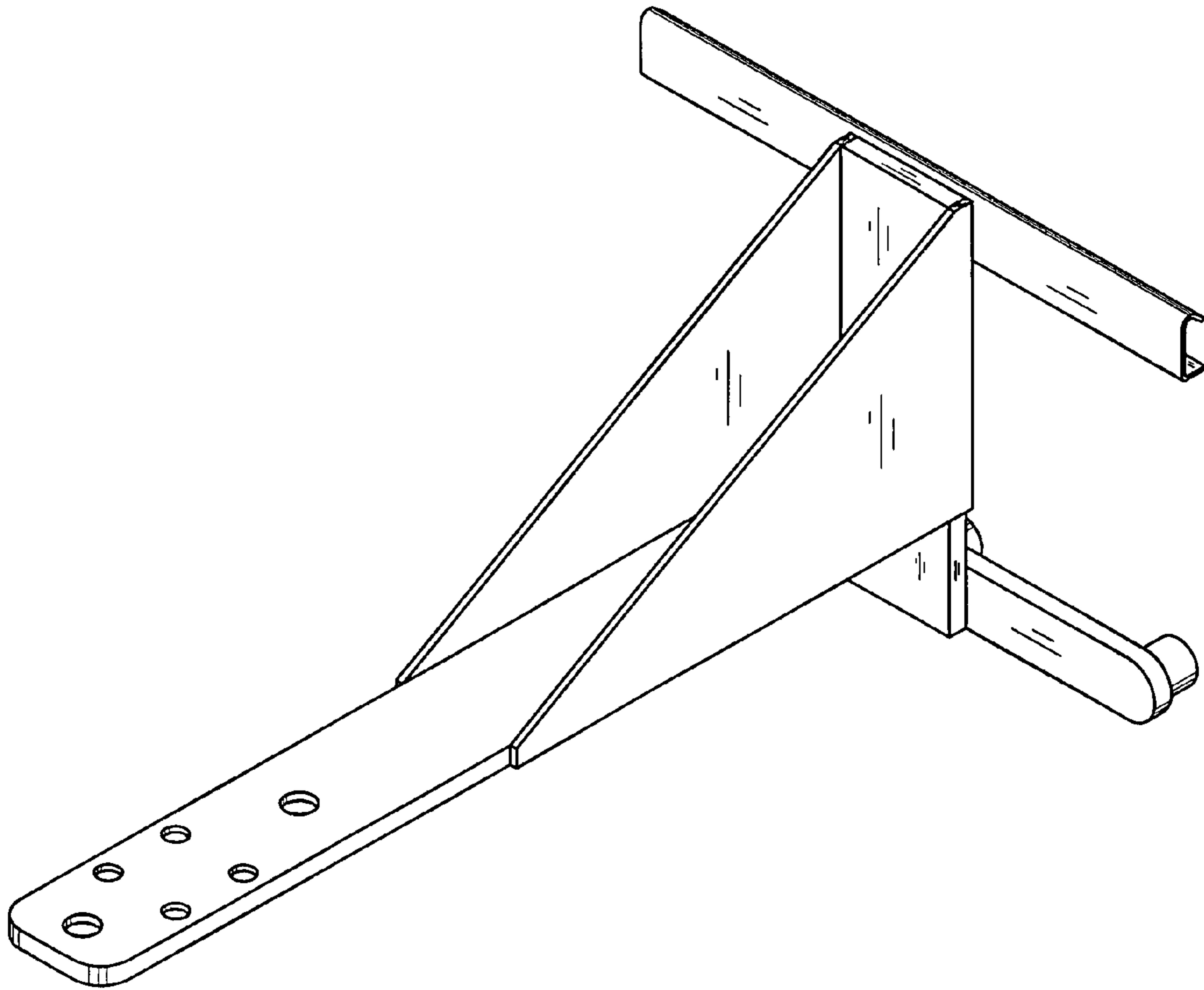


Fig. 1

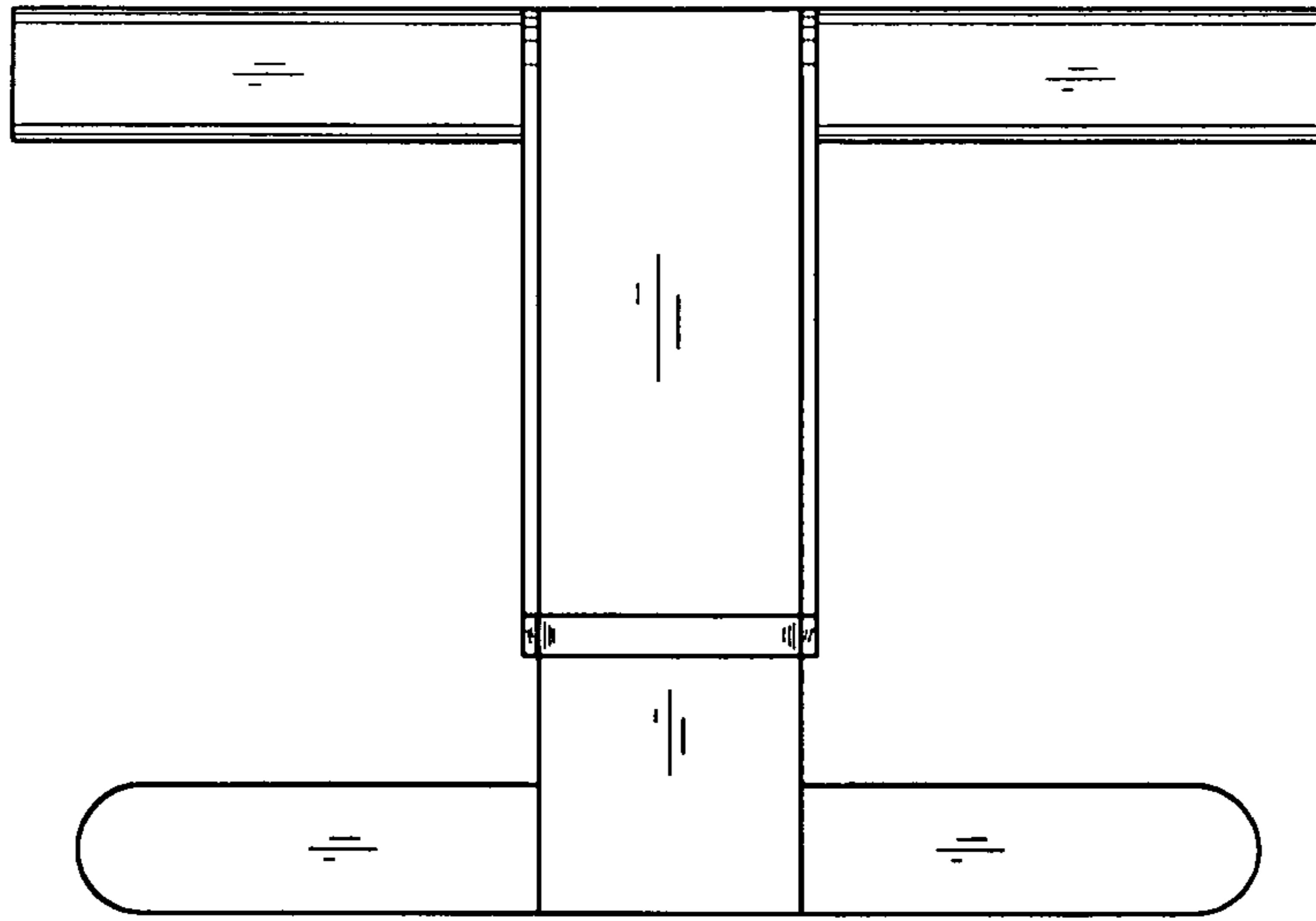


Fig. 2

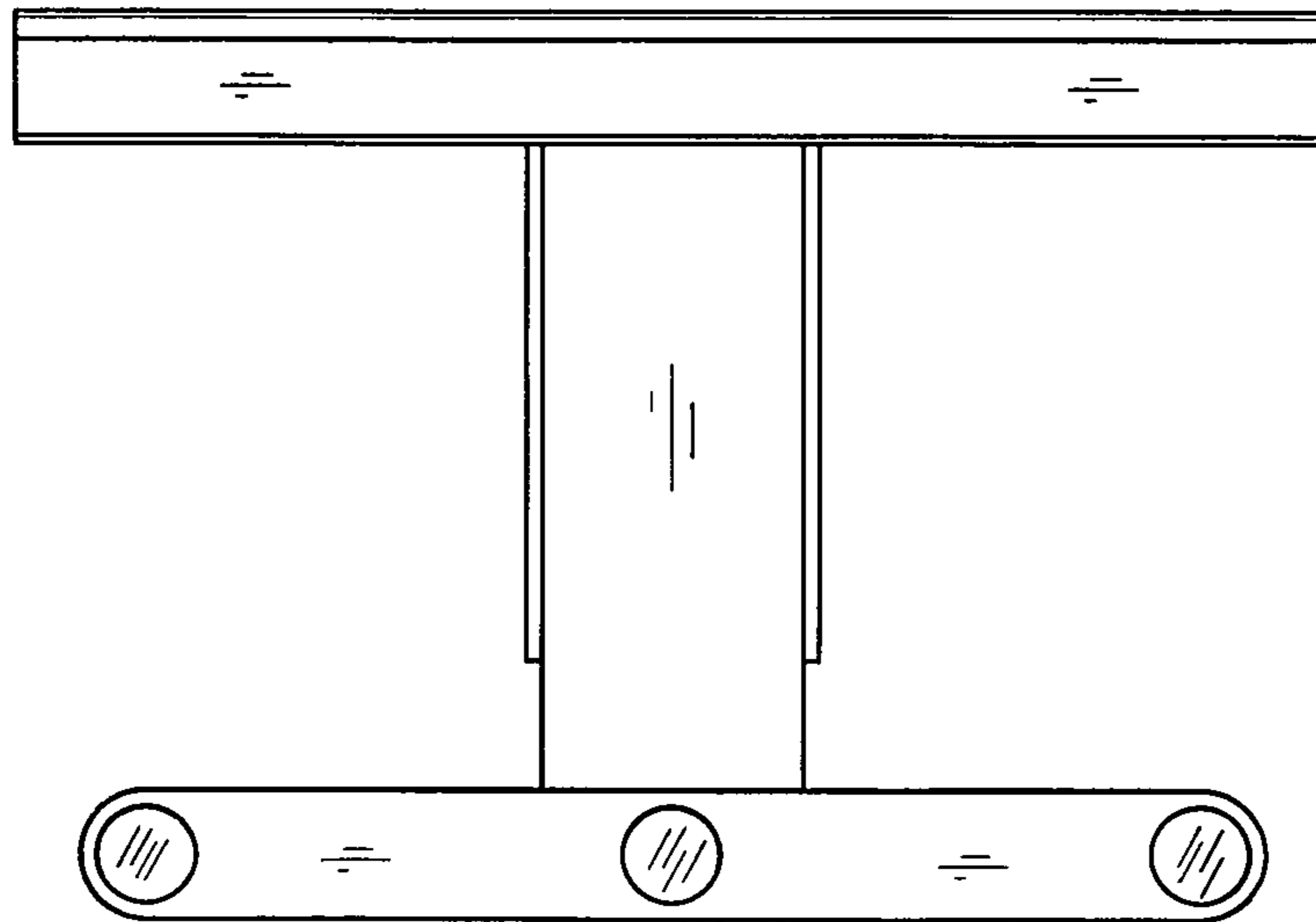


Fig. 3

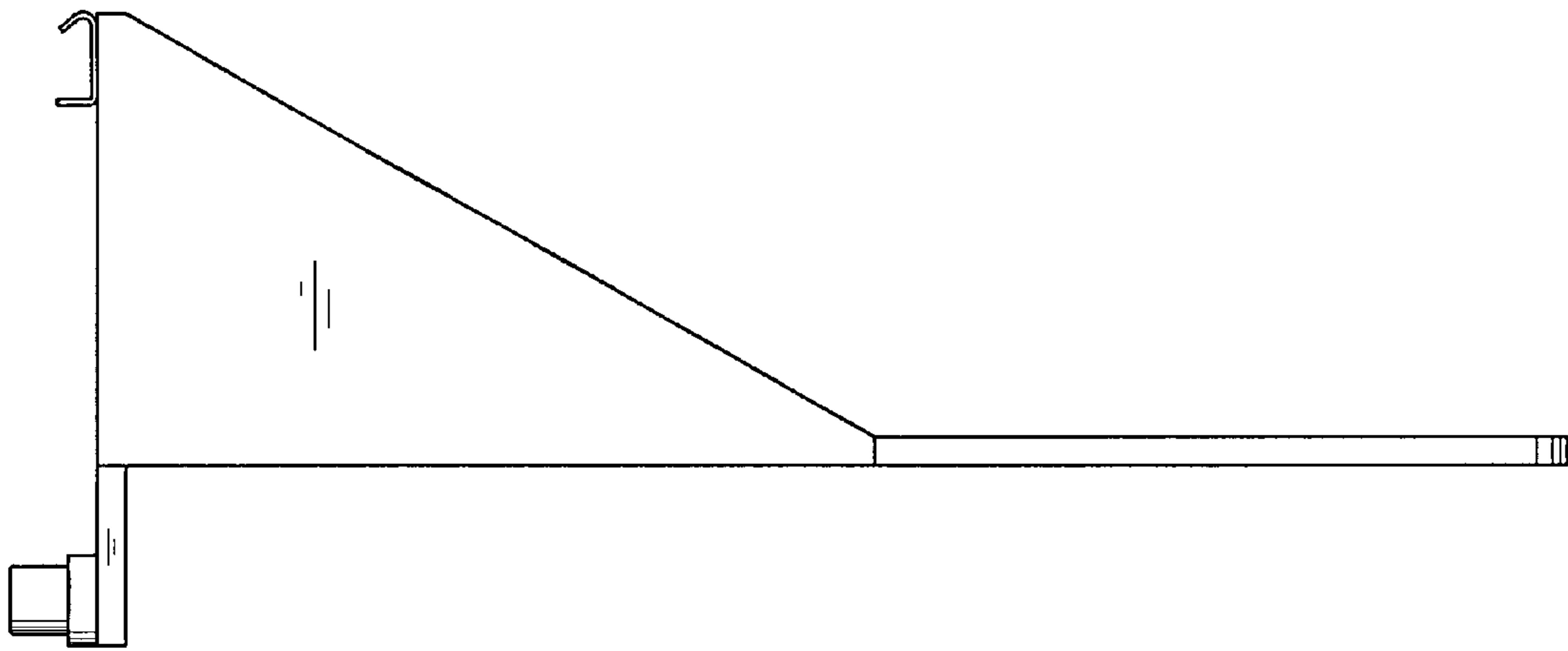


Fig. 4

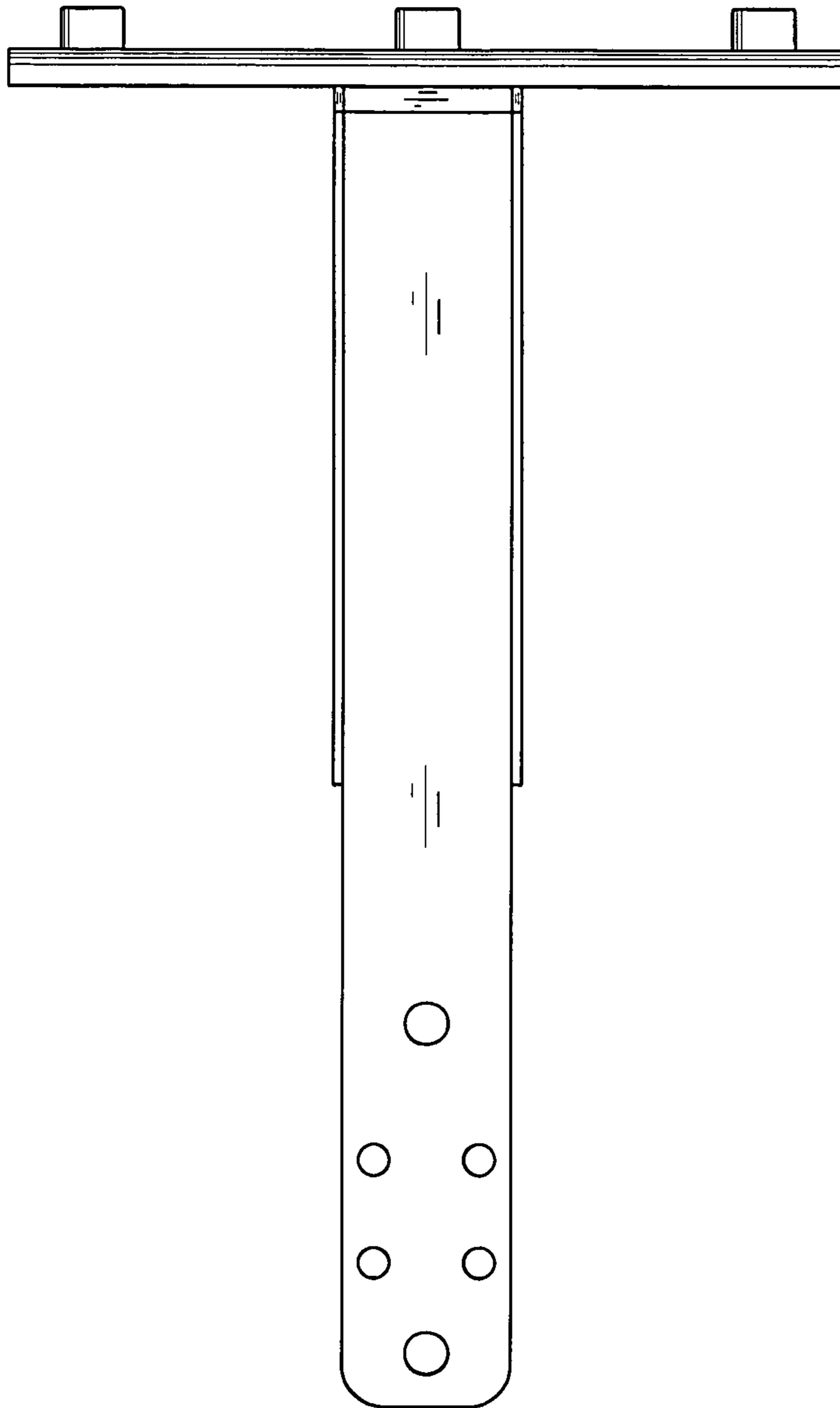


Fig. 5

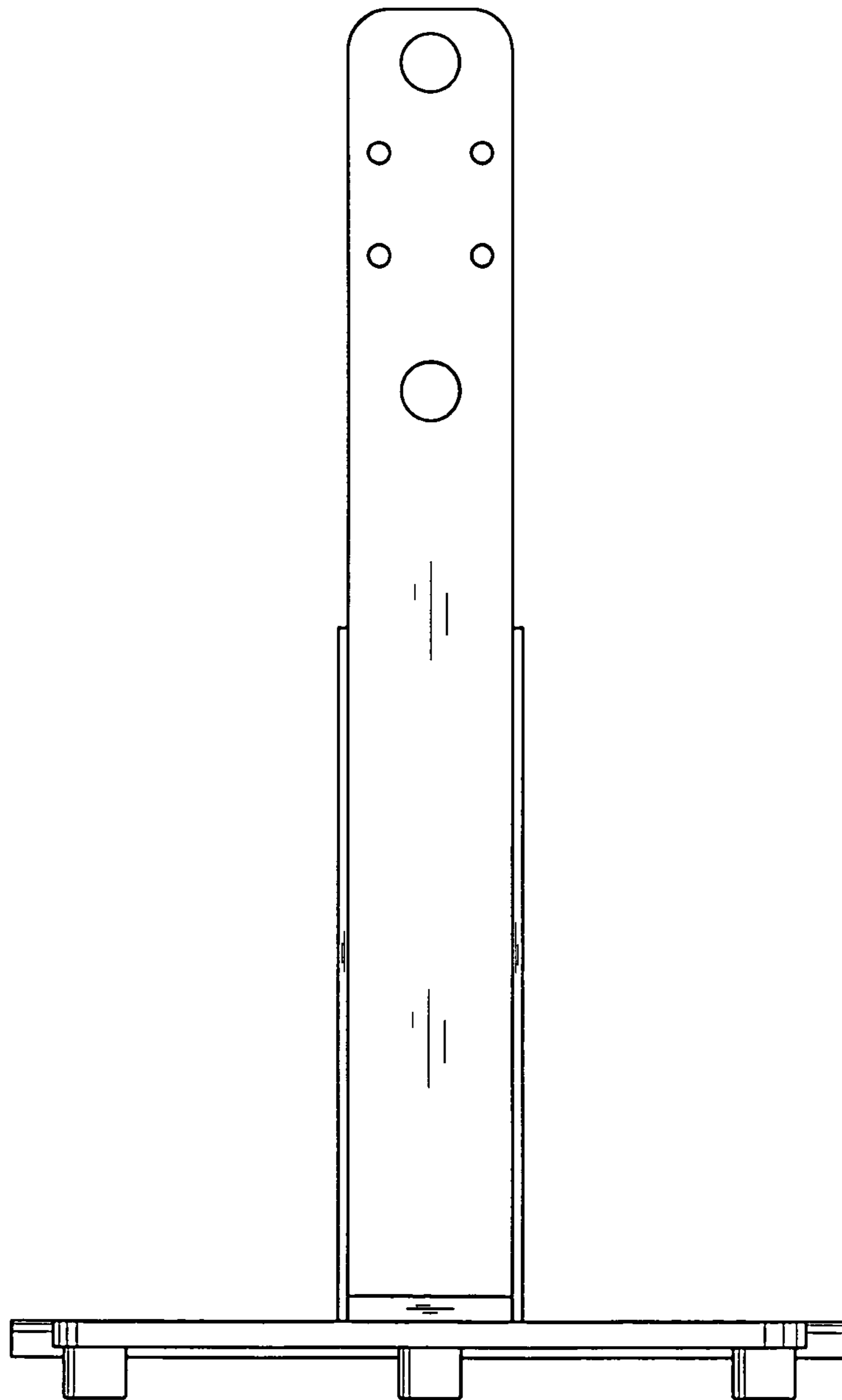


Fig. 6

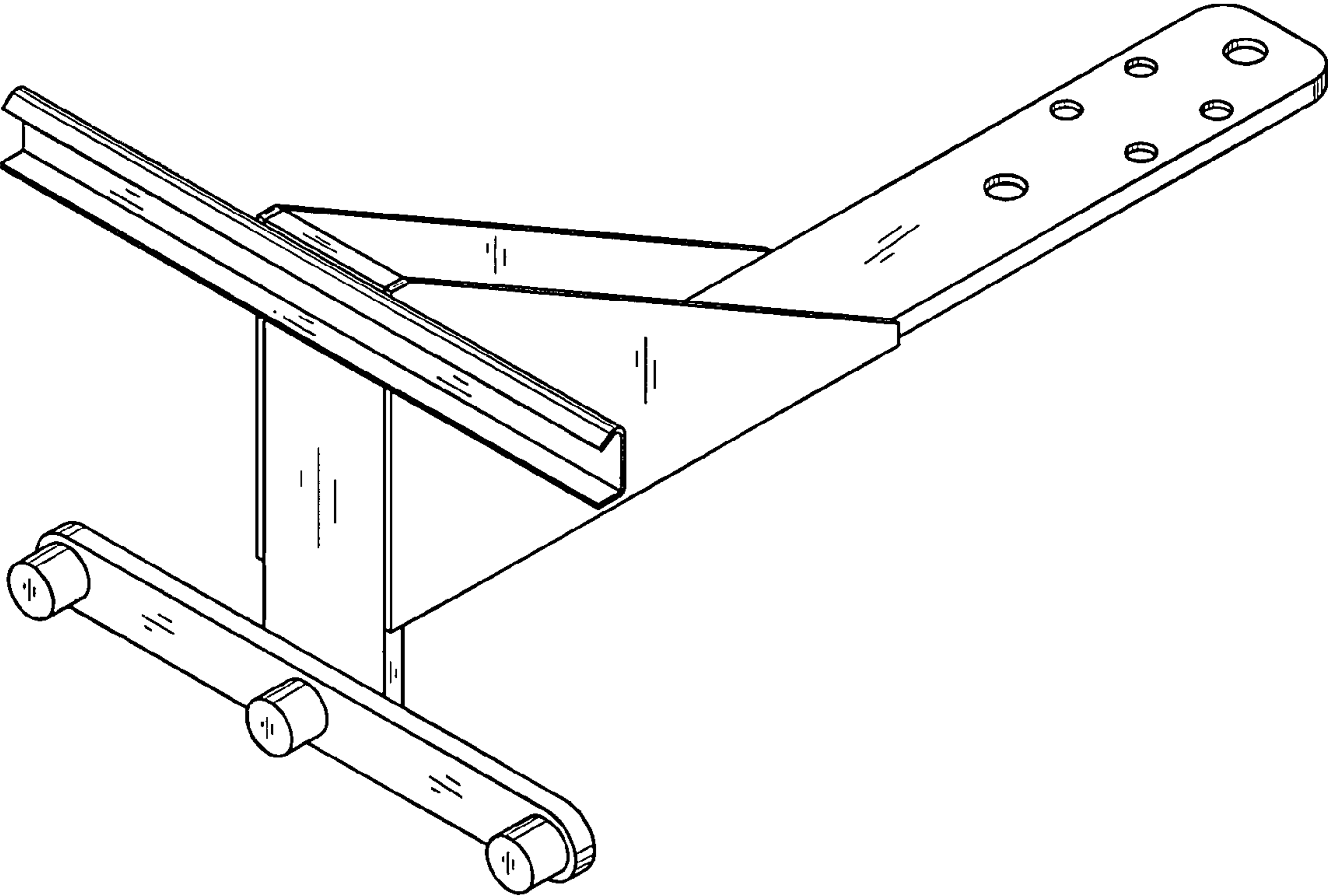


Fig. 7