



US00D714712S

(12) **United States Design Patent**
Bray

(10) **Patent No.:** **US D714,712 S**
(45) **Date of Patent:** **** Oct. 7, 2014**

- (54) **WINGSAIL PROPELLED BOAT**
- (71) Applicant: **Robert Reginald Bray**, Johannesburg (ZA)
- (72) Inventor: **Robert Reginald Bray**, Johannesburg (ZA)
- (**) Term: **14 Years**
- (21) Appl. No.: **29/455,663**
- (22) Filed: **May 23, 2013**
- (30) **Foreign Application Priority Data**

Nov. 28, 2012 (ZA) A2012/02084

- (51) **LOC (10) Cl.** **12-06**
- (52) **U.S. Cl.**
USPC **D12/304**
- (58) **Field of Classification Search**
CPC B63H 9/00; B63H 9/04; B63H 9/06;
B63H 9/0607; B63H 9/0642; B63H 9/0657;
B63H 9/0685; B63B 35/7973; B63B 35/7976;
B63B 35/7983
USPC D12/300, 303, 304, 315, 318;
114/39.11, 39.12, 39.13, 39.14, 39.15,
114/39.21, 39.24, 39.25, 39.26, 39.28,
114/39.31, 102.1, 102.13, 102.29, 102.31,
114/102.32, 102.33, 343, 355; D21/544
See application file for complete search history.

- (56) **References Cited**
U.S. PATENT DOCUMENTS

1,790,309 A	1/1931	Kientz
2,002,806 A	5/1935	Weierich
3,076,623 A	2/1963	Lyon
3,179,357 A	4/1965	Lyon
3,332,383 A	7/1967	Wright
3,716,209 A	2/1973	Pierce

3,753,415 A	8/1973	Burtis	
3,802,366 A *	4/1974	Mankawich	114/39.24
3,987,984 A	10/1976	Fischer	
4,064,821 A	12/1977	Roberts, Jr.	
4,252,287 A	2/1981	Zimmer	
4,341,176 A	7/1982	Orrison	
4,349,169 A	9/1982	McAnally	
4,386,574 A	6/1983	Riolland	
4,530,301 A	7/1985	Latham	
4,538,539 A	9/1985	Martin	
4,624,203 A	11/1986	Ferguson	
4,685,410 A *	8/1987	Fuller	114/39.31
4,895,091 A	1/1990	Elmali	
4,981,099 A *	1/1991	Holder	114/274
5,063,869 A *	11/1991	Bielefeldt	114/39.24
5,114,104 A	5/1992	Cincotta	
5,181,678 A	1/1993	Widnall	

(Continued)

FOREIGN PATENT DOCUMENTS

CZ	300728	7/2009
EP	0453713	10/1991

(Continued)

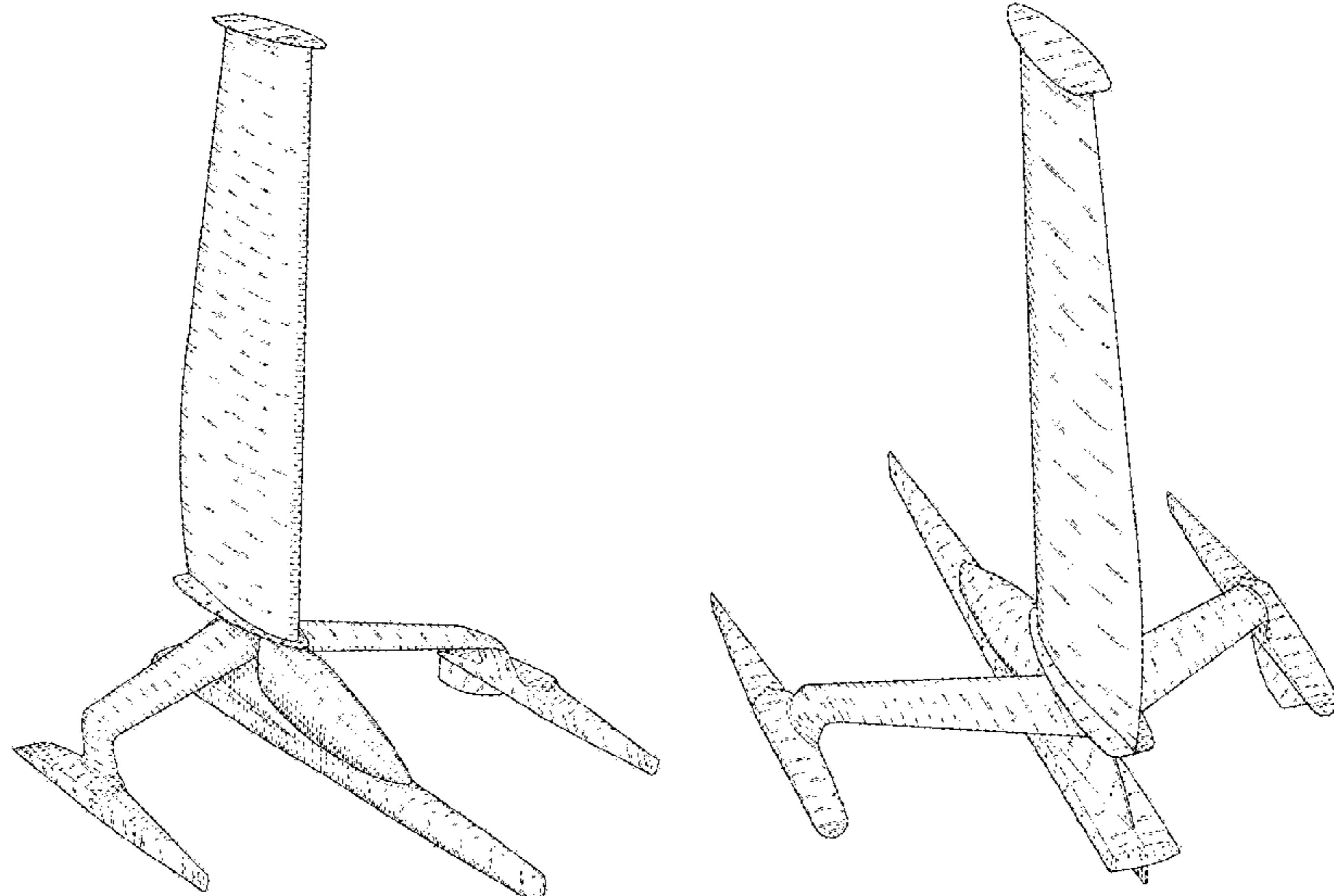
Primary Examiner — Cynthia M Chin
(74) *Attorney, Agent, or Firm* — Haugen Law Firm PLLP

(57) **CLAIM**
The ornamental design for a wingsail propelled boat, as shown and described.

DESCRIPTION

FIG. 1 is a front perspective view of the design;
FIG. 2 is a rear perspective view of the design;
FIG. 3 is front elevational view of the design;
FIG. 4 is a rear elevational view of the design;
FIG. 5 is a top plan view of the design;
FIG. 6 is a bottom plan view of the design;
FIG. 7 is a right side elevational view of the design; and,
FIG. 8 is a left side elevational view of the design.

1 Claim, 8 Drawing Sheets



(56)

References Cited

U.S. PATENT DOCUMENTS

5,186,420 A 2/1993 Beauchamp
 D337,300 S * 7/1993 Bielefeldt D12/303
 5,271,349 A 12/1993 Magrini
 5,367,970 A 11/1994 Beauchamp
 D370,885 S * 6/1996 Brock D12/304
 5,531,407 A 7/1996 Austin
 5,957,071 A * 9/1999 Brock 114/39.11
 6,010,098 A 1/2000 Campanile
 6,045,096 A 4/2000 Rinn
 D445,755 S * 7/2001 Rypinski D12/304
 6,578,507 B1 * 6/2003 Bergmark 114/39.24
 6,644,599 B2 11/2003 Perez

6,691,632 B2 * 2/2004 Stevens 114/39.31
 7,568,442 B2 * 8/2009 Kruppa 114/102.1
 7,918,421 B2 4/2011 Voglsinger et al.
 8,186,631 B2 5/2012 Iannucci
 2010/0050916 A1 * 3/2010 Chen 114/39.15
 2010/0133387 A1 6/2010 Wood et al.

FOREIGN PATENT DOCUMENTS

EP 1535835 6/2005
 WO 8500573 2/1985
 WO 9858839 12/1998
 WO 03082667 10/2003

* cited by examiner

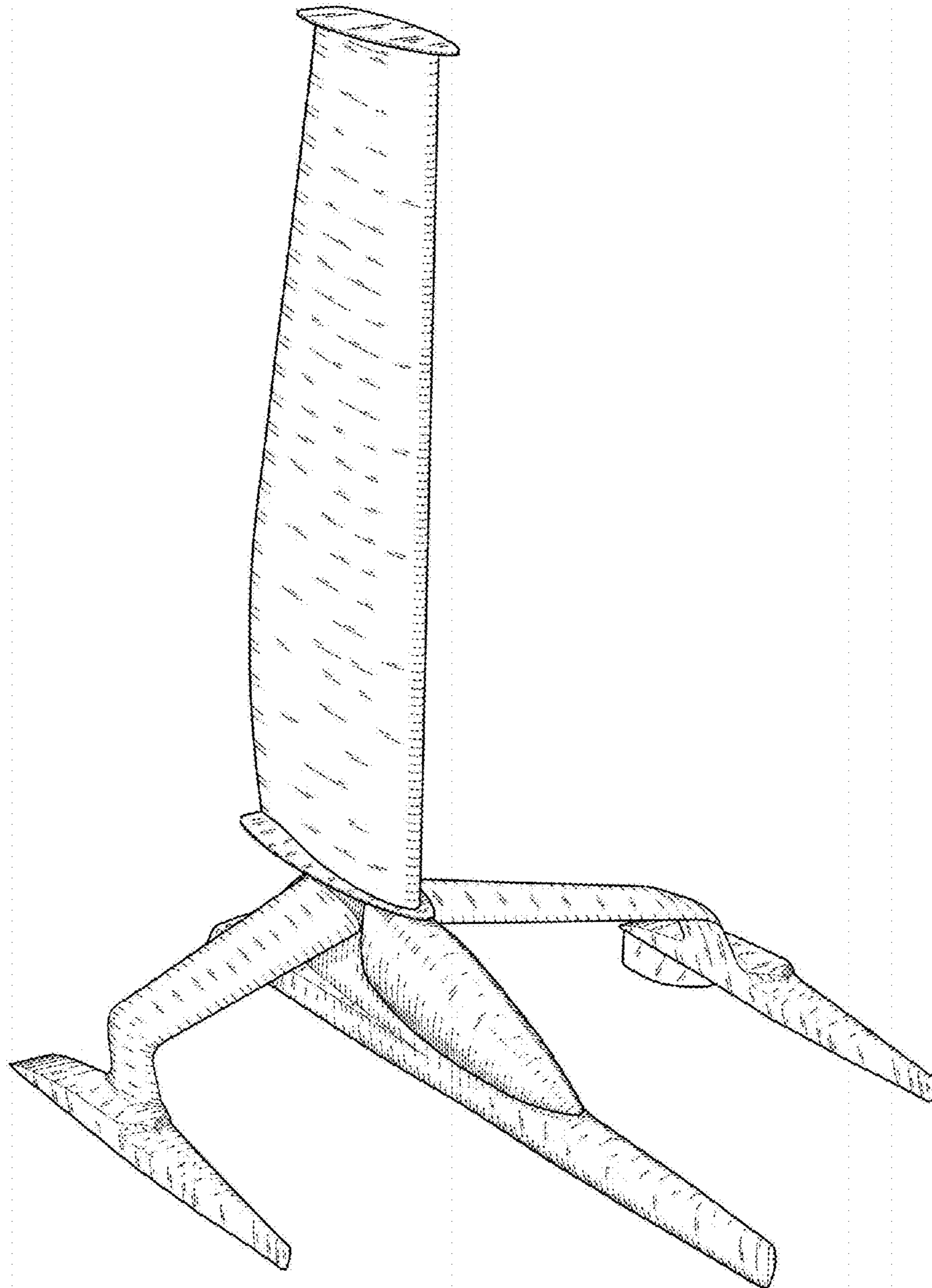


Figure 1

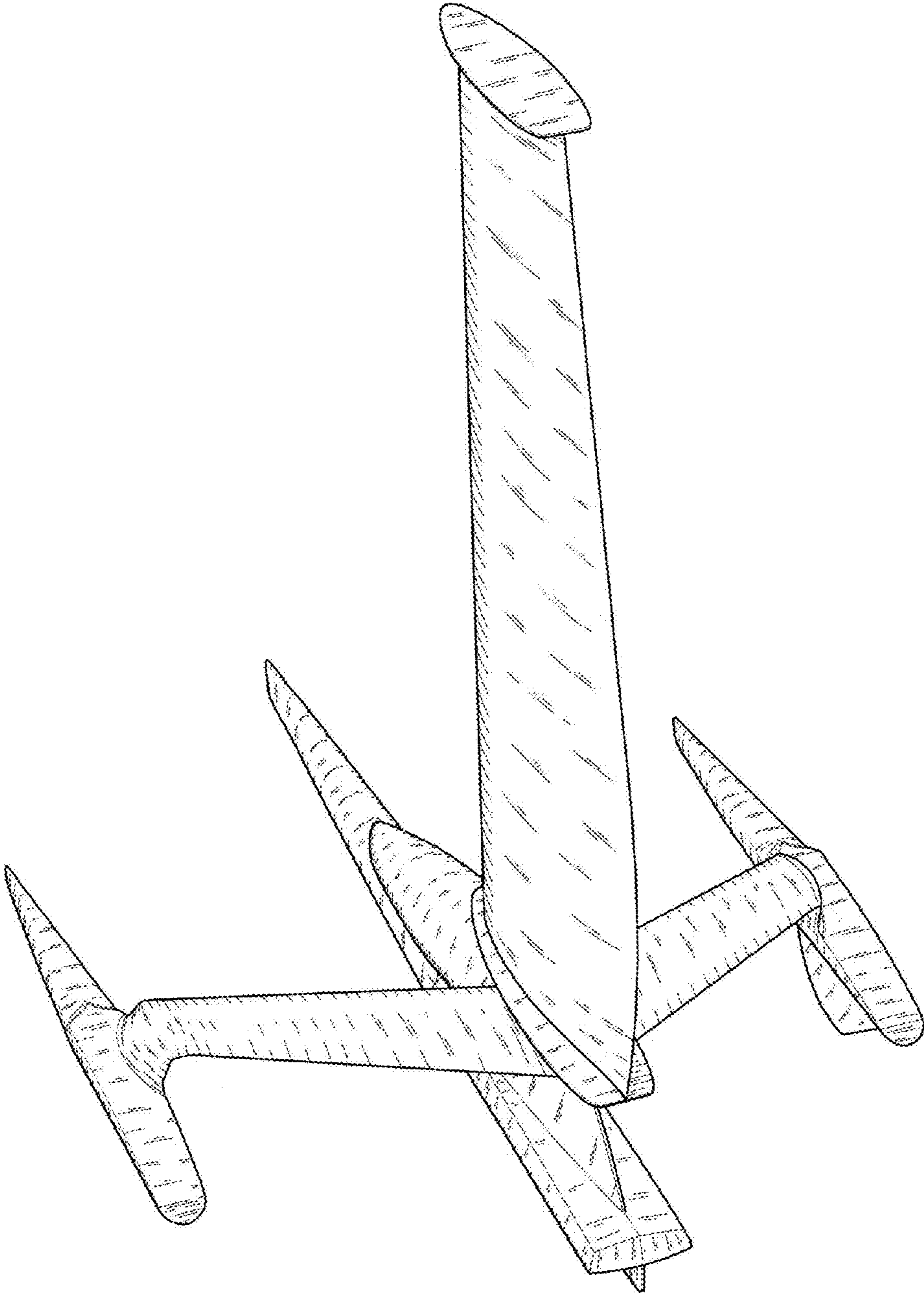


Figure 2

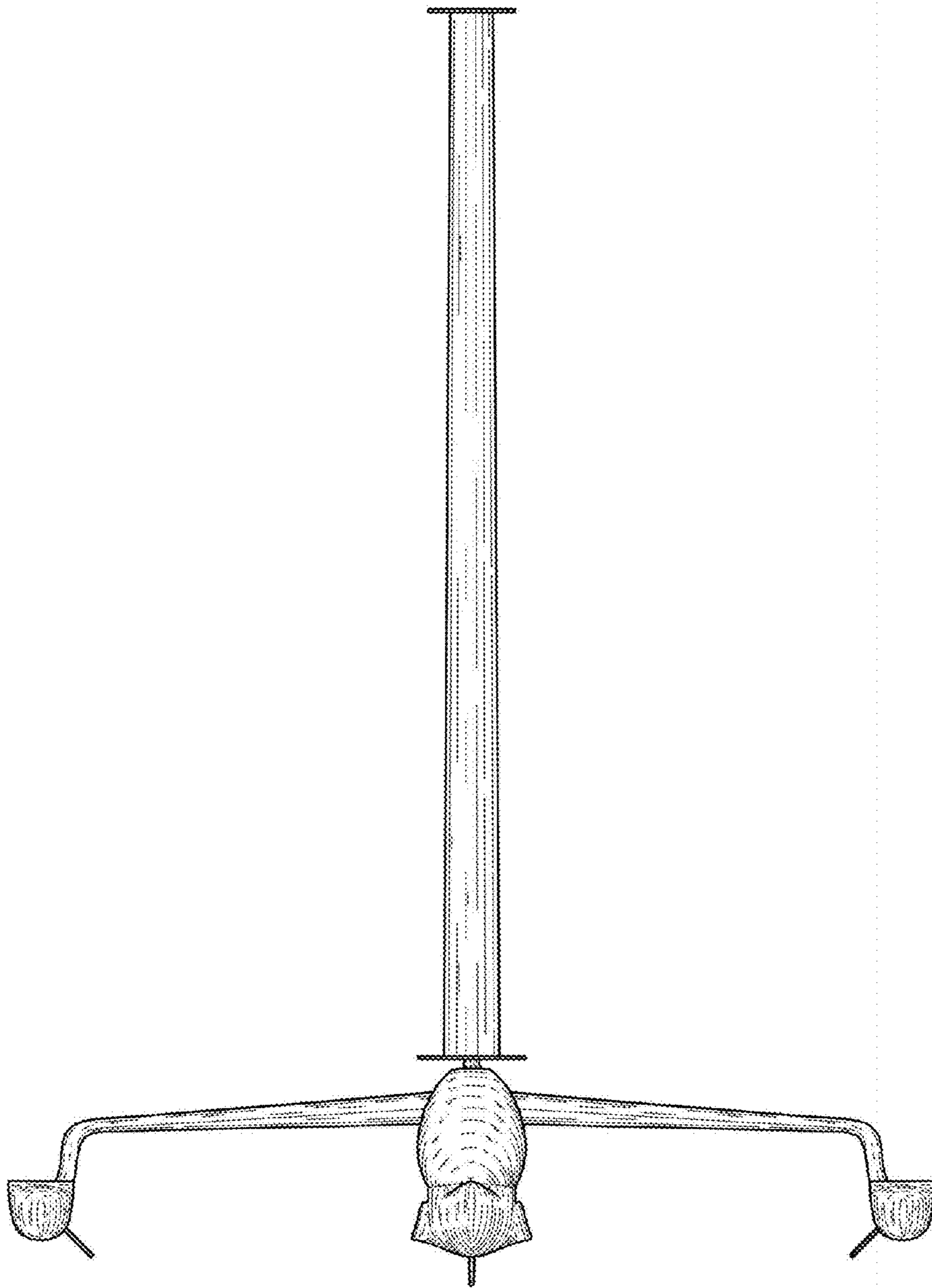


Figure 3

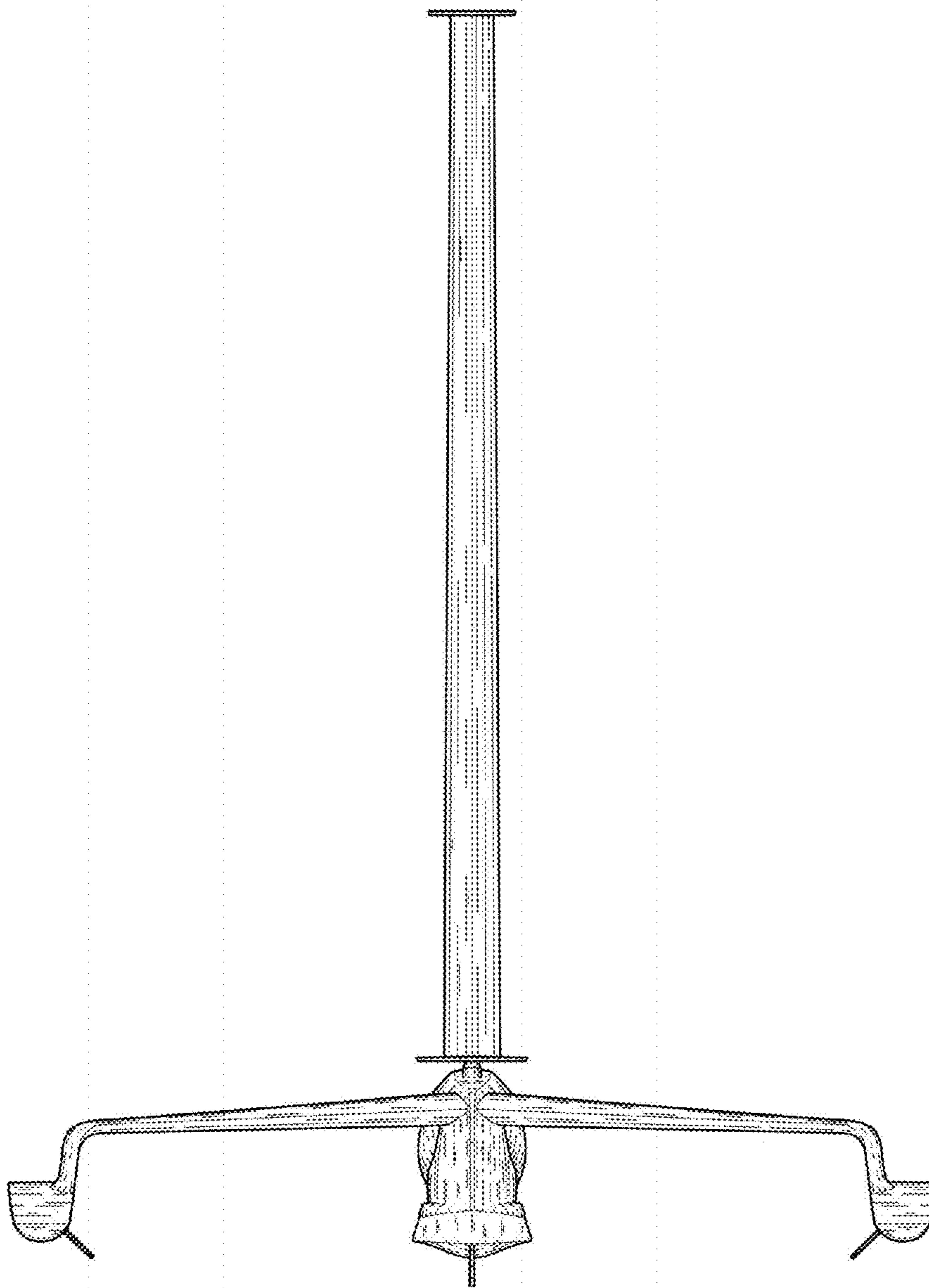


Figure 4

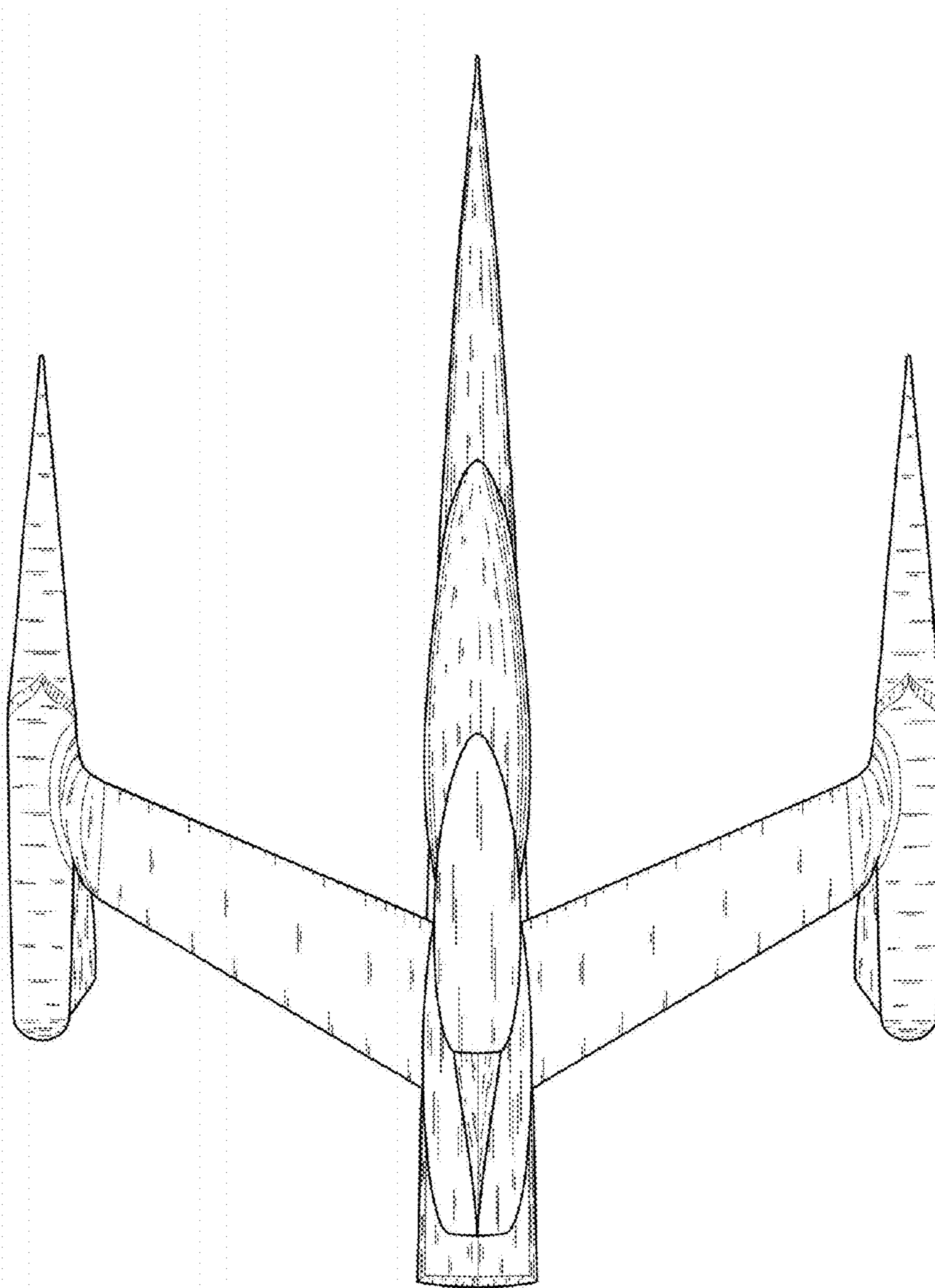


Figure 5

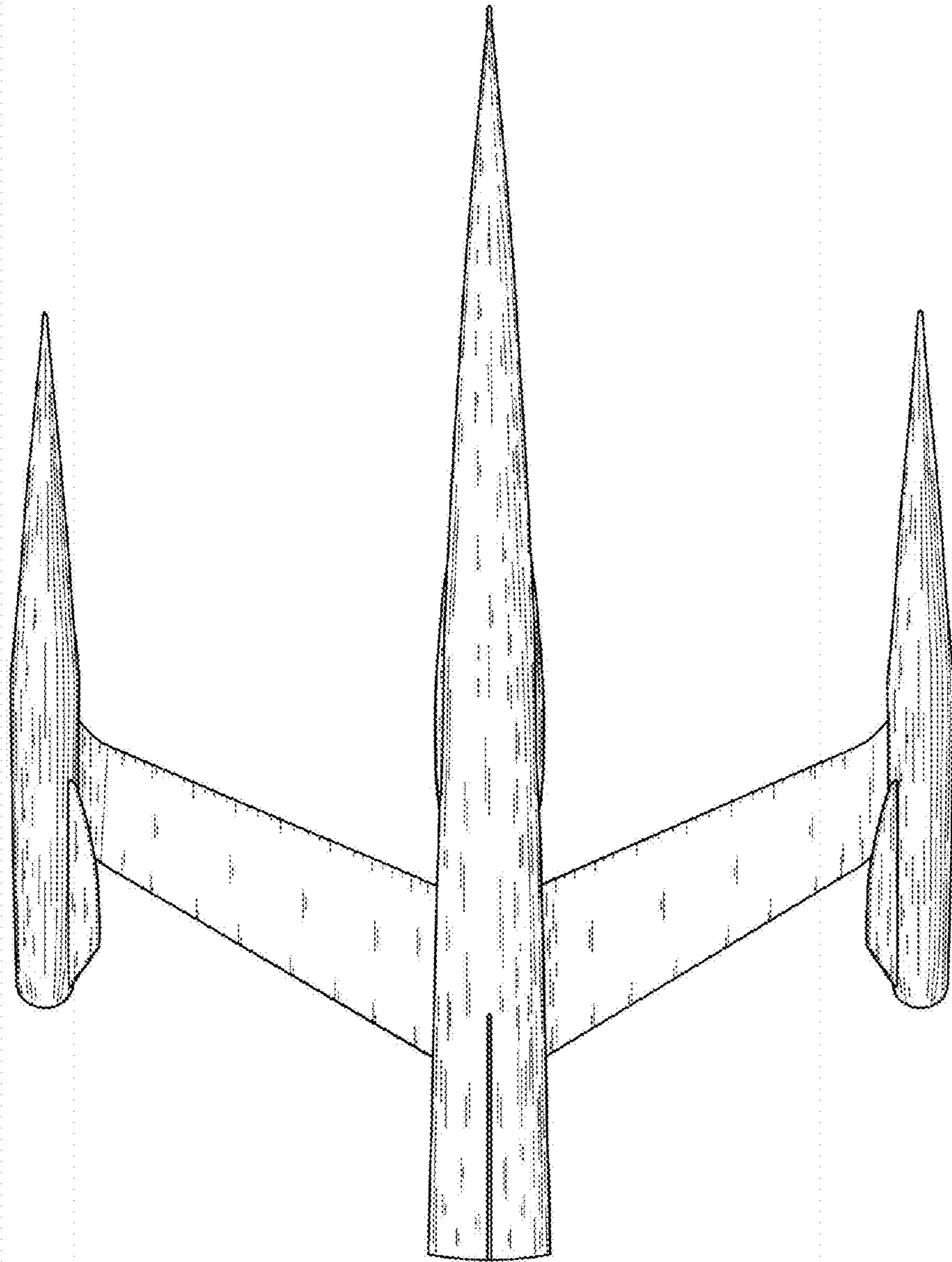


Figure 6

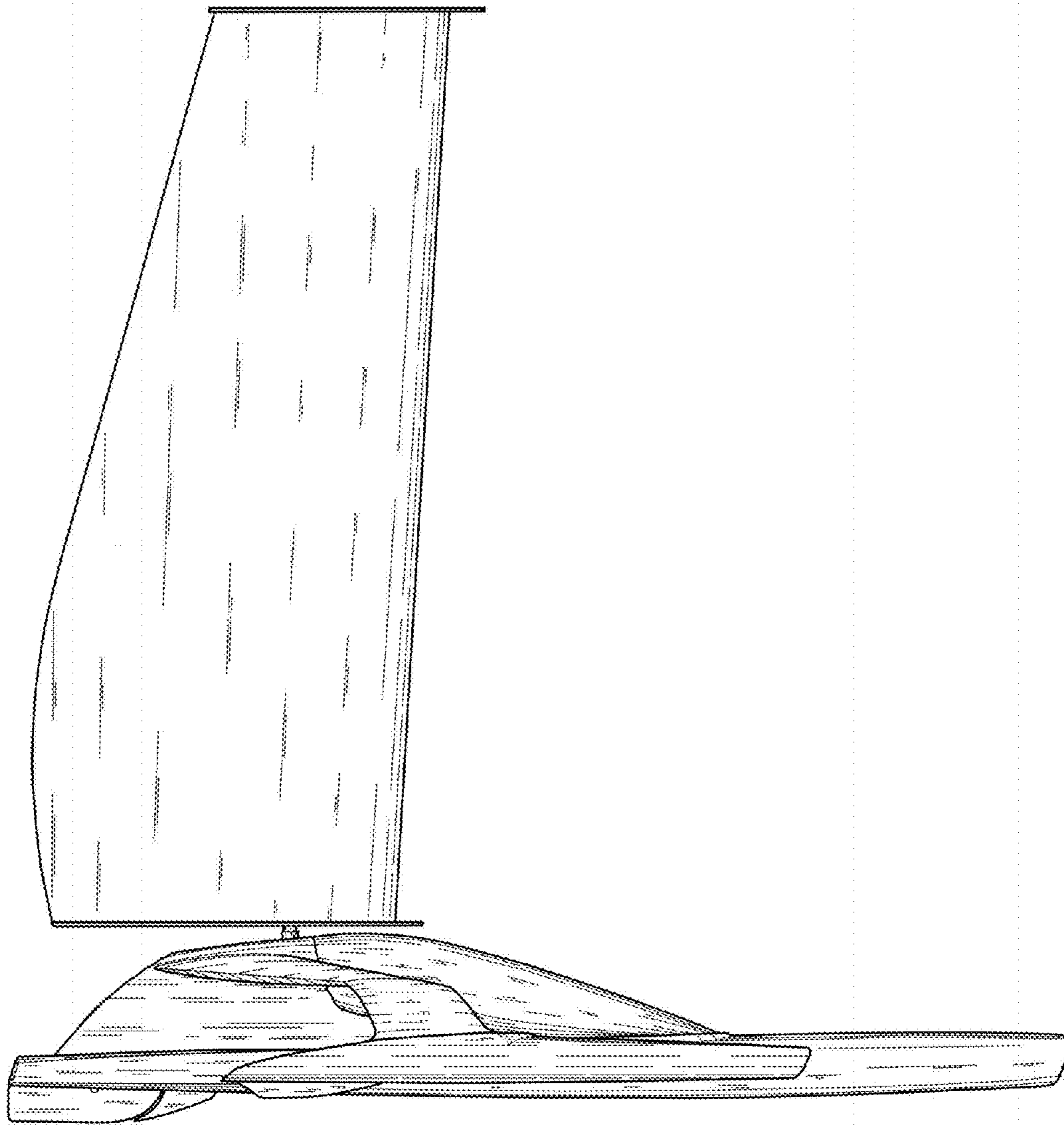


Figure 7

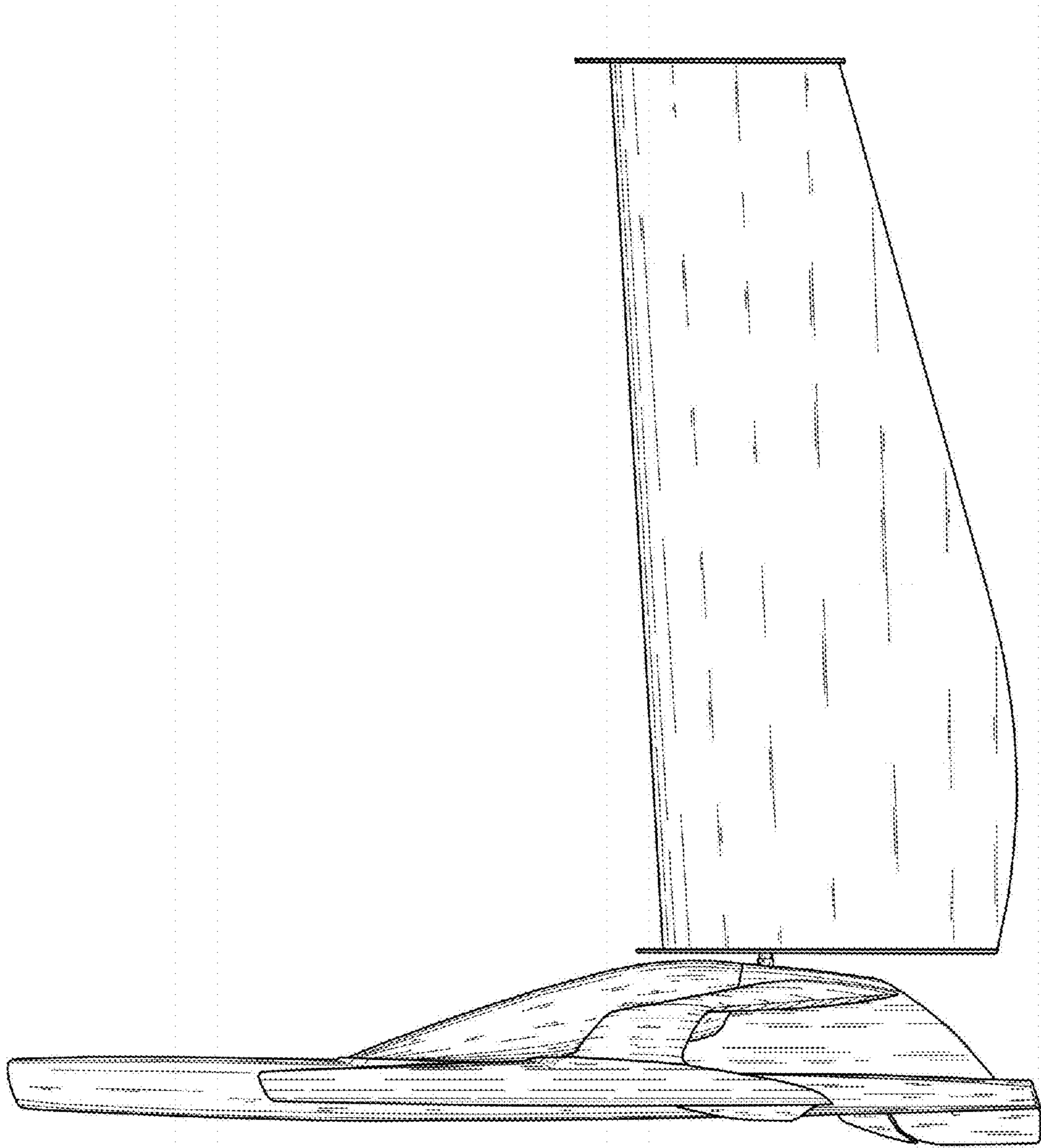


Figure 8