



US00D714710S

(12) **United States Design Patent**
Hall et al.

(10) **Patent No.:** **US D714,710 S**

(45) **Date of Patent:** **** Oct. 7, 2014**

(54) **MIRROR ARM**

(71) Applicants: **Phillip J. Hall**, Corinth, TX (US);
Kunjithapadam Raghavendran,
Denton, TX (US); **Dimitri T. Medina**,
Plano, TX (US); **Kevin Cline**,
Colleyville, TX (US); **Craig Palmer**,
Bellingham, WA (US); **Jeffrey P. Smith**,
Prosper, TX (US)

(72) Inventors: **Phillip J. Hall**, Corinth, TX (US);
Kunjithapadam Raghavendran,
Denton, TX (US); **Dimitri T. Medina**,
Plano, TX (US); **Kevin Cline**,
Colleyville, TX (US); **Craig Palmer**,
Bellingham, WA (US); **Jeffrey P. Smith**,
Prosper, TX (US)

(73) Assignee: **PACCAR Inc**, Bellevue, WA (US)

(**) Term: **14 Years**

(21) Appl. No.: **29/450,665**

(22) Filed: **Mar. 20, 2013**

(51) **LOC (10) Cl.** **12-06**

(52) **U.S. Cl.**
USPC **D12/223; D12/187**

(58) **Field of Classification Search**
USPC D12/223, 187; D8/349, 354, 382;
248/475.1, 483, 200, 300, 576, 617,
248/479-482; D6/300
See application file for complete search history.

(56) **References Cited**

U.S. PATENT DOCUMENTS

D302,964 S	8/1989	Fingerle	
D318,837 S	8/1991	Richardson	
6,276,808 B1 *	8/2001	Foote et al.	359/877
7,270,430 B2 *	9/2007	Olijnyk et al.	359/841
D575,708 S	8/2008	Courbon	
D578,942 S	10/2008	Courbon	
D610,060 S	2/2010	Meier	

D610,513 S	2/2010	Meier	
7,748,857 B2 *	7/2010	Fimeri et al.	359/877
7,856,693 B1	12/2010	Johnson	
D633,424 S *	3/2011	Enz	D12/187
D633,427 S *	3/2011	Marr, Jr.	D12/223
D636,308 S	4/2011	Reimchen	
D690,635 S *	10/2013	Hovind et al.	D12/187
8,657,249 B2 *	2/2014	Courbon et al.	248/479
D702,607 S *	4/2014	Hall et al.	D12/187
D702,621 S *	4/2014	Nosworthy	D12/223

OTHER PUBLICATIONS

“AeroCab,” Kenworth Truck Company, Kirkland, Washington, 1993,
6•page brochure.
“Class Pays, Truck Models,” Peterbilt Motors Company, Denton,
Texas, Mar. 2005, 24•page brochure.

(Continued)

Primary Examiner — Sheryl Lane

(74) *Attorney, Agent, or Firm* — Christensen O’Connor
Johnson Kindness PLLC

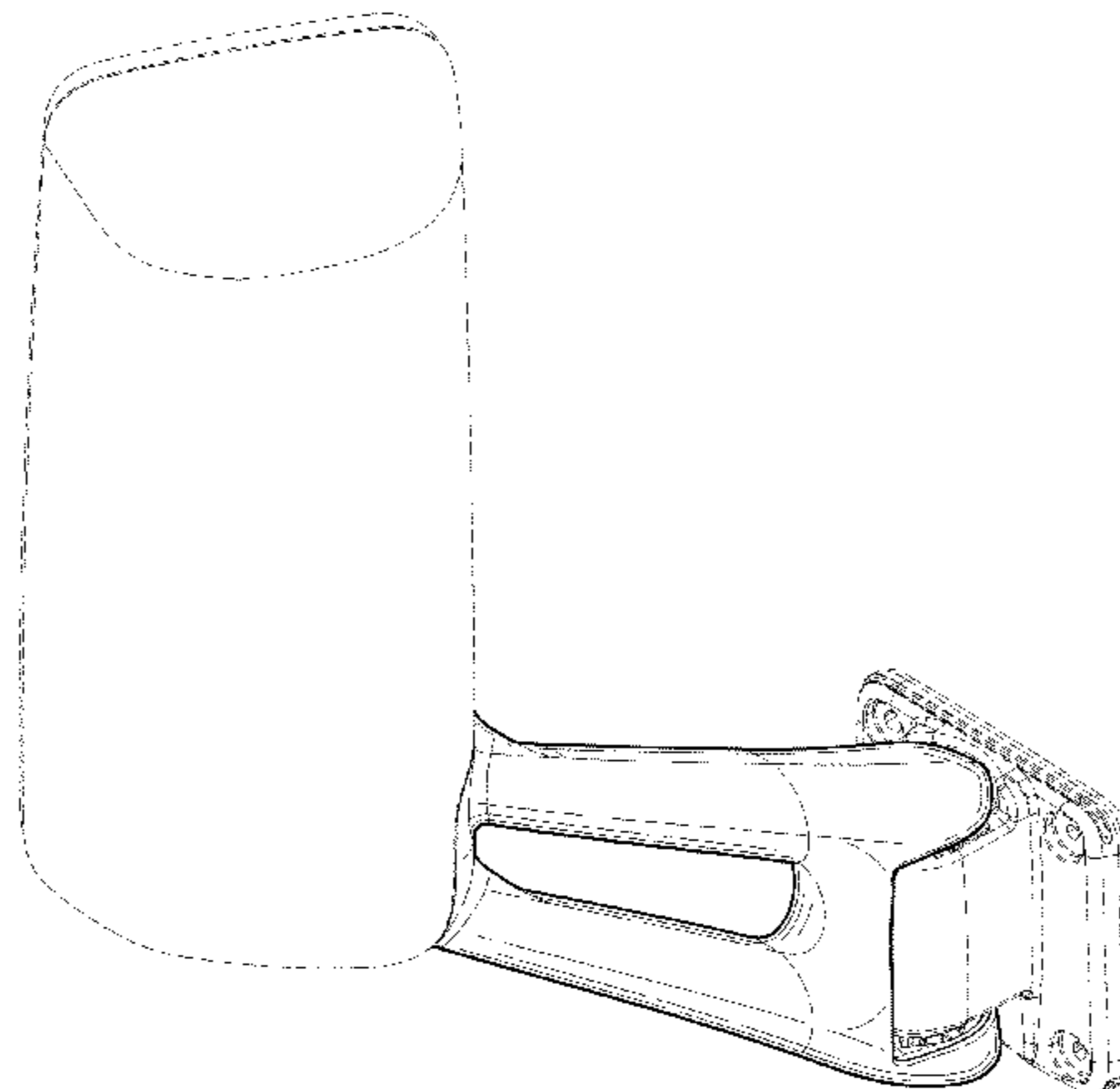
(57) **CLAIM**

The ornamental design for a mirror arm, as shown and
described.

DESCRIPTION

FIG. 1 is a front perspective view of the mirror arm in accor-
dance with our new design;
FIG. 2 is another perspective view of the mirror arm of FIG.
1;
FIG. 3 is a front view of the mirror arm of FIG. 2;
FIG. 4 is a rear view of the mirror arm of FIG. 2;
FIG. 5 is a side view of the mirror arm taken from the right
side of FIG. 2;
FIG. 6 is a top view of mirror arm of FIG. 2; and,
FIG. 7 is a bottom view of the mirror arm of FIG. 2.
The broken lines immediately adjacent the shaded areas as
depicted in the figures, represent the bounds of the claimed
design while all other broken lines are directed to environ-
ment. All broken lines form no part of the claimed design.

1 Claim, 6 Drawing Sheets



(56)

References Cited

OTHER PUBLICATIONS

“Kenworth Truck Models,” Kenworth Truck Company, Kirkland, Washington, 2010, 16•page brochure.

“Model 375 Standard Specifications,” Peterbilt Motors Company, Newark, California, Sep. 1986, 6•page brochure.

“Model 387,” Peterbilt Motors Company, Denton, Texas, Oct. 2002, 2•page brochure.

“Rest with Class,” Peterbilt Motors Company, Newark, California, Apr. 1978, 4•page brochure.

“T170 Class 5,” Kenworth Truck Company, Kirkland, Washington, 2008, 4•page brochure.

“T2000,” Kenworth Truck Company, Kirkland, Washington, 1999, 20•page brochure.

“T2000,” Kenworth Truck Company, Kirkland, Washington, 2002, 20•page brochure.

“T270 Class 6 and T370 Class 7,” Kenworth Truck Company, Kirkland, Washington, 2008, 6•page brochure.

“T270 Class 6 and T370 Class 7,” Kenworth Truck Company, Kirkland, Washington, 2009, 6•page brochure.

“T270 Class 6 and T370 Class 7 Hybrid,” Kenworth Truck Company, Kirkland, Washington, 2009, 6•page brochure.

“T300,” Kenworth Truck Company, Kirkland, Washington, 2005, 16•page brochure.

“T440,” Kenworth Truck Company, Kirkland, Washington, 2010, 2•page brochure.

“T440,” Kenworth Truck Company, Kirkland, Washington, 2010, 6•page brochure.

“T470,” Kenworth Truck Company, Kirkland, Washington, 2010, 6•page brochure.

“T470H,” Kenworth Truck Company, Kirkland, Washington, 2009, 2•page brochure.

“T600,” Kenworth Truck Company, Kirkland, Washington, 2002, 28•page brochure.

“T600,” Kenworth Truck Company, Kirkland, Washington, 2005, 24•page brochure.

“T660,” Kenworth Truck Company, Kirkland, Washington, 2007, 36•page brochure.

“T660,” Kenworth Truck Company, Kirkland, Washington, 2009, 36•page brochure.

“T700,” Kenworth Truck Company, Kirkland, Washington, 2010, 6•page brochure.

“T800,” Kenworth Truck Company, Kirkland, Washington, 2005, 28•page brochure.

“T800,” Kenworth Truck Company, Kirkland, Washington, 2009, 28•page brochure.

“The Working Class,” Peterbilt Motors Company, Newark, California, Sep. 1976, 6•page brochure.

“C500B,” Kenworth Truck Company, Kirkland, Washington, as early as 1990, 4•page brochure.

* cited by examiner

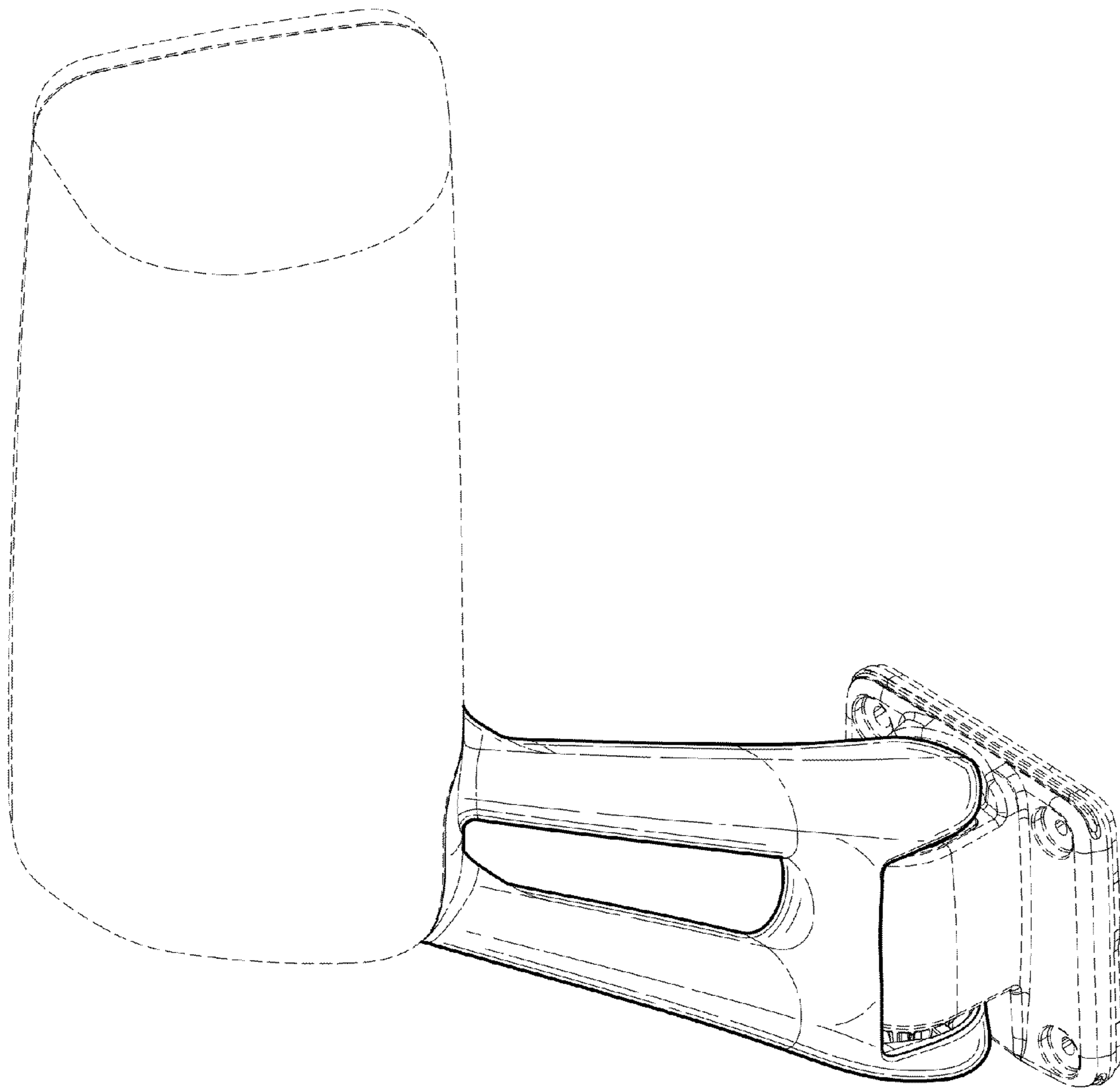


Fig. 1.

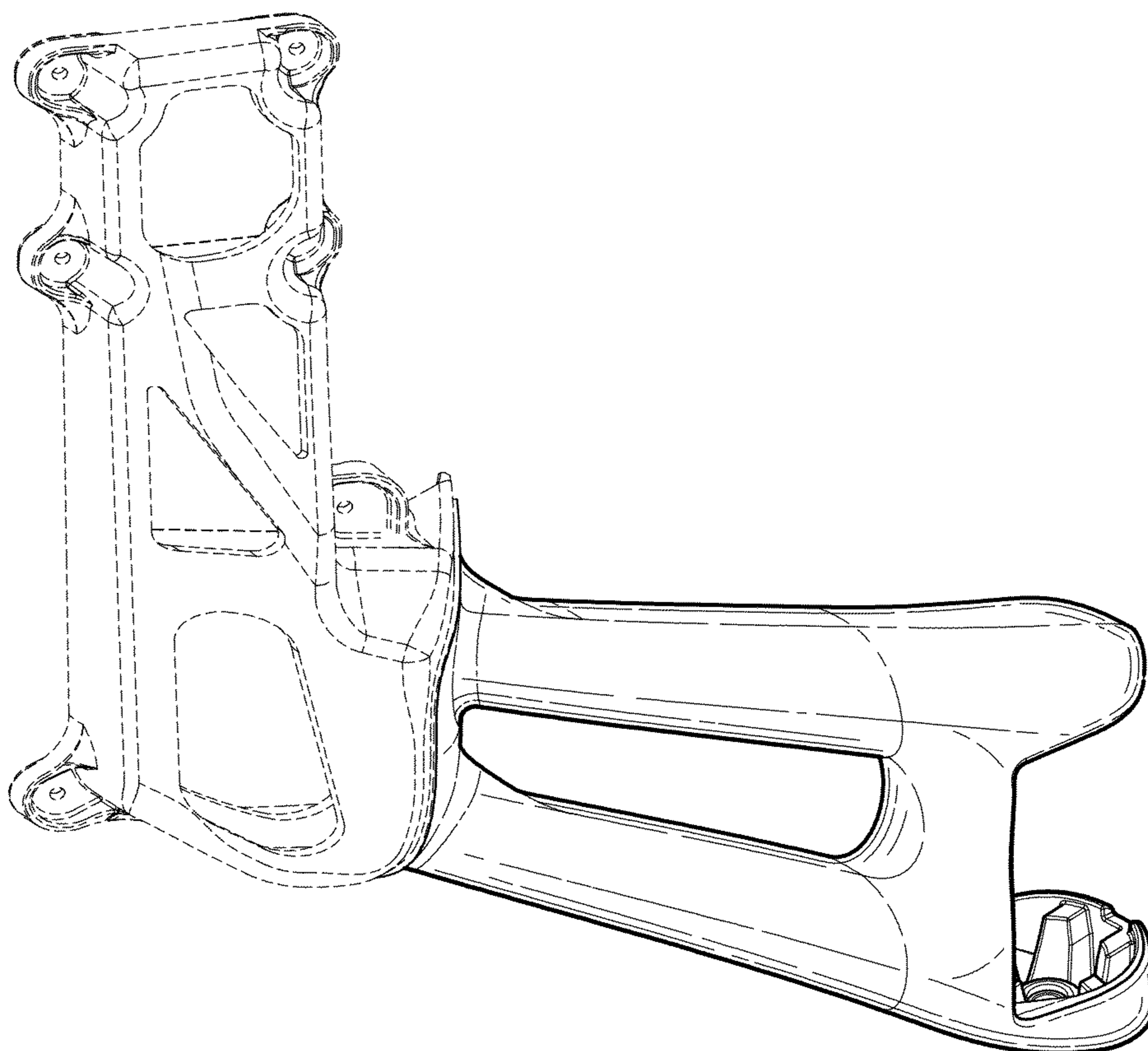


Fig. 2.

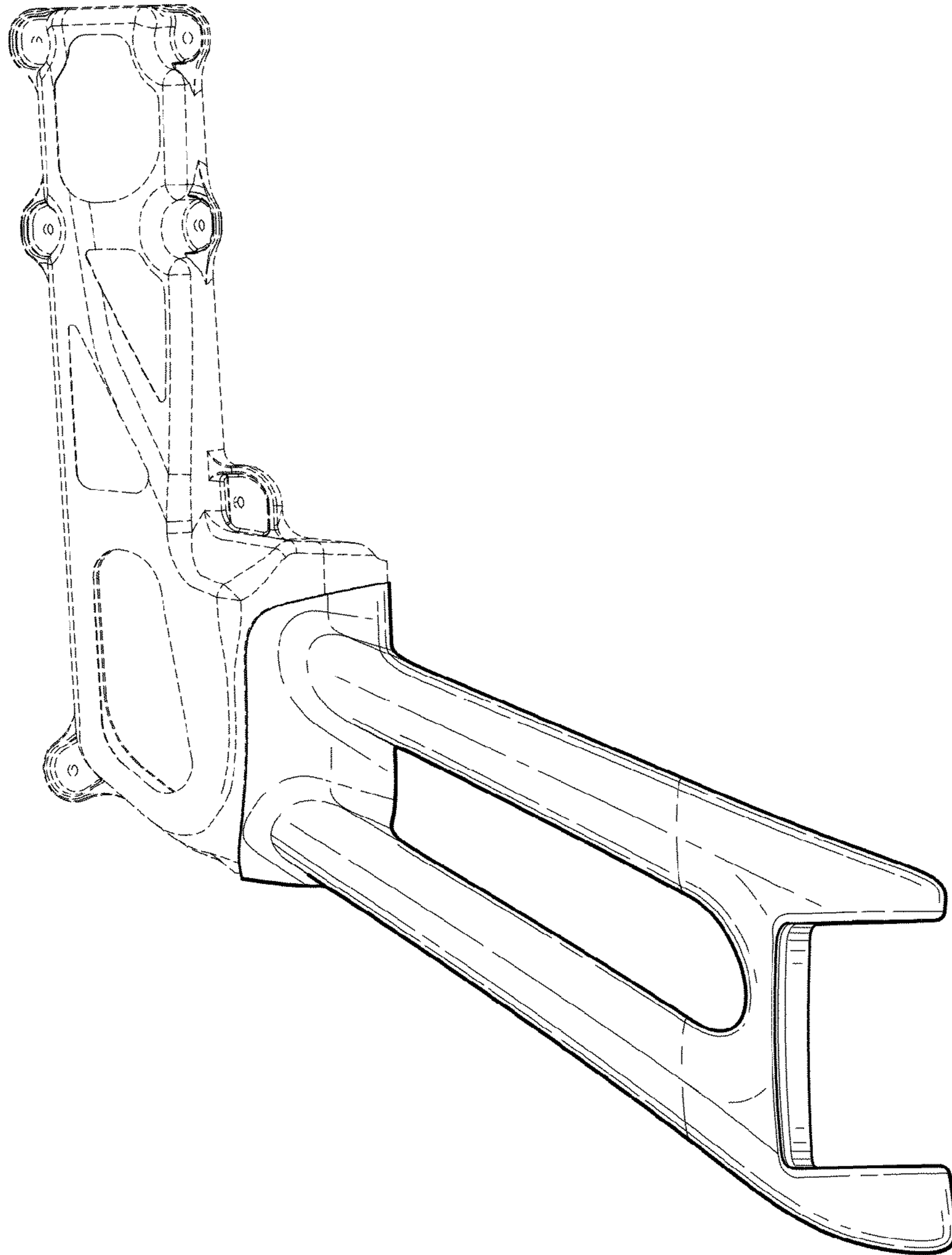


Fig. 3.

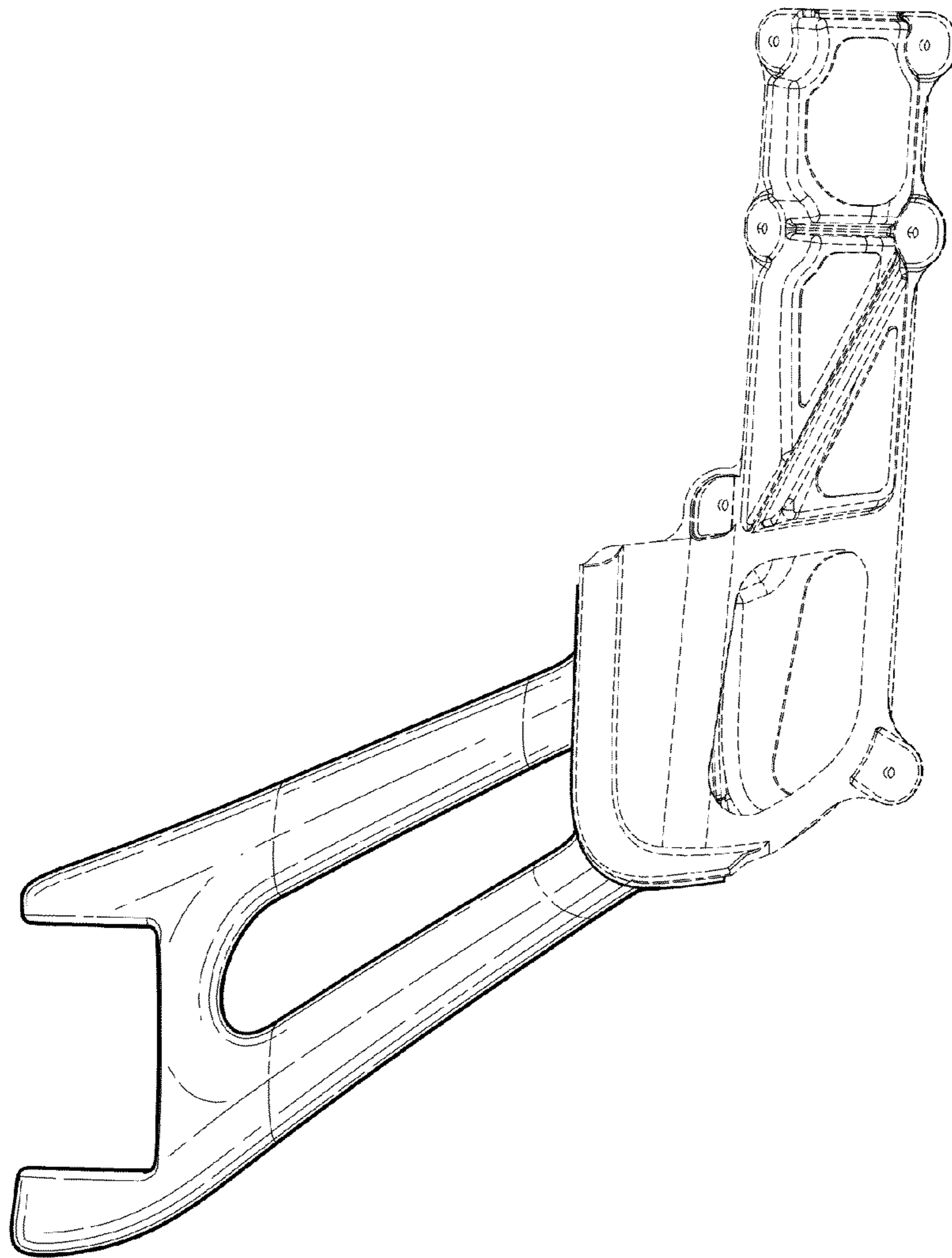


Fig. 4.

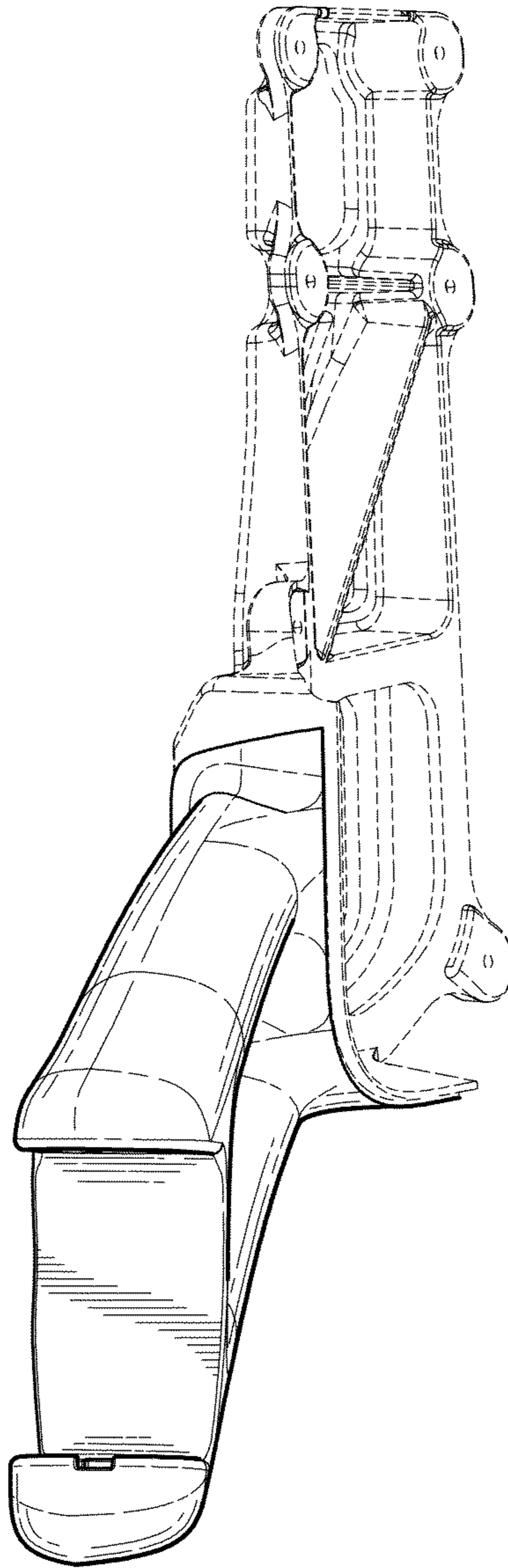


Fig. 5.

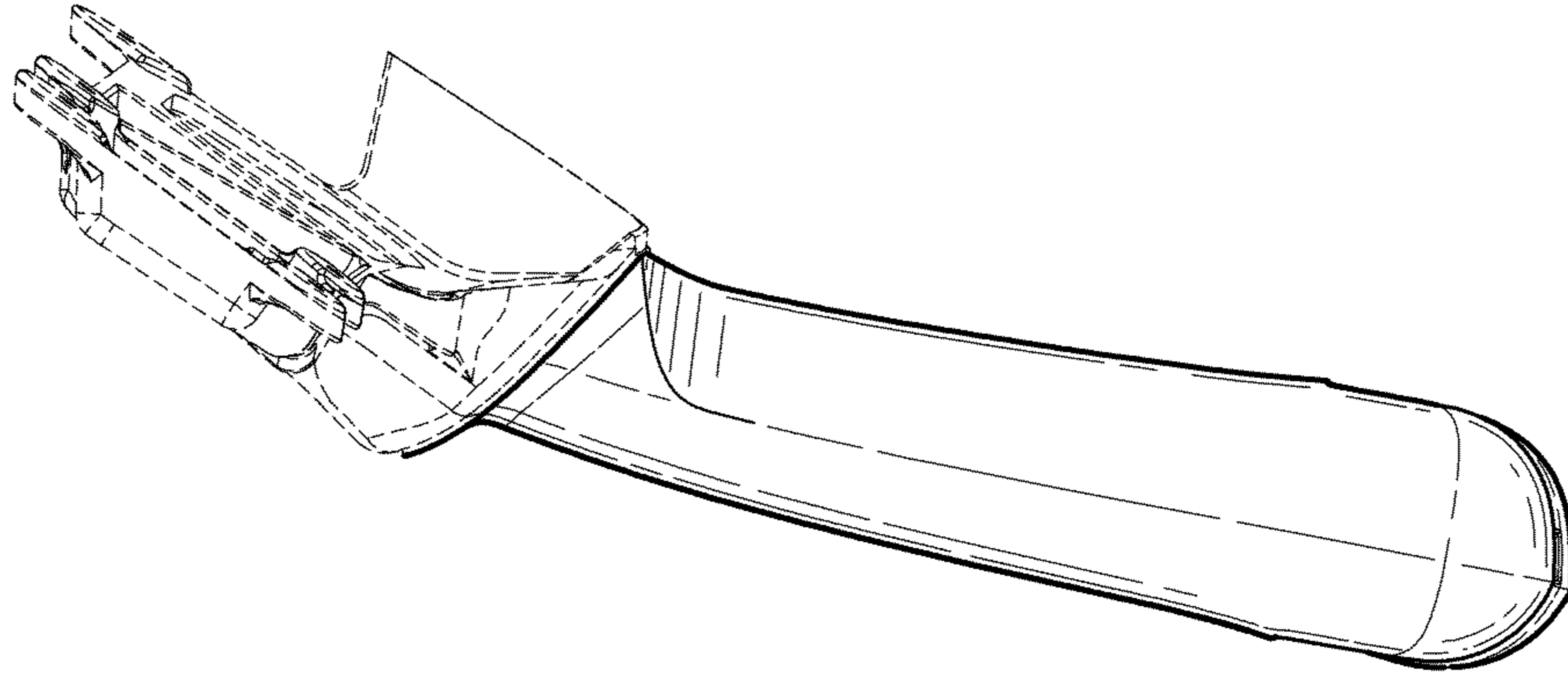


Fig. 6.

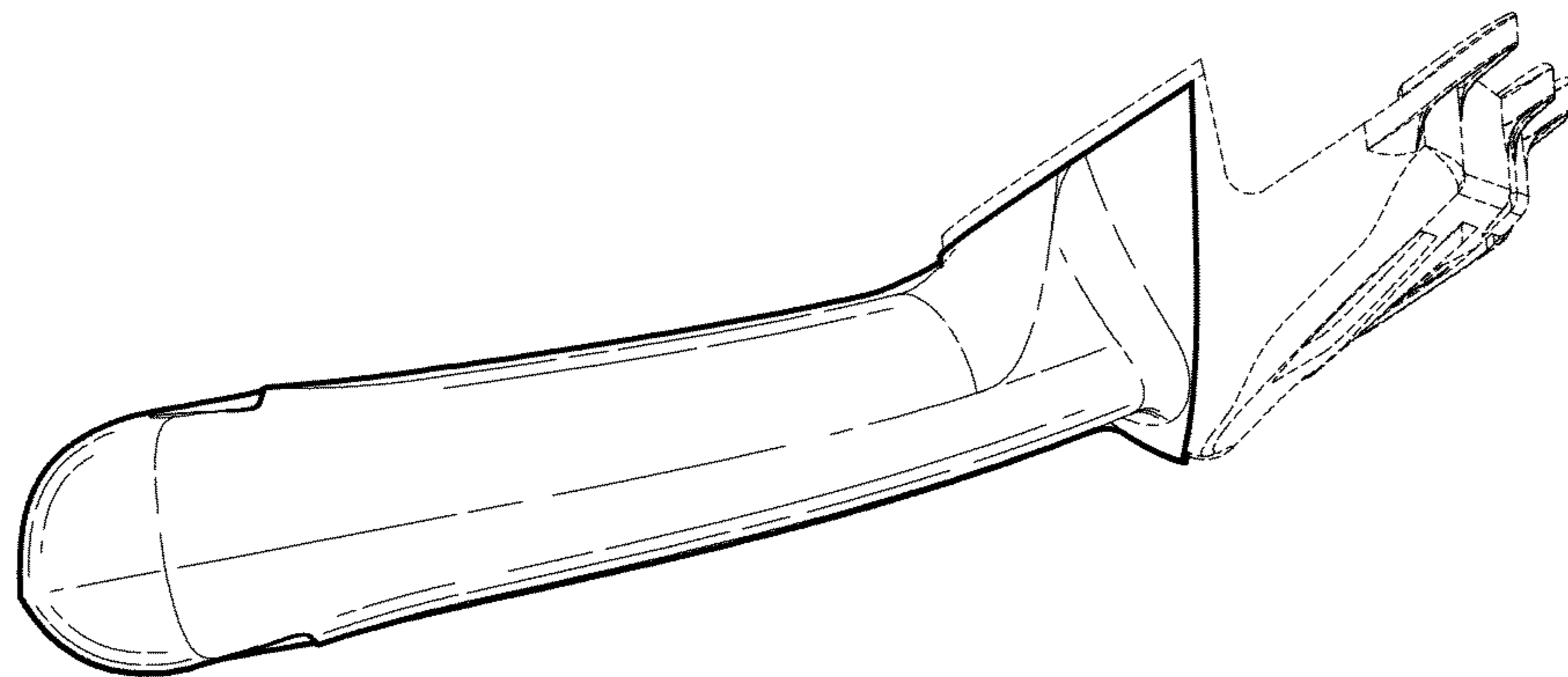


Fig. 7.