



US00D714709S

(12) **United States Design Patent**  
**Bussard et al.**

(10) **Patent No.:** **US D714,709 S**  
(45) **Date of Patent:** **\*\* Oct. 7, 2014**

(54) **WINDSHIELD WIPER STANDOFF**  
(71) Applicant: **Camco Manufacturing, Inc.**,  
Greensboro, NC (US)  
(72) Inventors: **John R. Bussard**, Kernersville, NC  
(US); **Brandon W. Blakely**, Burlington,  
NC (US); **Jeffrey R. Russell**,  
Winston-Salem, NC (US)

6,709,100	B2	*	3/2004	Kalbach	.....	351/156
D642,989	S	*	8/2011	Montena et al.	.....	D13/156
D645,022	S	*	9/2011	Lee et al.	.....	D14/205
D661,256	S	*	6/2012	Shawgo	.....	D13/151
D678,199	S	*	3/2013	Izen et al.	.....	D13/133
D679,660	S	*	4/2013	Haberek et al.	.....	D13/151
D680,963	S	*	4/2013	Purdy	.....	D13/151
D706,117	S	*	6/2014	Toimil et al.	.....	D8/356

(\*\*) Term: **14 Years**

(21) Appl. No.: **29/463,300**

(22) Filed: **Oct. 3, 2013**

(51) **LOC (10) Cl.** ..... **12-06**

(52) **U.S. Cl.**  
USPC ..... **D12/220**

(58) **Field of Classification Search**  
USPC ..... D12/219-220; 15/246, 247, 250.001,  
15/250.4, 250.361, 250.19, 250.48,  
15/250.03, 250.31-250.33, 250.351,  
15/250.38, 250.201, 250.451, 250.458,  
15/250.04, 250.07, 250.44  
See application file for complete search history.

(56) **References Cited**

**U.S. PATENT DOCUMENTS**

5,081,736 A 1/1992 Schon  
5,873,141 A 2/1999 Tackett

**OTHER PUBLICATIONS**

Ref. No. 1, Wiper Buddy from Wiper Buddy website (www.wiperbuddy.com), Sep. 18, 2012, 1 Page.

\* cited by examiner

*Primary Examiner* — Katrina A Betton

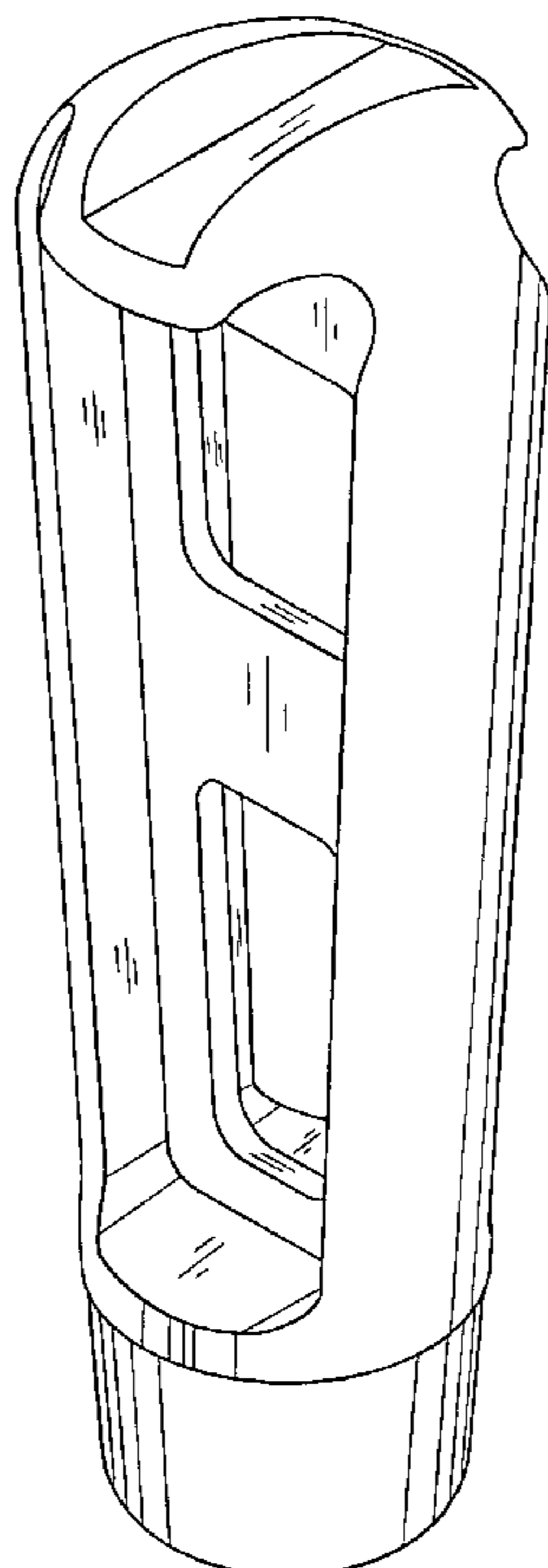
(57) **CLAIM**

The ornamental design for a windshield wiper standoff, as shown and described.

**DESCRIPTION**

FIG. 1 is a front, top, right perspective view of a windshield wiper standoff according to the invention;  
FIG. 2 is a front elevational view with the back elevational view being a mirror image thereof;  
FIG. 3 is a top plan view thereof;  
FIG. 4 is a bottom plan view thereof;  
FIG. 5 is a right elevational view with the left elevational view being a mirror image thereof; and,  
FIG. 6 is a front, bottom, right perspective view thereof.

**1 Claim, 5 Drawing Sheets**



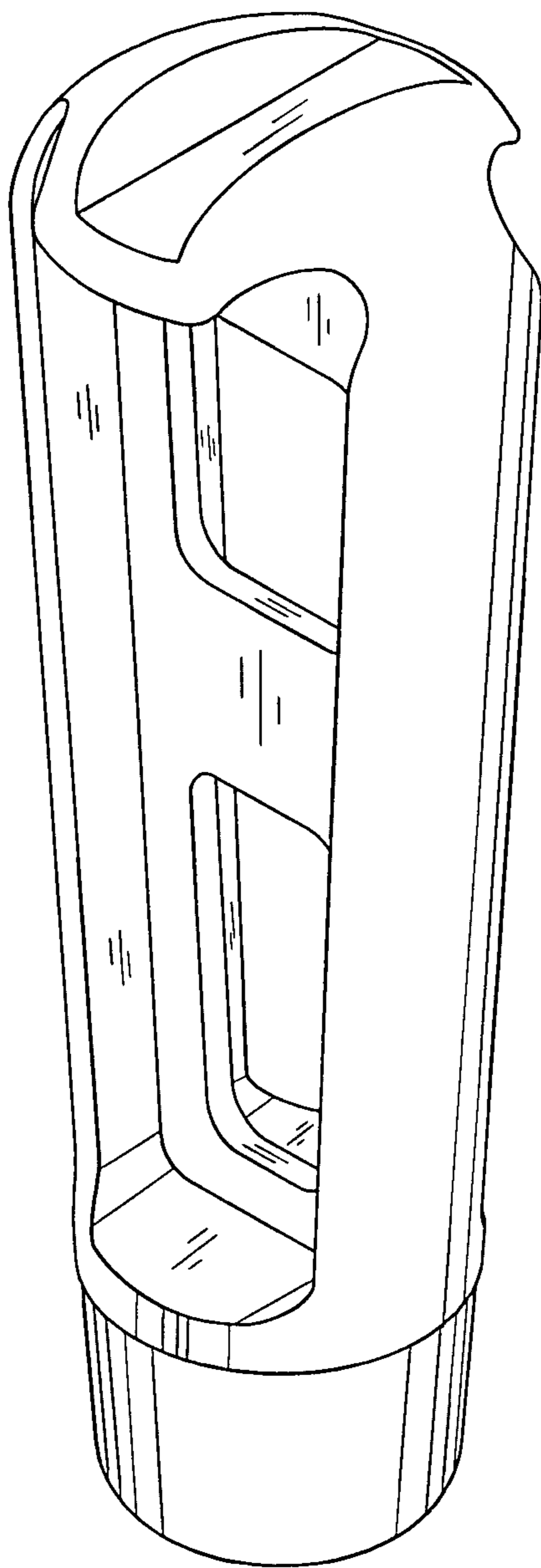


Fig. 1

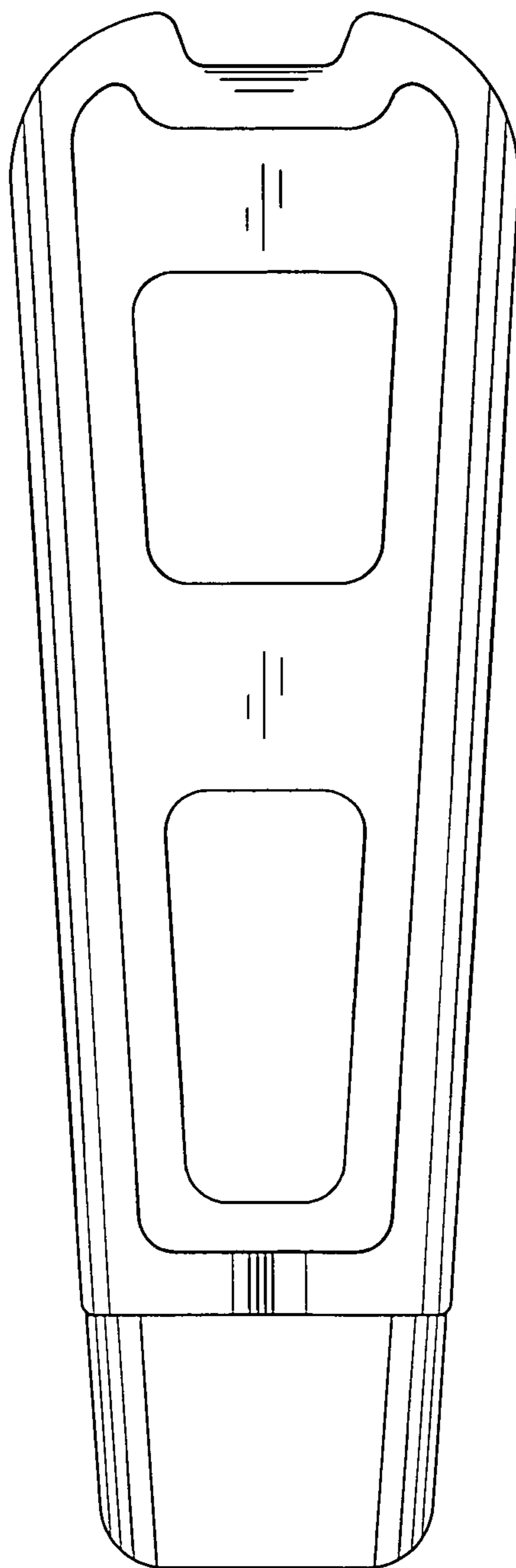


Fig. 2

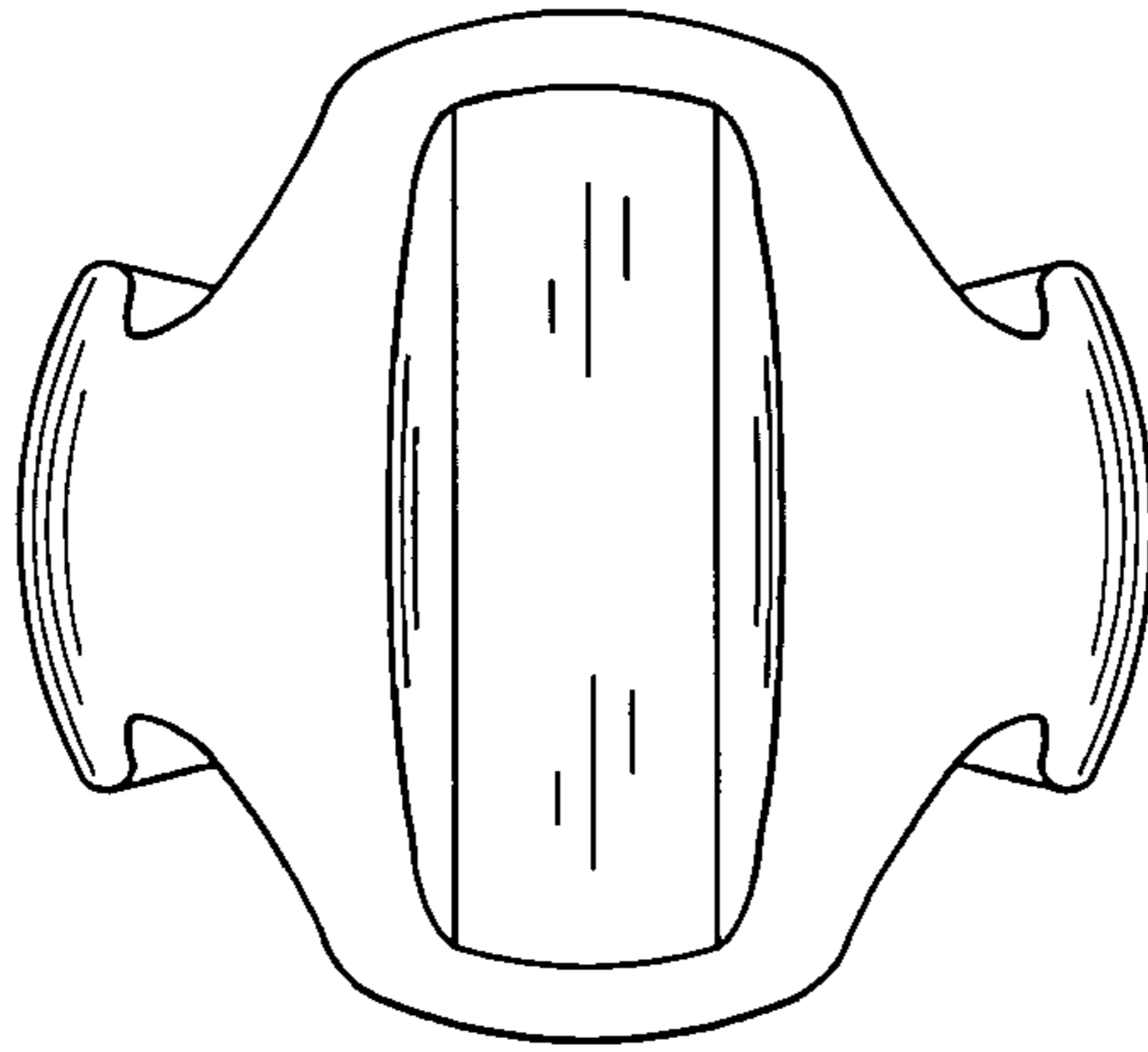


Fig. 3

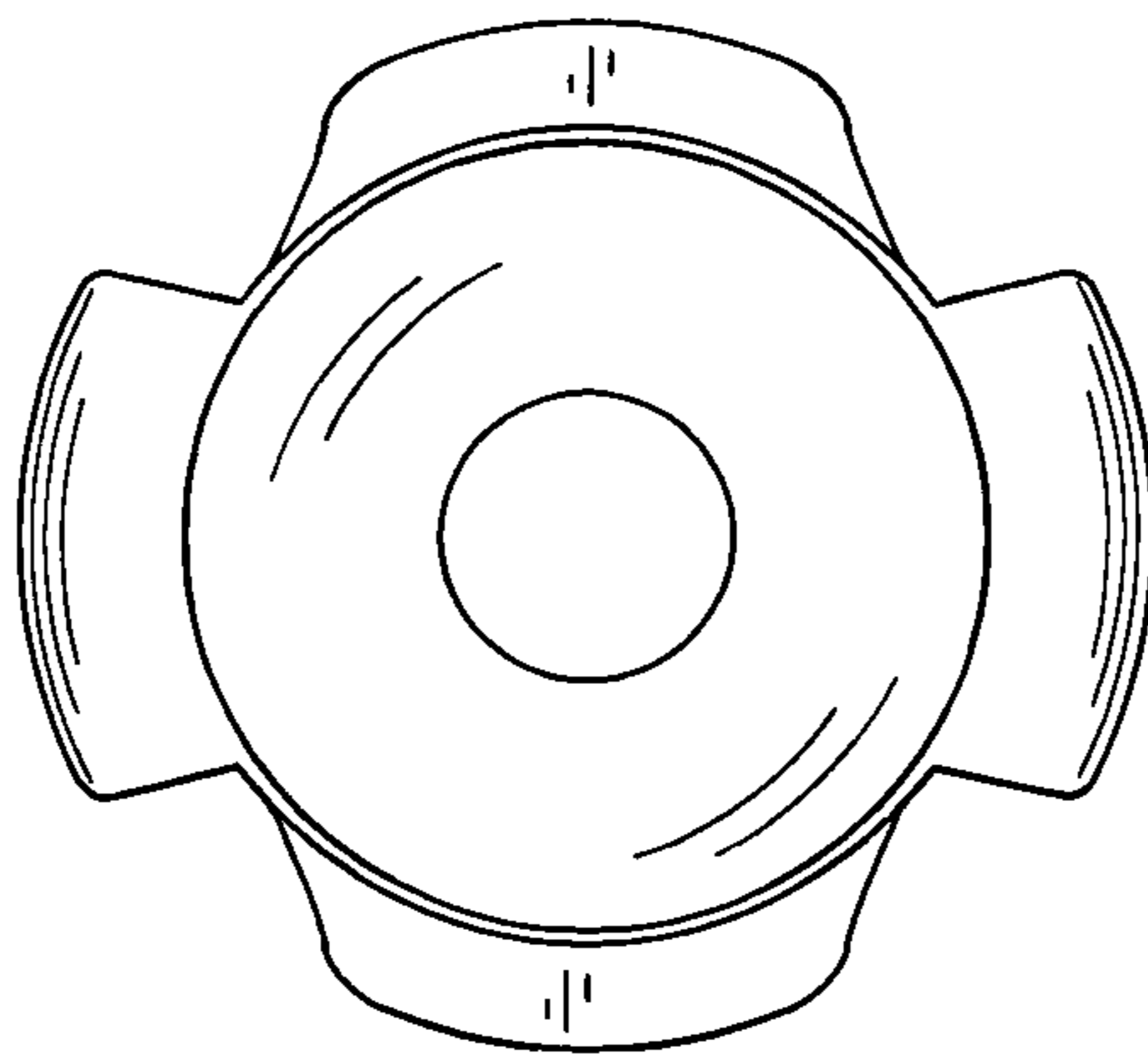


Fig. 4

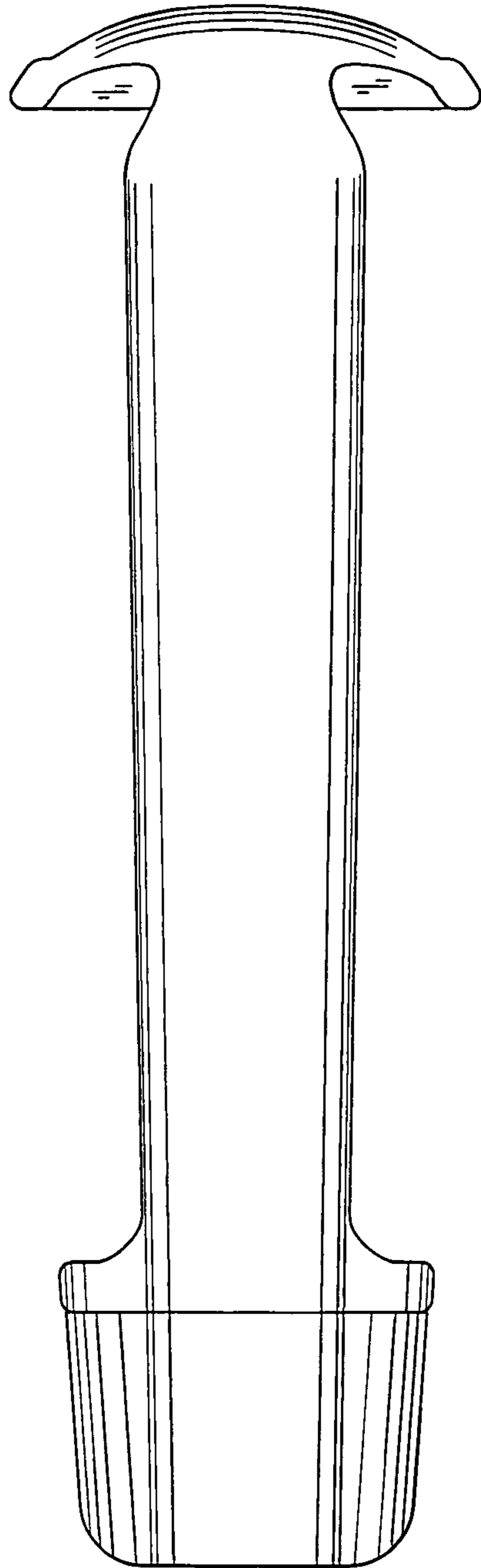


Fig. 5

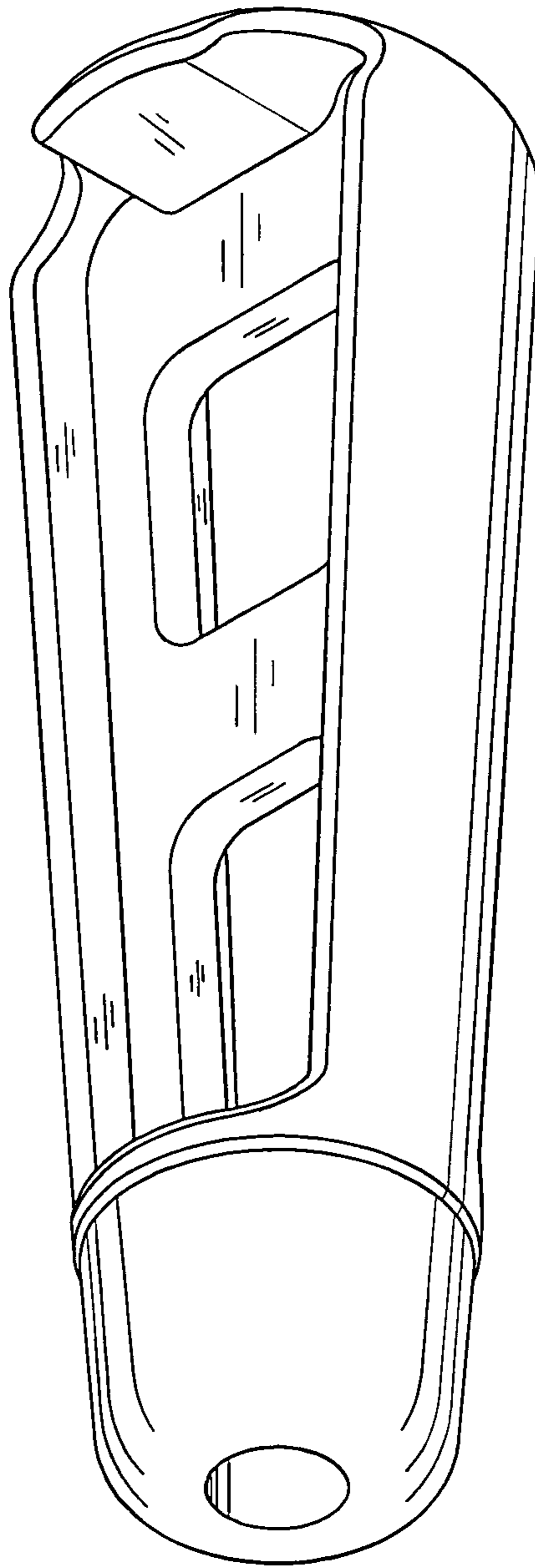


Fig. 6