



US00D714708S

(12) **United States Design Patent**
Chung

(10) **Patent No.:** **US D714,708 S**

(45) **Date of Patent:** **** Oct. 7, 2014**

(54) **AUTOMOTIVE WHEEL**

(71) Applicant: **Suny Chung**, Anaheim, CA (US)

(72) Inventor: **Suny Chung**, Anaheim, CA (US)

(**) Term: **14 Years**

(21) Appl. No.: **29/485,605**

(22) Filed: **Mar. 20, 2014**

(51) **LOC (10) Cl.** **12-16**

(52) **U.S. Cl.**
USPC **D12/211**

(58) **Field of Classification Search**
CPC B60B 7/00; B60B 7/02; B60B 7/04;
B60B 7/01; B60B 7/06; B60B 3/04; B60B
3/10; B60B 3/06; B60B 3/02; B60B 1/00;
B60B 1/10; B60B 1/08; B60B 1/12
USPC D12/204-213
See application file for complete search history.

(56) **References Cited**

U.S. PATENT DOCUMENTS

D45,810 S * 5/1914 Kettler D12/208
D423,445 S * 4/2000 Baumgartner D12/211

D456,332 S * 4/2002 Vian D12/211
D543,922 S * 6/2007 Young D12/209
D582,830 S * 12/2008 Musser D12/211
D625,242 S * 10/2010 Zhao D12/211
D660,220 S * 5/2012 Chan D12/211
D671,483 S * 11/2012 Chung D12/211
D680,940 S * 4/2013 Hale, Jr. D12/211
D704,121 S * 5/2014 Chung D12/211
D704,122 S * 5/2014 Chung D12/211

* cited by examiner

Primary Examiner — Stacia Cadmus

(57) **CLAIM**

The ornamental design for an automotive wheel, as shown and described.

DESCRIPTION

FIG. 1 is a perspective view of an automotive wheel, showing my new design; and, FIG. 2 is a front view thereof. The broken line showing of the rear portion of the wheel is included for the purpose of illustrating environment and forms no part of the claimed design.

1 Claim, 2 Drawing Sheets

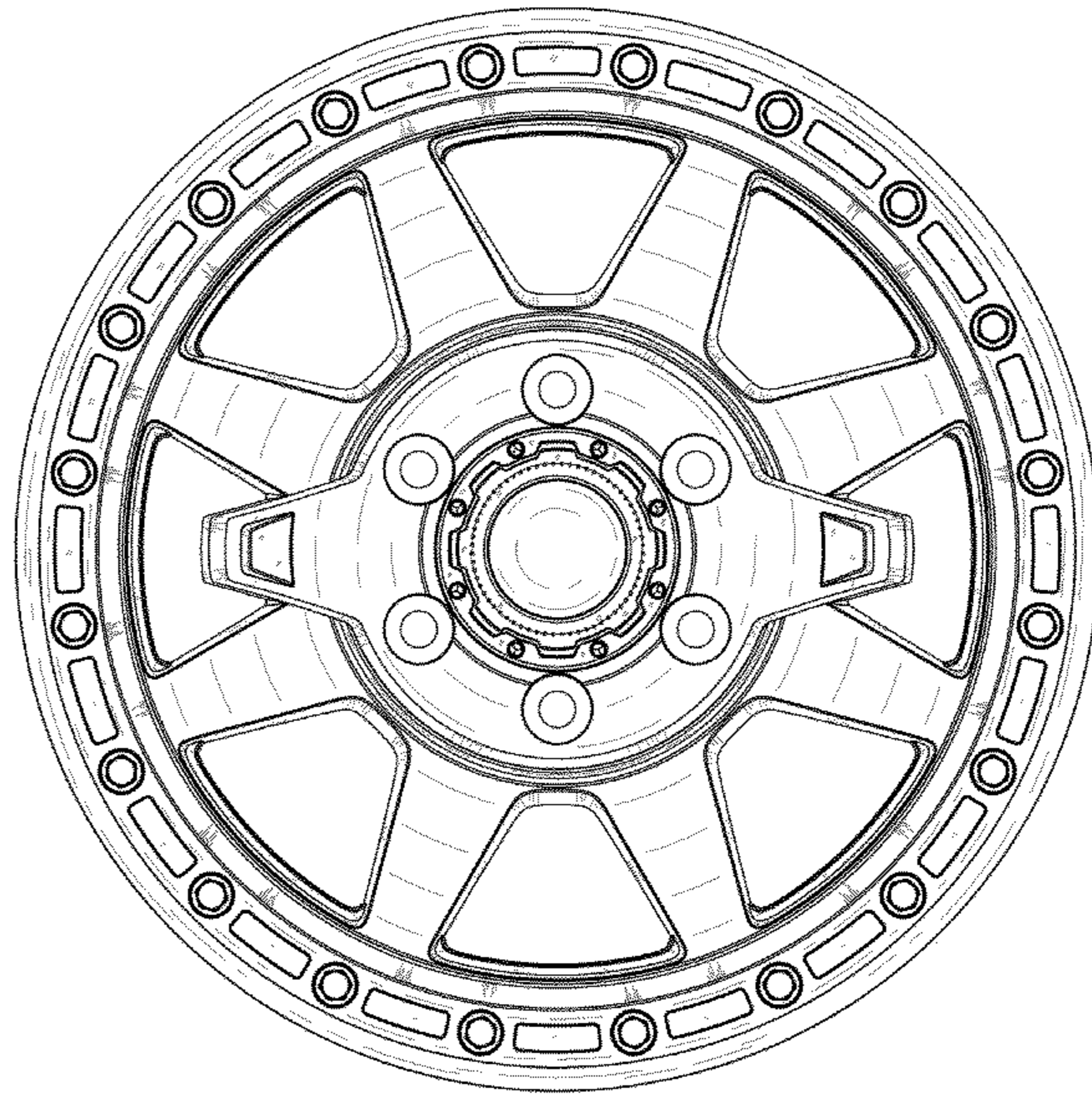
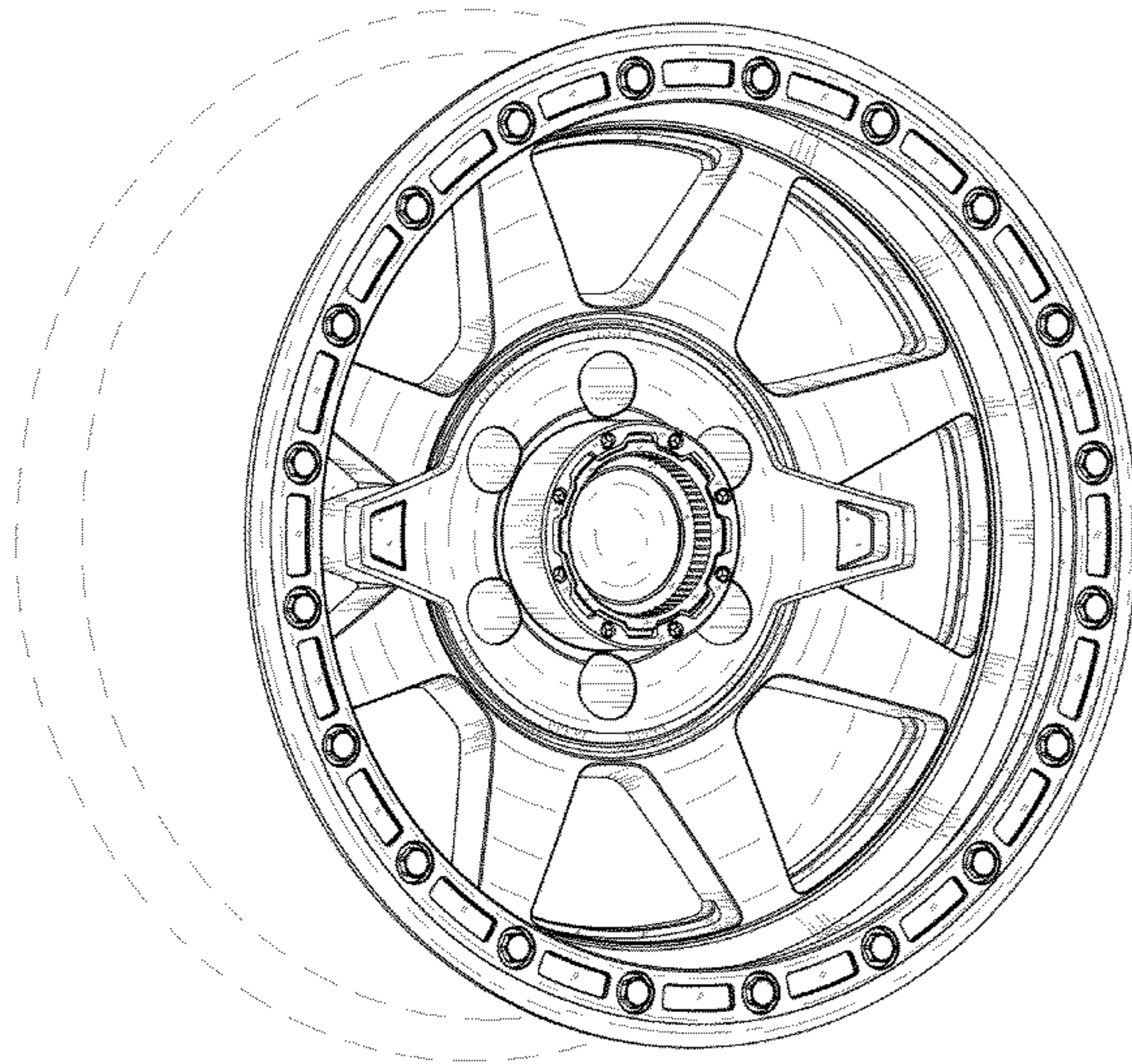


FIGURE 1

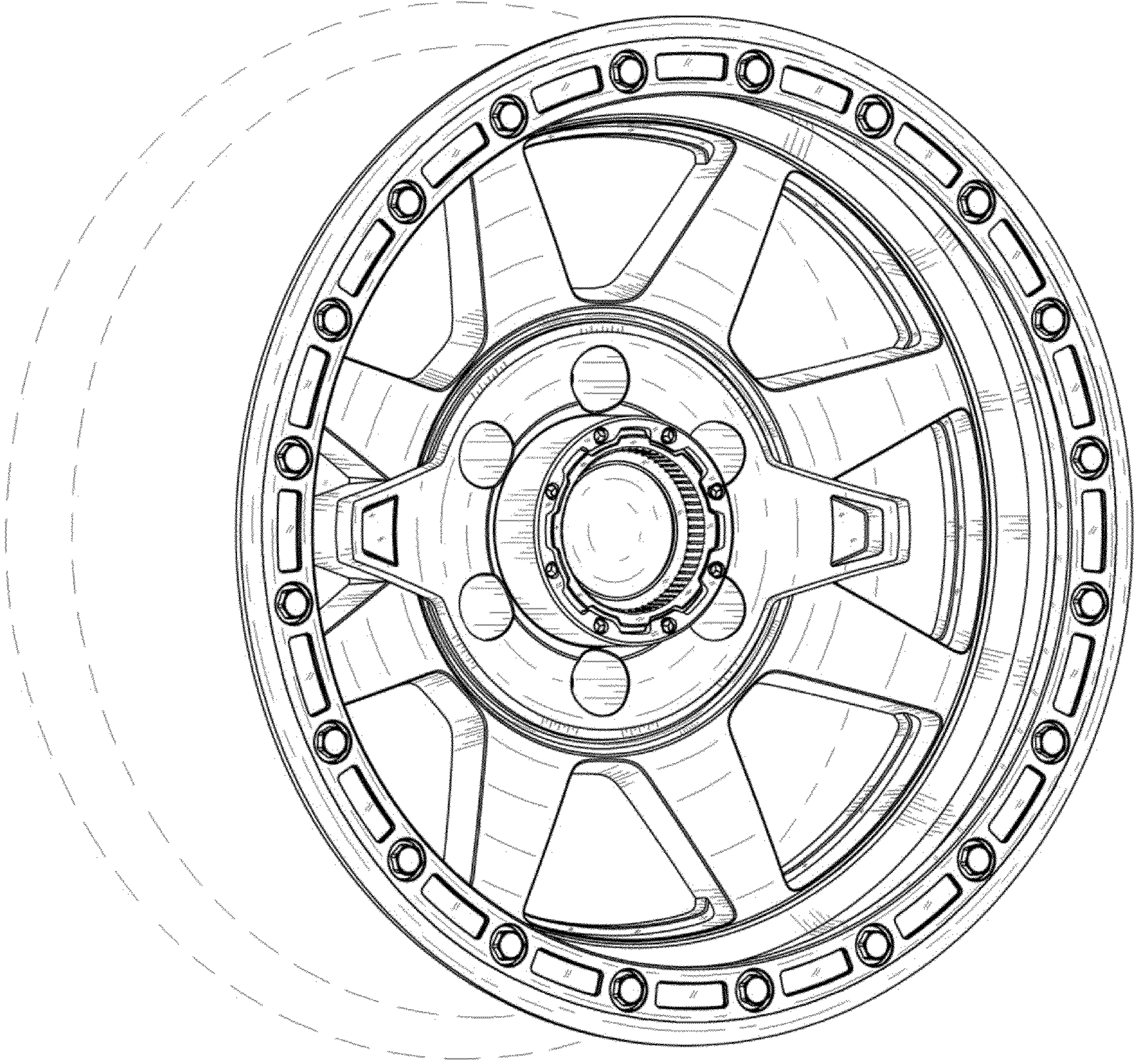


FIGURE 2

