



US00D714704S

(12) **United States Design Patent**
Kim

(10) **Patent No.:** **US D714,704 S**
(45) **Date of Patent:** **** Oct. 7, 2014**

(54) **AUTOMOTIVE WHEEL**

(71) Applicant: **Paul J. Kim**, City of Industry, CA (US)

(72) Inventor: **Paul J. Kim**, City of Industry, CA (US)

(73) Assignee: **The Wheel Group**, Industry, CA (US)

(**) Term: **14 Years**

(21) Appl. No.: **29/463,776**

(22) Filed: **Mar. 4, 2014**

(51) **LOC (10) Cl.** **12-16**

(52) **U.S. Cl.**
USPC **D12/211**

(58) **Field of Classification Search**
CPC B60B 7/00; B60B 7/02; B60B 7/04;
B60B 7/01; B60B 7/06; B60B 3/02; B60B
3/04; B60B 3/06; B60B 3/10; B60B 1/00;
B60B 1/08; B60B 1/10; B60B 1/12
USPC D12/204-213
See application file for complete search history.

(56) **References Cited**

U.S. PATENT DOCUMENTS

D361,547 S * 8/1995 Weld D12/211
D391,215 S * 2/1998 Cervati D12/209

D482,308 S * 11/2003 Lee D12/211
D509,175 S * 9/2005 Marji D12/209
D584,674 S * 1/2009 Chung D12/211
D631,815 S * 2/2011 Foose D12/211
D656,448 S * 3/2012 Zhao D12/211
D659,071 S * 5/2012 Hale, Jr. D12/211
D670,633 S * 11/2012 Kato et al. D12/211
D677,207 S * 3/2013 Gotschke D12/209
D695,200 S * 12/2013 Zhao D12/211
D697,860 S * 1/2014 Borkert D12/211
D701,481 S * 3/2014 Chung D12/211
D706,199 S * 6/2014 Chung D12/211
D709,018 S * 7/2014 Chung D12/211

* cited by examiner

Primary Examiner — Stacia Cadmus

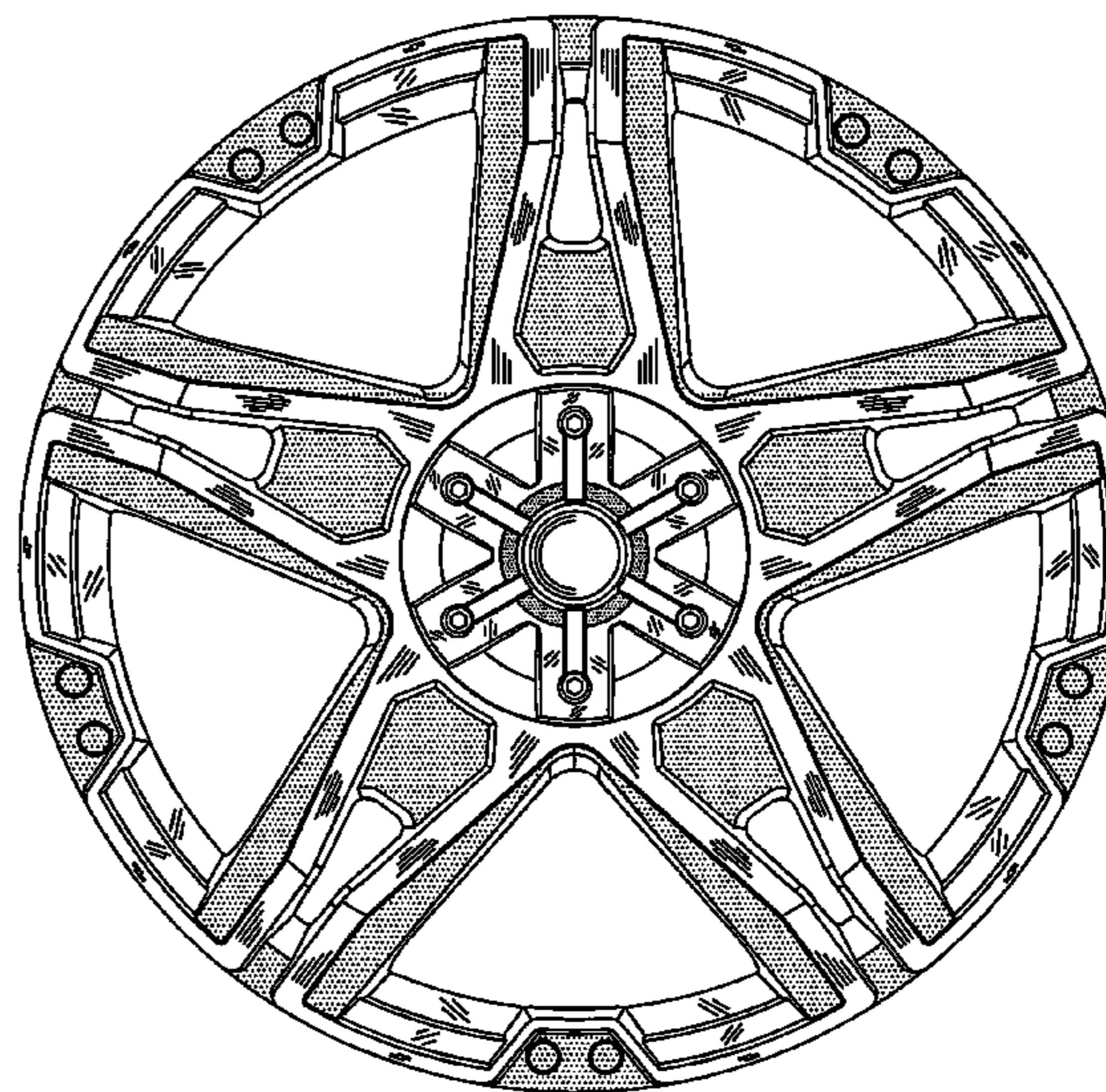
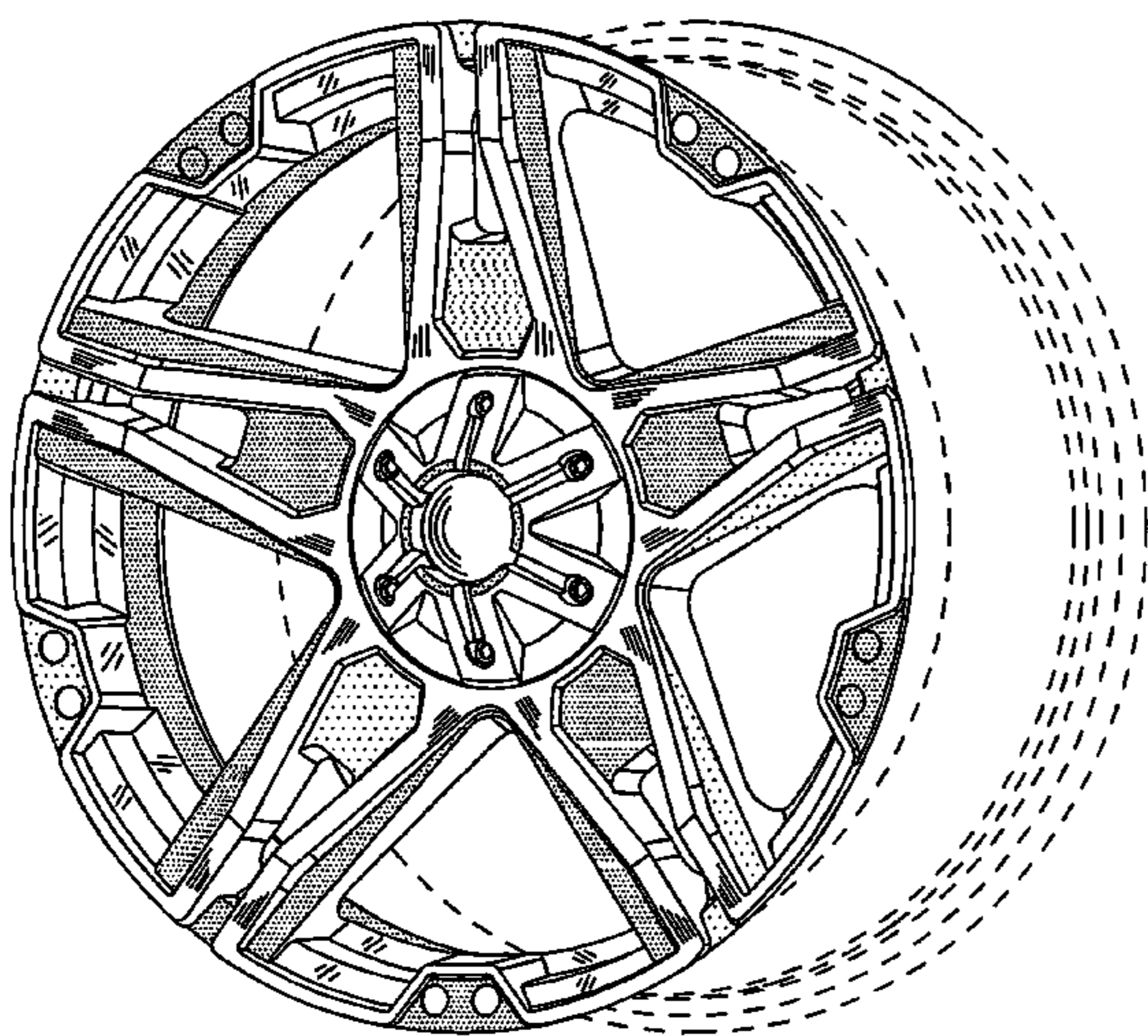
(57) **CLAIM**

The ornamental design for an automotive wheel, as shown and described.

DESCRIPTION

FIG. 1 is a perspective view of an automotive wheel front face showing my new design; and, FIG. 2 is a front elevational view thereof. The broken line showing of the rear of the wheel rim is included for the purpose of illustrating environment and forms no part of the claimed design.

1 Claim, 2 Drawing Sheets



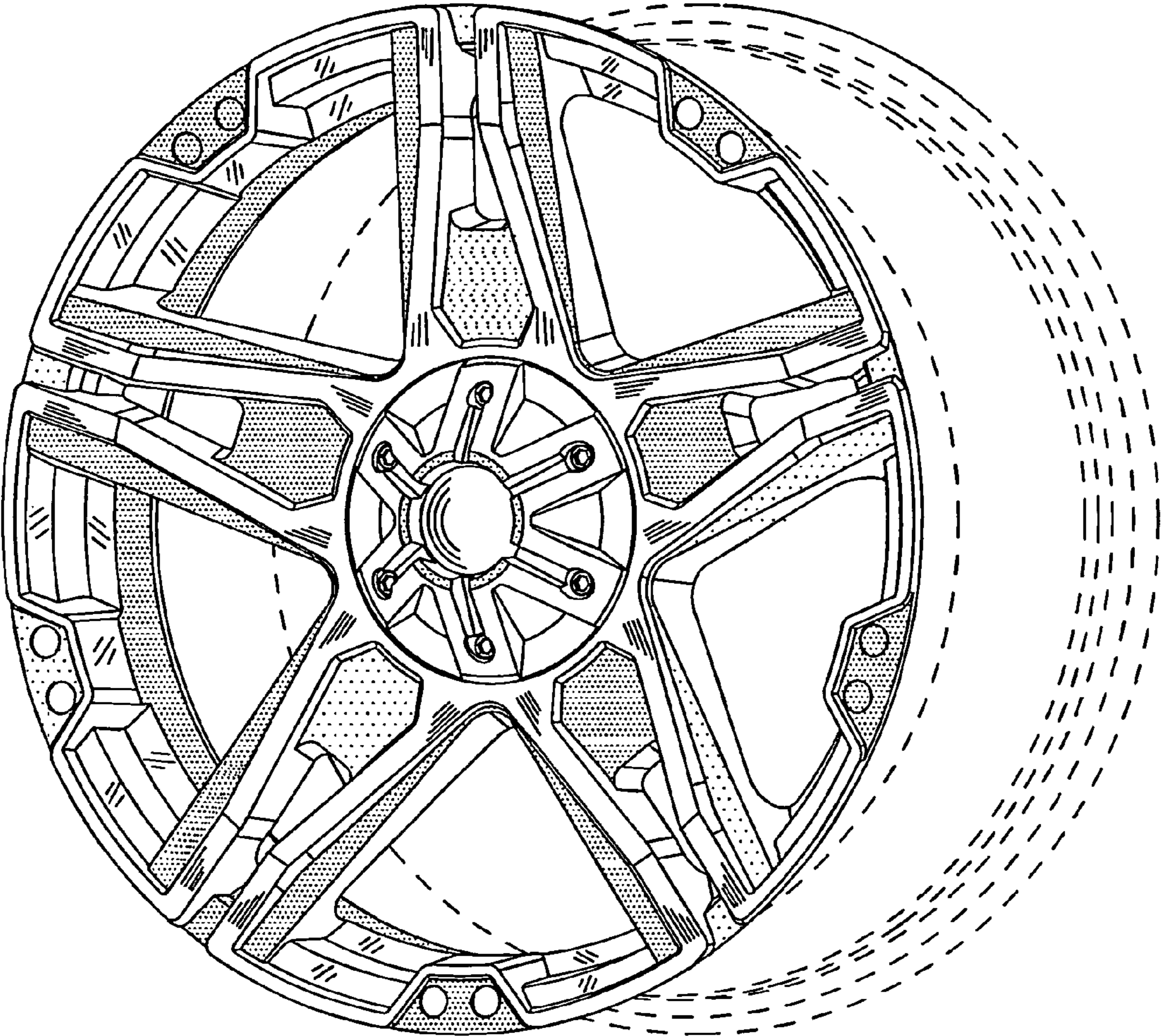


FIG.1

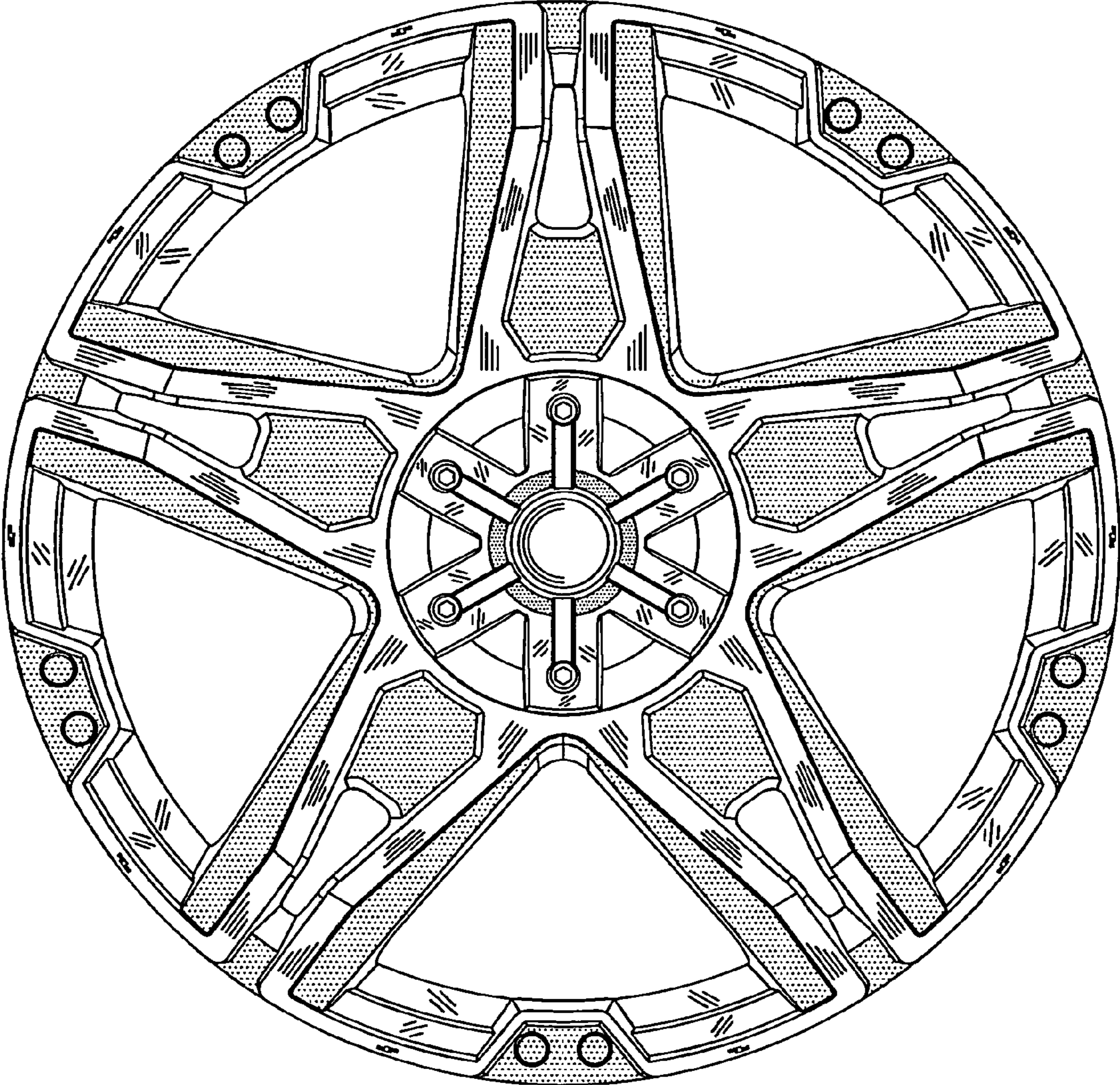


FIG.2